



US00D902080S

(12) **United States Design Patent** (10) **Patent No.:** **US D902,080 S**
Lim et al. (45) **Date of Patent:** **** Nov. 17, 2020**

(54) **AUTOMOTIVE VEHICLE**

(56) **References Cited**

(71) Applicant: **KARMA AUTOMOTIVE LLC**,
Irvine, CA (US)

U.S. PATENT DOCUMENTS

(72) Inventors: **Samuel Floro Lim**, Irvine, CA (US);
Raul M. Cenan, Marina Del Rey, CA
(US); **Alexander Klatt**, Irvine, CA
(US); **Andreas Thurner**, Irvine, CA
(US); **Andre Franco Luis**, Irvine, CA
(US)

D786,135 S *	5/2017	Burki	D12/92
D809,972 S *	2/2018	Fisker	D12/92
D864,789 S *	10/2019	Lee	D12/92
D865,568 S *	11/2019	Burki	D12/92
D868,630 S *	12/2019	Burki	D12/92
D877,658 S *	3/2020	Burki	D12/91

(73) Assignee: **Karma Automotive LLC**, Irvine, CA
(US)

* cited by examiner

Primary Examiner — Melody N Brown

(**) Term: **15 Years**

(74) *Attorney, Agent, or Firm* — Gordon Rees Scully
Mansukhani, LLP

(21) Appl. No.: **29/677,972**

(57) **CLAIM**

The ornamental design for an automotive vehicle, as shown
and described.

(22) Filed: **Jan. 24, 2019**

DESCRIPTION

(51) **LOC (12) Cl.** **12-08**

(52) **U.S. Cl.**
USPC **D12/91**

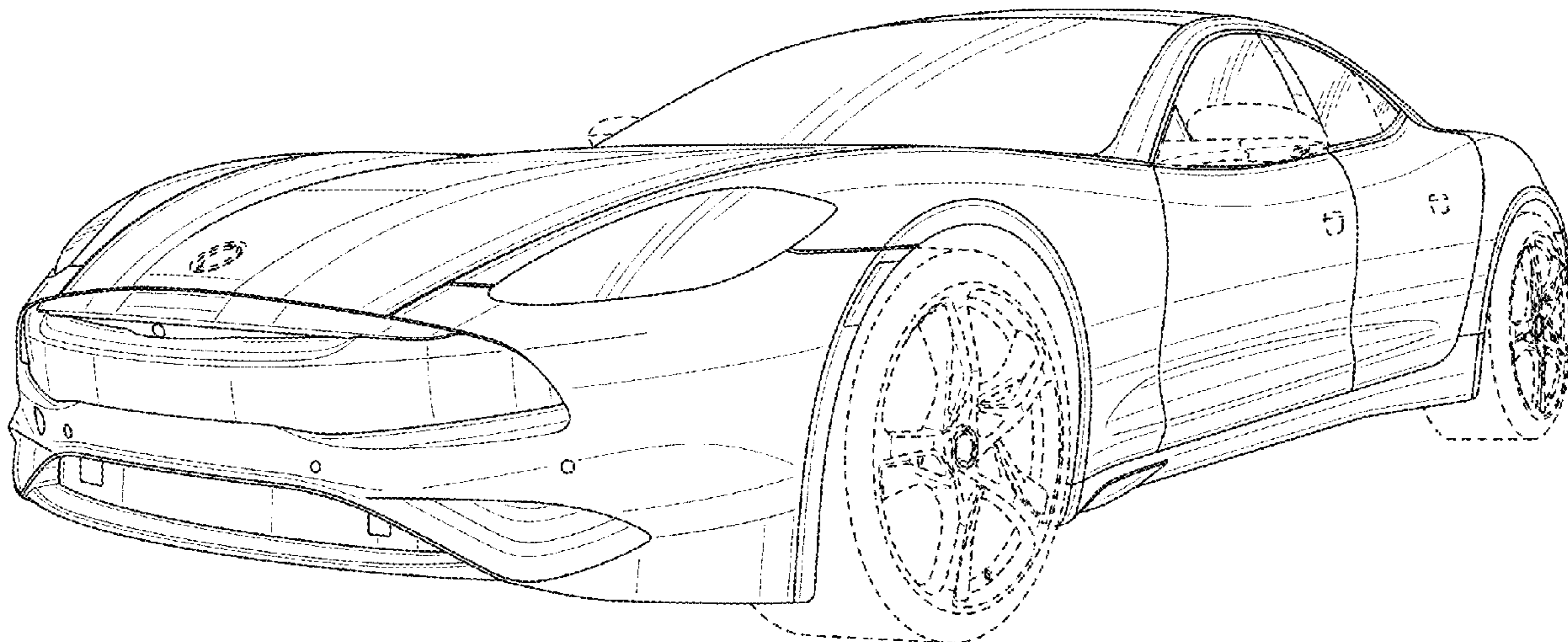
(58) **Field of Classification Search**
USPC D12/86, 90-92, 88, 164; D21/424, 433,
D21/434; 296/181.1-181.5, 183.1
CPC B62D 25/00; B62D 25/06; B62D 33/00;
B62D 35/00

FIG. 1 is a front and left side perspective view of an
automotive vehicle showing our new design;
FIG. 2 is a front elevational view thereof;
FIG. 3 is a rear elevational view thereof;
FIG. 4 is a right side elevational view thereof;
FIG. 5 is a left side elevational view thereof; and,
FIG. 6 is top plan view thereof.

The broken lines shown throughout the drawing views are
for environmental and illustrative purposes and form no part
of the claimed design.

See application file for complete search history.

1 Claim, 6 Drawing Sheets



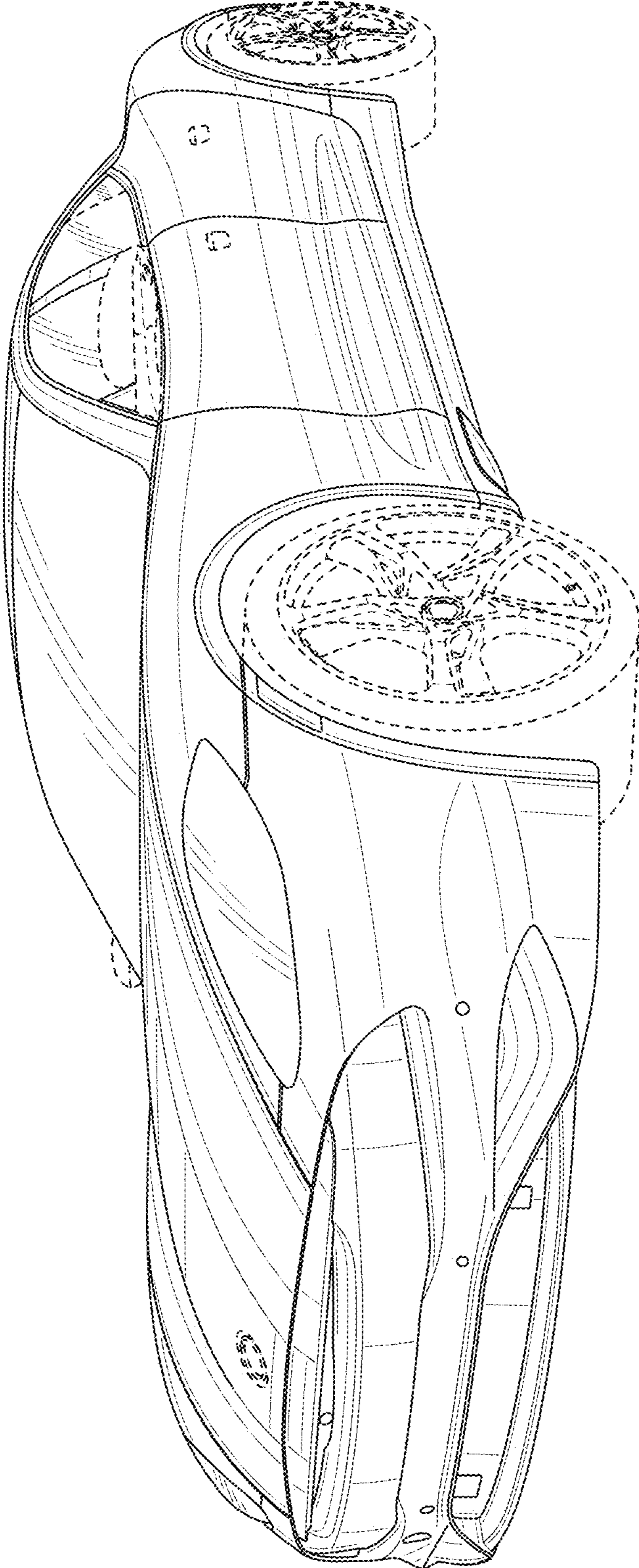


FIG. 1

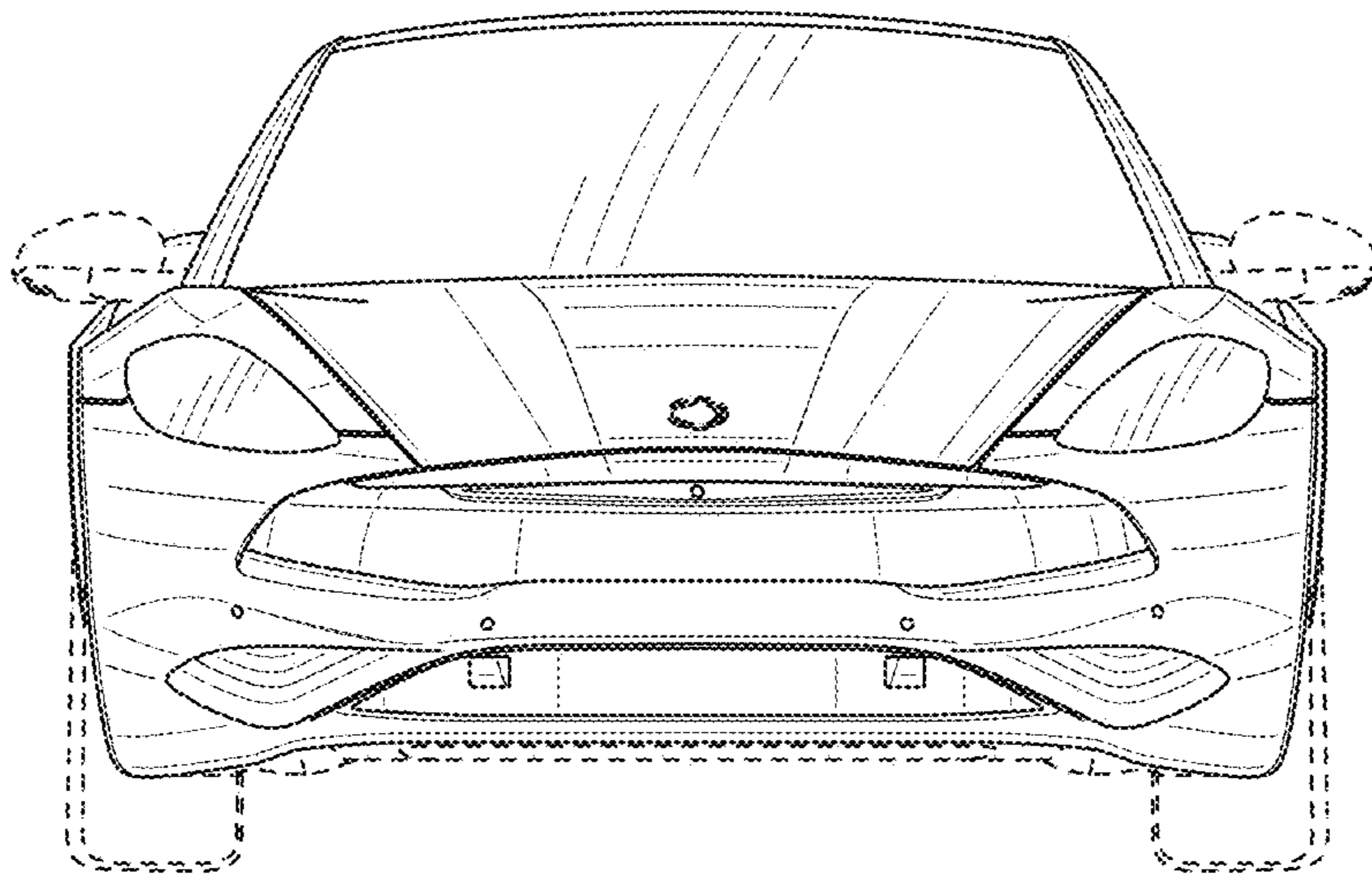


FIG. 2

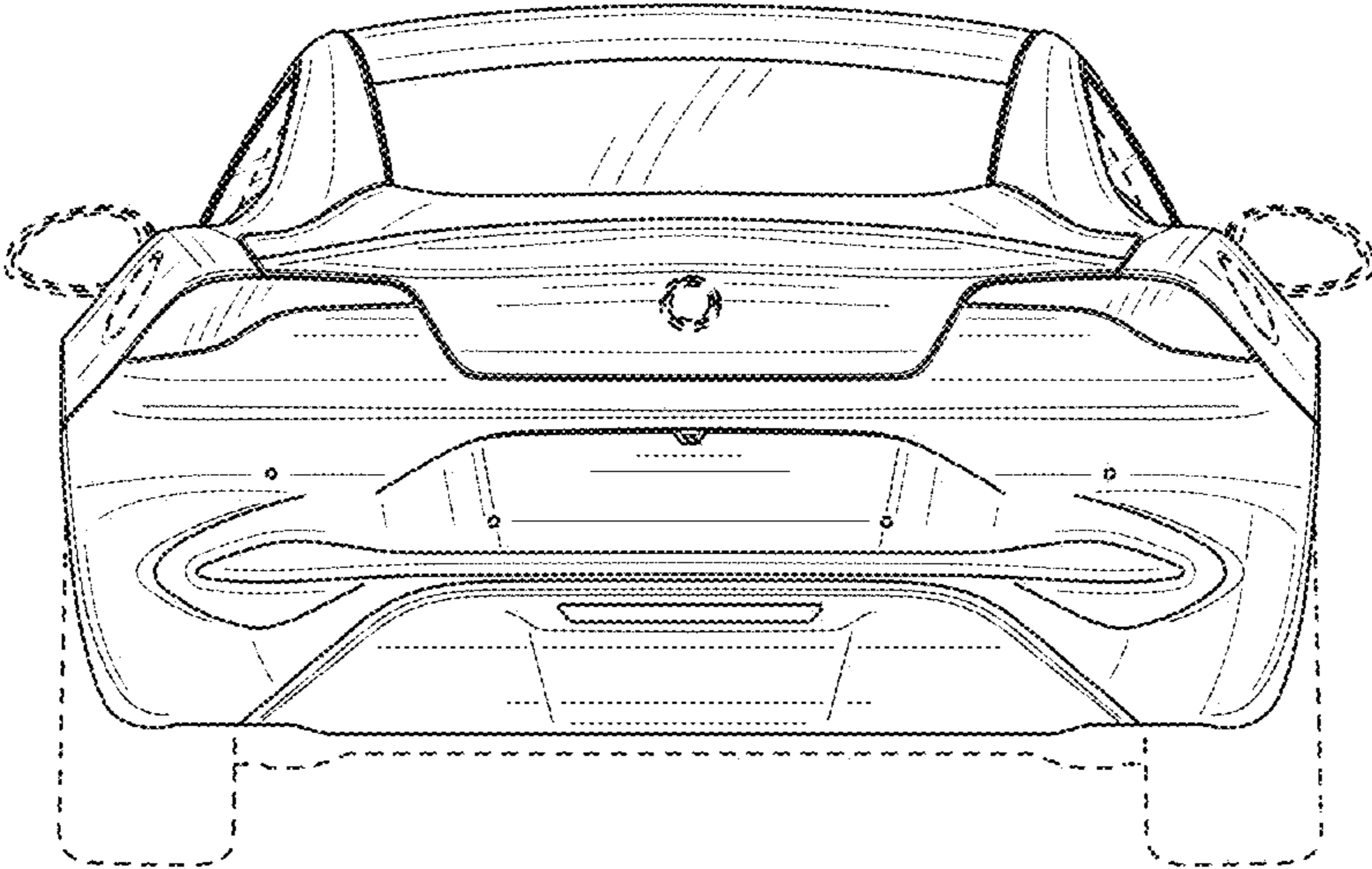


FIG. 3

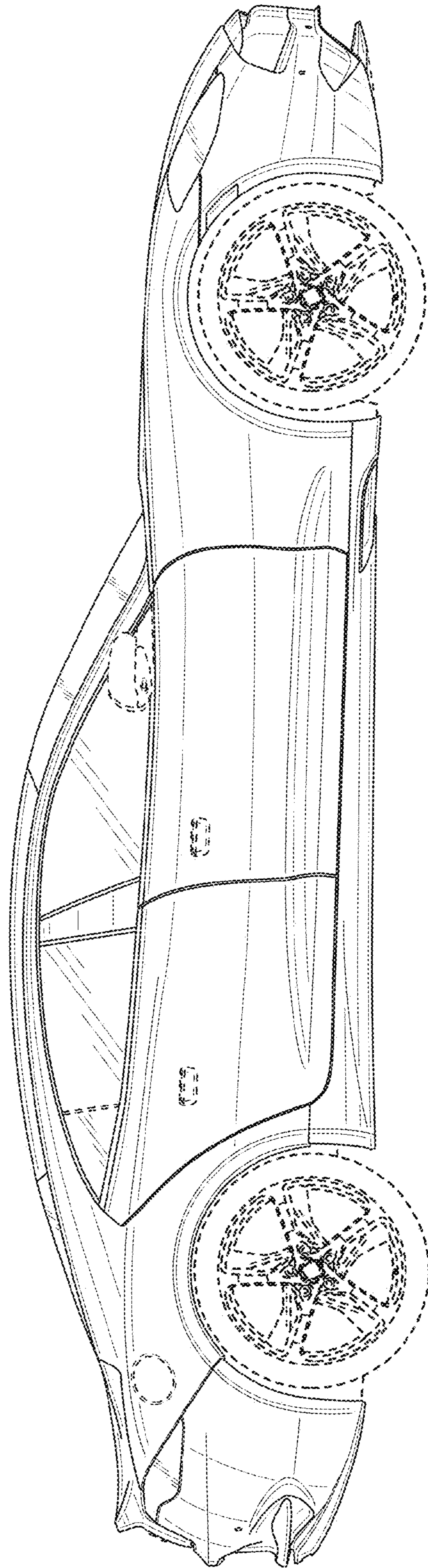


FIG. 4

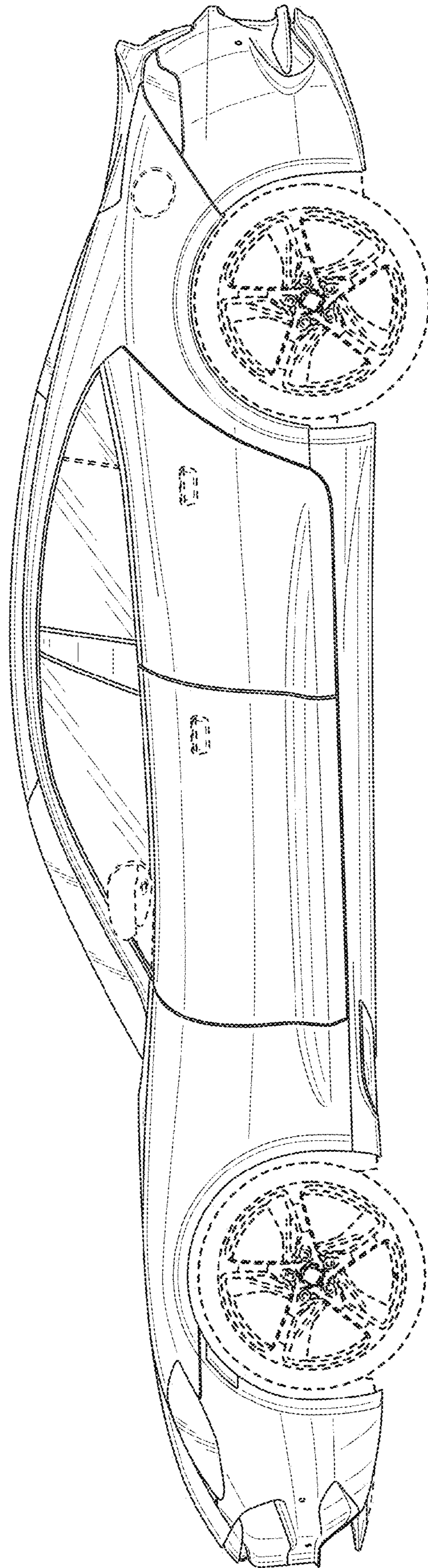


FIG. 5

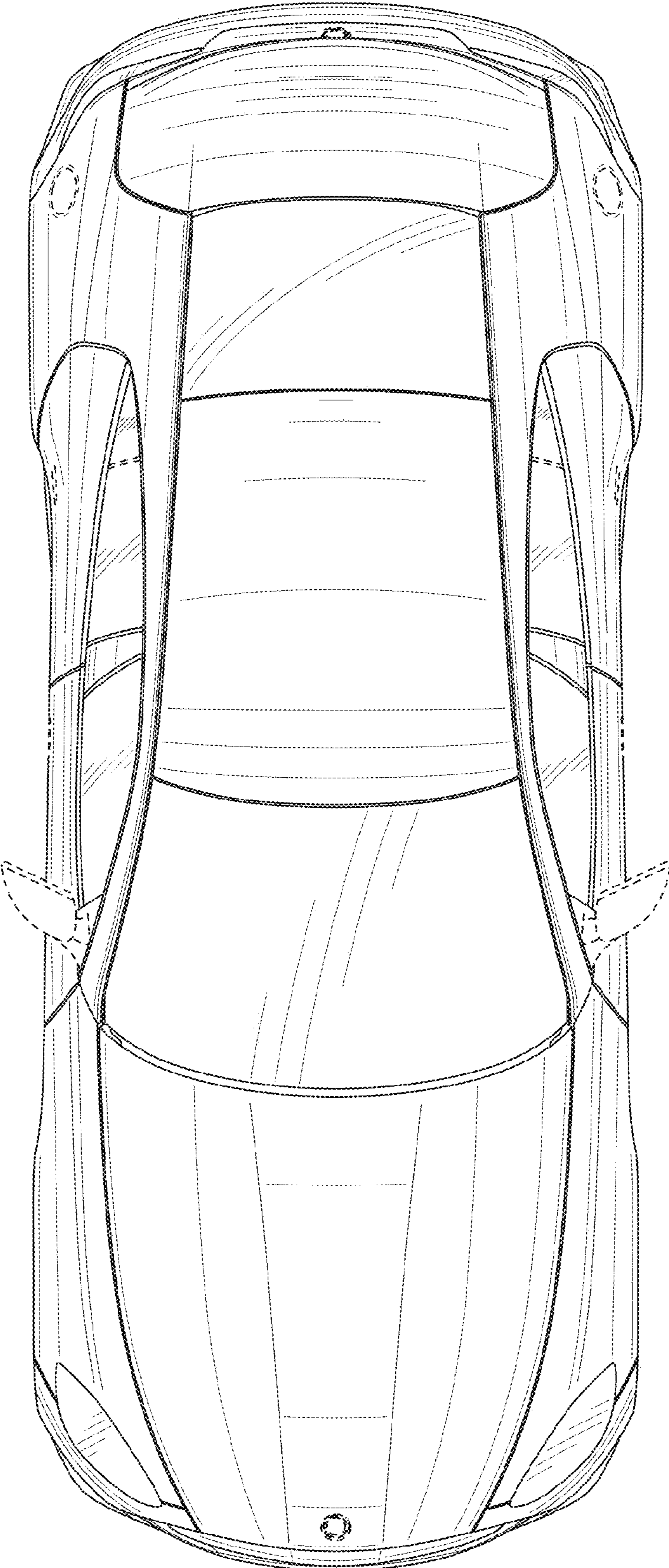


FIG. 6