



US00D902077S

(12) **United States Design Patent**
Wang

(10) **Patent No.:** **US D902,077 S**

(45) **Date of Patent:** **** Nov. 17, 2020**

(54) **SELF-BALANCING BOARD**

(71) Applicant: **Chengjia Wang**, Los Angeles, CA (US)

(72) Inventor: **Chengjia Wang**, Los Angeles, CA (US)

(**) Term: **15 Years**

(21) Appl. No.: **29/680,143**

(22) Filed: **Feb. 13, 2019**

(51) **LOC (12) Cl.** **12-14**

(52) **U.S. Cl.**

USPC **D12/1; D21/760**

(58) **Field of Classification Search**

USPC D12/1, 107; D21/419, 763, 421, 423,
D21/426, 760, 765, 766, 769, 771, 776,
D21/803

CPC A63C 17/01; A63C 17/12; A63C 2203/00;
A63C 2203/01; A63C 2203/012; A63C
2203/013; A63C 2203/40; A63C 2203/52;
A63C 17/0033; A63C 17/016; A63C
17/08; B62D 51/02; B62D 51/001; B62D
61/00; B62D 37/00; B62K 2202/00;
B62K 2207/00; B62K 2207/02; B62K
2207/04; B62K 3/007; B62K 17/00;
B62K 11/007; B60N 2/002; B60G 17/019

See application file for complete search history.

(56) **References Cited**

U.S. PATENT DOCUMENTS

D785,736 S * 5/2017 Ying D21/760
D808,857 S * 1/2018 Zhang D12/1

D817,811 S * 5/2018 Wang D12/1
D837,322 S * 1/2019 Desberg D21/760
D850,326 S * 6/2019 Ying D12/1
D857,137 S * 8/2019 Cao D21/760
D871,965 S * 1/2020 Cao D12/1
2018/0127047 A1* 5/2018 Lankford B62K 11/007
2019/0382065 A1* 12/2019 Shang B62J 99/00

* cited by examiner

Primary Examiner — Ania Aman

(74) *Attorney, Agent, or Firm* — Che-Yang Chen; Law
Office of Michael Chen

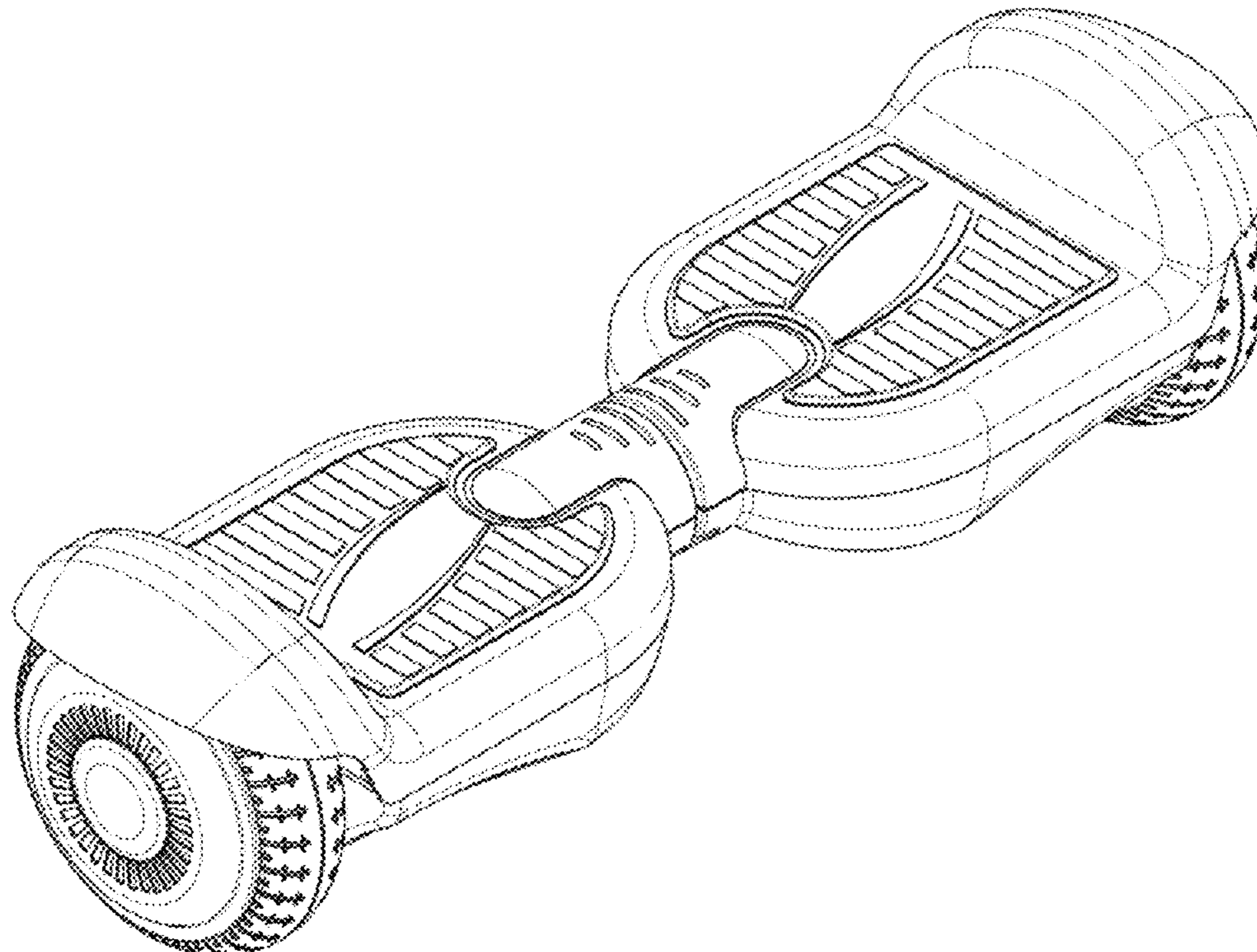
(57) **CLAIM**

The ornamental design for a self-balancing board, as shown
and described.

DESCRIPTION

FIG. 1 is a perspective view of a self-balancing board
showing my new design;
FIG. 2 is a front elevational view thereof;
FIG. 3 is a rear elevational view thereof;
FIG. 4 is a left side elevation view, with the right side being
a mirror thereof;
FIG. 5 is a top plan view thereof; and,
FIG. 6 is a bottom plan view thereof.

1 Claim, 6 Drawing Sheets



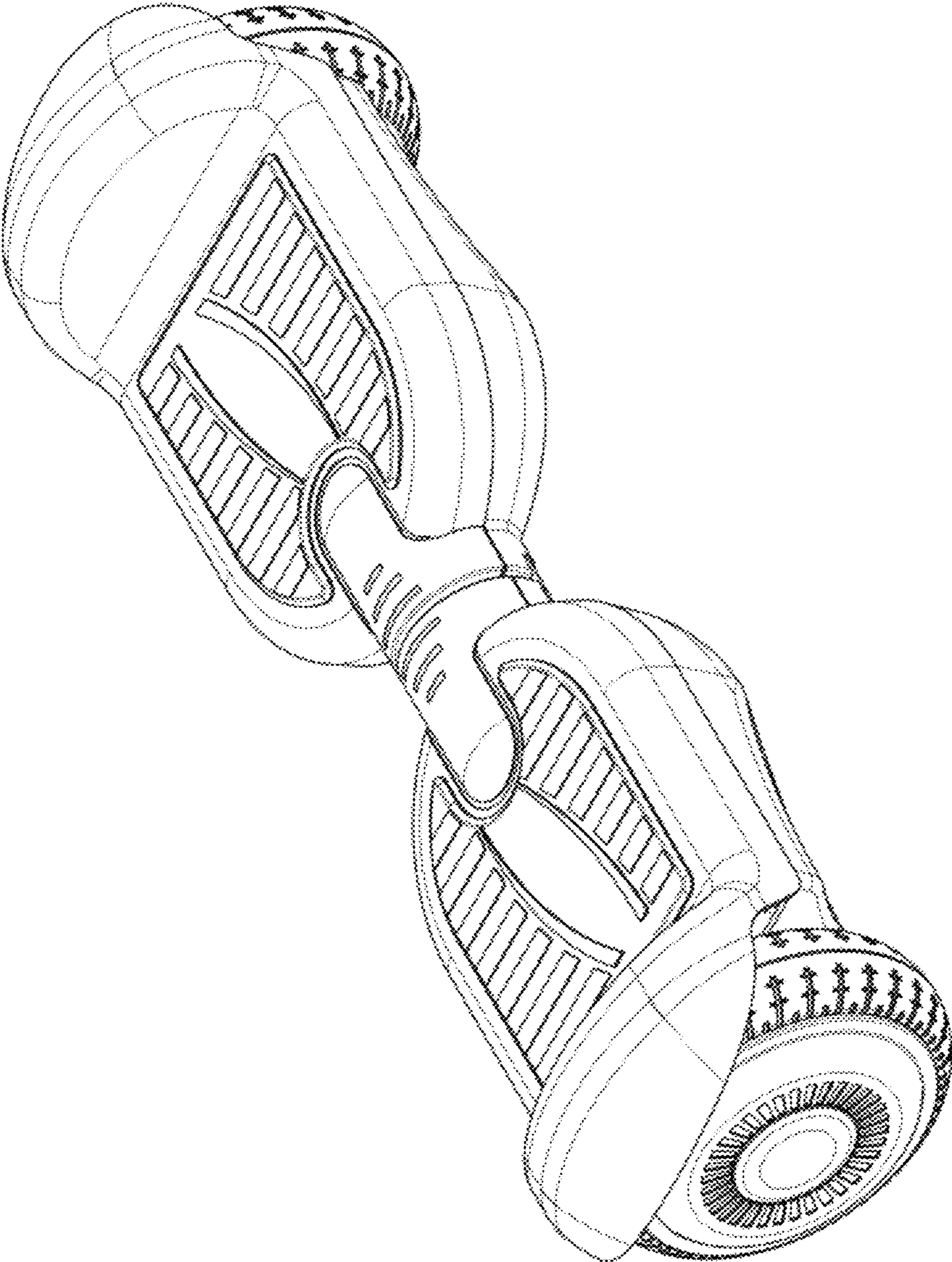


FIG. 1

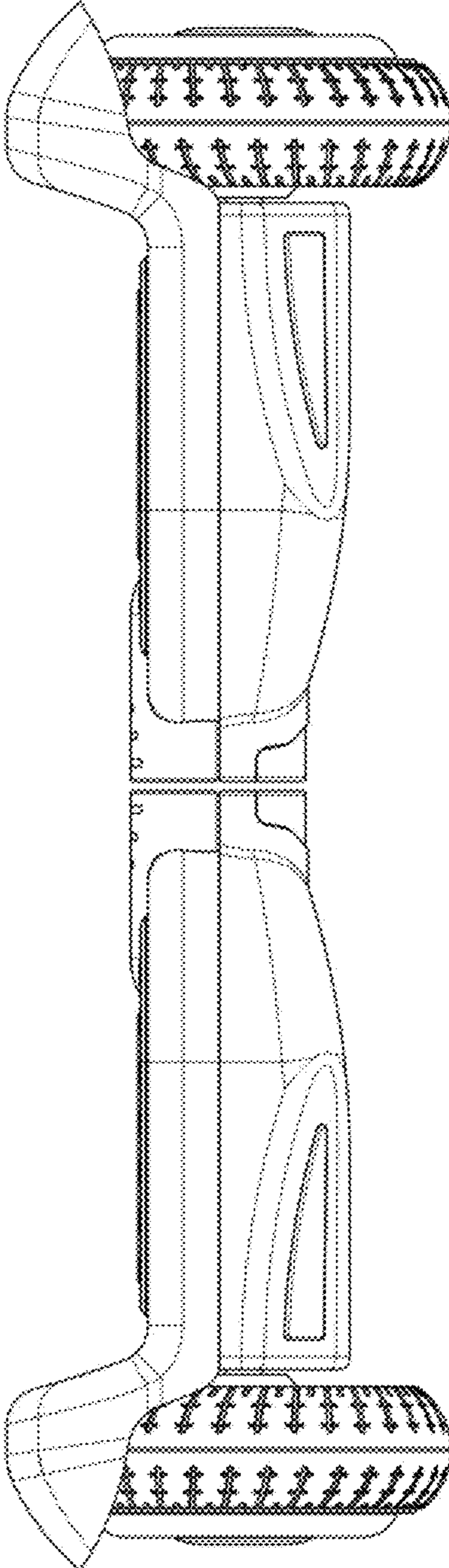


FIG. 2

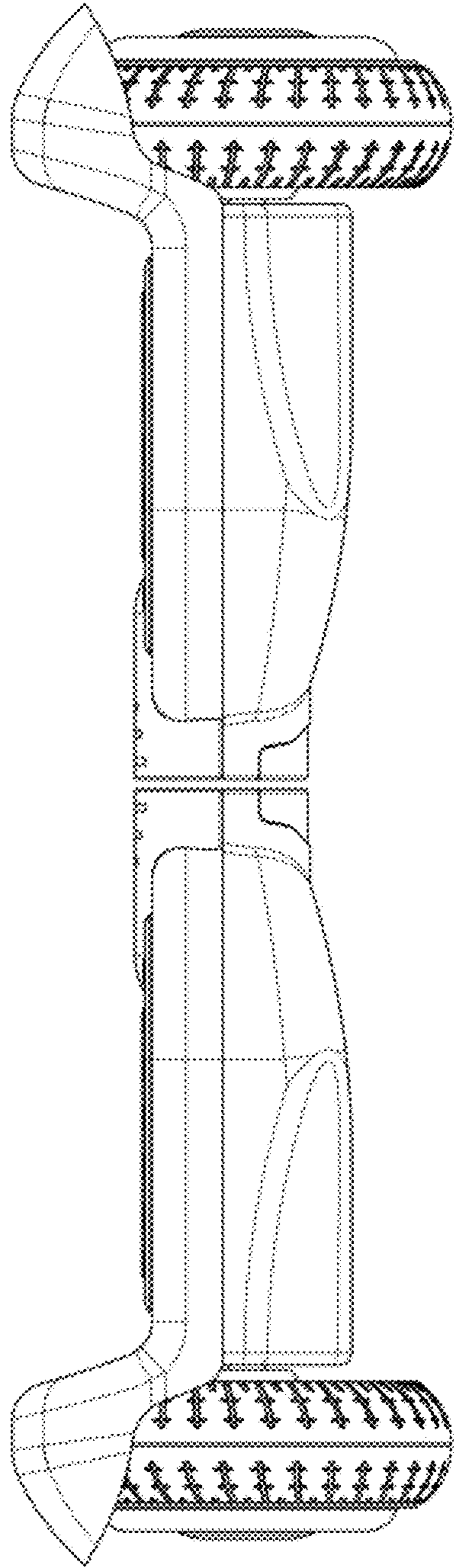


FIG. 3

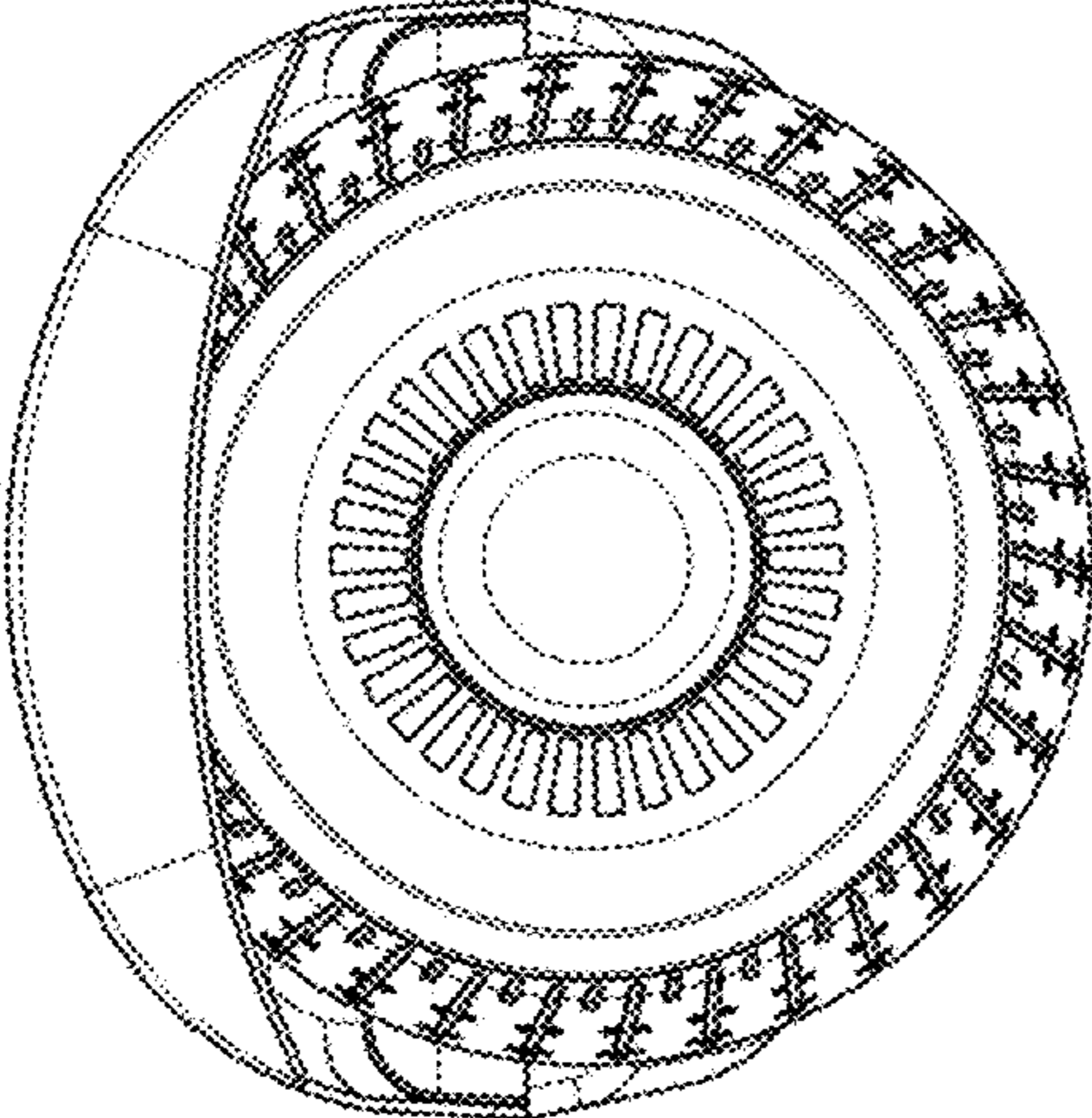


FIG. 4

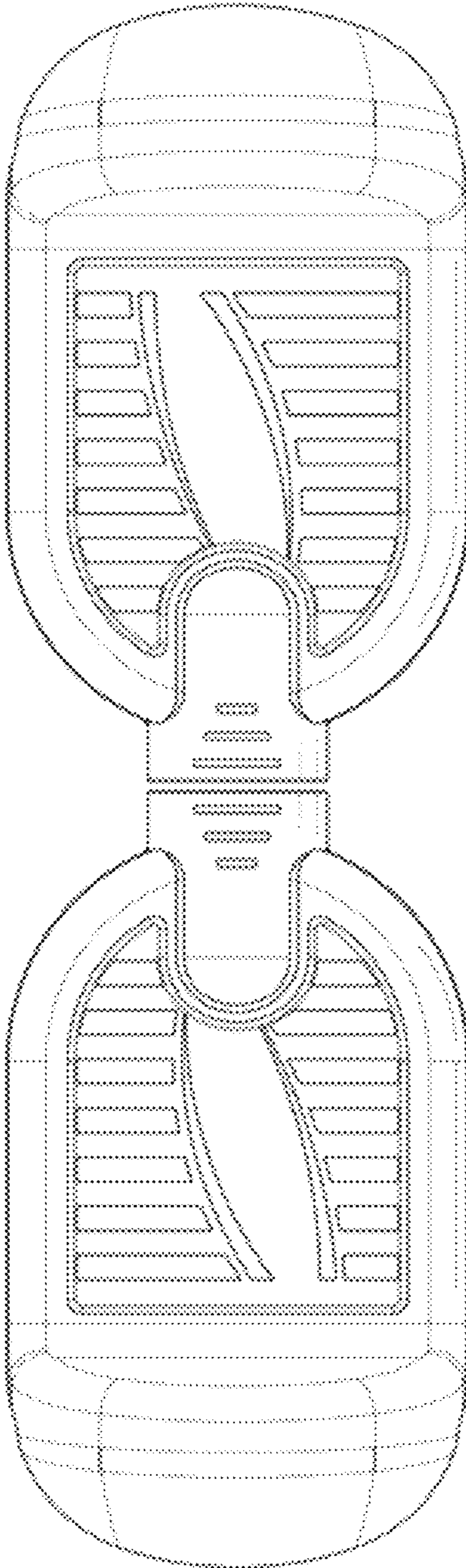


FIG. 5

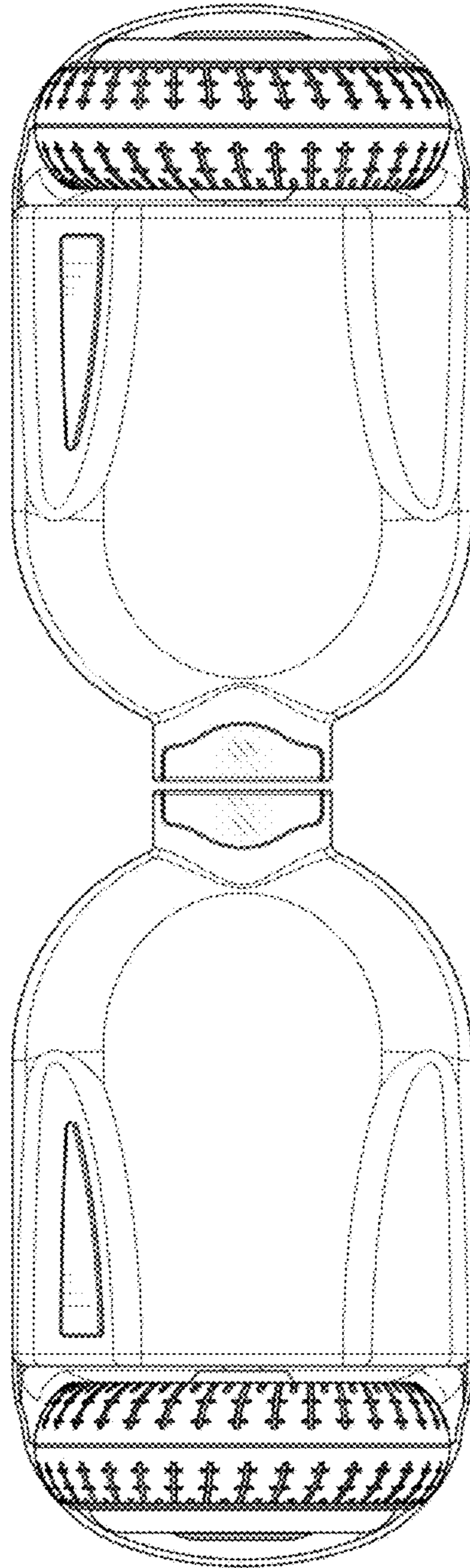


FIG. 6