



US00D902076S

(12) **United States Design Patent** (10) **Patent No.:** **US D902,076 S**
Benjamin (45) **Date of Patent:** **** Nov. 17, 2020**

(54) **ANIMAL COLLAR COMPONENT**
(71) Applicant: **Nathanael Benjamin**, Bothell, WA (US)
(72) Inventor: **Nathanael Benjamin**, Bothell, WA (US)
(**) Term: **15 Years**
(21) Appl. No.: **29/672,755**
(22) Filed: **Dec. 7, 2018**

2,614,533 A 10/1952 Elsinger
(Continued)

FOREIGN PATENT DOCUMENTS

AT 78722 B 10/2019
DE 7026826 U 10/1970
(Continued)

OTHER PUBLICATIONS

Amazon, Star Mark Pro-Training Dog Collar, posted Aug. 5, 2016, [online], [visited Jul. 1, 2020]. Internet, <URL: https://www.amazon.co.uk/Star-Mark-Pro-Training-Collar-Large/dp/B002DVTHJY/ref=> (Year: 2016).*

(Continued)

Primary Examiner — Sheryl Lane
Assistant Examiner — Samantha N Wood
(74) *Attorney, Agent, or Firm* — Seed IP Law Group LLP

Related U.S. Application Data

(62) Division of application No. 16/101,355, filed on Aug. 10, 2018.
(51) **LOC (12) Cl.** **02-07**
(52) **U.S. Cl.**
USPC **D11/216**
(58) **Field of Classification Search**
USPC D11/200, 201, 208, 212, 215, 216, 218, D11/219, 220, 221, 86, 87, 93, 94; D8/383, 382, 499, 330, 399, 349, 384, D8/388
CPC A44C 23/00; A44C 5/18; A44C 5/185; A44C 5/2066; A44C 5/2042; A44C 5/2057; A44C 5/2071; A44D 2200/10; A44D 2201/02; A44D 2201/10; A44D 2201/12; A44D 2201/14; A44D 2201/16; A44D 2201/30; A44D 2201/32; A44D 2201/34; A44D 2201/36; A44D 2203/00; A44D 2205/00; A44B 11/00; A44B 11/25; A44B 11/2553; A44B 11/2549; A44B 11/04; A01K 27/00
See application file for complete search history.

(57) **CLAIM**

The ornamental design for an animal collar component, as shown and described.

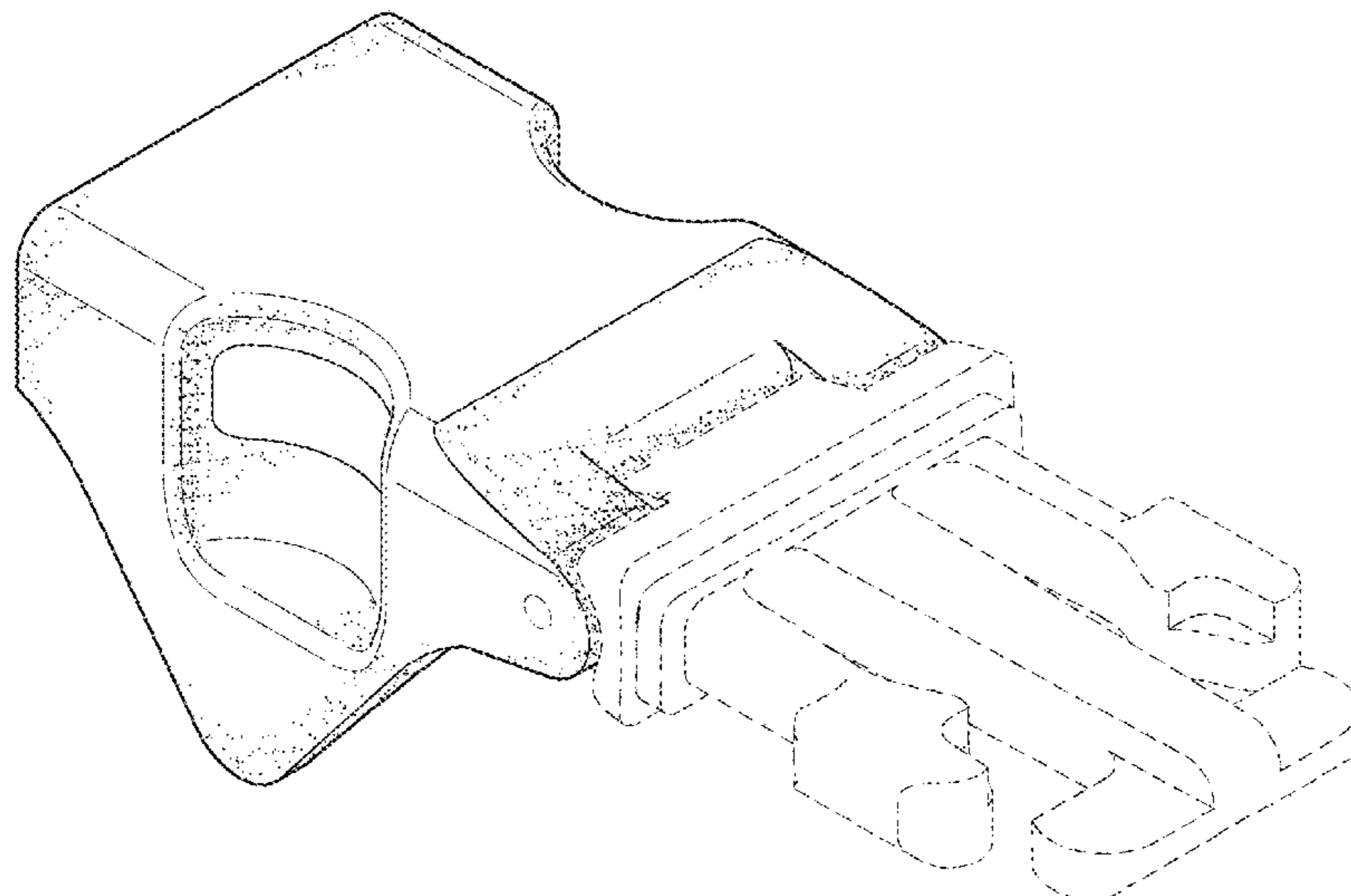
DESCRIPTION

FIG. 1 is a top-front perspective view of an animal collar component showing my new design.
FIG. 2 is a bottom-rear perspective view thereof.
FIG. 3 is a left side view thereof.
FIG. 4 is a top view thereof.
FIG. 5 is a right side view thereof.
FIG. 6 is a bottom view thereof.
FIG. 7 is a front view thereof; and,
FIG. 8 is a rear view thereof.
The broken lines showing portions of the animal collar component are included for the purpose of illustrating portions of the article and forms no part of the claimed design.

(56) **References Cited**
U.S. PATENT DOCUMENTS

205,515 A 7/1878 Von Culin
441,706 A 12/1890 Schneider
485,630 A 11/1892 Hull
770,070 A 9/1904 Johnson
1,170,767 A 2/1916 Loft
2,394,144 A 12/1944 Brose

1 Claim, 7 Drawing Sheets



(56)

References Cited

U.S. PATENT DOCUMENTS

2,616,394	A	11/1952	Elsinger
2,743,702	A	5/1956	Sullivan
2,859,732	A	11/1958	Driscoll
3,817,218	A	6/1974	Bongiovanni
3,872,833	A	3/1975	Herbert
3,995,598	A	12/1976	Gardner et al.
4,841,915	A	6/1989	Rocchetti
4,924,815	A	5/1990	Halla
4,940,020	A	7/1990	Gordon
4,996,948	A	3/1991	Klein et al.
5,647,303	A	7/1997	Deioma
6,606,967	B1	8/2003	Wolfe, Jr. et al.
6,938,580	B2	9/2005	Herbst
8,919,295	B2	12/2014	Voellmecke et al.
2015/0150341	A1	6/2015	Singh

FOREIGN PATENT DOCUMENTS

DE	94 02 669.6	U1	4/1994
DE	296 08 325	U1	8/1996
DE	196 23 010	C1	6/1997
DE	298 08 808	U1	8/1998
DE	201 02 525	U1	6/2001
DE	10 2014 102 874	A1	11/2014
GB	831822	A	3/1960
GB	838093	A	6/1960
WO	2010/130501	A1	3/2010

OTHER PUBLICATIONS

Herm Sprenger, "Extra Links for Dog Training Prong Collar to Extend Sizes Chrome Link 3 Ct Pack," downloaded from https://www.amazon.com/Herm-Sprenger-Prong-Collar-Extra/dp/B0002DIQDS/ref=pd_bxg on Jul. 1, 2017, 8 pages.

"Pinch Dog Collar with Quick Release Snap Hook and Swivel," downloaded from <https://www.original-herm-sprenger-dog-collars.com/training-dog-collars-c-37/pinch-dog-collar-with-quick-release-snap-hook-and-swivel-p-486.html> on Jul. 1, 2017, 3 pages.

LeashesByDesign, "Buckle Adapter for Prong Collar," downloaded from https://www.etsy.com/listing/292638715/buckle-adapter-for-prong-collar?&utm_source=go on Jul. 1, 2017, 4 pages.

PetSafe, "PetSafe Petite Martingale Collar," downloaded from <https://www.amazon.com/PetSafe-Martingale-Collar-Medium-Red/dp/B000JD1PUW> on Jul. 1, 2017, 8 pages.

"Sea to Summit 2-Pin Side-Release Field Repair Buckle," downloaded from <https://www.rei.com/product/850233/sea-to-summit-2-pin-side-release-field-repair-buckle> on Jul. 10, 2017, 5 pages.

Sea to Summit, "Sea to Summit Field Repair Buckle," downloaded from https://smile.amazon.com/Sea-Summit-Field-Repair-Buckle/dp/B00BTO3H42/ref=sr_1_1?ie=UTF8&qid=1527800914&sr=8-1&keywords=sea+to+summit+field+repair+buckle+-+side+release+1+pin+1%22+%2F+25mm on May 31, 2018, 8 pages.

StarMark, "StarMark Add-A-Link," downloaded from https://www.amazon.com/StarMark-TCLL-add-A-Link-Large/dp/B000A6HYY4/ref=pd_b on Jul. 1, 2017, 7 pages.

StarMark, "StarMark Training Collar, Large, Black," downloaded from https://www.amazon.com/StarMark-Training-Collar-Large-Black/dp/B000A6BD5K/ref=sr_ on Jul. 1, 2017, 6 pages.

"Don Sullivan Perfect Dog Command Collar with Extra Links and DVD," downloaded from <https://www.newegg.com/Product/Product.aspx?Item=02W-0099-00028> on Jul. 1, 2017, 2 pages.

Wikipedia, "Martingale (collar)," downloaded from [https://en.wikipedia.org/wiki/Martingale_\(collar\)](https://en.wikipedia.org/wiki/Martingale_(collar)) on Jul. 1, 2017, 1 page.

* cited by examiner

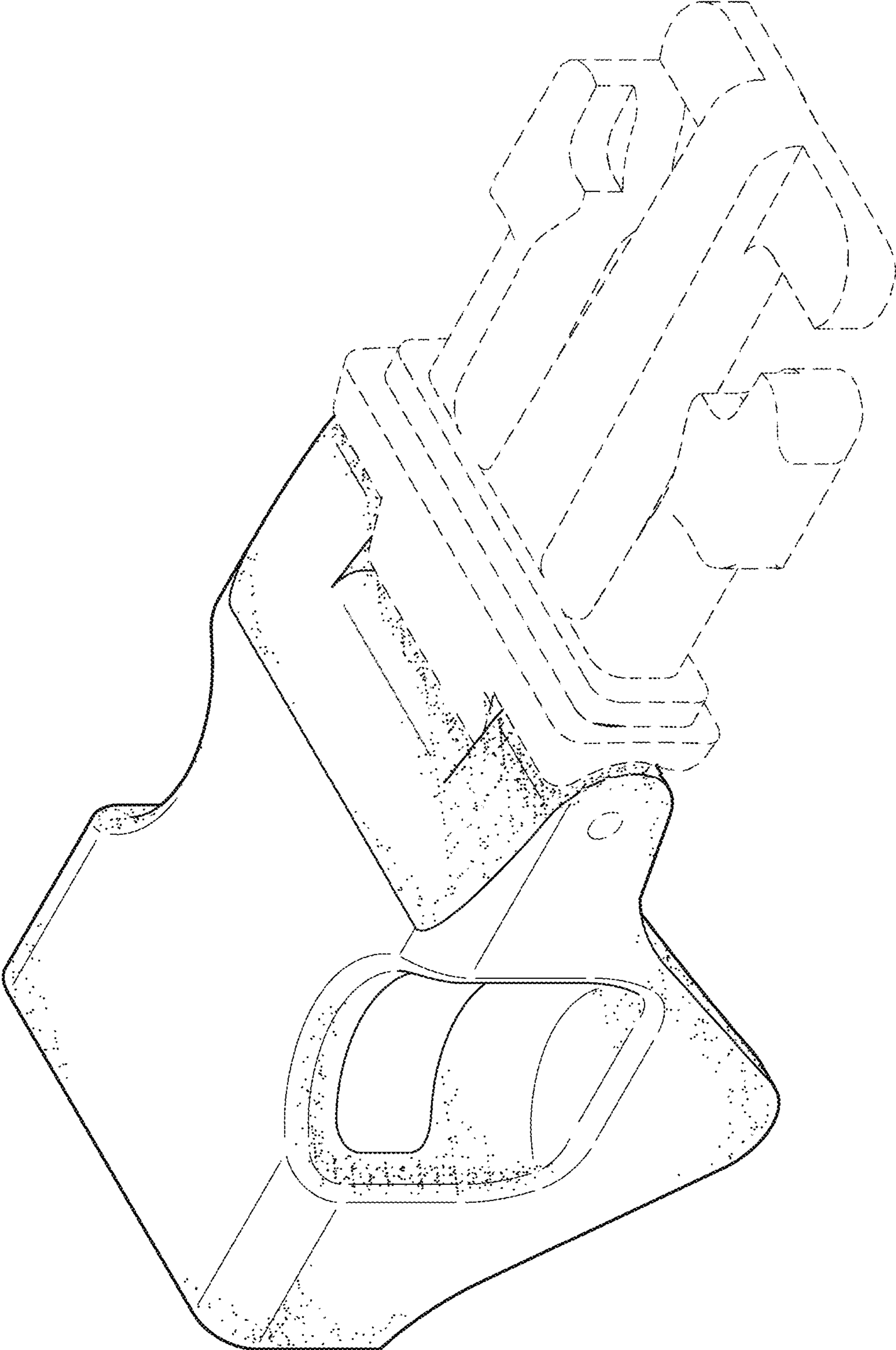


FIG. 1

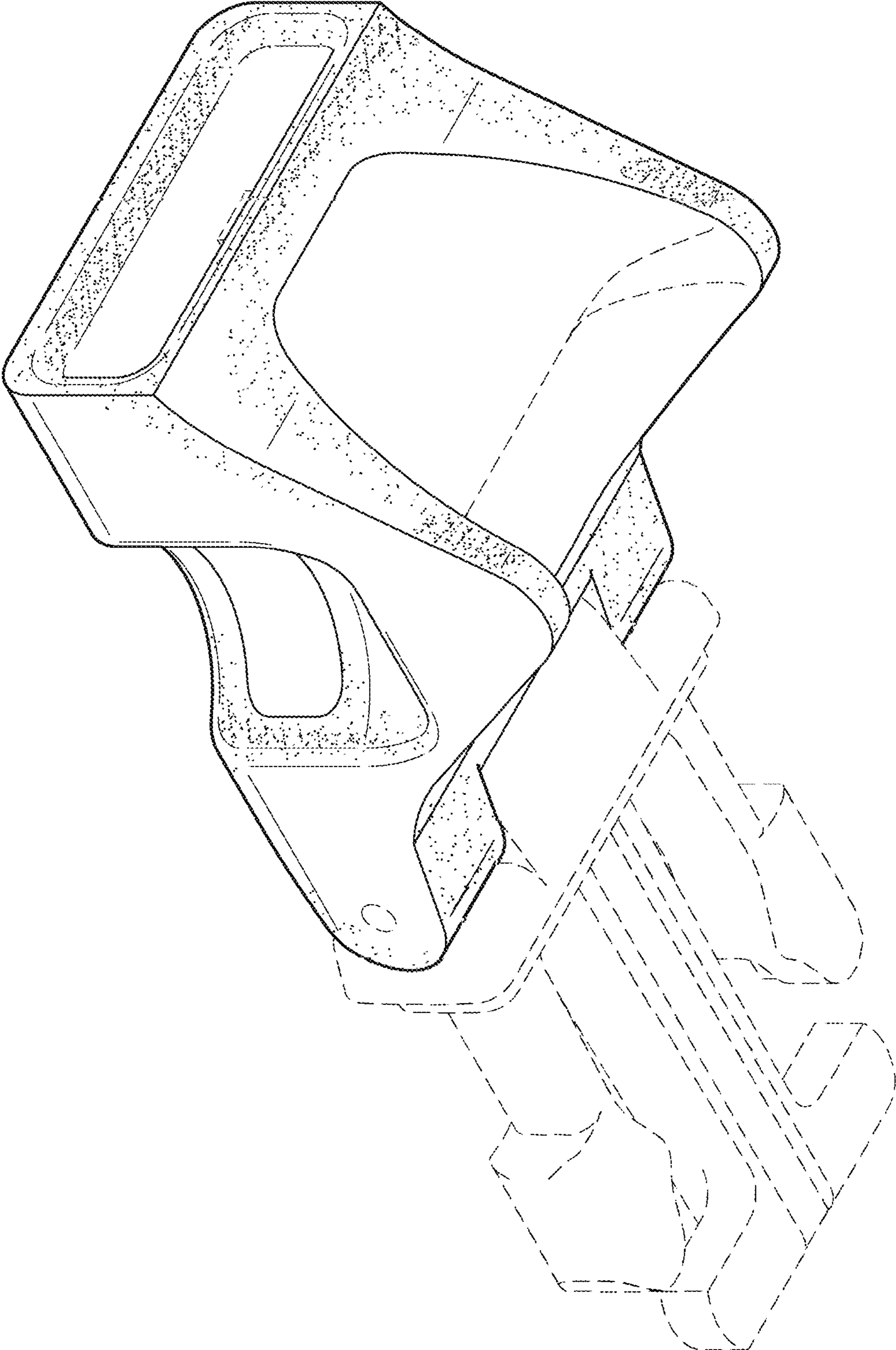


FIG. 2

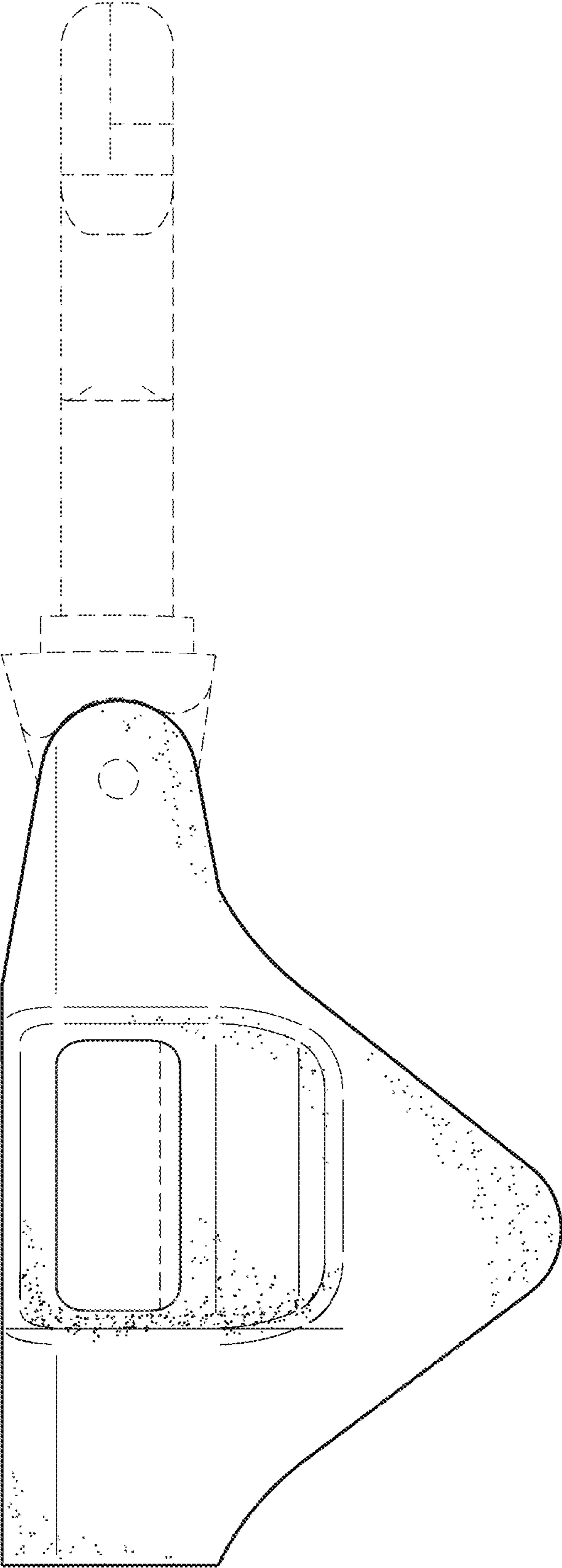


FIG. 3

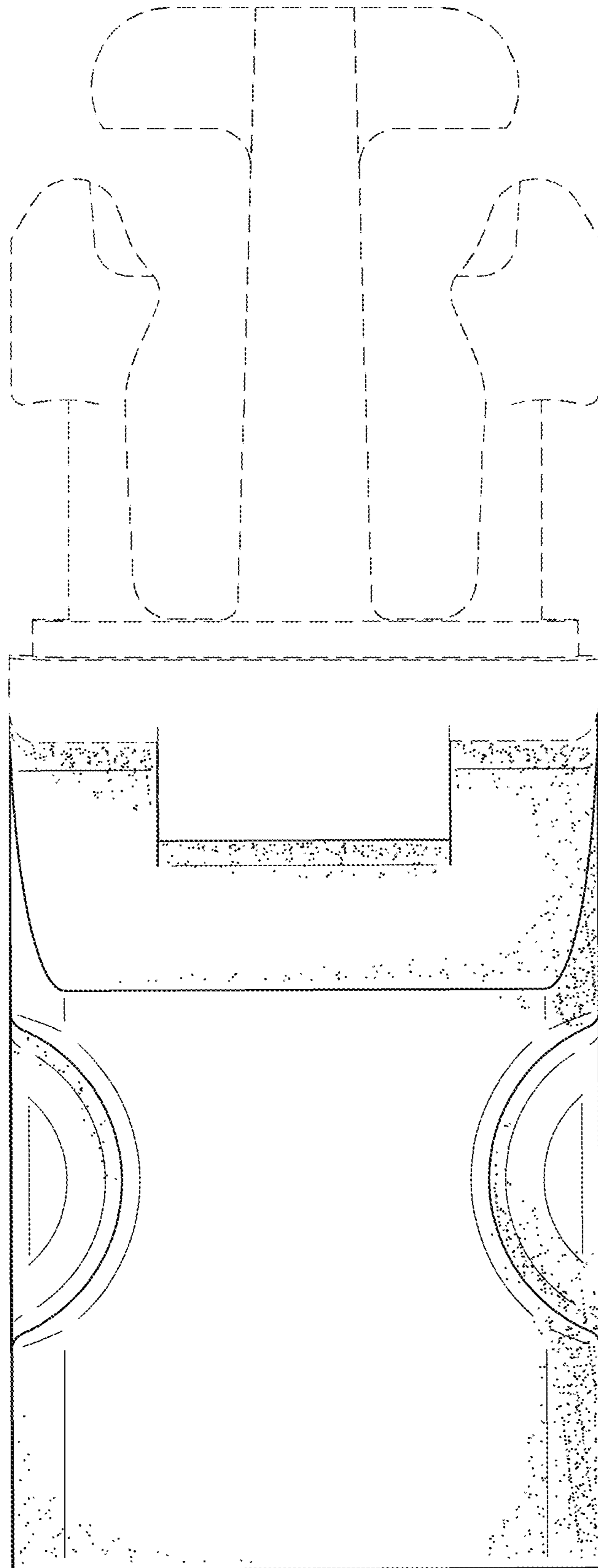


FIG. 4

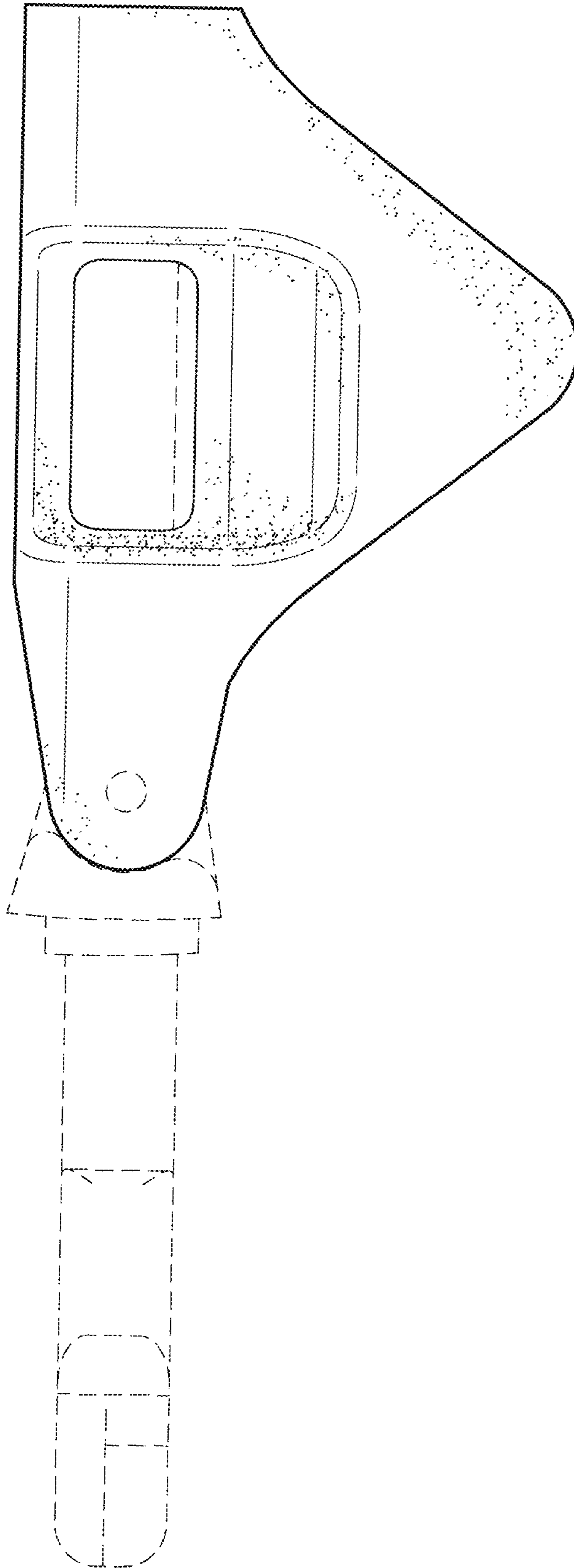


FIG. 5

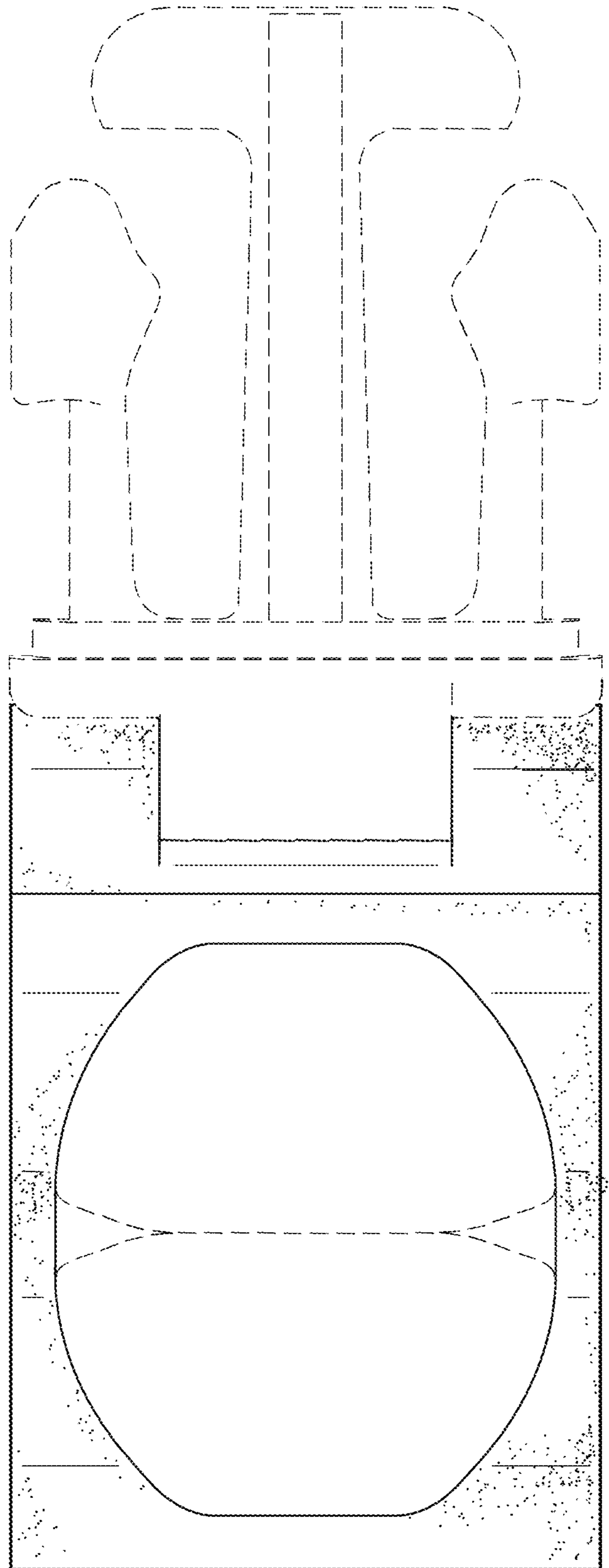


FIG. 6

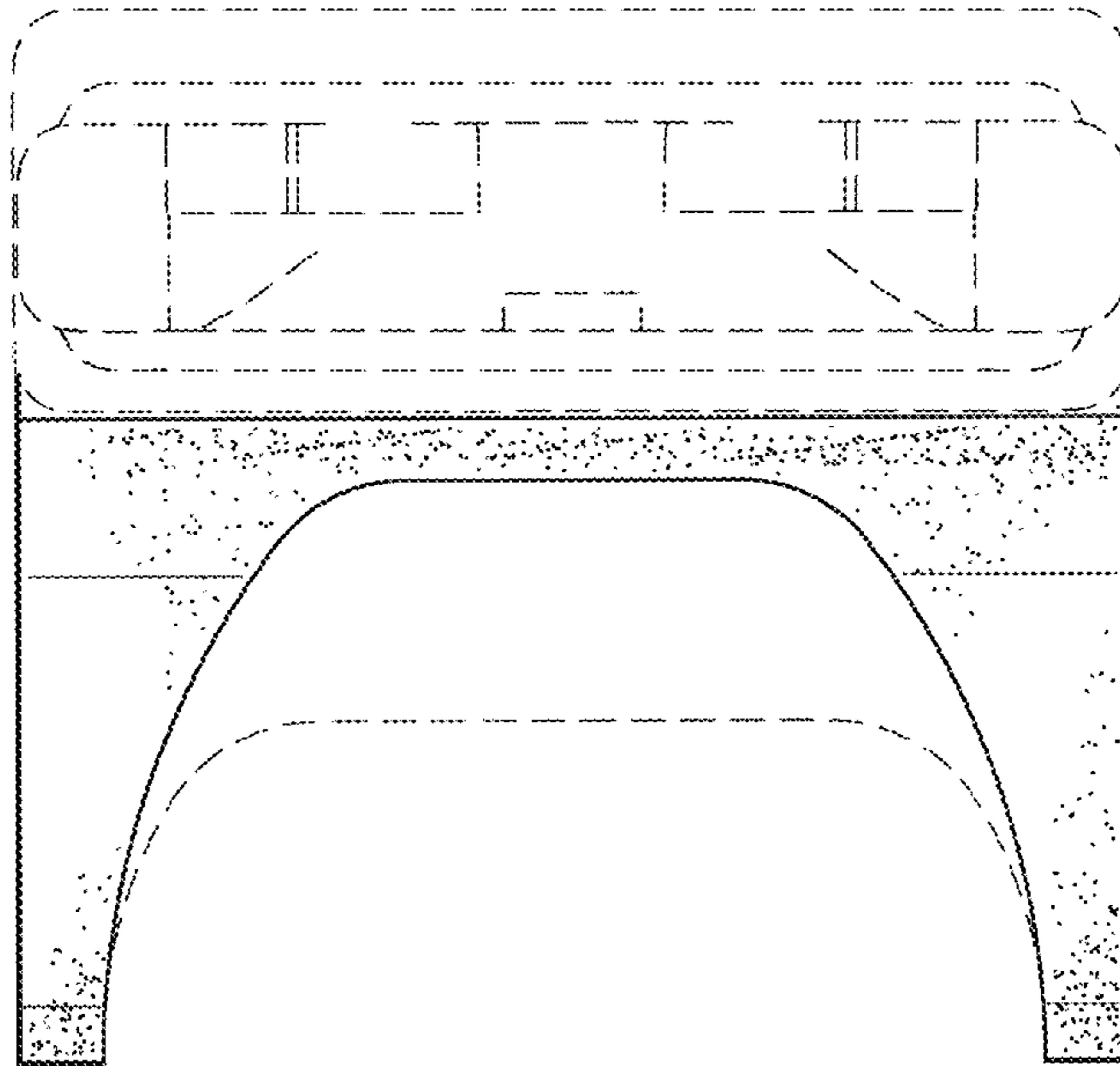


FIG. 7

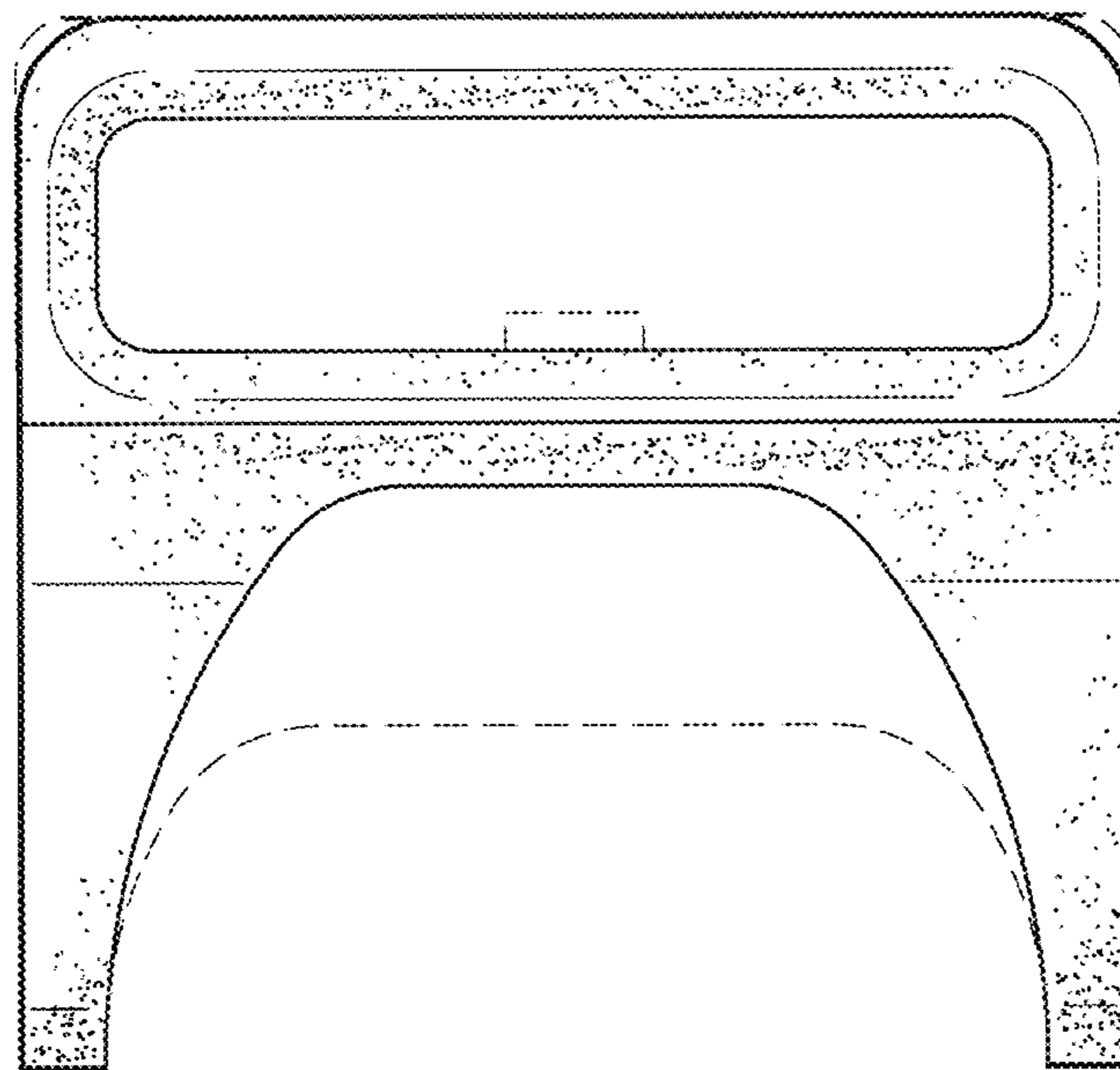


FIG. 8