



US00D902075S

(12) **United States Design Patent** (10) **Patent No.:** **US D902,075 S**
Ramirez (45) **Date of Patent:** **** Nov. 17, 2020**

(54) **PLANT POT**
(71) Applicant: **Jonathan P. Ramirez**, Woodland Hills, CA (US)
(72) Inventor: **Jonathan P. Ramirez**, Woodland Hills, CA (US)
(73) Assignee: **Phyllis the Plant, Inc.**, Woodland Hills, CA (US)
(**) Term: **15 Years**
(21) Appl. No.: **29/694,535**
(22) Filed: **Jun. 11, 2019**
(51) **LOC (12) Cl.** **11-02**
(52) **U.S. Cl.**
USPC **D11/152**
(58) **Field of Classification Search**
USPC D11/143–156, 164; D3/304, 313, 314; D6/403, 404, 405, 556, 557, 558; D7/357, 553.2, 553.3, 554.3, 554.4; D9/433, 454, 455
CPC . A01G 5/04; A01G 9/02; A01G 9/021; A01G 9/022; A01G 9/027; A01G 9/028; A01G 9/029; A01G 9/0293; A01G 9/0295; A01G 9/0297; A01G 9/0299; A01G 9/04; A01G 9/042; A01G 9/045; A47G 7/00; A47G 7/02; A47G 7/04; A47G 7/06; A47G 7/08
See application file for complete search history.

(56) **References Cited**
U.S. PATENT DOCUMENTS
D20,523 S * 2/1891 Balsley D11/152
1,710,878 A * 4/1929 Kelso A01G 9/021
47/65.5
2,152,648 A * 4/1939 Jones A47G 7/085
47/72

2,854,790 A * 10/1958 Hartung A01G 9/021
47/65.5
D219,473 S * 12/1970 Galm D7/512
D229,575 S * 12/1973 Dallas D11/164
3,800,469 A * 4/1974 Lau, Jr. A01G 9/021
47/65.5
4,047,329 A * 9/1977 Holt A01G 9/02
47/65.7
4,175,354 A * 11/1979 Anderson A01G 27/006
211/1.51
D255,555 S * 6/1980 Smith 47/79
4,224,764 A * 9/1980 Dziejulski A01G 9/04
215/393
4,265,050 A * 5/1981 Buescher A01G 27/02
47/71
4,349,172 A * 9/1982 Banks, Jr. A47G 7/047
248/318
D279,175 S * 6/1985 Eklof D11/143
D298,222 S * 10/1988 Hobson D11/152
5,094,032 A * 3/1992 Byland A01G 9/021
47/71
5,199,213 A * 4/1993 Krebs A47G 7/041
248/146

(Continued)

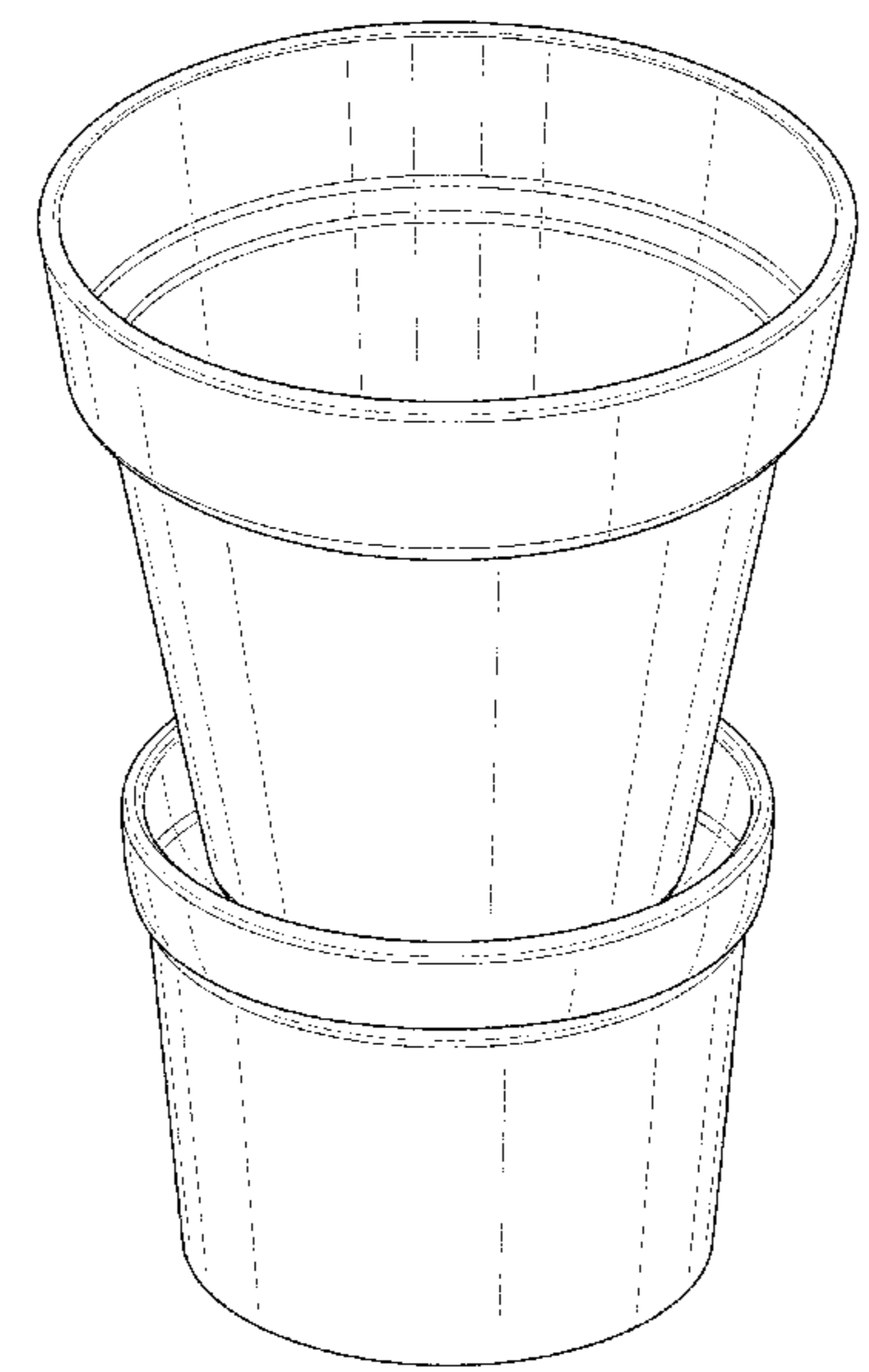
Primary Examiner — Elizabeth A. Albert

(57) **CLAIM**
The ornamental design for a plant pot, as shown and described.

DESCRIPTION

FIG. 1 is a top perspective view of a plant pot of my new design;
FIG. 2 is a front view thereof;
FIG. 3 is a rear view thereof;
FIG. 4 is a left side view thereof;
FIG. 5 is a right side view thereof;
FIG. 6 is a top view thereof; and,
FIG. 7 is a bottom view thereof.
The broken lines depict portions of the plant pot that form no part of the claimed design.

1 Claim, 7 Drawing Sheets



(56)

References Cited

U.S. PATENT DOCUMENTS

D345,716	S *	4/1994	Kwiatkowski	D11/131.1
5,309,670	A *	5/1994	Bates	A47G 7/02 248/346.11
D366,855	S *	2/1996	Deelen	D11/152
D428,360	S *	7/2000	Herzog-Mesrobian	D11/164
6,108,974	A *	8/2000	Herzog-Mesrobian	A47G 7/08 47/72
D478,478	S *	8/2003	Soohee	D11/152
6,665,980	B2 *	12/2003	Laske, Jr.	A47G 7/041 248/128
D539,695	S *	4/2007	Fan	D11/152
D542,706	S *	5/2007	Prenatt	D11/152
D611,384	S *	3/2010	Biegel	D11/152
7,913,452	B1 *	3/2011	Imm	A01G 9/124 47/83
8,166,701	B1 *	5/2012	Duff, Sr.	A47G 7/041 47/39
8,733,254	B1 *	5/2014	Wakefield	A01G 9/02 108/50.11
D853,273	S *	7/2019	Shaw, Jr.	D11/152
D853,274	S *	7/2019	Shaw, Jr.	D11/152
2016/0345509	A1 *	12/2016	Bejdova	A01G 9/02

* cited by examiner

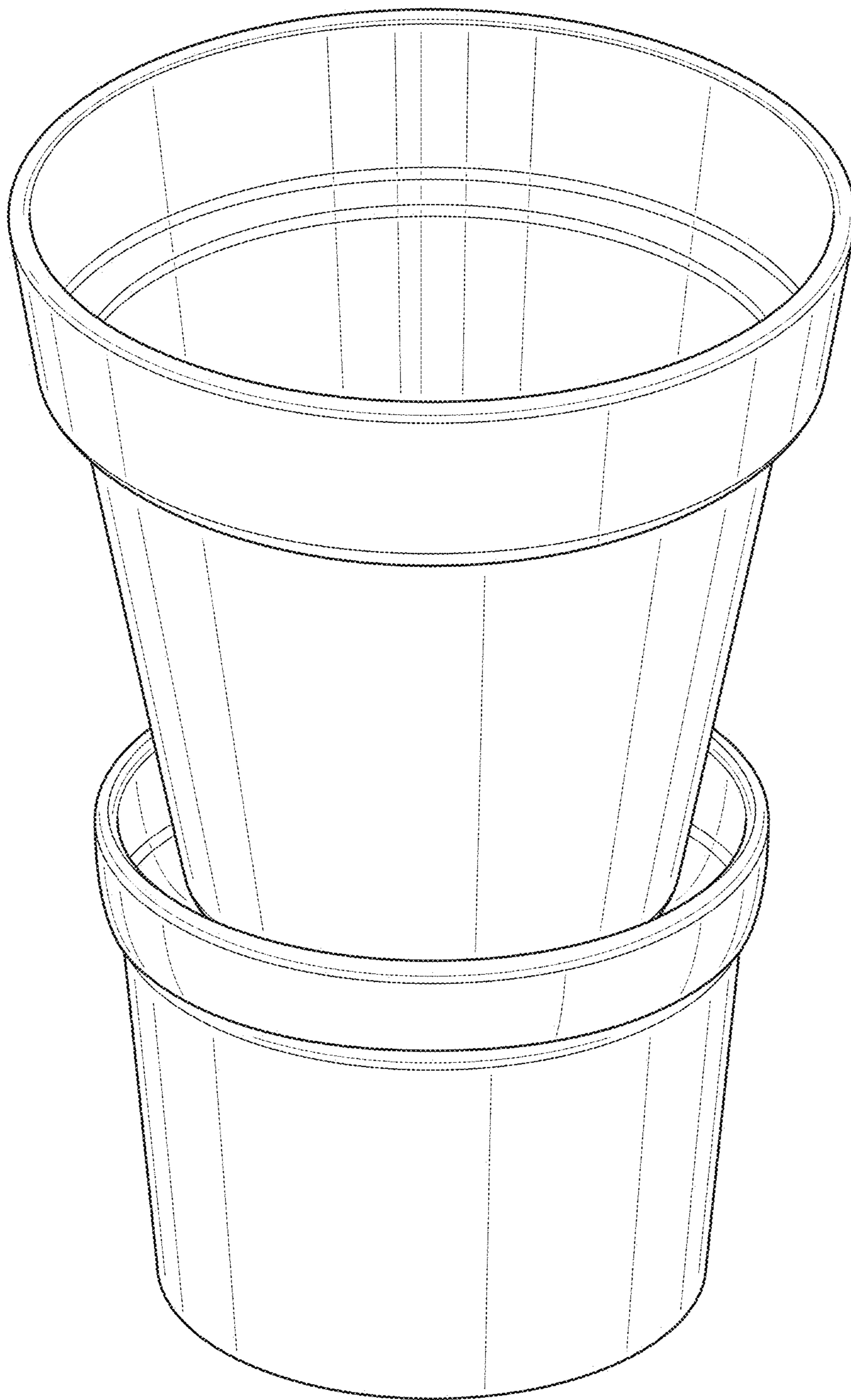


FIG. 1

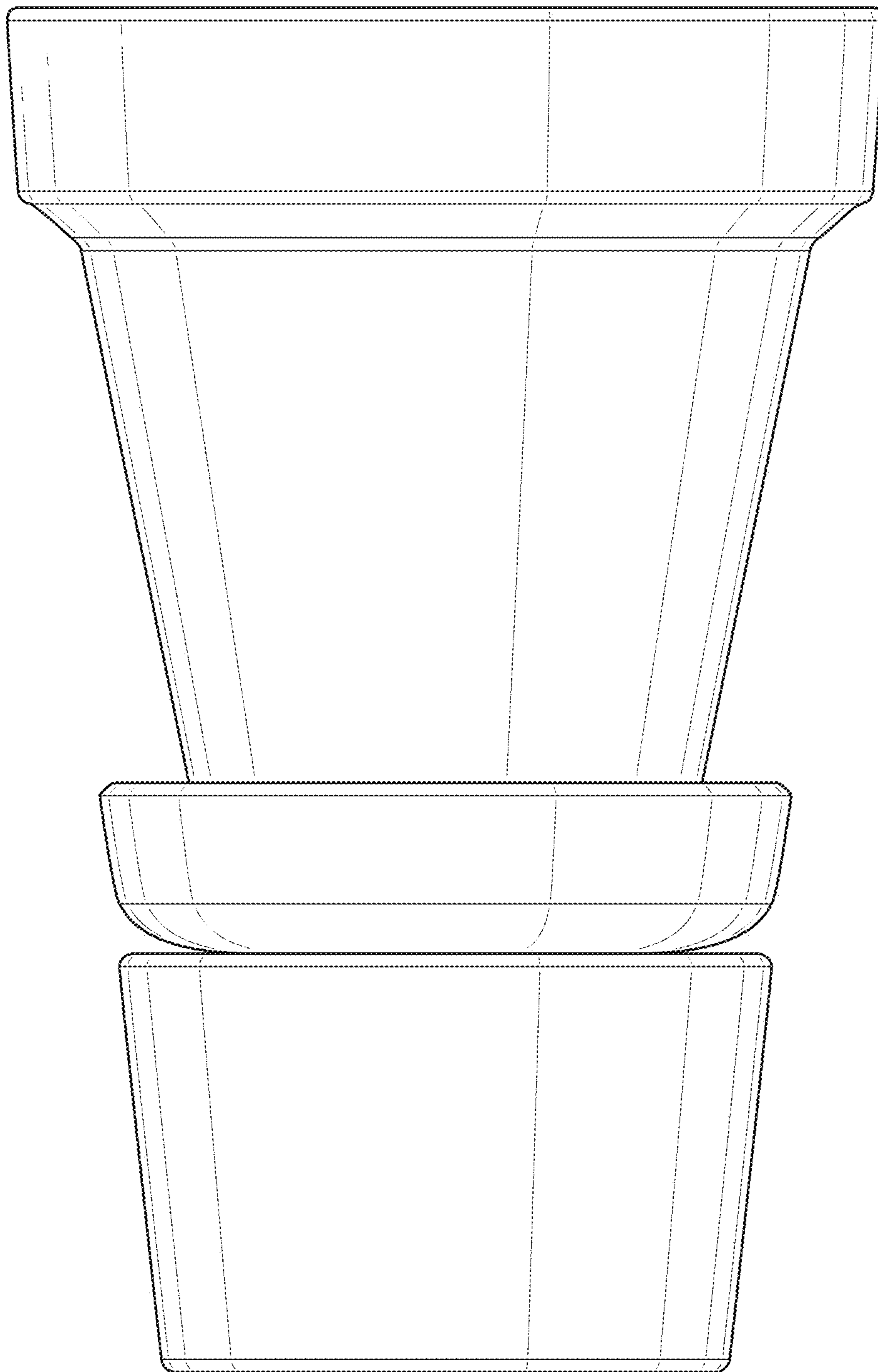


FIG. 2

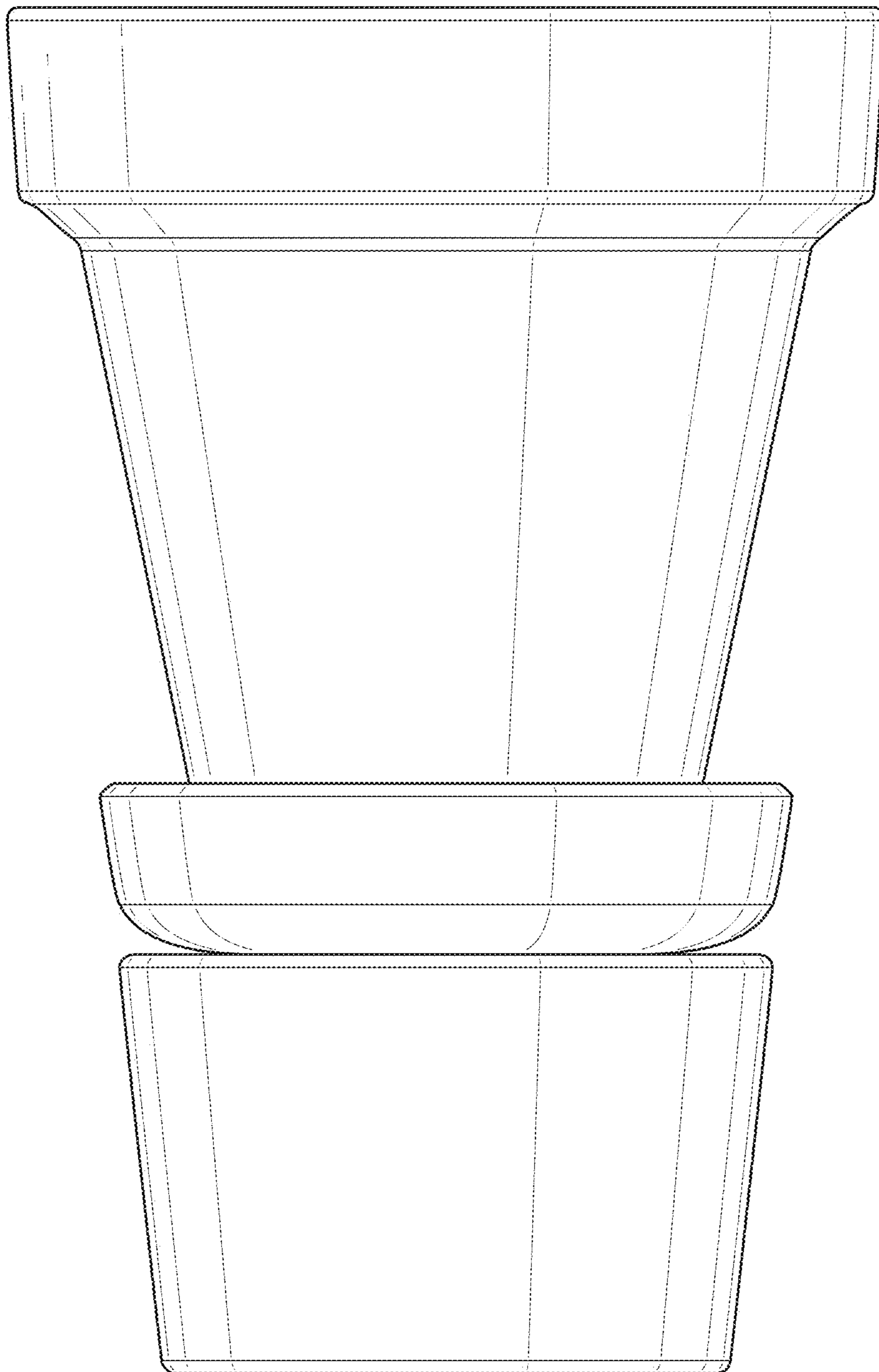


FIG. 3

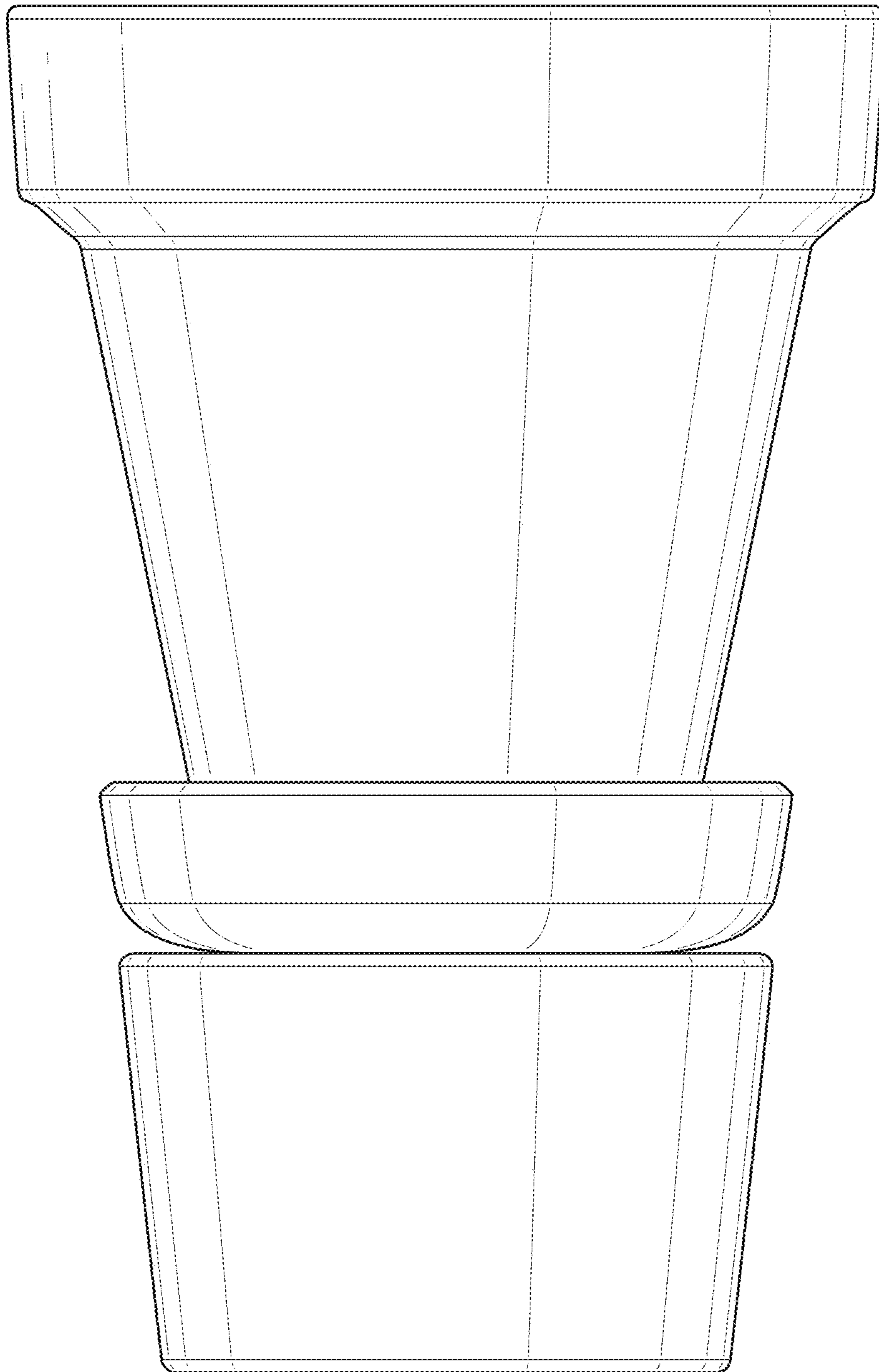


FIG. 4

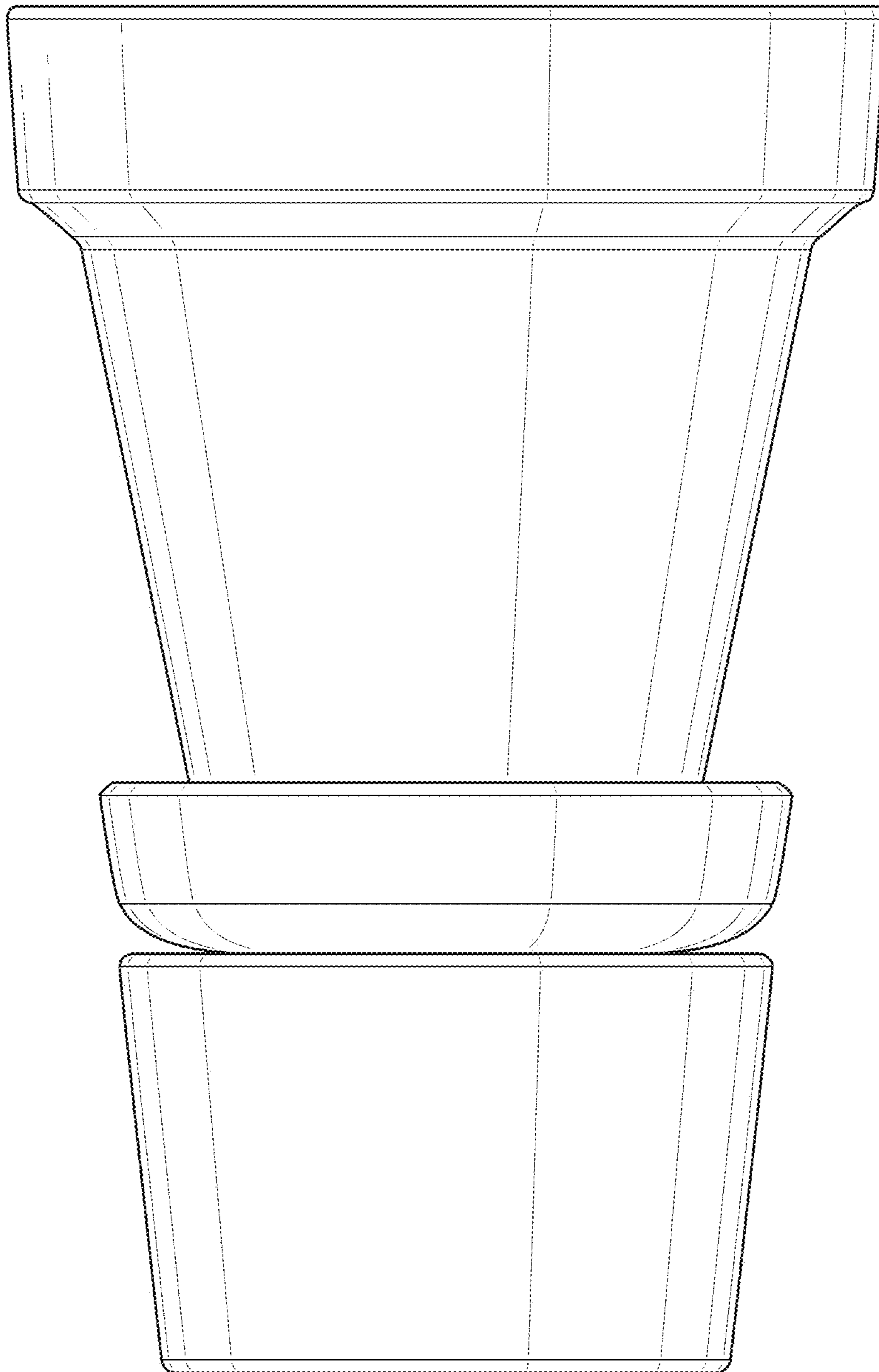


FIG. 5

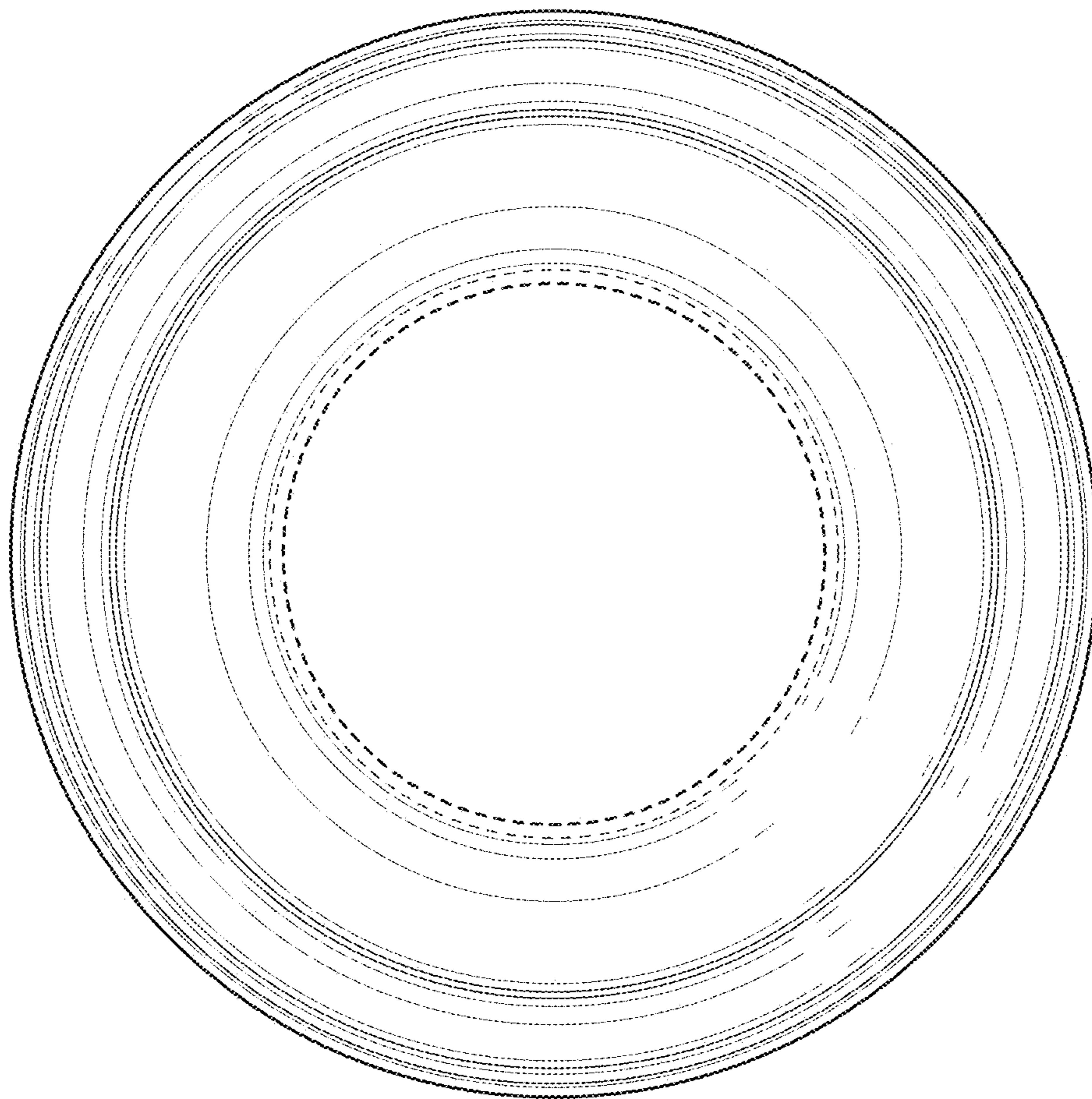


FIG. 6

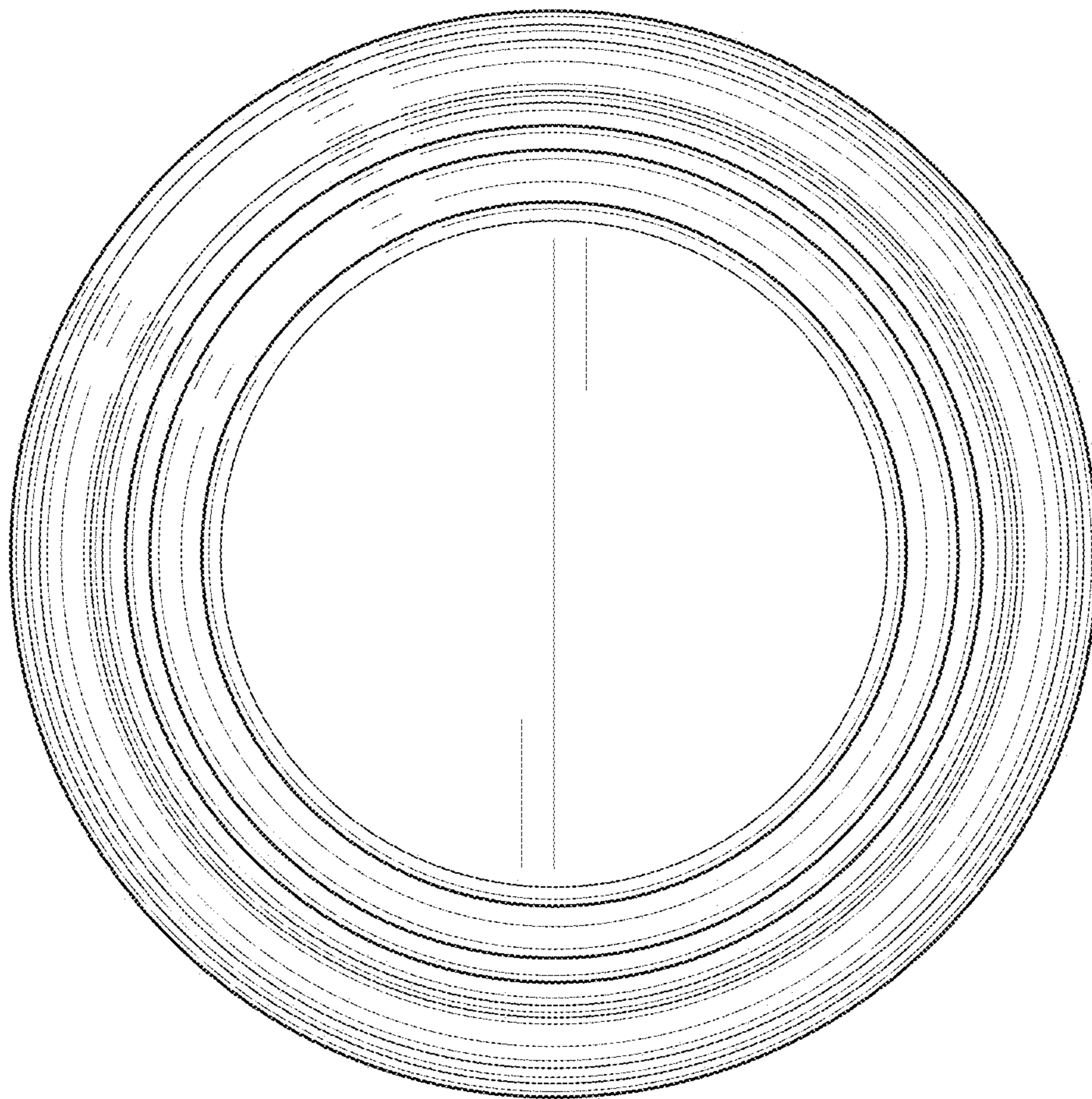


FIG. 7