



US00D902070S

(12) **United States Design Patent**
Liberman et al.

(10) **Patent No.:** **US D902,070 S**

(45) **Date of Patent:** **** Nov. 17, 2020**

(54) **PROPELLER RING**

(71) Applicant: **Kinekt Design LLC**, Livingston, NJ (US)

(72) Inventors: **Glen Liberman**, Short Hills, NJ (US);
Lulu Mills, Berlin (DE)

(73) Assignee: **Kinekt Design**, Livingston, NJ (US)

(**) Term: **15 Years**

(21) Appl. No.: **29/648,518**

(22) Filed: **May 22, 2018**

(51) **LOC (12) Cl.** **11-01**

(52) **U.S. Cl.**
USPC **D11/26**

(58) **Field of Classification Search**
USPC D11/3, 4, 26-39, 86, 91
CPC A44C 5/00; A44C 5/0007; A44C 5/0015;
A44C 5/003; A44C 5/0053; A44C 9/00;
A44C 9/0007; A44C 9/0014; A44C
9/0023; A44C 9/003; A44C 9/0038; A44C
9/0046; A44C 9/0053; A44C 9/0061;
A44C 9/0069; A44C 9/0076; A44C
9/0084; A44C 9/0092

See application file for complete search history.

(56) **References Cited**

U.S. PATENT DOCUMENTS

D43,925 S * 4/1913 Gulick D11/26
D49,533 S * 8/1916 Bishop D11/31
D53,436 S * 6/1919 Clarke D11/26
D71,357 S * 11/1926 Colton D11/91

D132,899 S * 6/1942 Terryberry D11/35
D228,758 S * 10/1973 Petrosky D22/117
4,294,084 A * 10/1981 Lampert A44C 17/025
63/15
D266,312 S * 9/1982 Lin D10/31
D374,836 S * 10/1996 Weiss D11/26
D464,900 S * 10/2002 Repposi D11/26
D509,456 S * 9/2005 Ricci 81/3.09
D652,275 S * 1/2012 Wegener D8/34
2010/0050690 A1 * 3/2010 Woodward A44C 5/0007
63/15.1
2019/0286189 A1 * 9/2019 Griffin A44C 9/0053
2020/0069511 A1 * 3/2020 Lopez G06F 3/016

* cited by examiner

Primary Examiner — Melanie Pellegrini

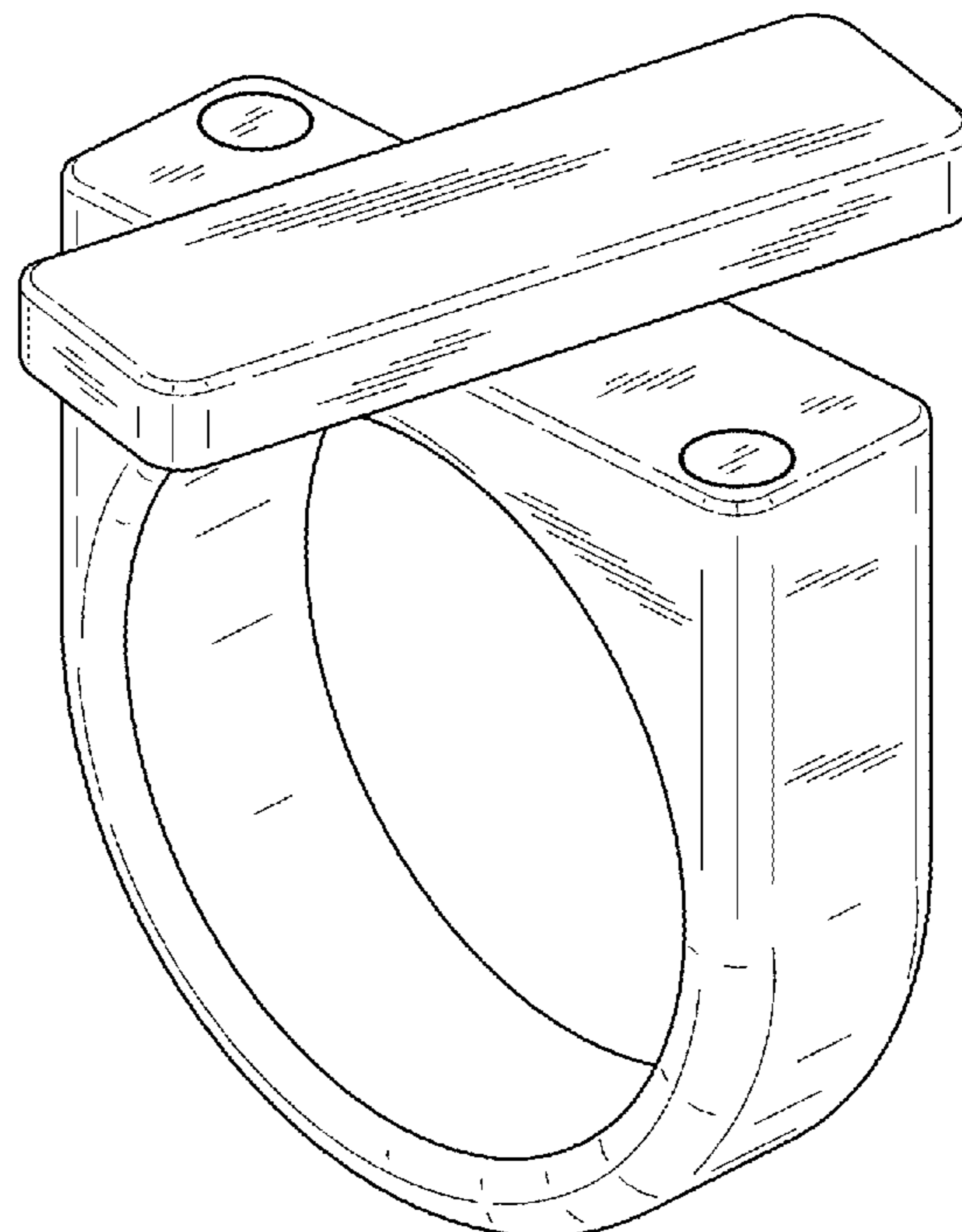
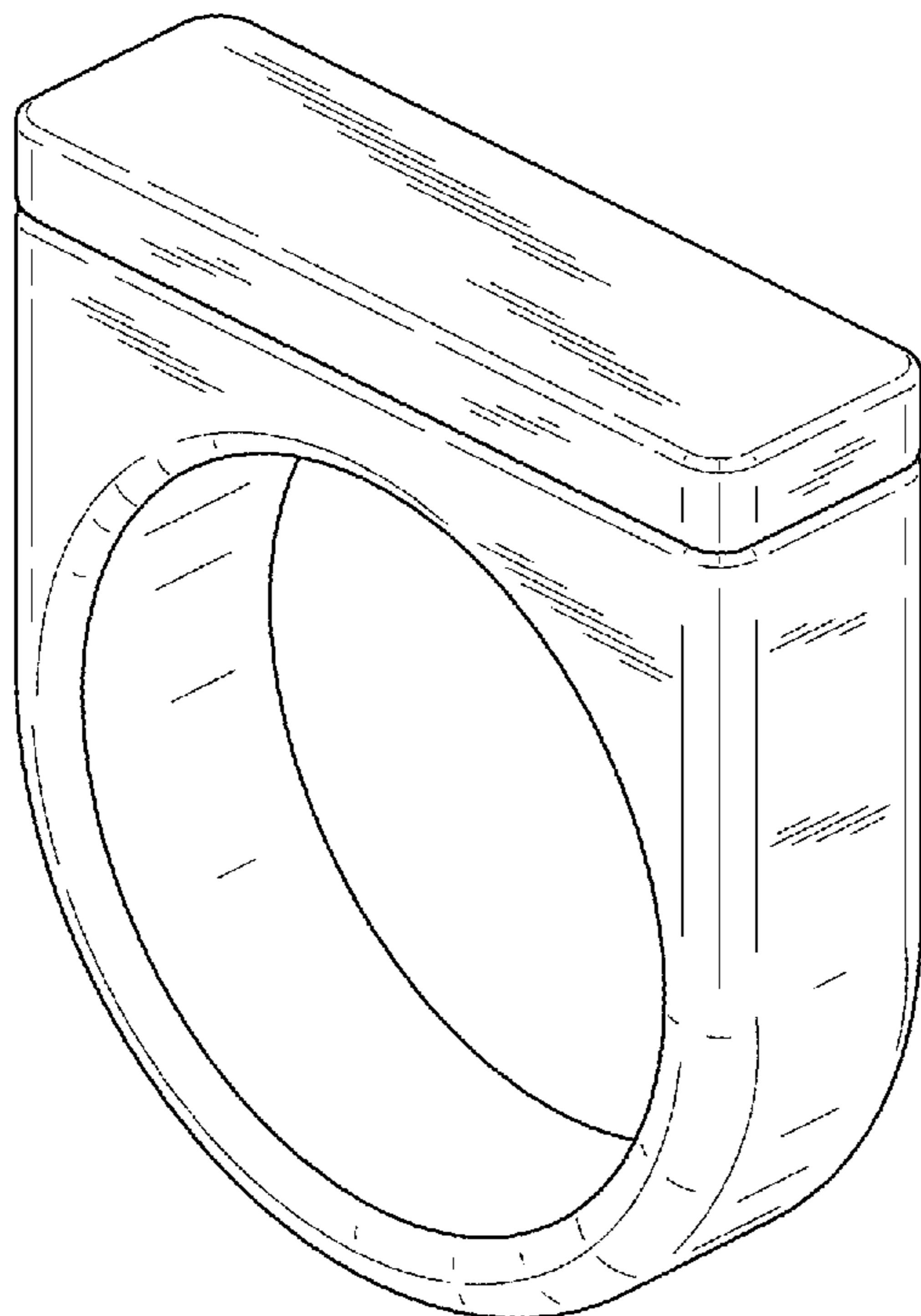
(57) **CLAIM**

The ornamental design for a propeller ring, as shown and described.

DESCRIPTION

FIG. 1 is a perspective view of the ring of the present design; FIG. 2 is a front view of the ring shown in FIG. 1; FIG. 3 is a side view of the ring shown in FIG. 1; FIG. 4 is a top view of the ring of FIG. 1; FIG. 5 is a bottom view of the ring of FIG. 1; and FIG. 6 is a perspective view of the ring shown in FIG. 1 shown in an alternate position; FIG. 7 is a perspective view of the ring shown in FIG. 1 shown in an alternate position; FIG. 8 is a perspective view of the ring shown in FIG. 1 shown in an alternate position; and, FIG. 9 is a perspective view of the ring shown in FIG. 1 shown in an alternate position.

1 Claim, 4 Drawing Sheets



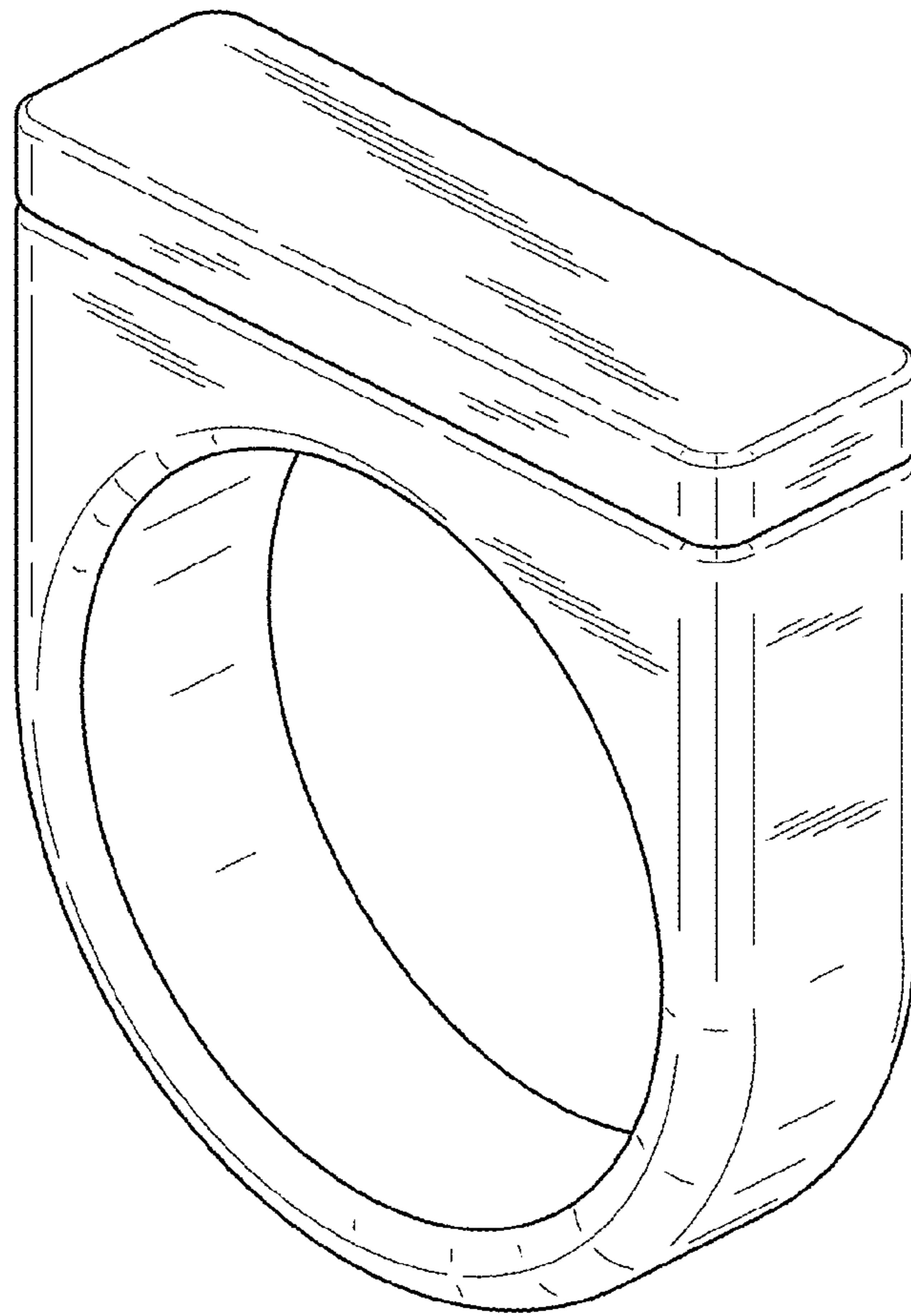


FIG. 1

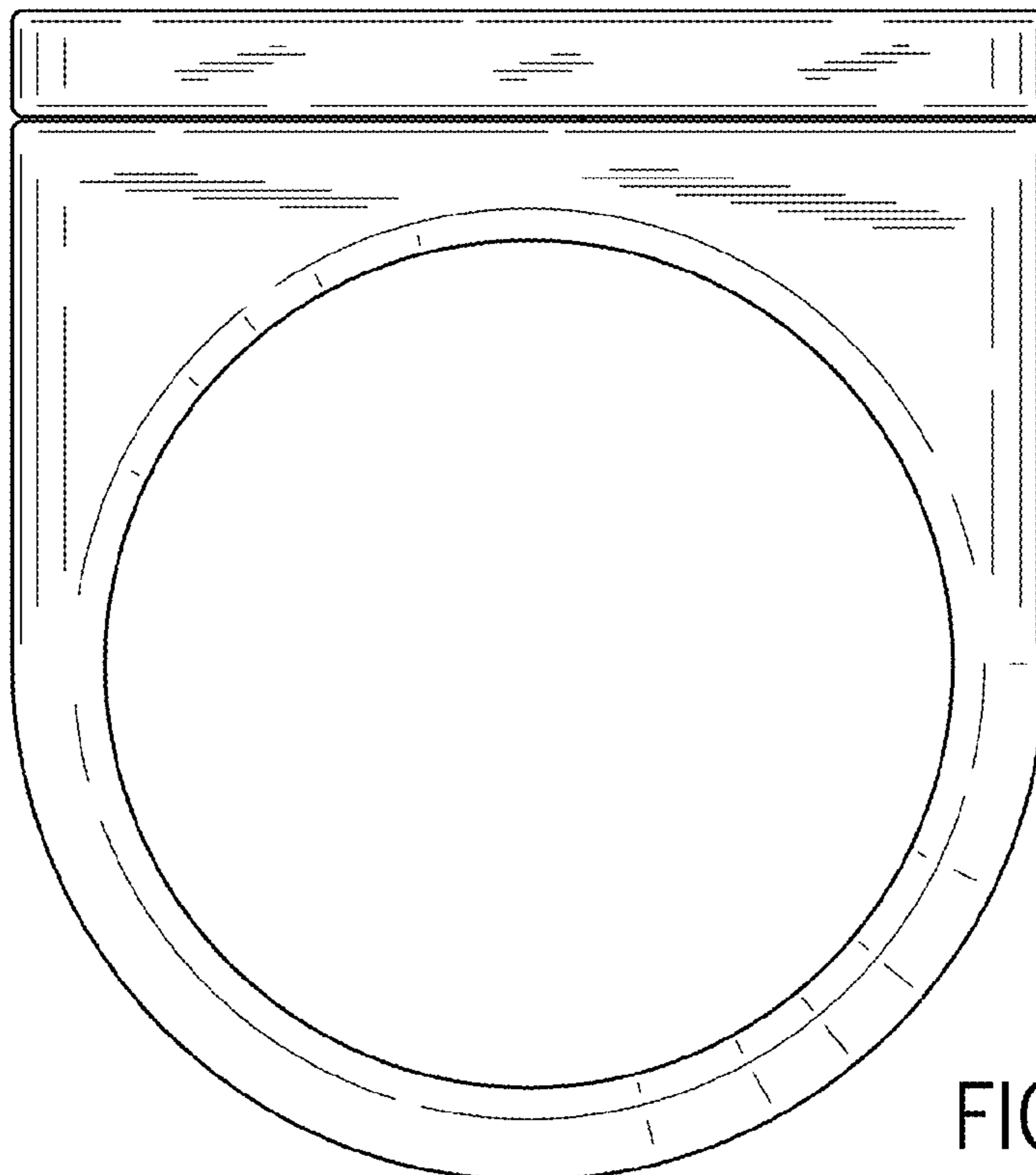


FIG. 2

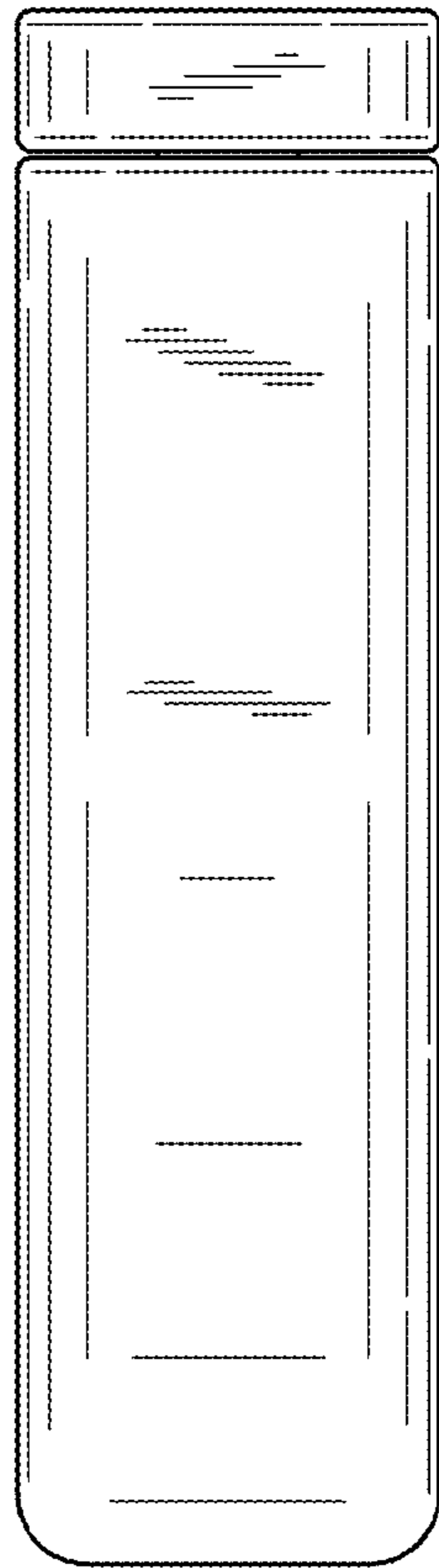


FIG. 3

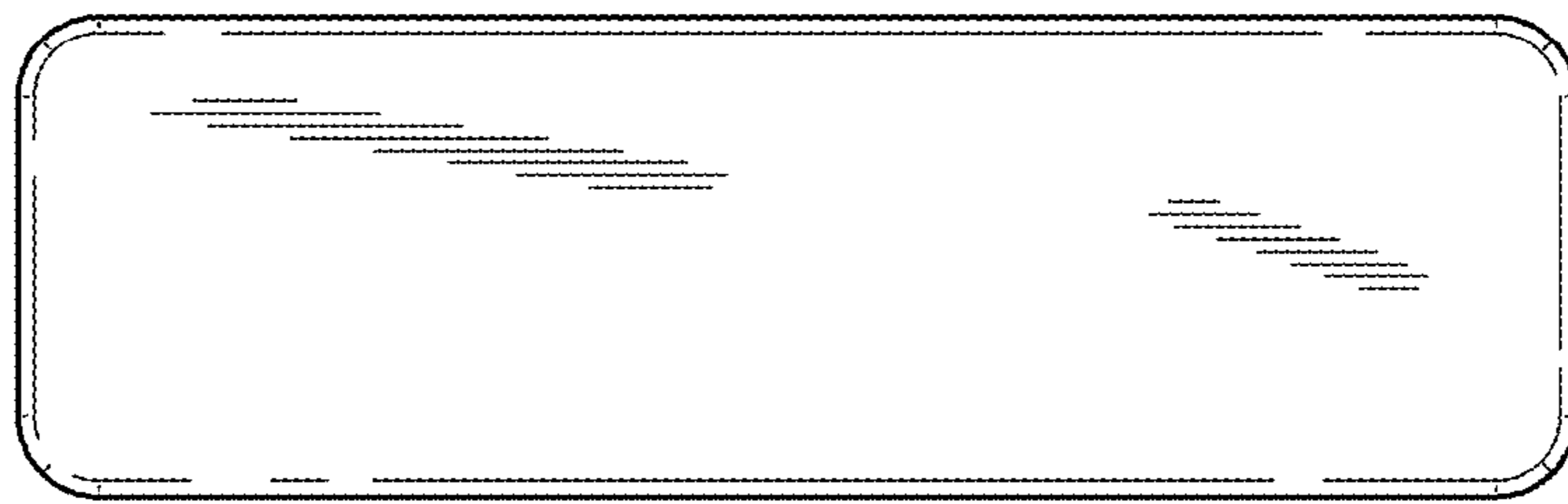


FIG. 4

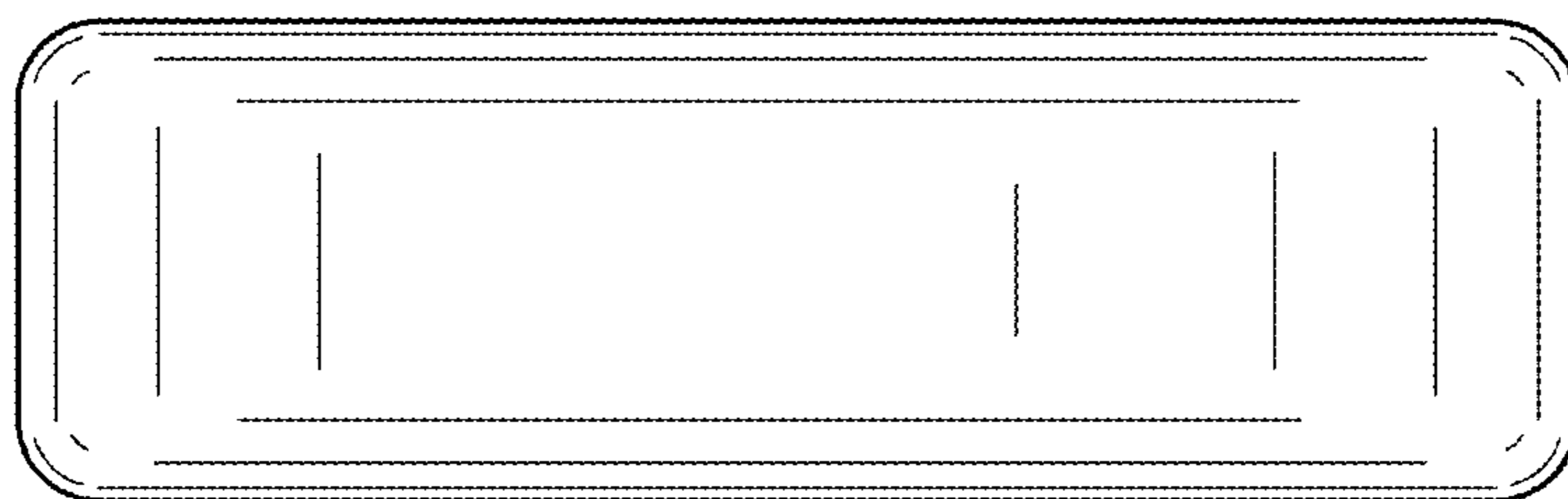


FIG. 5

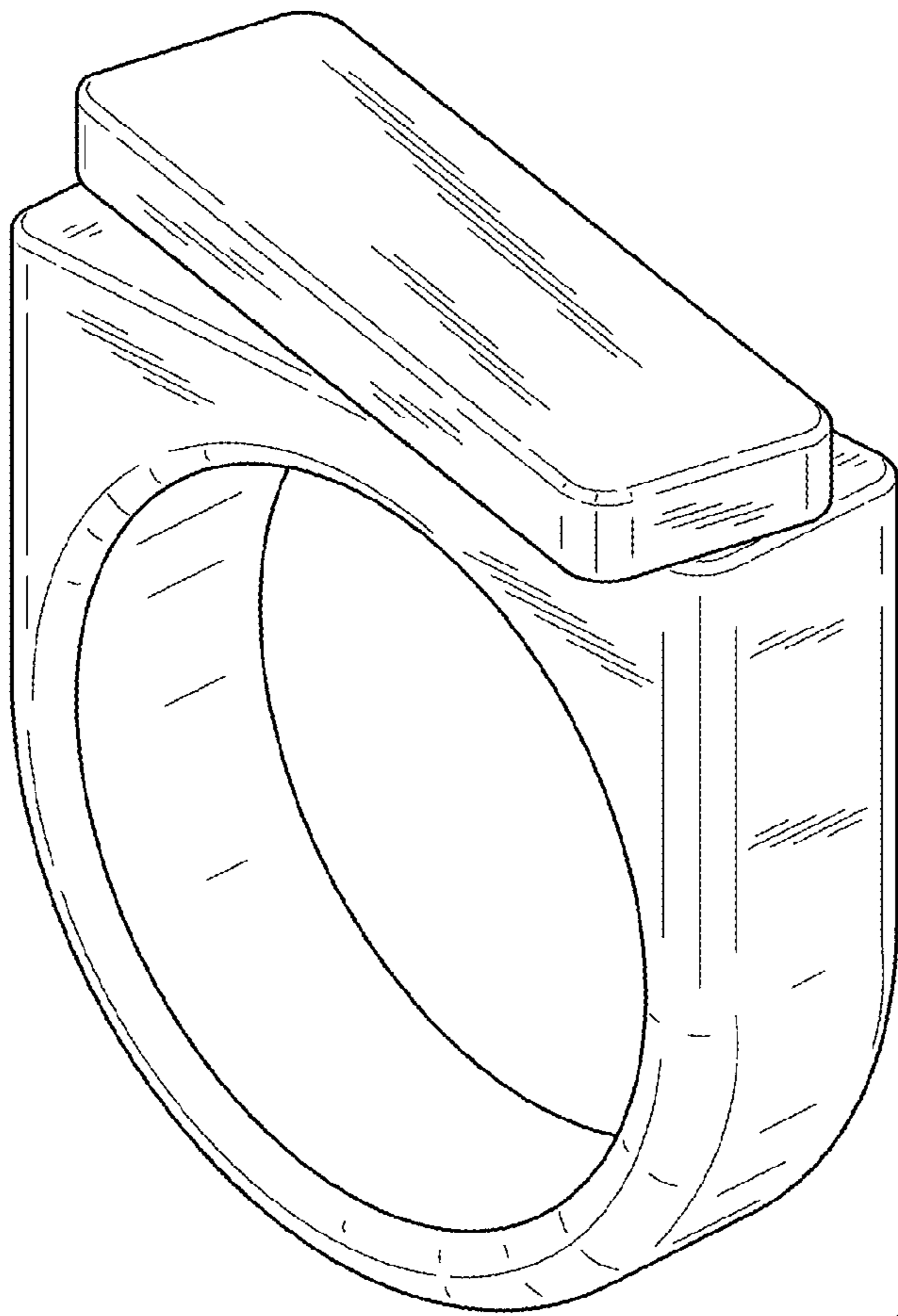


FIG. 6

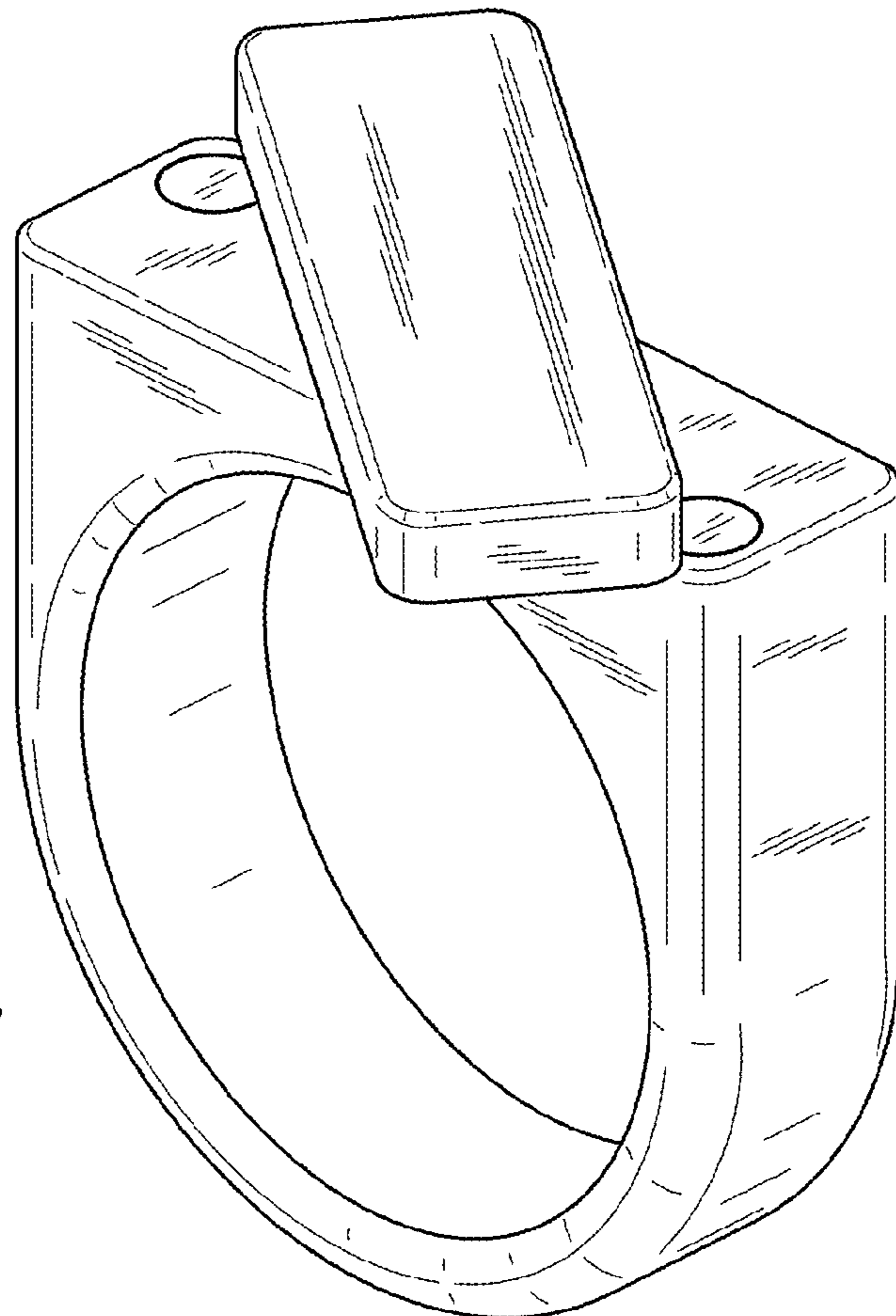


FIG. 7

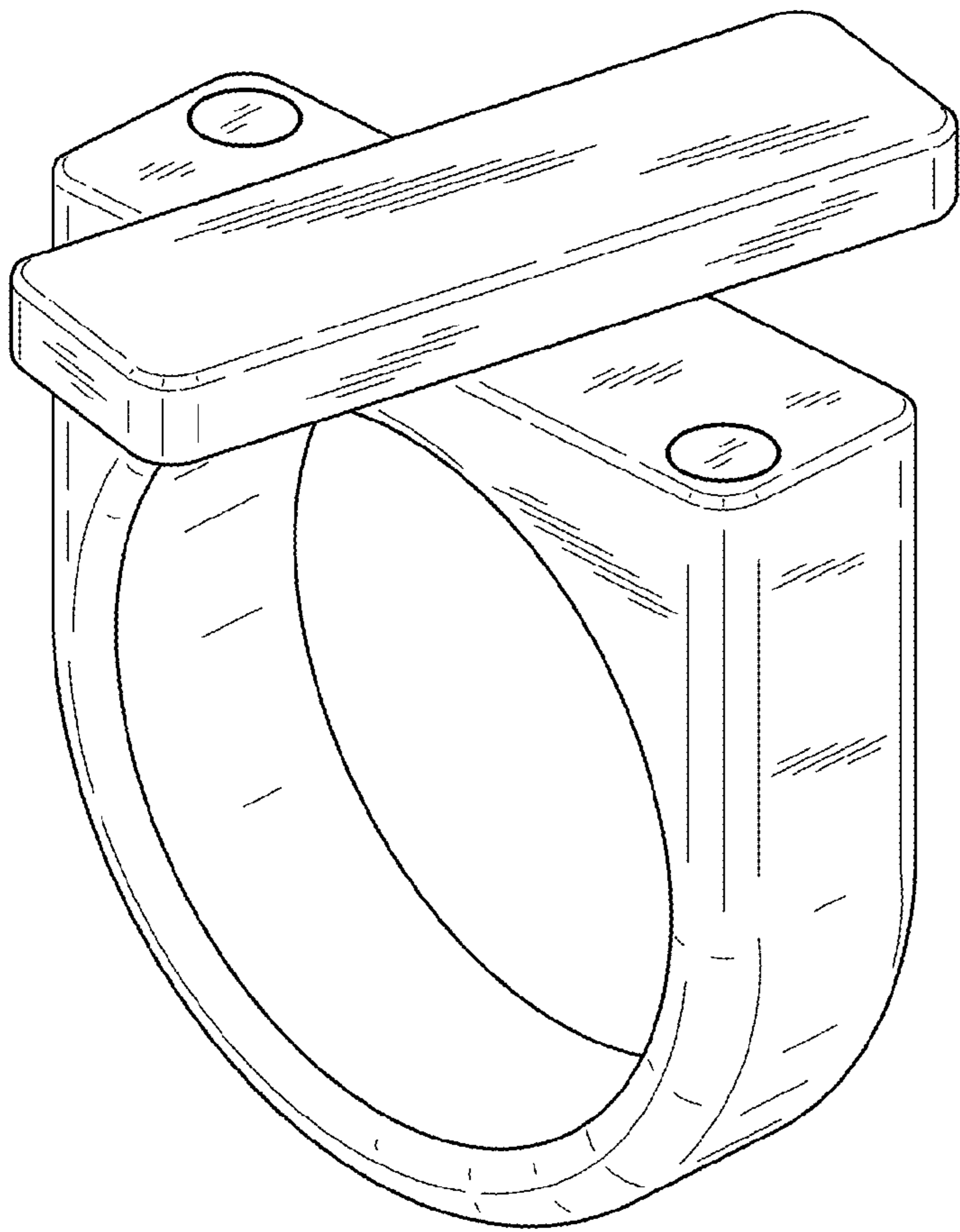


FIG. 8

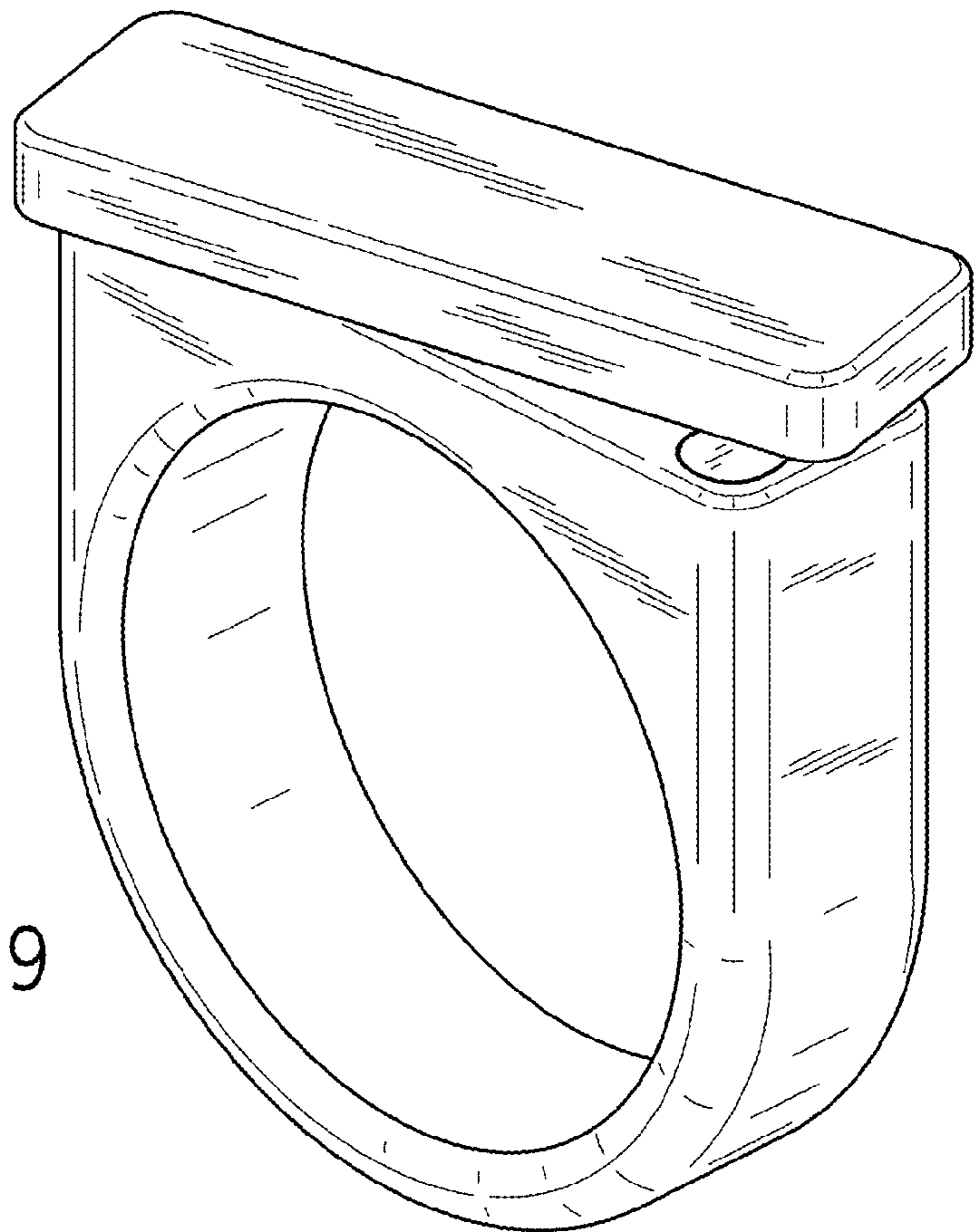


FIG. 9