



US00D902061S

(12) **United States Design Patent**
Dabule

(10) **Patent No.:** **US D902,061 S**

(45) **Date of Patent:** **** Nov. 17, 2020**

(54) **WATER METER**

(71) Applicant: **Axioma metering, UAB**, Kauno r. (LT)

(72) Inventor: **Sigita Dabule**, Kauno r. (LT)

(73) Assignee: **Axioma Metering, UAB**, Kaunas (LT)

(**) Term: **15 Years**

(21) Appl. No.: **35/507,681**

(22) Filed: **Nov. 7, 2018**

(80) **Hague Agreement Data**

Int. Filing Date: **Nov. 7, 2018**

Int. Reg. No.: **DM/203703**

Int. Reg. Date: **Nov. 7, 2018**

Int. Reg. Pub. Date: **Nov. 8, 2019**

(51) **LOC (12) Cl.** **10-04**

(52) **U.S. Cl.**
USPC **D10/99**

(58) **Field of Classification Search**
USPC D10/99, 96
See application file for complete search history.

(56) **References Cited**

U.S. PATENT DOCUMENTS

D559,717 S * 1/2008 Hendey D10/96
D675,121 S * 1/2013 Azuma D10/96

D680,457 S * 4/2013 Hendey, Sr. D10/99
D718,165 S * 11/2014 Dick D10/99
D818,851 S * 5/2018 Caldwell D10/56
D864,776 S * 10/2019 Hendey, Sr. D10/99

* cited by examiner

Primary Examiner — George D. Kirschbaum

(74) *Attorney, Agent, or Firm* — AAA Law

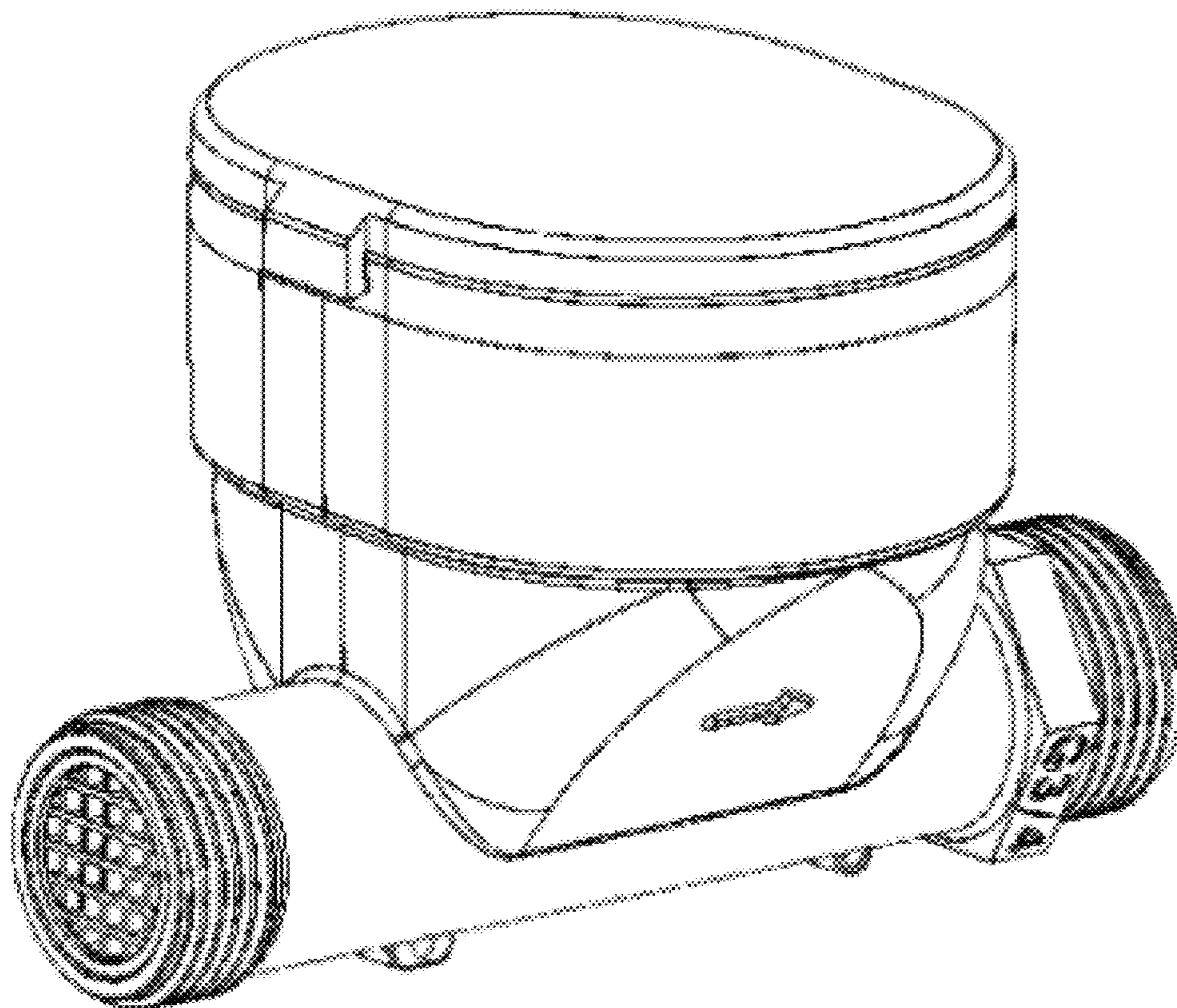
(57) **CLAIM**

The ornamental design for a water meter, as shown and described.

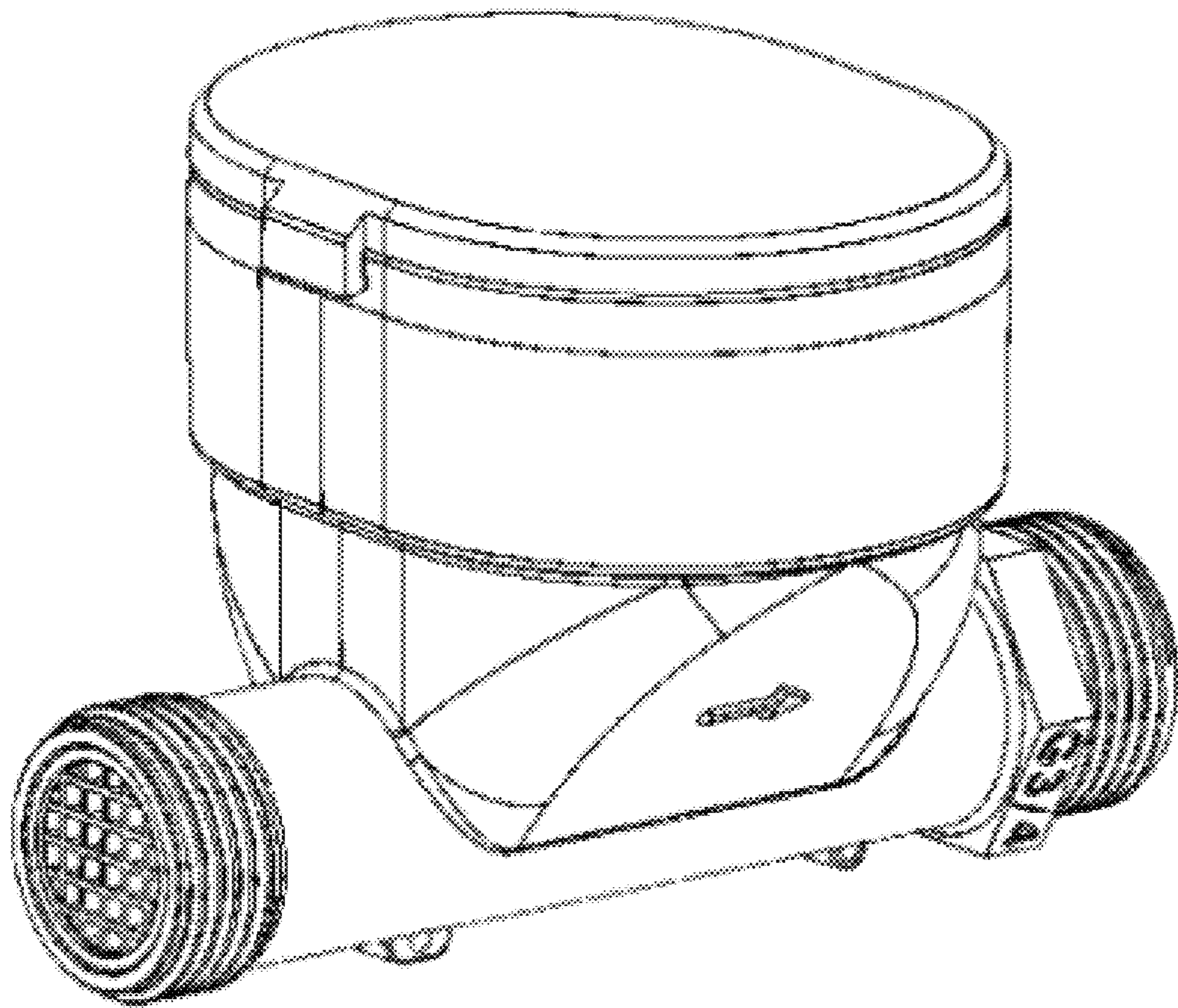
DESCRIPTION

- 1. Water meter
- 1.1 is a front perspective view.
- 1.2 is a front view perspective shown in an alternate position.
- 1.3 is a top view.
- 1.4 is a top view shown in an alternate position.
- 1.5 is a bottom view.
- 1.6 is a left side view.
- 1.7 is a right side view.
- 1.8 is a front view.
- 1.9 is a rear view.

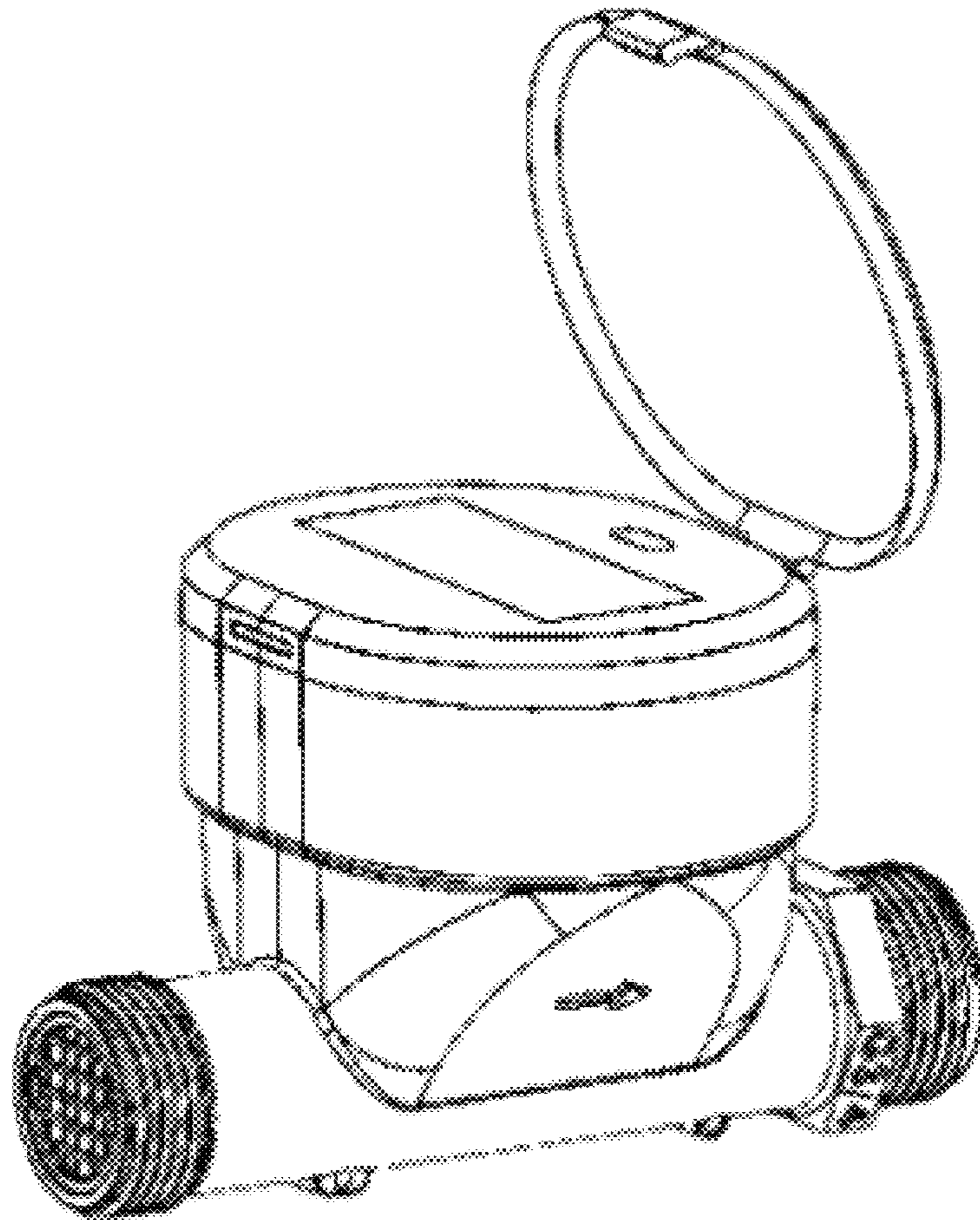
1 Claim, 9 Drawing Sheets



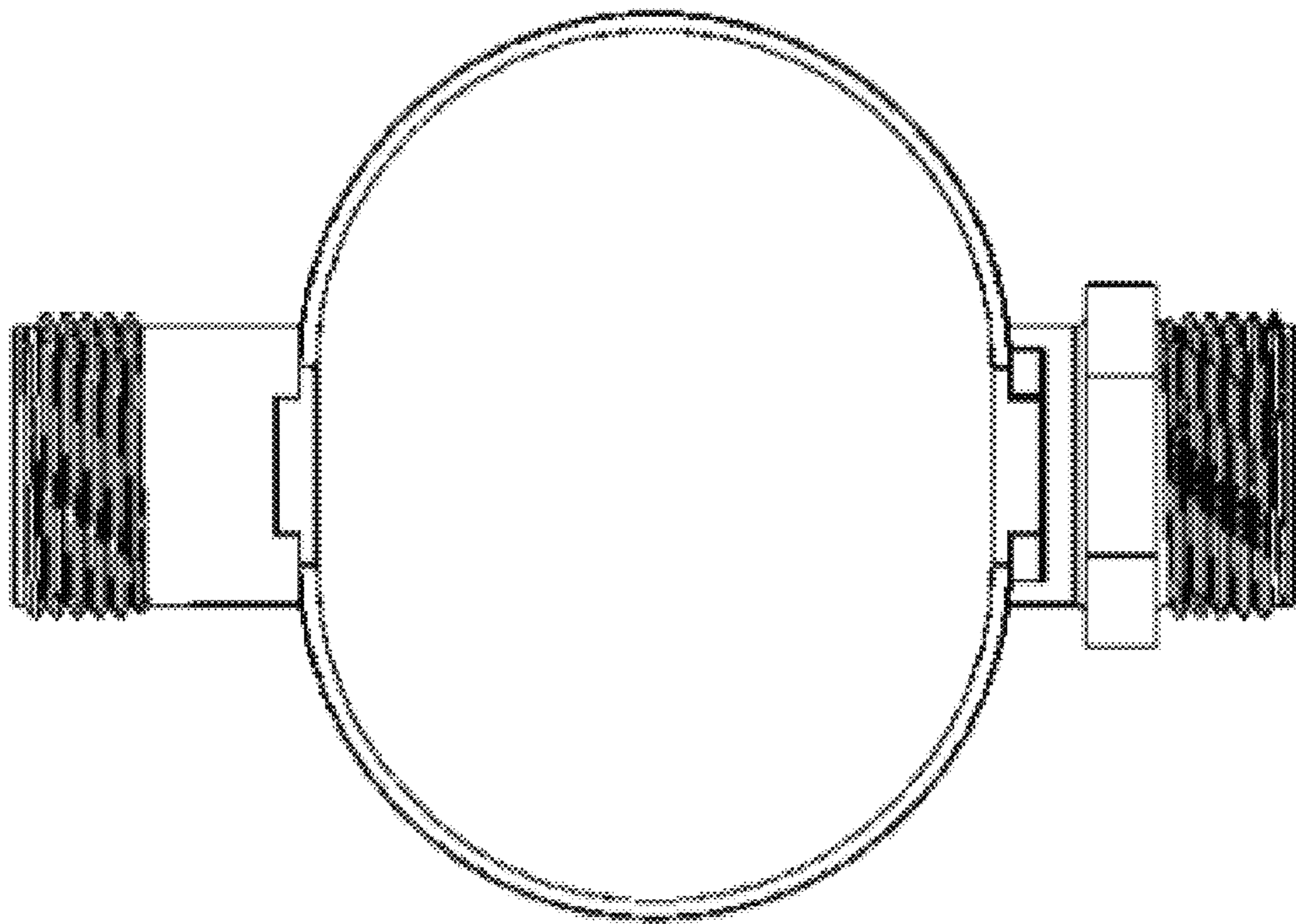
1.1



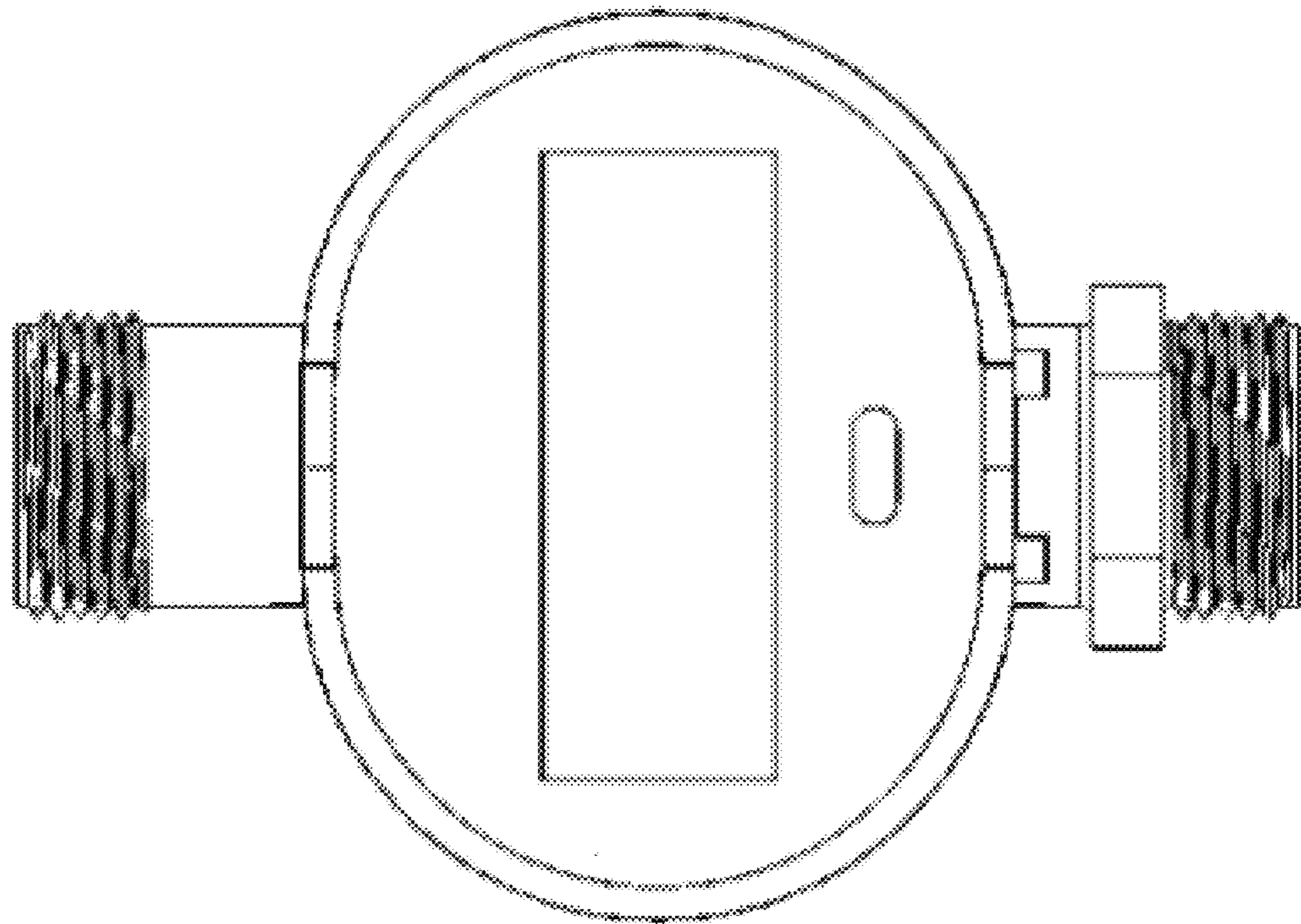
1.2



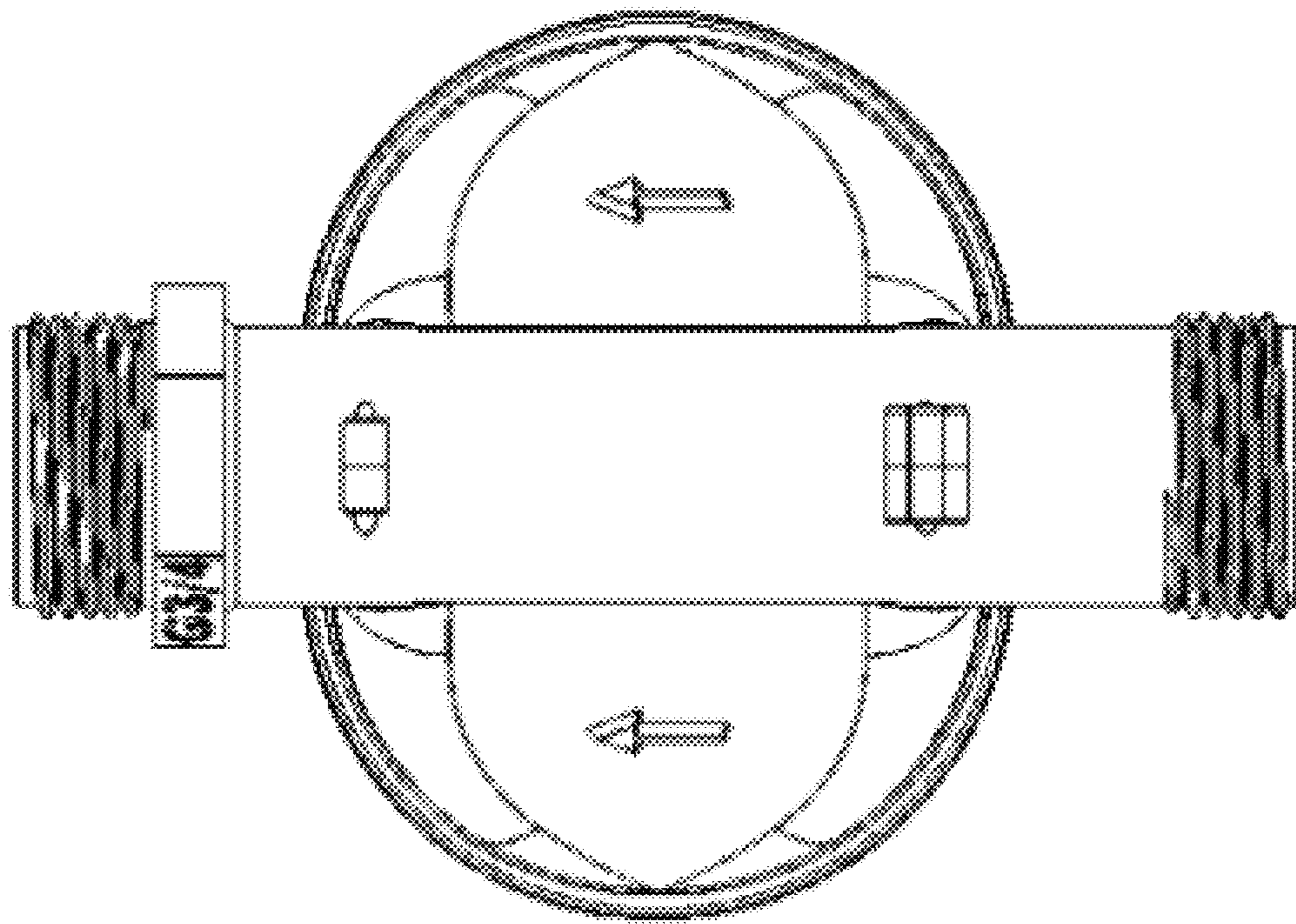
1.3



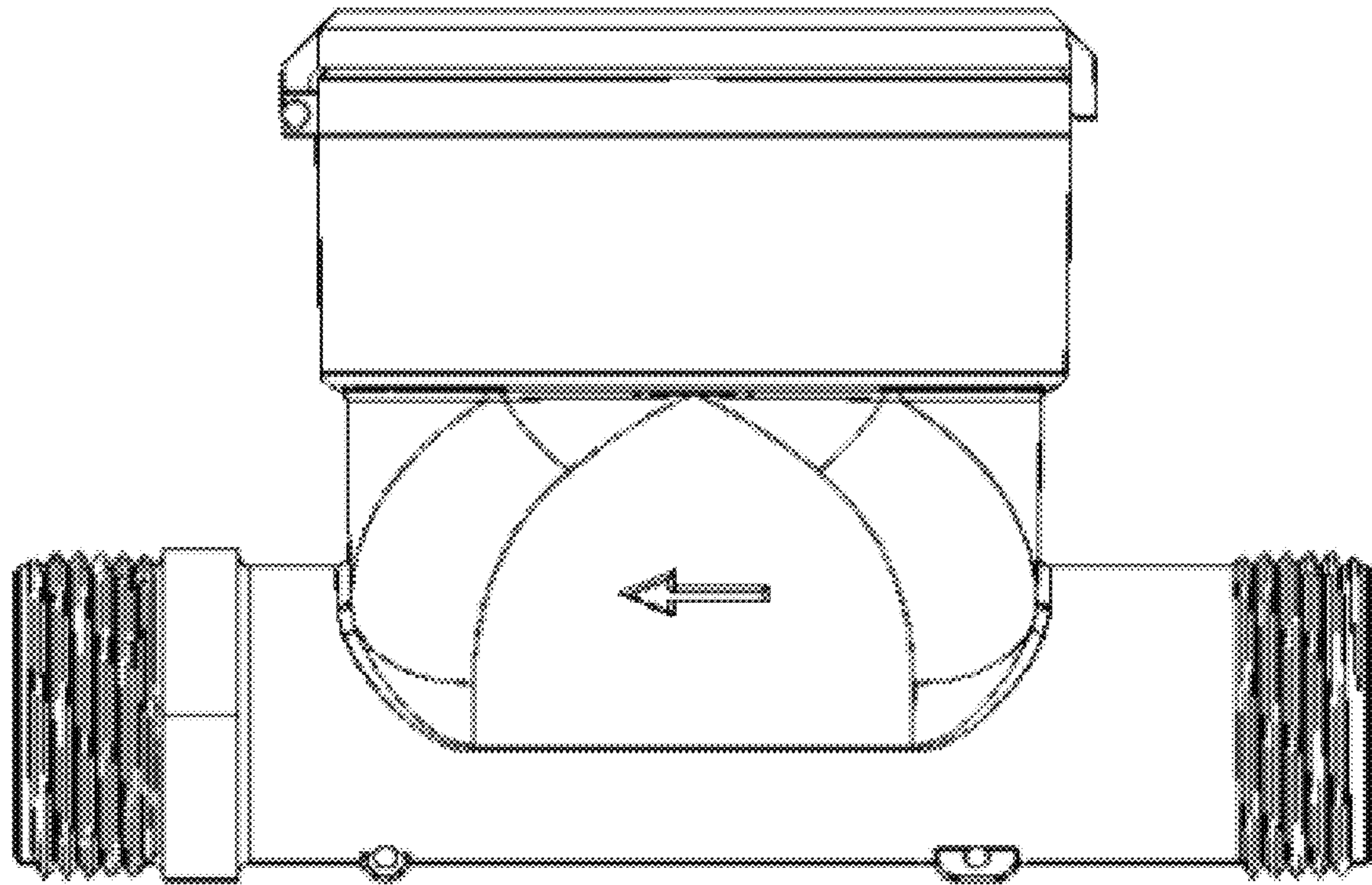
1.4



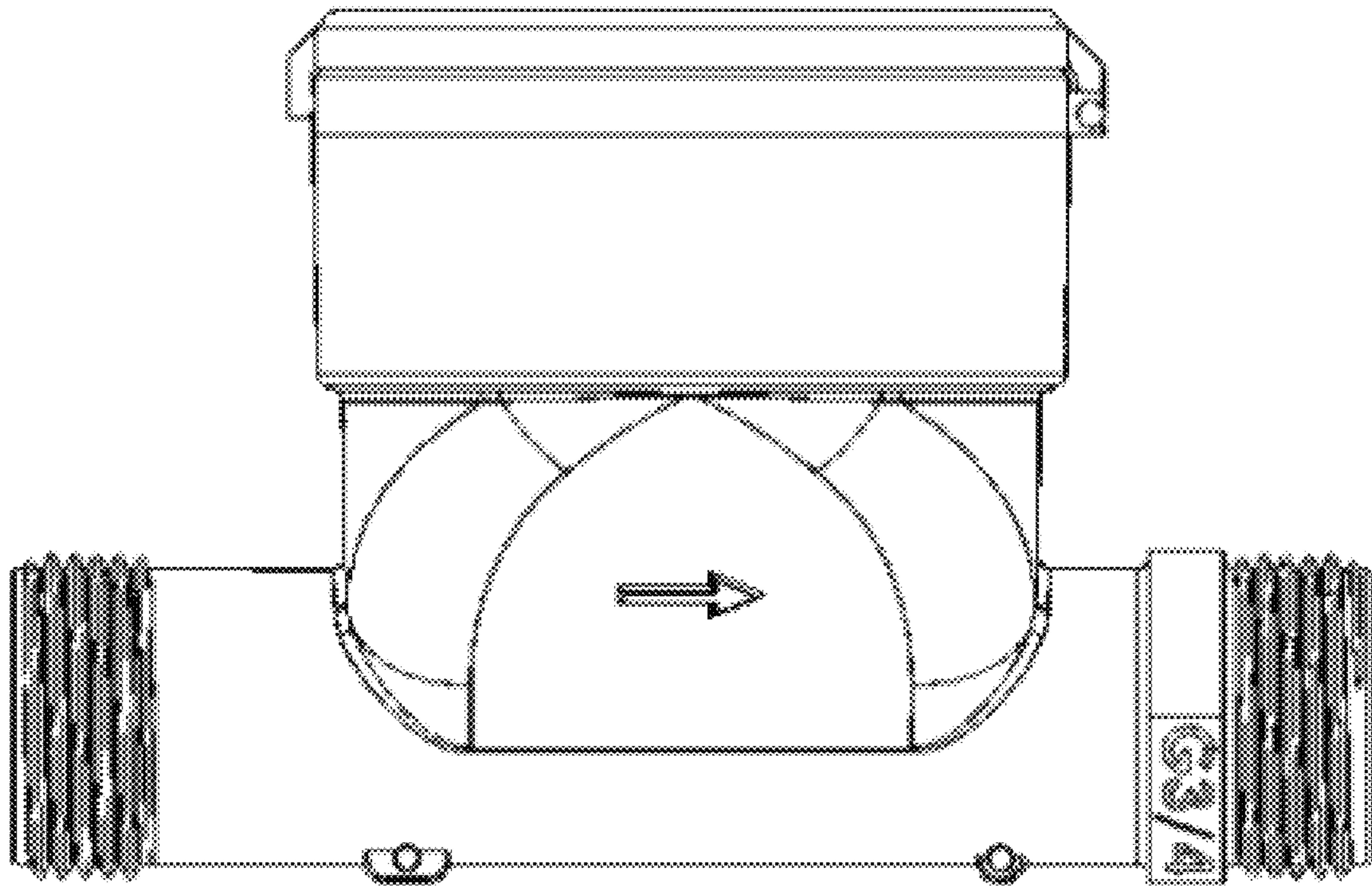
1.5



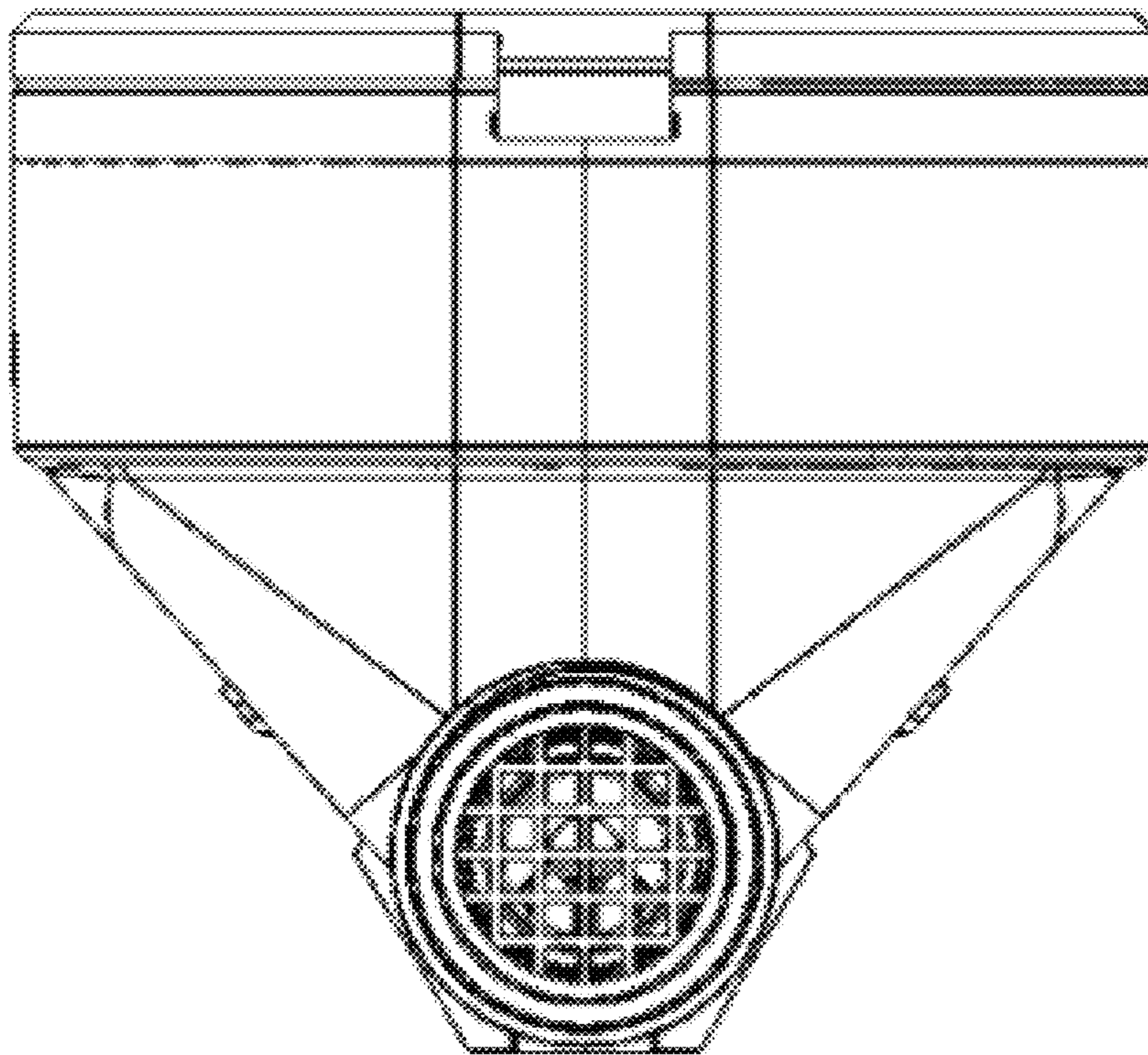
1.6



1.7



1.8



1.9

