

US00D902059S

(12) **United States Design Patent**
Graykowski et al.

(10) **Patent No.:** **US D902,059 S**

(45) **Date of Patent:** **** Nov. 17, 2020**

(54) **LEVEL**

FOREIGN PATENT DOCUMENTS

(71) Applicant: **Milwaukee Electric Tool Corporation**,
Brookfield, WI (US)

CN 201964885 9/2011
CN 302841208 6/2014

(Continued)

(72) Inventors: **Anthony S. Graykowski**, Belgium, WI
(US); **Eric Mackey**, Milwaukee, WI
(US); **Andrew Kenneth Dorscheid**,
Waunakee, WI (US); **Joseph William
Burge**, Milwaukee, WI (US)

Primary Examiner — Antoine Duval Davis

(74) *Attorney, Agent, or Firm* — Reinhart Boerner Van
Deuren s.c.

(73) Assignee: **Milwaukee Electric Tool Corporation**,
Brookfield, WI (US)

(57) **CLAIM**

(**) Term: **15 Years**

We claim the ornamental design for a level, as shown and
described.

(21) Appl. No.: **29/707,424**

(22) Filed: **Sep. 27, 2019**

DESCRIPTION

Related U.S. Application Data

(62) Division of application No. 29/645,744, filed on Apr.
28, 2018, now Pat. No. Des. 866,365.

(51) **LOC (12) Cl.** **10-04**

(52) **U.S. Cl.**
USPC **D10/69**

(58) **Field of Classification Search**

USPC D10/69
CPC ... G01C 9/24; G01C 9/26; G01C 9/28; G01C
9/30; G01C 9/32; G01C 9/34; G01C
9/36; G01C 15/00; G01C 15/002; G01C
15/004; G01C 15/006; G01C 15/008;
G01C 15/02; G01C 15/04; G01C 15/06;
G01C 15/08; G01C 15/10; G01C 15/105;
G01C 15/12; G01C 15/14

See application file for complete search history.

FIG. 1 is a perspective view from above of an embodiment
of the claimed design;
FIG. 2 is a perspective view from below of the claimed
design of FIG. 1;
FIG. 3 is a detailed perspective view from above of the
claimed design of FIG. 1;
FIG. 4 is a detailed perspective view from below of the
claimed design of FIG. 1;
FIG. 5 is a right side view of the claimed design of FIG. 1;
FIG. 6 is a left side view of the claimed design of FIG. 1;
FIG. 7 is a detailed right side view of the claimed design of
FIG. 1;
FIG. 8 is a detailed left side view of the claimed design of
FIG. 1;
FIG. 9 is a front view of the claimed design of FIG. 1;
FIG. 10 is a rear view of the claimed design of FIG. 1;
FIG. 11 is a top view of the claimed design of FIG. 1; and,
FIG. 12 is a bottom view of the claimed design of FIG. 1.
The ornamental design which is claimed is shown in solid
lines in the drawings. The broken lines in the drawings are
for illustrative purposes only and form no part of the claimed
design.

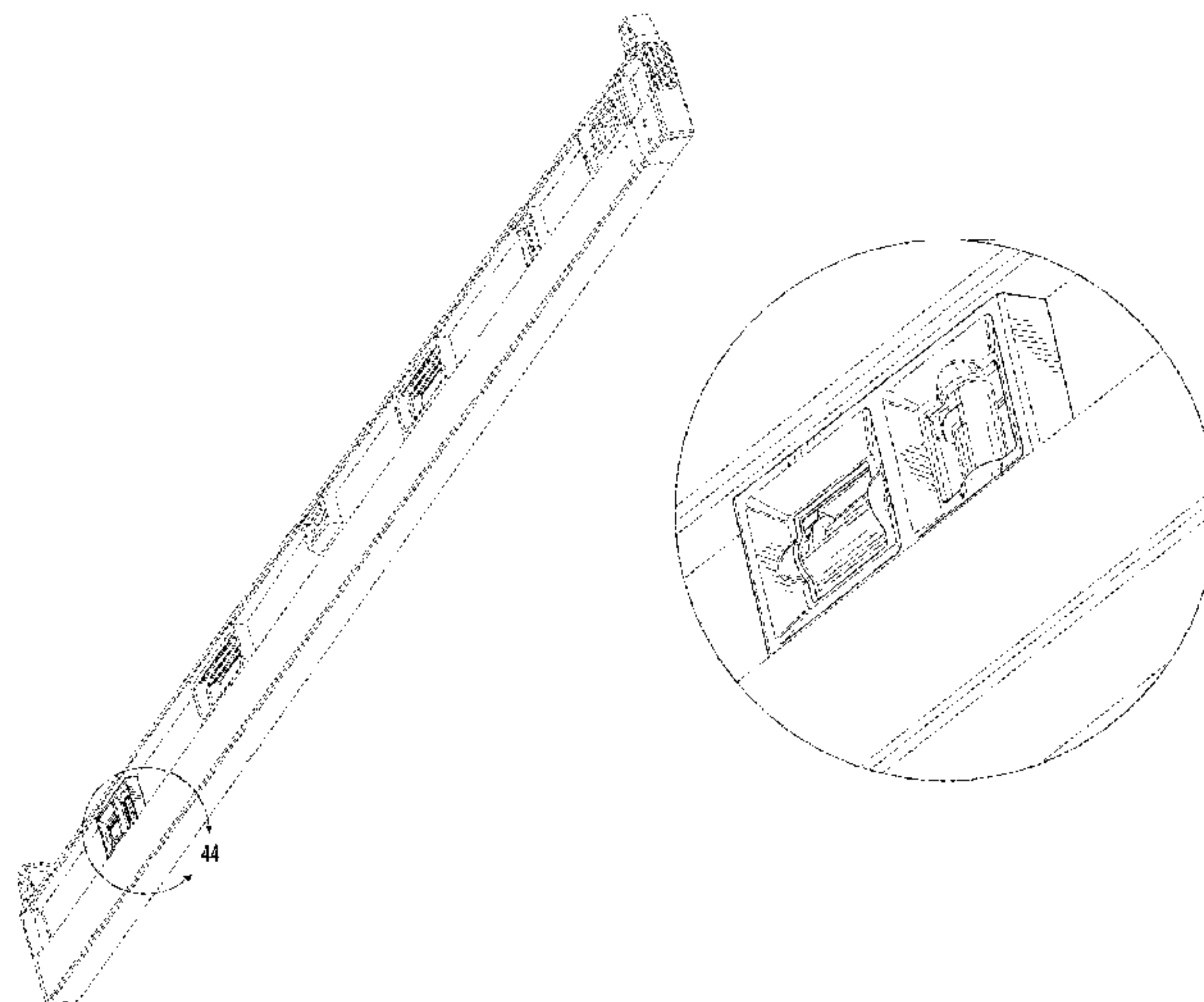
(56) **References Cited**

U.S. PATENT DOCUMENTS

684,846 A 10/1901 Moss
717,193 A 12/1902 Heghinian

(Continued)

1 Claim, 7 Drawing Sheets



(56)

References Cited

U.S. PATENT DOCUMENTS

887,256 A 5/1908 Konig
 921,773 A 5/1909 Wild
 1,032,379 A 7/1912 Cole
 1,137,169 A 4/1915 Dorison
 1,789,344 A 1/1931 Frank
 2,145,988 A 2/1939 Meder
 2,270,227 A 1/1942 Swanson
 2,419,451 A 4/1947 Keller
 2,627,115 A 2/1953 Pippin
 2,770,046 A 11/1956 Wichmann
 2,829,741 A 4/1958 Sellberg et al.
 2,909,839 A 10/1959 Miller
 3,104,477 A 9/1963 Edwill
 3,220,297 A 11/1965 Baker et al.
 3,383,772 A 5/1968 Gardner et al.
 3,648,378 A 3/1972 Thingstad et al.
 3,680,214 A 8/1972 Quenot
 4,099,331 A 7/1978 Peterson
 4,112,584 A 9/1978 Kooi et al.
 4,130,943 A 12/1978 Talbot
 4,150,492 A 4/1979 Tracy
 4,319,405 A 3/1982 Price
 4,399,616 A 8/1983 Jansson
 4,435,908 A 3/1984 Semler, Jr.
 4,621,431 A 11/1986 Fatool et al.
 4,894,925 A 1/1990 Langmaid
 4,928,395 A 5/1990 Good
 5,155,917 A 10/1992 Townsend et al.
 5,249,365 A 10/1993 Santiago
 5,388,338 A 2/1995 Majors
 5,412,875 A 5/1995 Hilderbrandt
 5,433,011 A 7/1995 Scarborough et al.
 5,524,353 A 6/1996 Fink
 5,577,327 A 11/1996 Archambault
 5,617,641 A 4/1997 Aarhus
 5,832,618 A 11/1998 Scarborough
 5,881,468 A 3/1999 Baumann
 5,915,810 A 6/1999 Cameron

6,041,510 A 3/2000 Huff
 6,047,478 A 4/2000 Sowers
 6,085,434 A 7/2000 Mitchell
 6,138,369 A 10/2000 Mushin
 6,148,529 A 11/2000 Kennedy
 6,167,631 B1 1/2001 Lin
 6,279,240 B1 8/2001 Bonaventura, Jr.
 6,293,023 B1 9/2001 Crowe
 6,293,024 B1 9/2001 Fiebig et al.
 6,637,120 B2 10/2003 Pustay
 6,640,455 B1 11/2003 Smothers
 6,915,585 B2 7/2005 Von Wedemeyer
 6,915,588 B1 7/2005 Gay
 7,086,166 B2 8/2006 Helda et al.
 7,281,335 B2 10/2007 Feliciano
 7,290,346 B2 11/2007 Szumer et al.
 7,299,560 B2 11/2007 Diaz et al.
 7,497,022 B1 3/2009 Aarhus
 7,520,066 B2 4/2009 Richins
 8,225,520 B2 7/2012 Rabin
 8,413,343 B2 4/2013 Hale
 8,539,686 B2 9/2013 Lais
 D750,512 S 3/2016 Wojciechowski et al.
 2002/0116833 A1 8/2002 Hollenbeck
 2004/0172846 A1 9/2004 McRae
 2013/0326895 A1 12/2013 Bureau

FOREIGN PATENT DOCUMENTS

EP 1395792 2/2008
 GB 1155287 6/1969
 GB 2371583 7/2002
 TW M263493 5/2005
 TW D186344 11/2017
 WO WO1987002314 4/1987
 WO WO1992020998 11/1992
 WO WO9504915 2/1995
 WO WO1997029345 8/1997
 WO WO9841817 9/1998
 WO WO2000063644 10/2000
 WO WO2003106926 12/2003

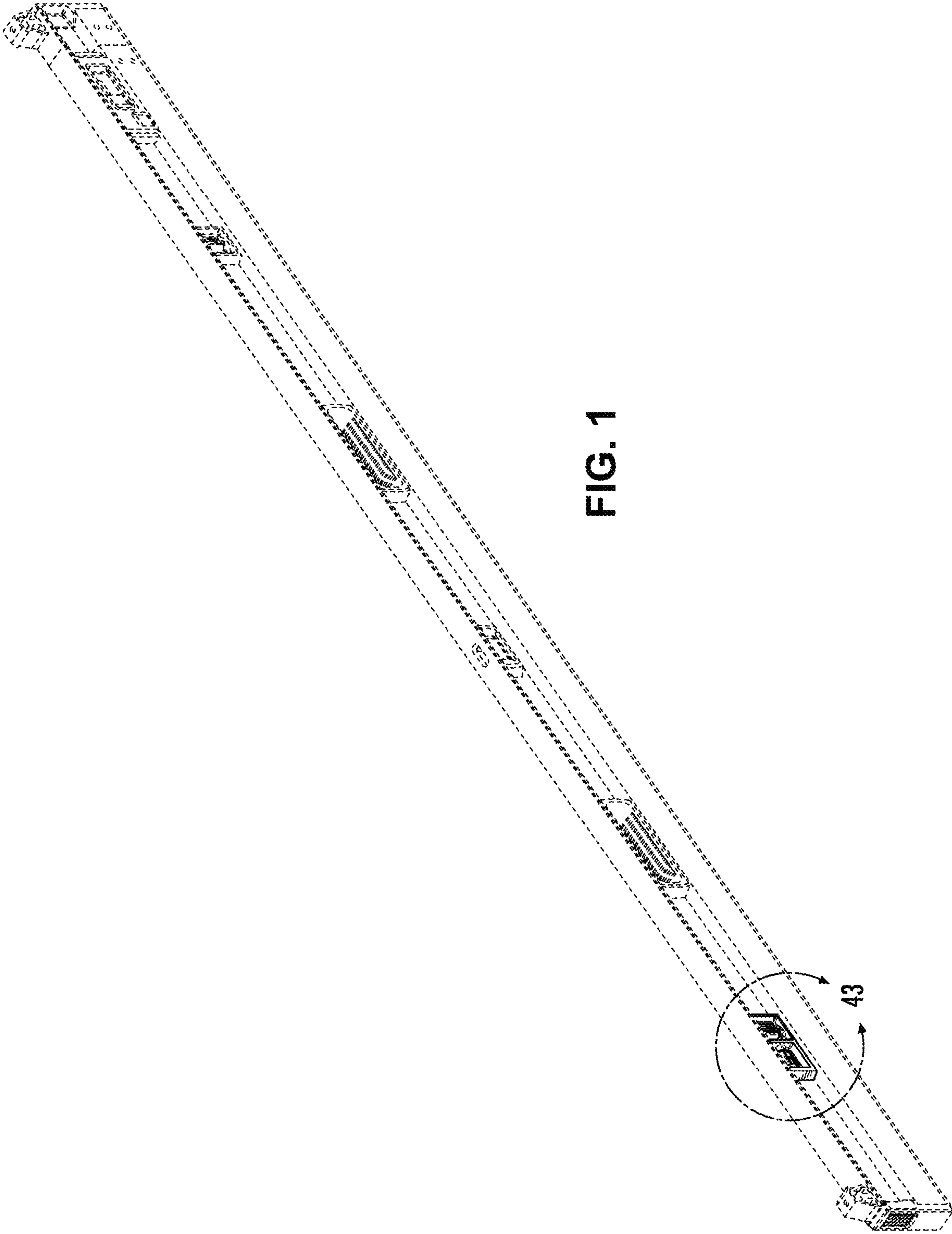


FIG. 1

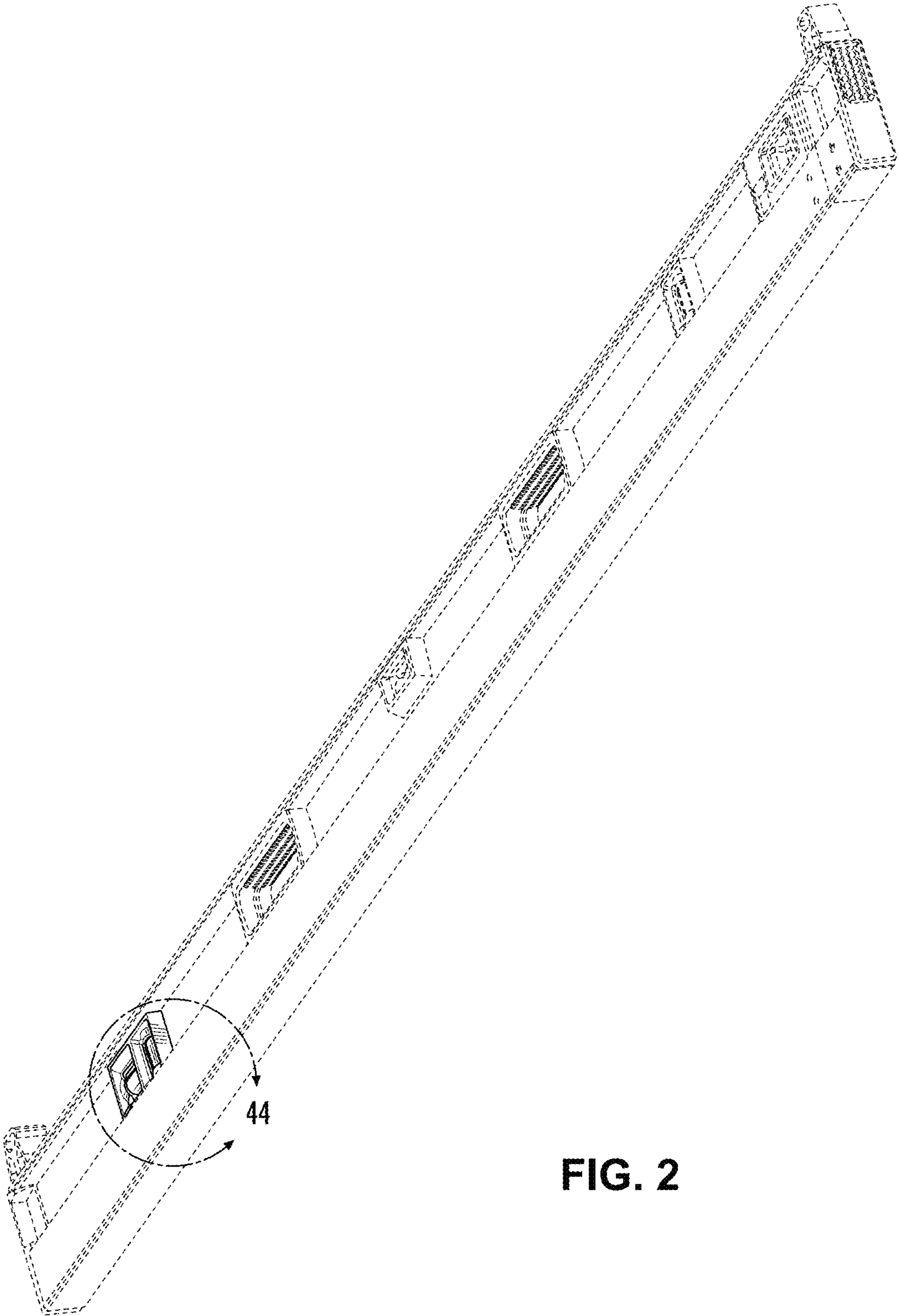


FIG. 2

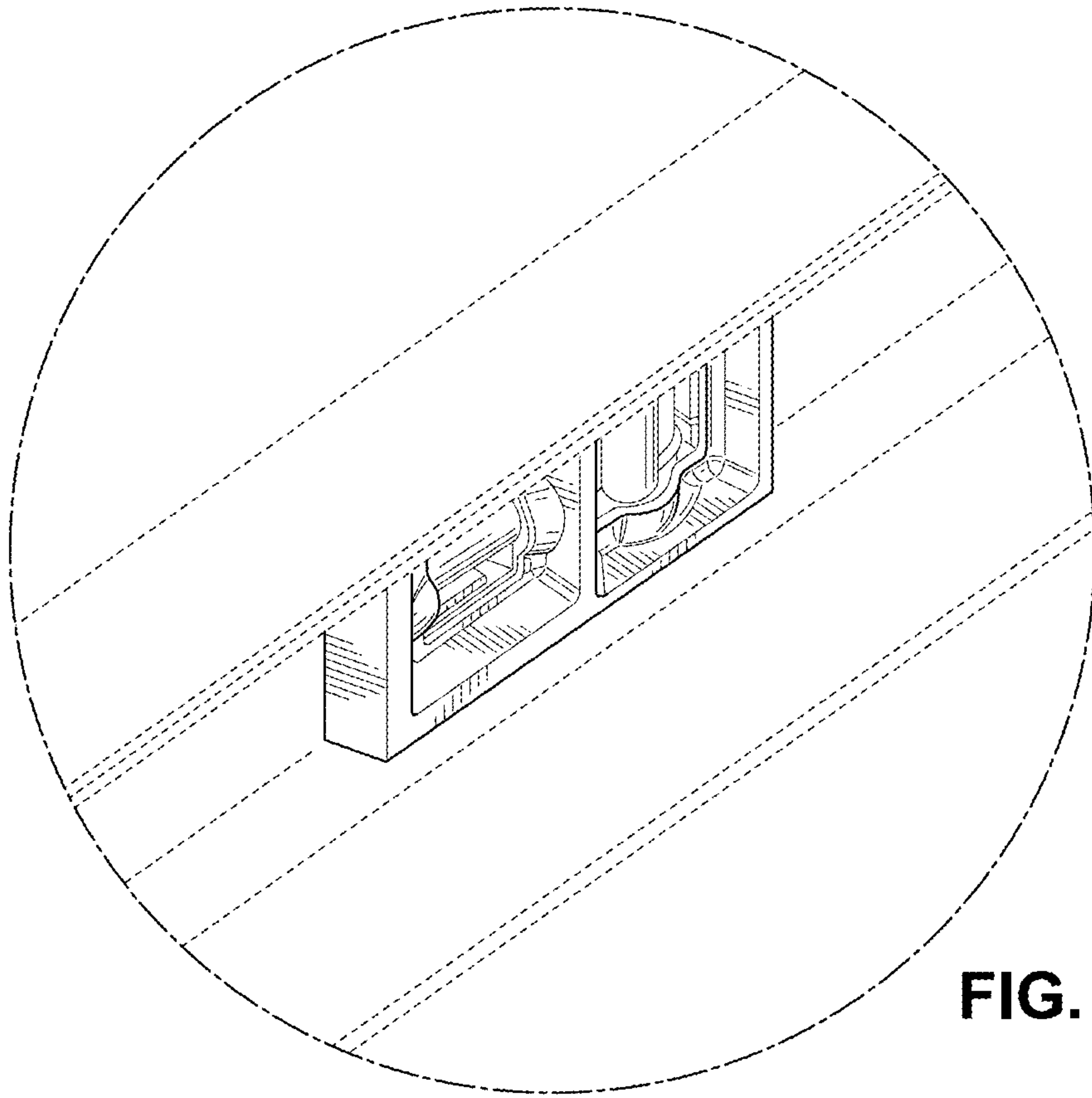


FIG. 3

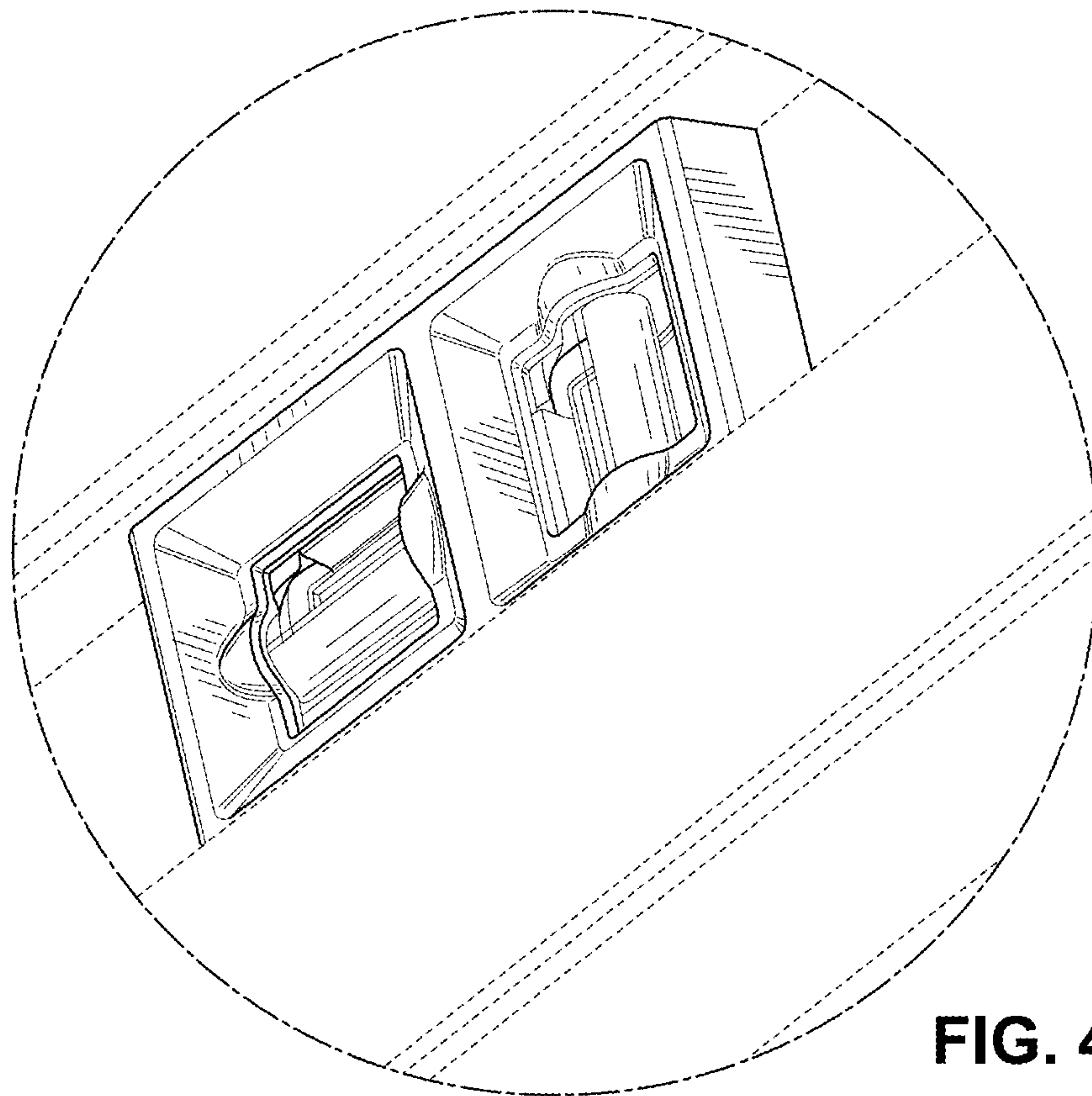


FIG. 4

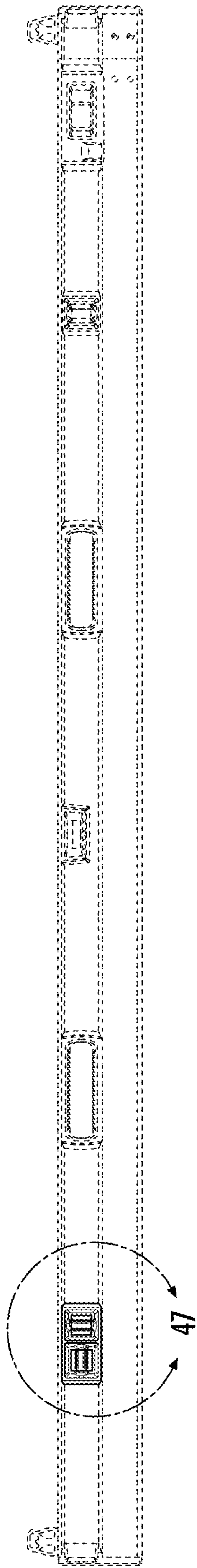


FIG. 5

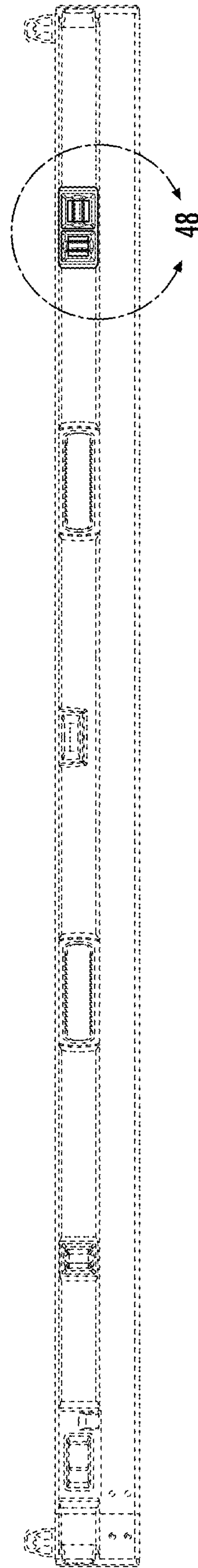


FIG. 6

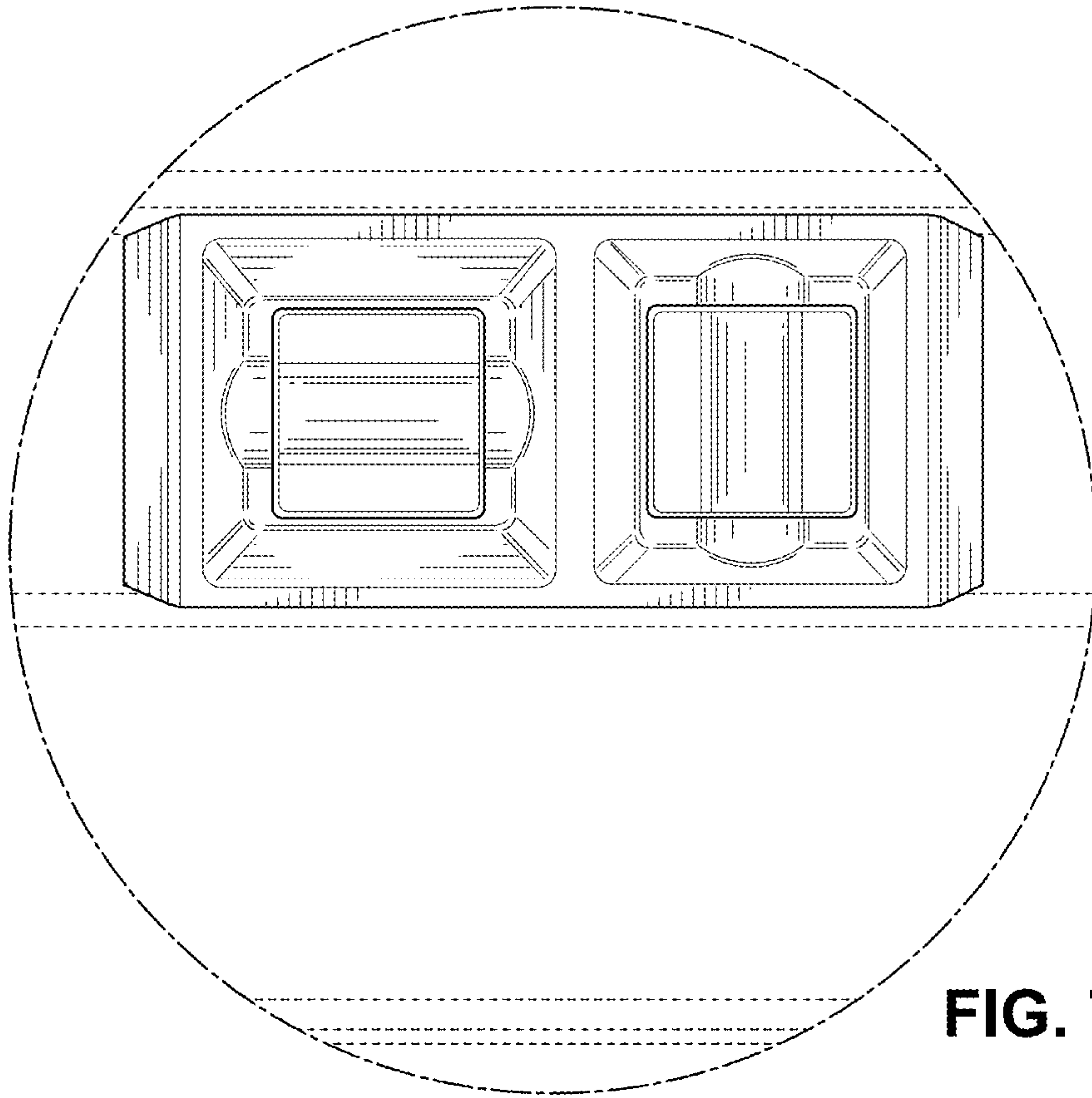


FIG. 7

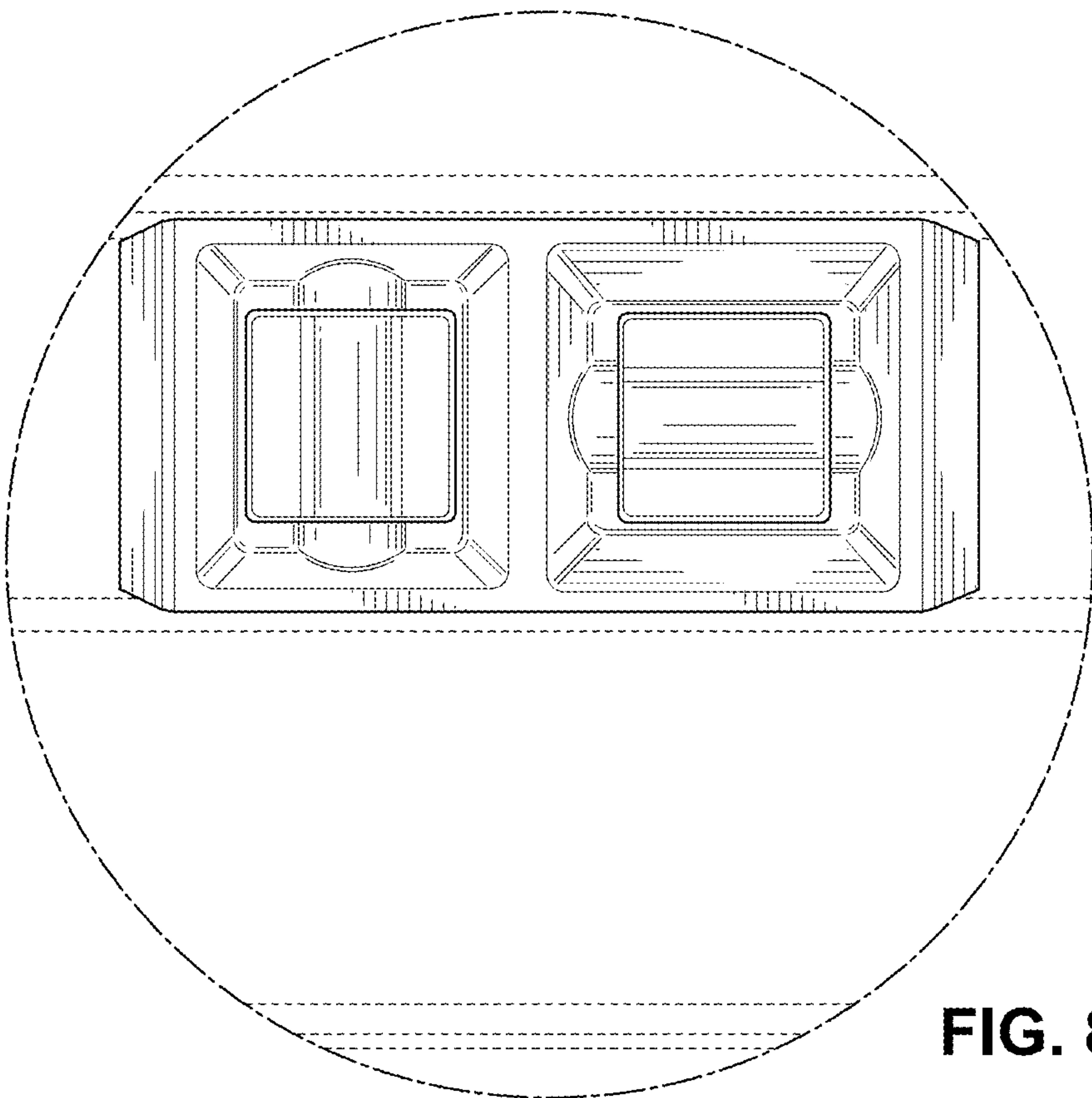


FIG. 8



FIG. 9



FIG. 10



FIG. 11

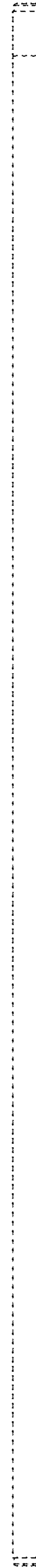


FIG. 12