



US00D902058S

(12) **United States Design Patent**  
**Dobek**

(10) **Patent No.:** **US D902,058 S**

(45) **Date of Patent:** **\*\* Nov. 17, 2020**

(54) **BOW TYING TEMPLATE**

(71) Applicant: **Rose A. Dobek**, Macomb Township, MI (US)

(72) Inventor: **Rose A. Dobek**, Macomb Township, MI (US)

(\*\*) Term: **15 Years**

(21) Appl. No.: **29/740,134**

(22) Filed: **Jul. 1, 2020**

(51) **LOC (12) Cl.** ..... **10-04**

(52) **U.S. Cl.**  
USPC ..... **D10/65; D10/64; D3/26**

(58) **Field of Classification Search**  
USPC ..... D3/18, 20, 26; D10/64, 65  
CPC ..... D04D 7/04; D04D 7/10; D04D 11/00  
See application file for complete search history.

(56) **References Cited**

**U.S. PATENT DOCUMENTS**

3,501,070 A	3/1970	Shattuck	
5,411,188 A	5/1995	Teuten	
5,797,526 A	8/1998	Wells	
D528,931 S *	9/2006	Serpa	..... D10/65

8,403,145 B1	3/2013	Yip et al.	
D680,887 S *	4/2013	Dressel	..... D10/64
D682,123 S *	5/2013	Robinson	..... D10/64
D741,592 S	10/2015	Shainwald et al.	
2008/0038489 A1	2/2008	Lodge et al.	
2010/0047604 A1	2/2010	Stratton-Metzger	
2015/0050433 A1	2/2015	Murray	

\* cited by examiner

*Primary Examiner* — Antoine Duval Davis  
(74) *Attorney, Agent, or Firm* — Cramer Patent & Design, PLLC; Aaron R. Cramer

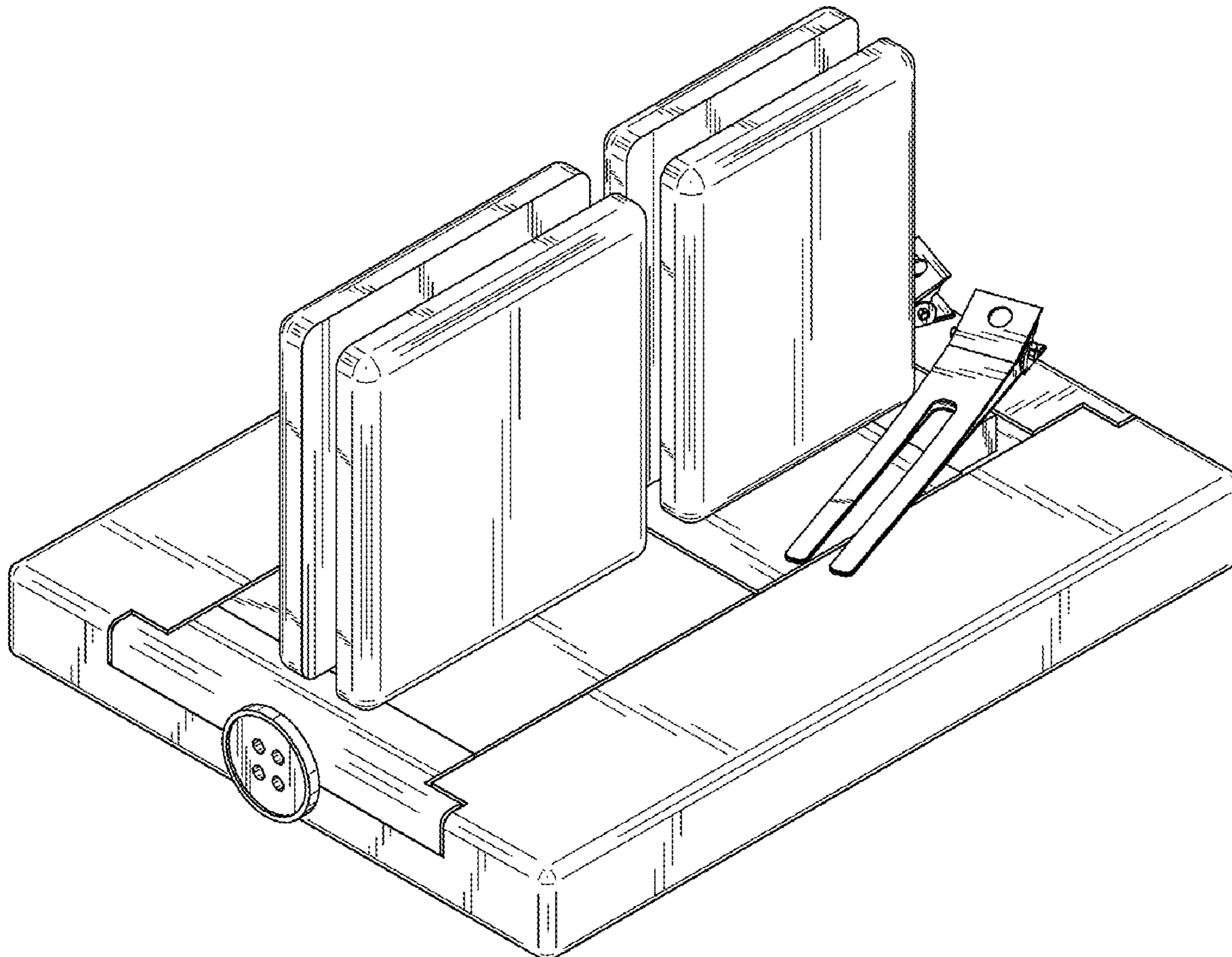
(57) **CLAIM**

The ornamental design for a bow tying template, as shown and described.

**DESCRIPTION**

FIG. 1 is a perspective top front right view of a bow tying template, showing my new design; FIG. 2 is a perspective top rear left view thereof; FIG. 3 is a front elevation view thereof; FIG. 4 is a rear elevation view thereof; FIG. 5 is a right elevation view thereof; FIG. 6 is a left elevation view thereof; FIG. 7 is a top plan view thereof; and, FIG. 8 is a bottom plan view thereof.

**1 Claim, 7 Drawing Sheets**



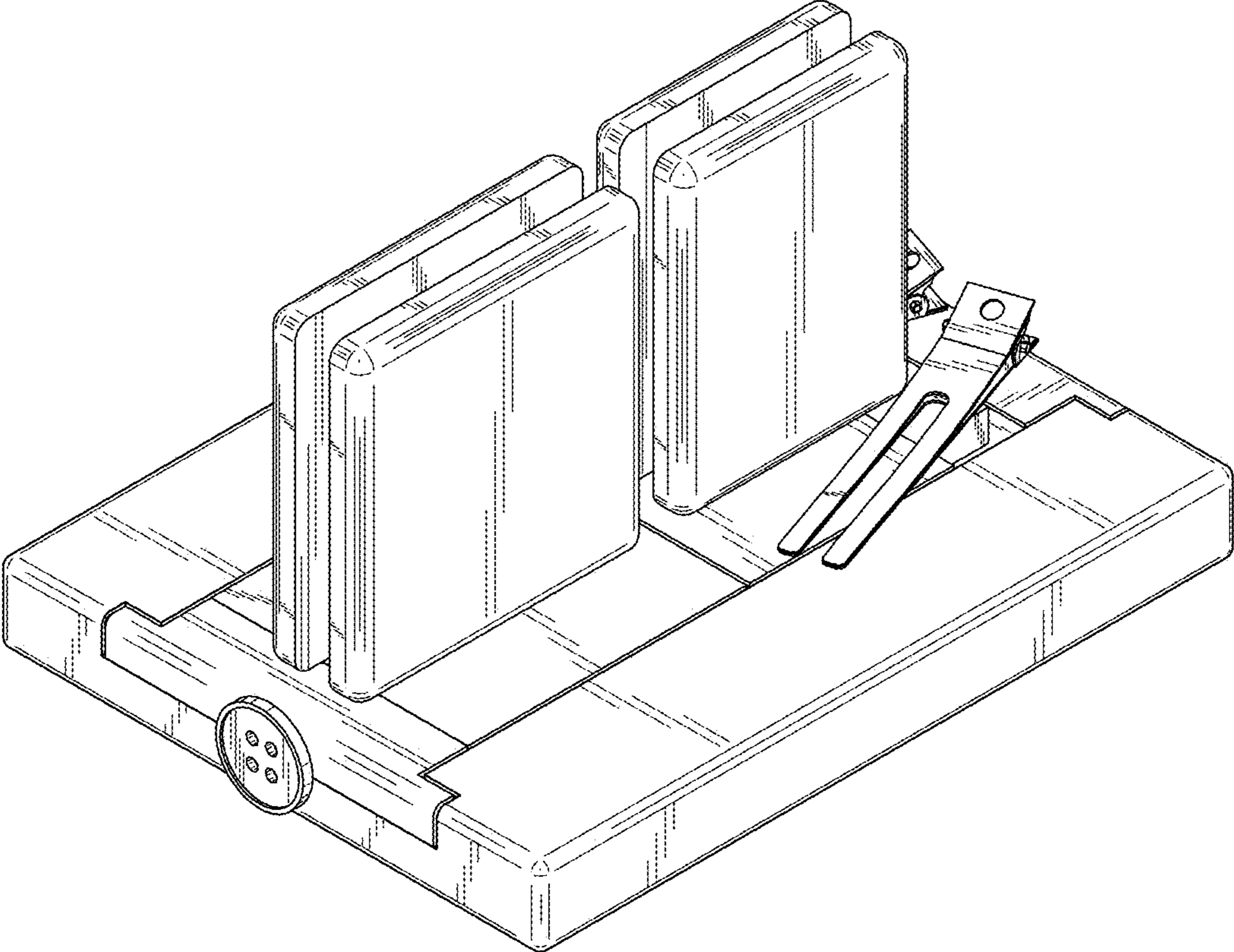


FIG. 1

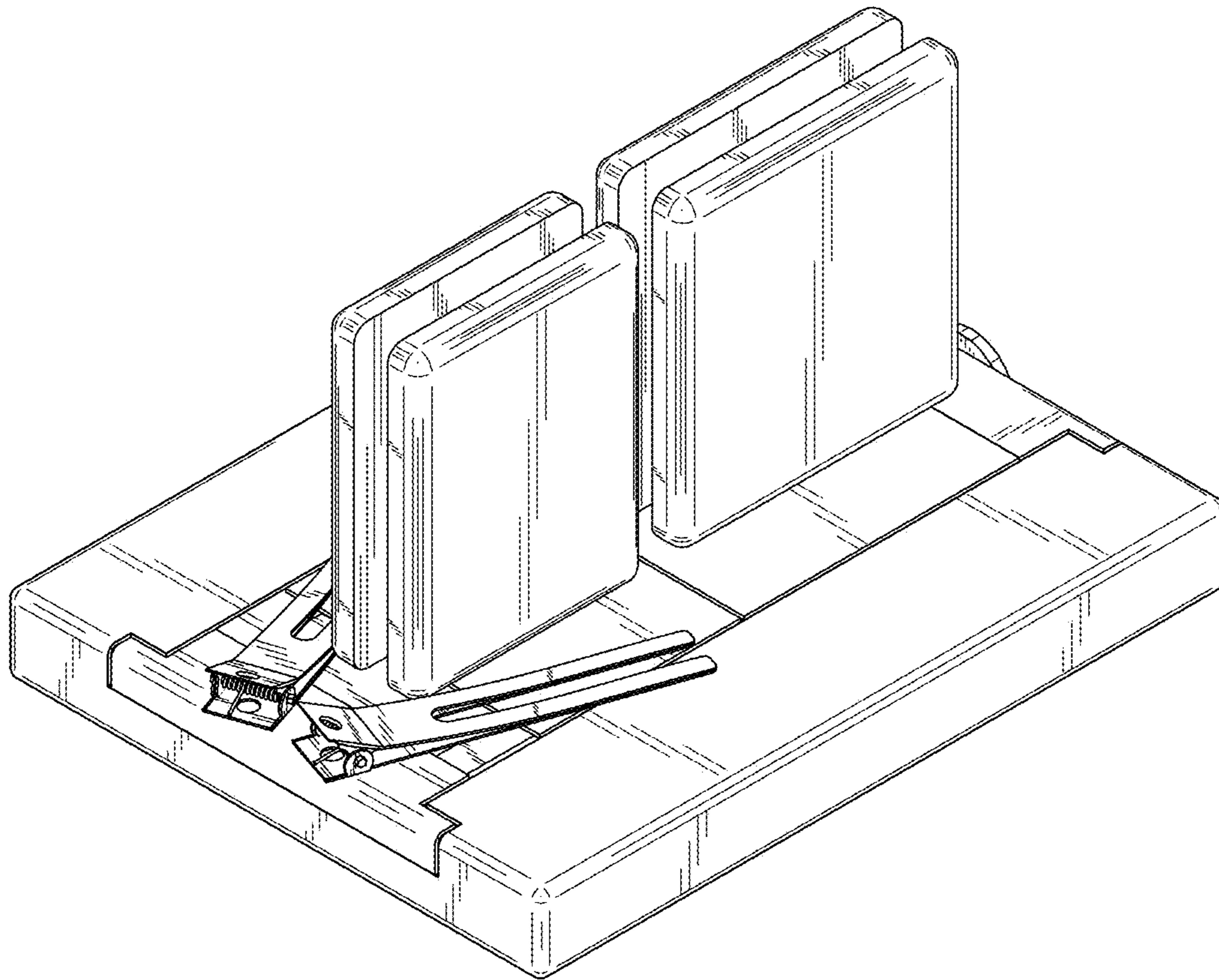


FIG. 2

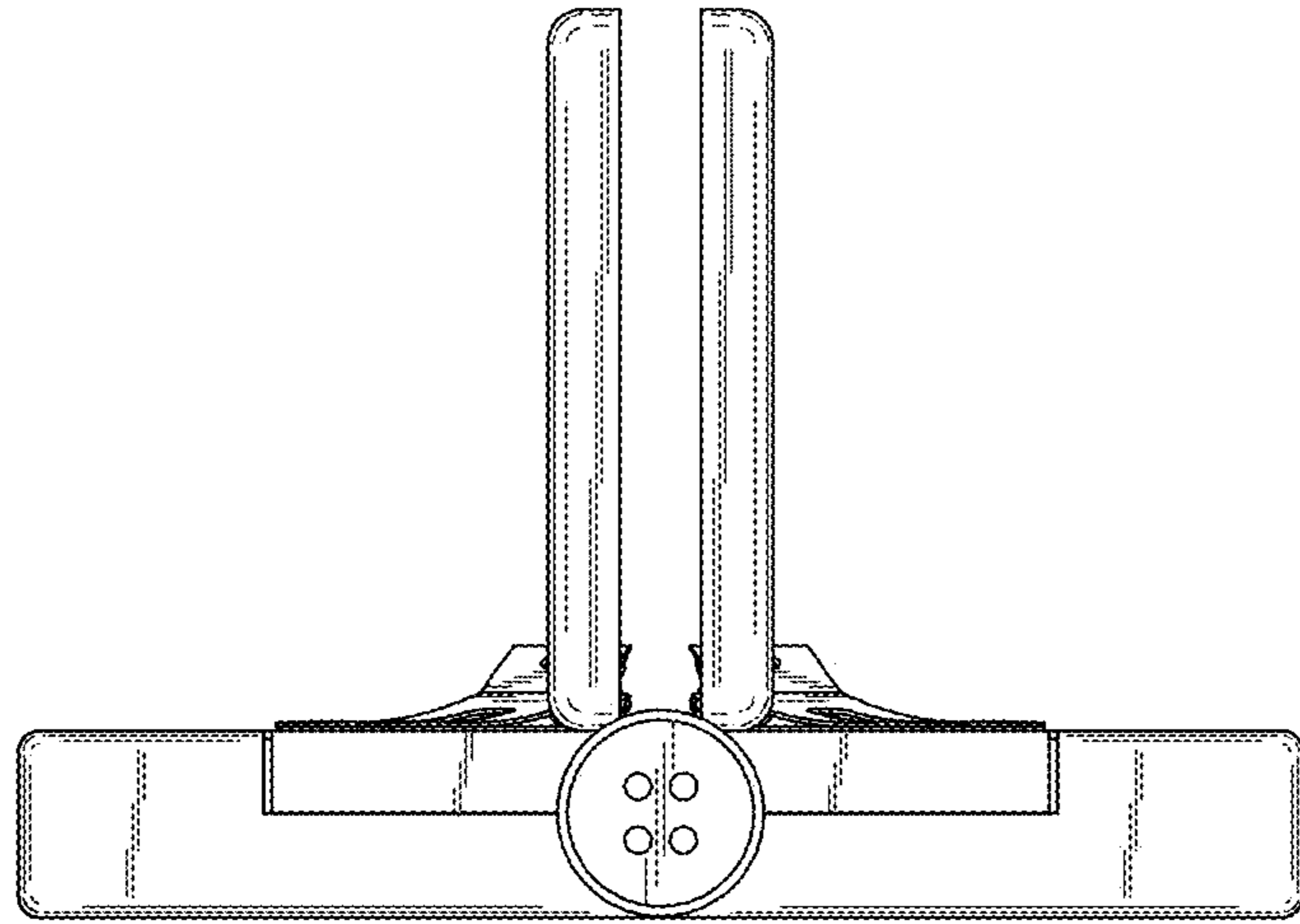


FIG. 3

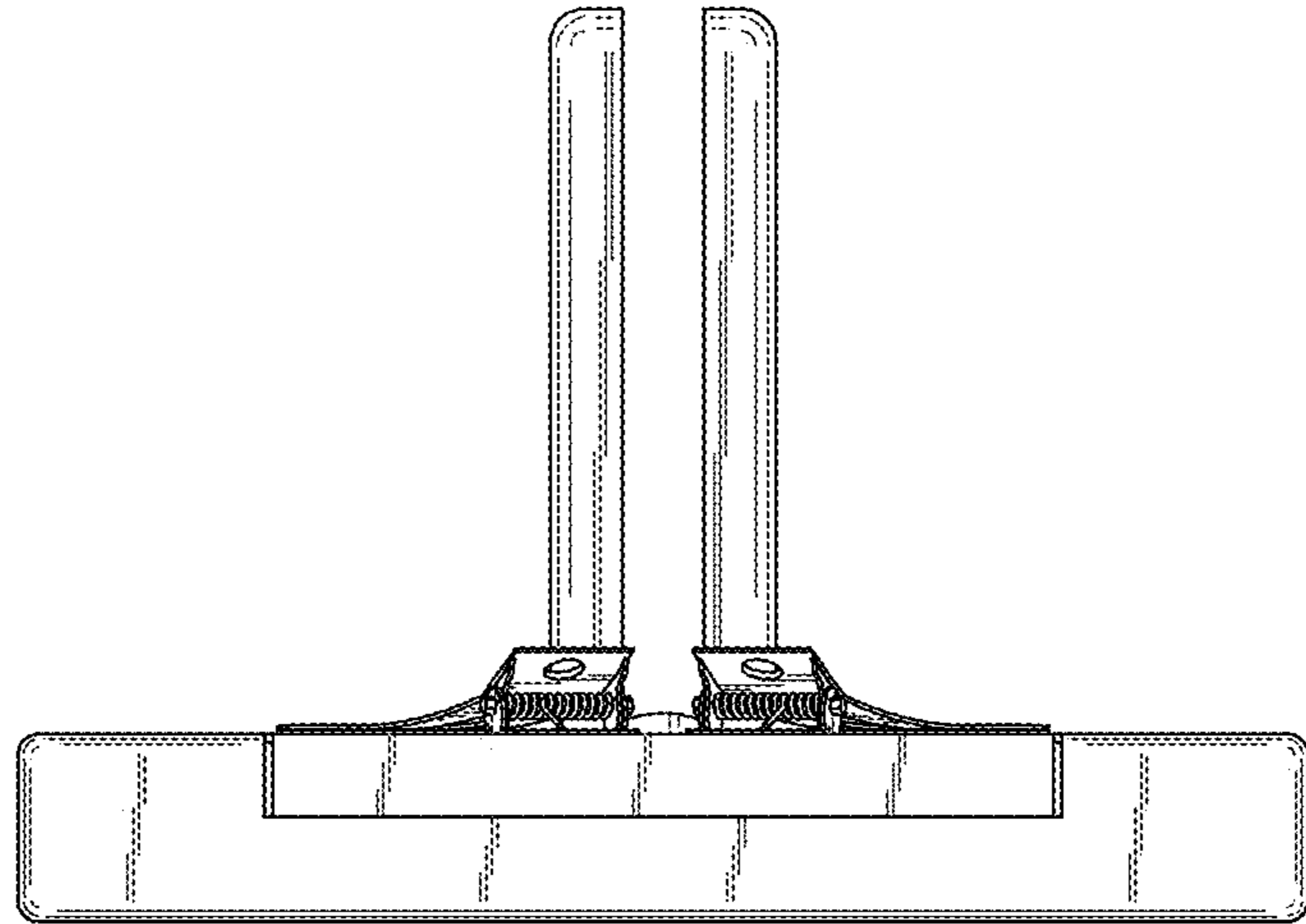


FIG. 4

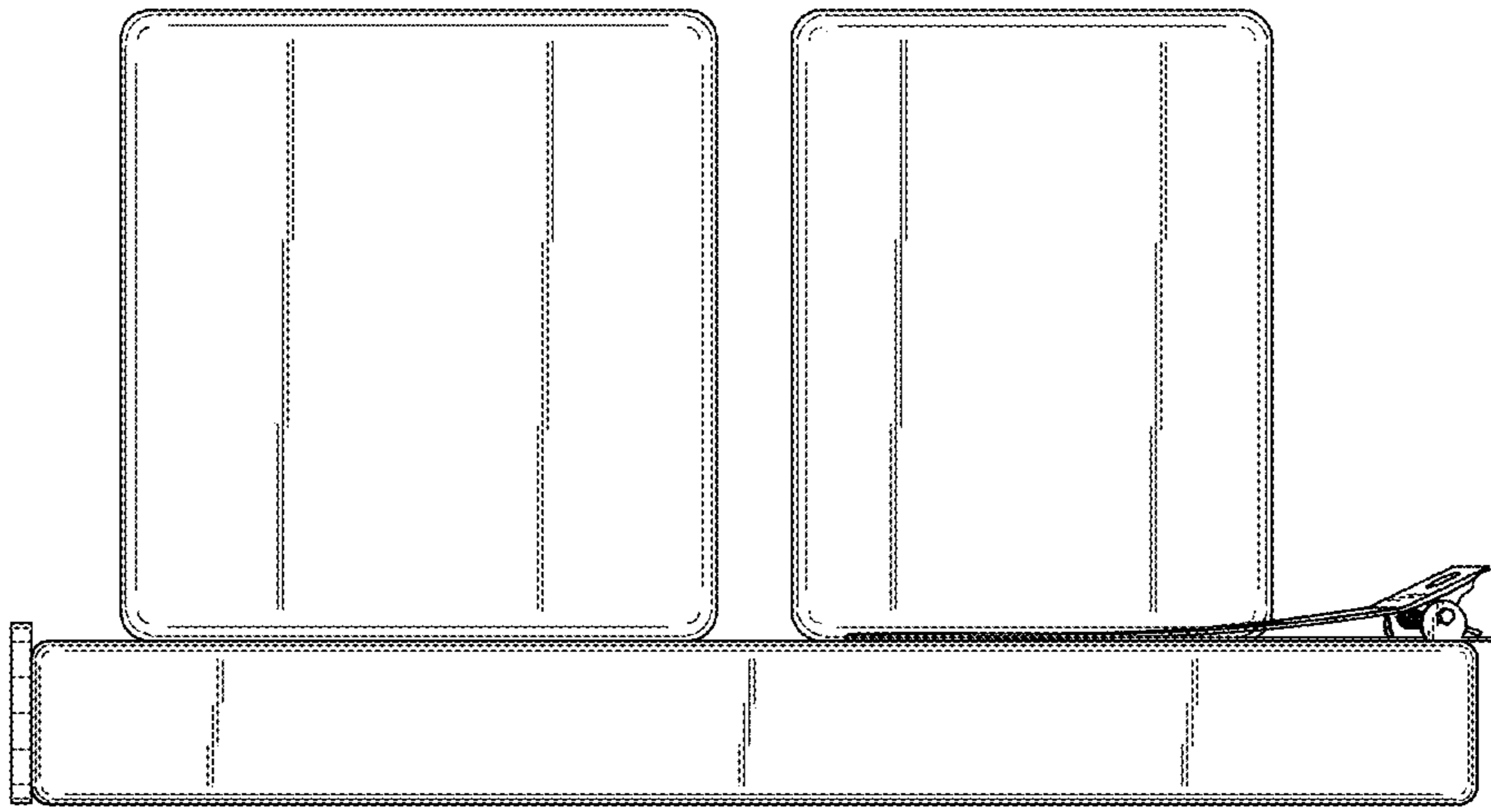


FIG. 5

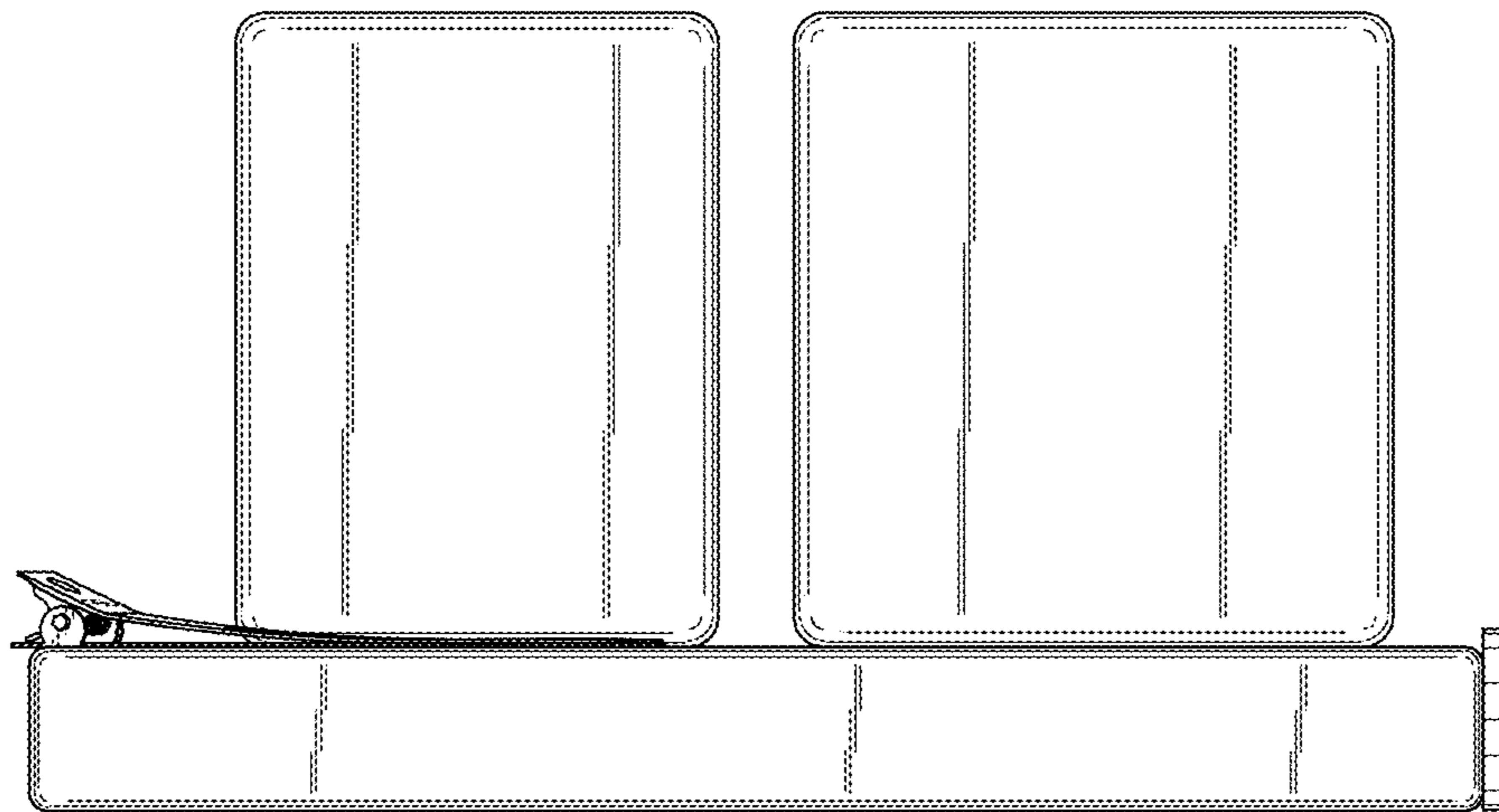


FIG. 6

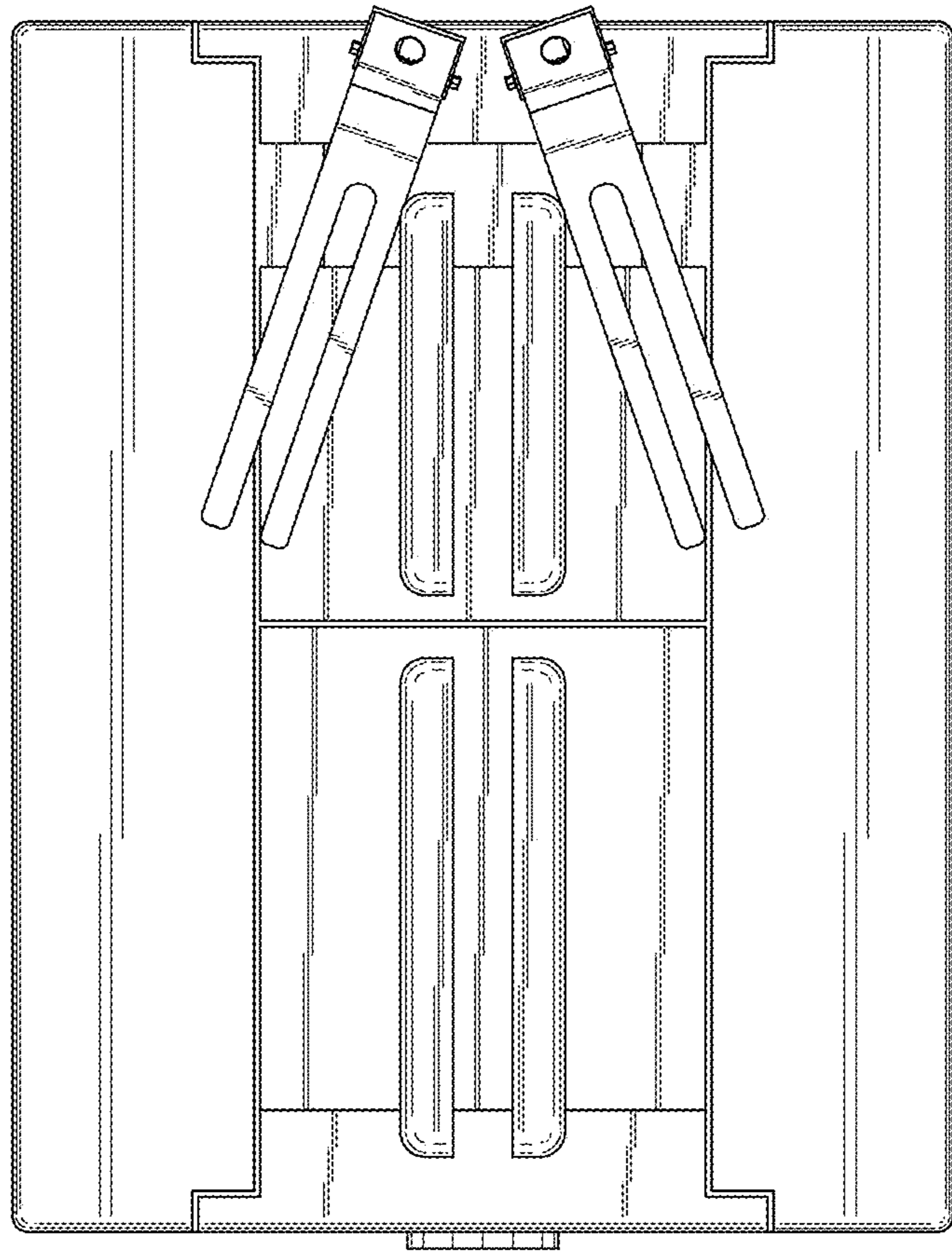


FIG. 7

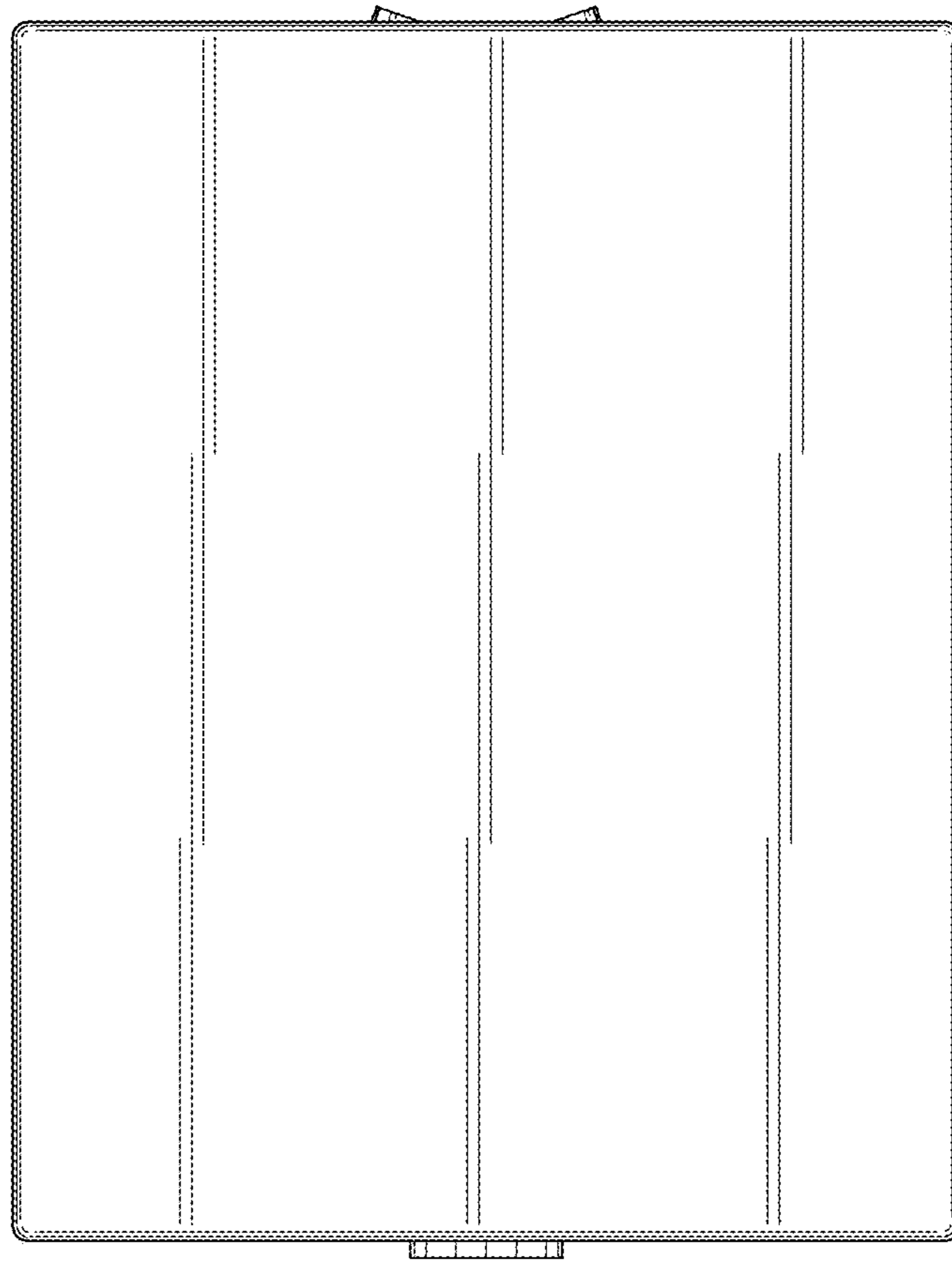


FIG. 8