



US00D902054S

(12) **United States Design Patent** (10) **Patent No.:** **US D902,054 S**  
**Bhalla et al.** (45) **Date of Patent:** **\*\* Nov. 17, 2020**

(54) **PACKAGING**

(71) Applicant: **JUUL Labs, Inc.**, San Francisco, CA (US)  
(72) Inventors: **Rajeev Bhalla**, Palo Alto, CA (US); **Jason Curtis**, Alameda, CA (US); **Peter C. De Alva**, Lake Zurich, IL (US); **PyiPhyo Lwin**, Newark, CA (US); **James Monsees**, San Francisco, CA (US); **Kevin J. Myers**, San Jose, CA (US); **Vincent C. Phua**, Piedmont, CA (US); **Jambunathan Vangal Ramamurthy**, San Jose, CA (US); **Alexandra N. Siano**, San Francisco, CA (US); **Srinivasan Sundararajan**, Cupertino, CA (US); **Bryan White**, Pleasanton, CA (US); **Thomas J. White**, Pebble Beach, CA (US)

(73) Assignee: **JUUL Labs, Inc.**, San Francisco, CA (US)

(\*\*) Term: **15 Years**

(21) Appl. No.: **29/677,362**

(22) Filed: **Jan. 18, 2019**

(51) **LOC (12) Cl.** ..... **09-01**

(52) **U.S. Cl.**  
USPC ..... **D9/732**

(58) **Field of Classification Search**  
USPC ..... D9/414, 415, 418, 424, 430, 715, 722, D9/730, 732; D3/201, 202, 269  
CPC .. B65D 75/327; B65D 75/36; B65D 2585/56; B65D 75/367; B65D 2575/3245; B65D 2581/055; B65D 83/0445; B65D 2575/3236; B65D 73/0092; B65D 1/36; B65D 81/113; B65D 75/30; B65D 51/28; B65D 85/00; B65D 2543/00296; B65D 5/4204; B65D 75/22; B65D 2575/366; B65D 75/38; B65D 5/5038; B65D 2575/3218; B65D 75/323; B65D 75/58; B65D 81/133; B65D 2543/00194; B65D

(Continued)

(56) **References Cited**

U.S. PATENT DOCUMENTS

2,502,561 A 4/1950 Ebert  
2,745,751 A 5/1956 Pichardo  
(Continued)

FOREIGN PATENT DOCUMENTS

DE 19619536 A1 10/1997  
EP 2952110 A1 12/2015  
(Continued)

OTHER PUBLICATIONS

Vapor Starter Kit Juul Vapecentric. [online] Published on Apr. 3, 2019. Retrieved Aug. 27, 2019 from URL: <https://www.vapecentric.com/vapor-starter-kit-juul-super-deal/>.

*Primary Examiner* — Lauren R Calve

(74) *Attorney, Agent, or Firm* — Mintz Levin Cohn Ferris Glovsky and Popeo, P.C.

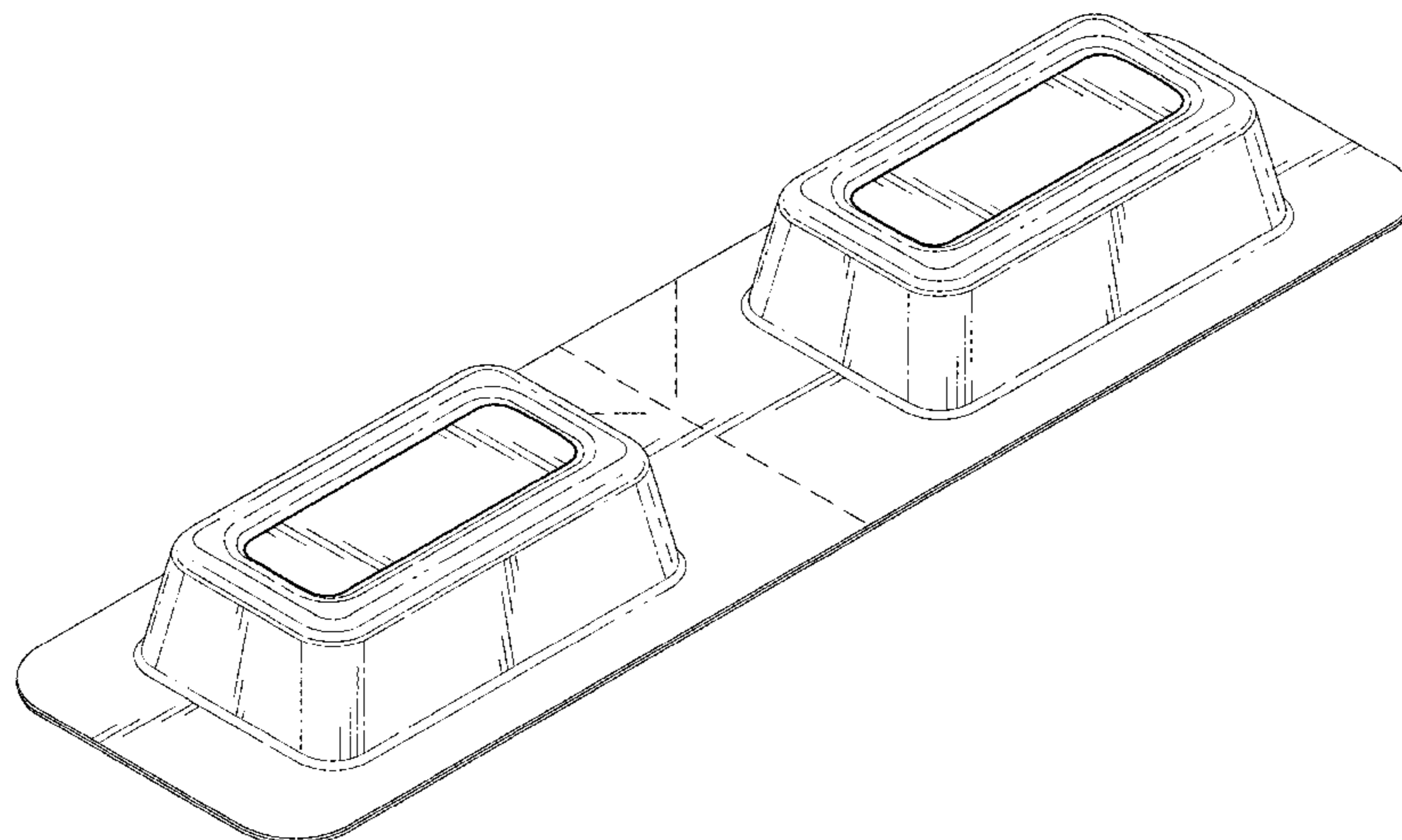
(57) **CLAIM**

The ornamental design for a packaging, as shown and described.

**DESCRIPTION**

FIG. 1 is a bottom, front, and right side perspective view of a packaging of our design;  
FIG. 2 is a front view thereof;  
FIG. 3 is a rear view thereof;  
FIG. 4 is a right side view thereof;  
FIG. 5 is a left side view thereof;  
FIG. 6 is a bottom view thereof; and,  
FIG. 7 is a top view thereof.

(Continued)



The long dash-dash broken lines illustrate the appearance of perforations and form a part of the claimed design.

**1 Claim, 5 Drawing Sheets**

**(58) Field of Classification Search**

CPC .. 2575/565; B65D 73/00; B65D 81/02; B65D 85/60; B65D 75/34; B65D 81/24; B65D 83/00; B65D 71/00; B65D 5/5088; B65D 73/0007; B65D 73/0078; B65D 75/5811; B65D 75/5833; B65D 2519/00273; B65D 1/0223

See application file for complete search history.

**(56) References Cited**

U.S. PATENT DOCUMENTS

3,053,383 A \* 9/1962 Kahn ..... B65D 73/0092  
206/540  
3,272,321 A 9/1966 Tamarin  
4,207,976 A 6/1980 Herman  
D256,777 S 9/1980 Sorsjo  
4,398,634 A \* 8/1983 McClosky ..... B65D 75/323  
206/484  
D294,459 S 3/1988 Wendel  
4,812,067 A \* 3/1989 Brown ..... A61M 35/006  
401/132  
D314,914 S 2/1991 Callinan  
D342,025 S 12/1993 Abraben et al.  
5,392,909 A \* 2/1995 Hackett ..... B65D 75/328  
206/321  
D364,343 S 11/1995 Mello  
D398,150 S 9/1998 Vonarburg  
5,938,018 A 8/1999 Keaveney et al.  
5,975,415 A 11/1999 Zehnal  
6,155,423 A 12/2000 Katzner et al.  
6,386,371 B1 5/2002 Parsons  
6,431,363 B1 8/2002 Hacker  
D465,731 S 11/2002 Brant et al.  
6,622,867 B2 9/2003 Menceles  
6,672,762 B1 1/2004 Faircloth et al.  
6,726,006 B1 4/2004 Funderburk et al.  
D494,857 S 8/2004 Chen et al.  
6,805,545 B2 10/2004 Slaboden  
D513,181 S 12/2005 Bloom et al.  
D525,879 S \* 8/2006 Ueda ..... D9/732  
7,234,593 B2 6/2007 Fath et al.  
D548,110 S 8/2007 Pugh  
D556,601 S 12/2007 Ferguson et al.  
7,374,048 B2 5/2008 Mazurek  
D584,149 S 1/2009 Lohrman et al.

D590,246 S \* 4/2009 Kirk ..... D9/732  
D606,864 S 12/2009 Robinson  
D619,003 S 7/2010 Benoit-Gonin et al.  
D632,958 S 2/2011 Fuchs  
D642,483 S 8/2011 Stuibler et al.  
D649,236 S 11/2011 Bilko et al.  
D655,628 S 3/2012 Mehren et al.  
D665,250 S \* 8/2012 Kirk ..... D9/416  
8,393,465 B2 3/2013 Clark et al.  
8,464,867 B2 6/2013 Holloway et al.  
D686,090 S \* 7/2013 Logue ..... D9/732  
D693,221 S 11/2013 Ramsey et al.  
D693,684 S 11/2013 Ramsey et al.  
D693,685 S 11/2013 Ramsey et al.  
D706,129 S 6/2014 Boraczek et al.  
D718,621 S 12/2014 Mitchell et al.  
D721,577 S 1/2015 Scatterday  
D734,259 S 7/2015 Cepress et al.  
D735,572 S 8/2015 Fath et al.  
D745,388 S 12/2015 Taylor  
D752,282 S 3/2016 Doster  
D752,283 S 3/2016 Doster  
D752,284 S 3/2016 Doster  
D752,285 S 3/2016 Doster  
D752,286 S 3/2016 Doster  
D760,599 S 7/2016 Jayakaran et al.  
D761,124 S 7/2016 Taylor  
D763,706 S 8/2016 Shum et al.  
9,663,266 B2 5/2017 Schwester  
D792,222 S 7/2017 Sill et al.  
2001/0052480 A1 12/2001 Kawaguchi et al.  
2002/0175164 A1 11/2002 Dees et al.  
2005/0051459 A1 \* 3/2005 Casanova ..... B65D 75/366  
206/703  
2005/0061759 A1 3/2005 Doucette  
2006/0255105 A1 11/2006 Sweet  
2009/0134051 A1 5/2009 Rapp et al.  
2010/0000672 A1 1/2010 Fogle  
2010/0307116 A1 12/2010 Fisher  
2012/0248005 A1 10/2012 Bergey  
2013/0146489 A1 6/2013 Scatterday  
2014/0053952 A1 \* 2/2014 Genosar ..... A61J 1/2093  
141/105  
2017/0259954 A1 9/2017 Schwester  
2019/0337700 A1 \* 11/2019 Berman ..... B65D 75/36

FOREIGN PATENT DOCUMENTS

FR 2188569 A5 1/1974  
JP 2000203639 A 7/2000  
TW D152854 4/2013  
WO WO-1998/043893 A1 10/1998  
WO WO-2017/051350 A3 5/2017

\* cited by examiner

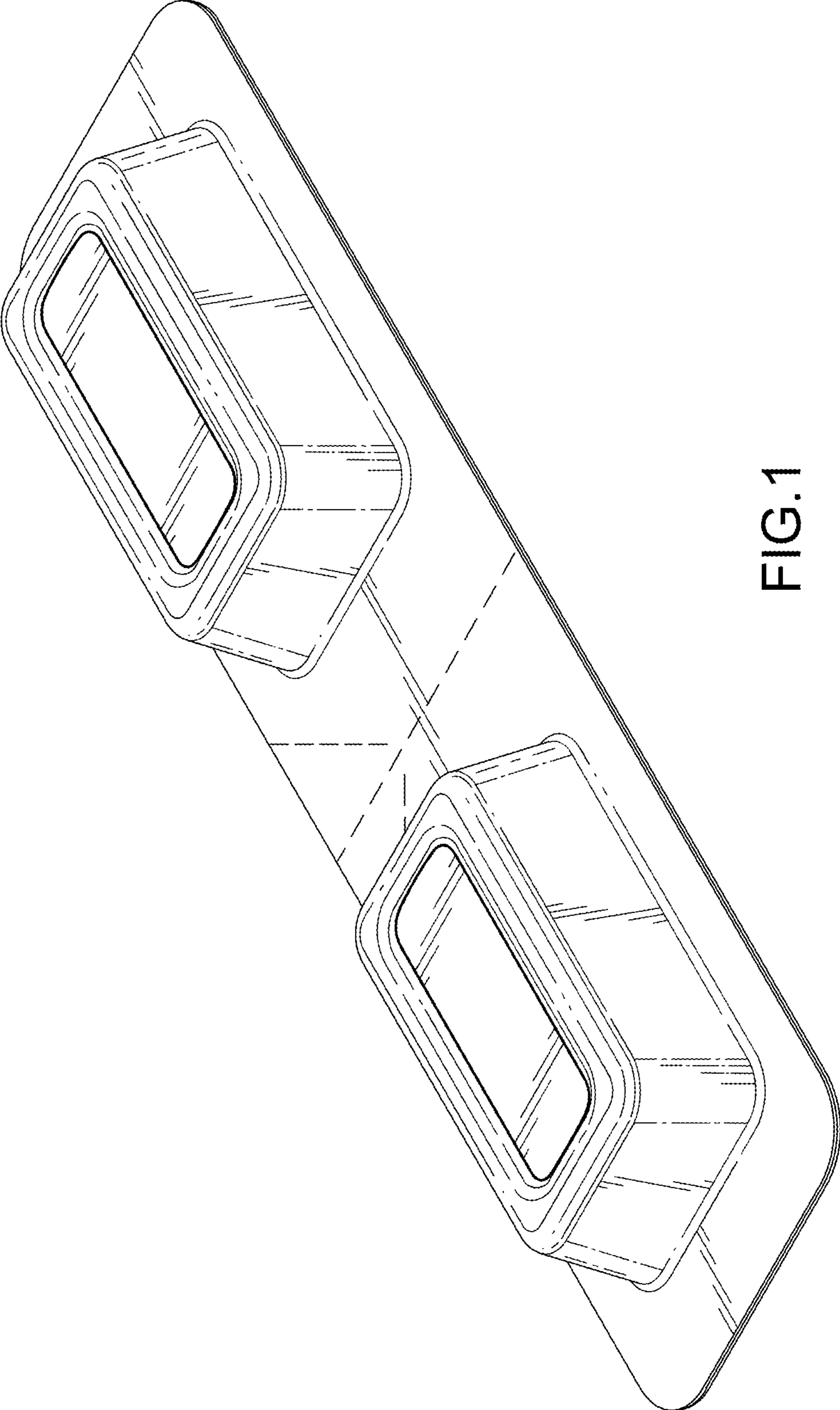


FIG. 1

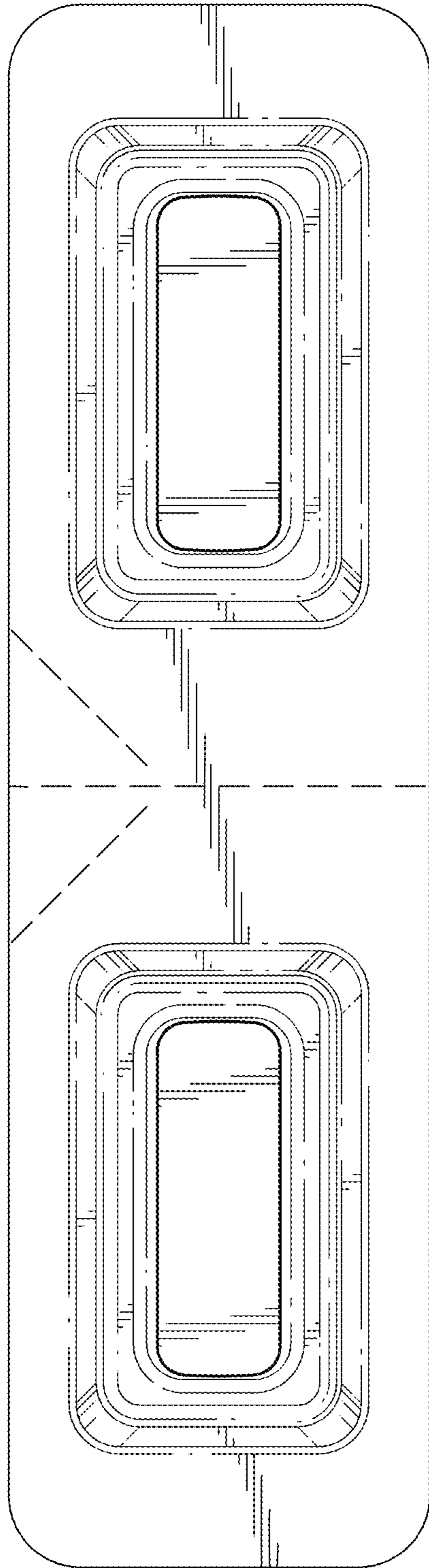


FIG.2

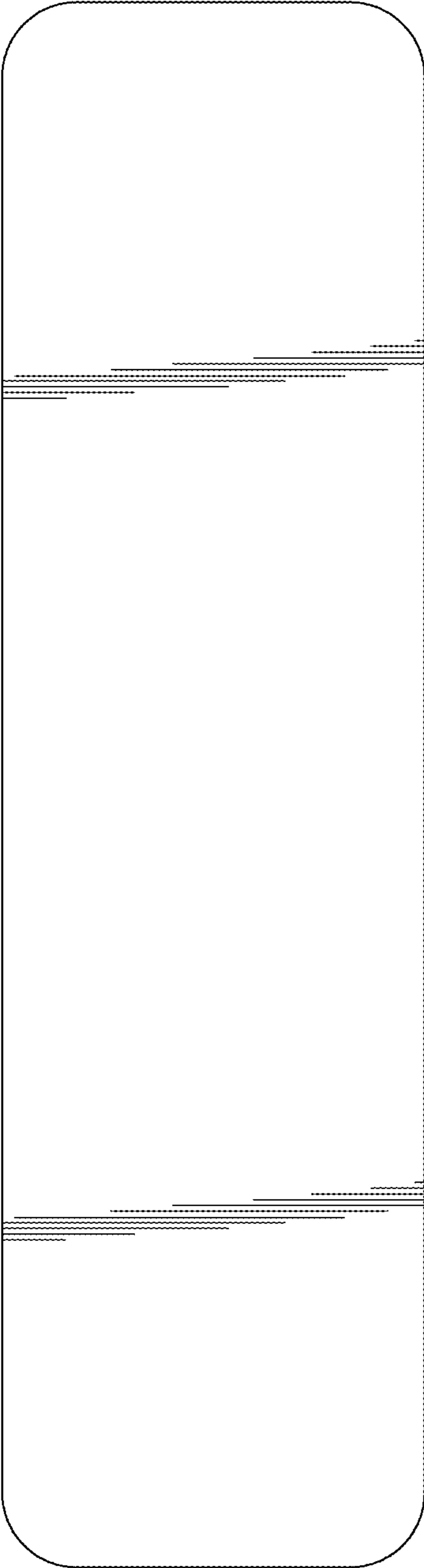


FIG.3

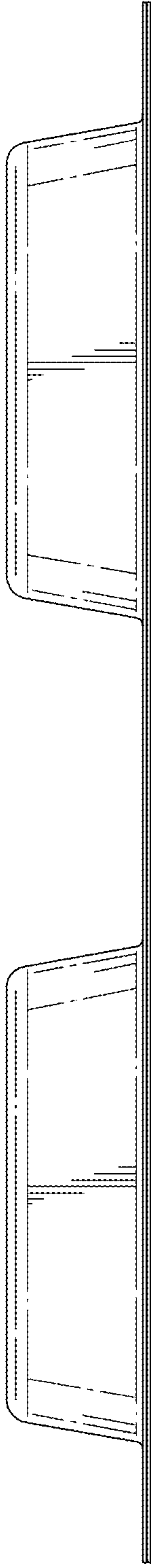


FIG. 4



FIG. 5

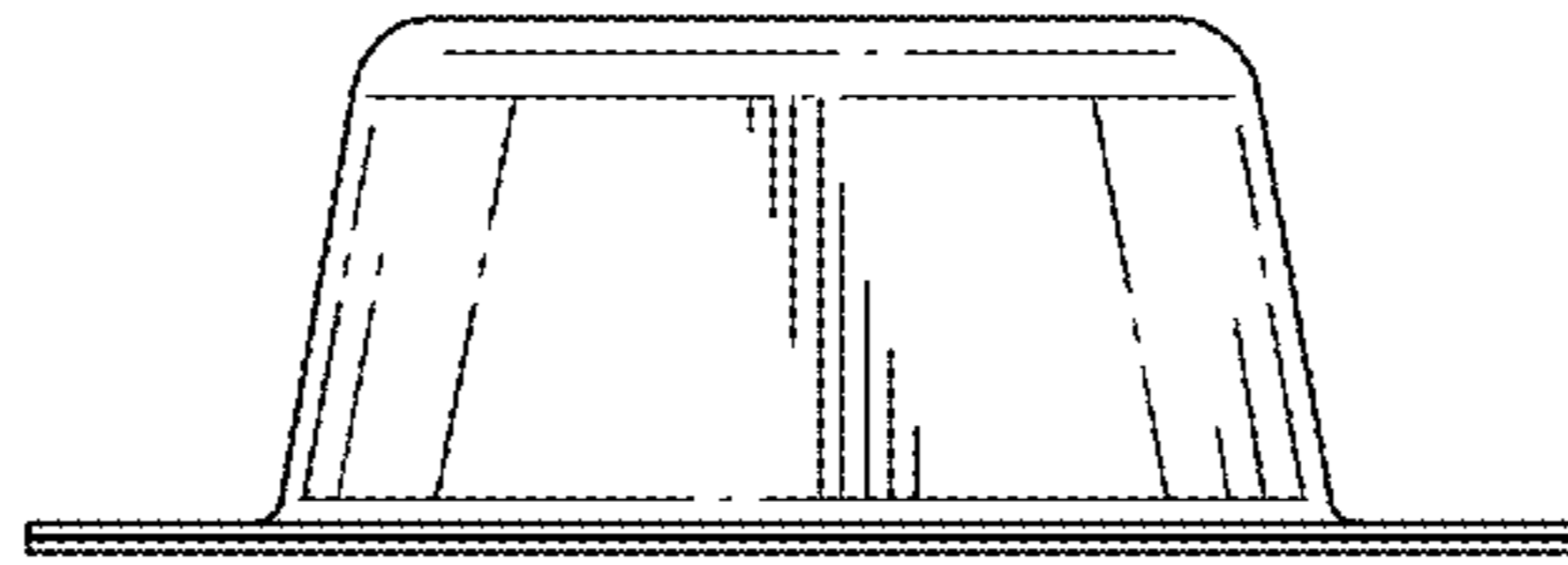


FIG. 6

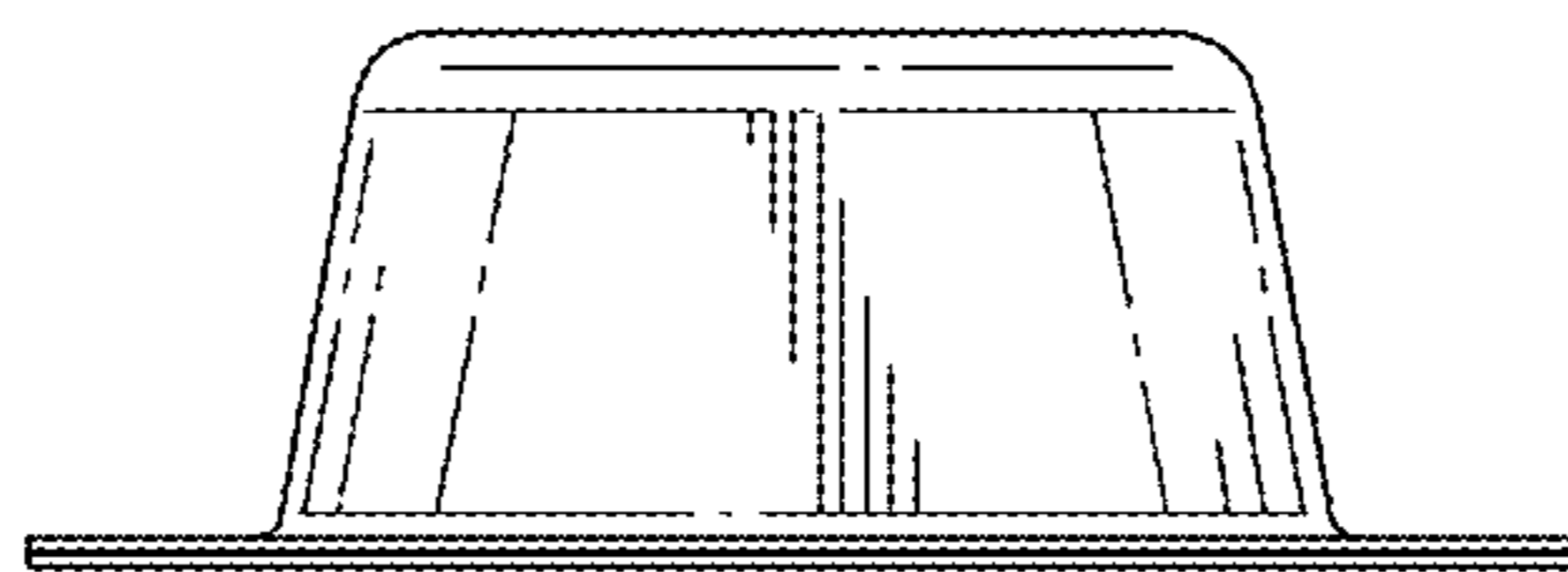


FIG. 7