



US00D902053S

(12) **United States Design Patent**  
**Morgan et al.**

(10) **Patent No.:** **US D902,053 S**

(45) **Date of Patent:** **\*\* Nov. 17, 2020**

(54) **CONTAINER**

(71) Applicant: **StacheKit LLC**, Arlington, VA (US)

(72) Inventors: **Michael Morgan**, Arlington, VA (US);  
**Peter Nguyen**, Garden Grove, CA (US)

(73) Assignee: **Michael Morgan**, Arlington, VA (US)

(\*\*) Term: **15 Years**

(21) Appl. No.: **29/621,962**

(22) Filed: **Oct. 12, 2017**

(51) **LOC (12) Cl.** ..... **09-03**

(52) **U.S. Cl.**

USPC ..... **D9/715**; D9/504; D9/721; D6/526

(58) **Field of Classification Search**

USPC ..... D9/414, 424, 428, 434, 453-456, 500,  
D9/503-505, 715, 721; D3/205;

D6/526-527; D28/44-45, 73, 88

CPC .... A45D 27/22; A45D 27/29; A45D 2200/25;

A45C 11/007; A45C 11/008; A45C 11/04;

A45C 11/34; A45C 11/36; B65D 1/22;

B65D 25/00; B65D 77/00; B65D 77/003

See application file for complete search history.

(56) **References Cited**

**U.S. PATENT DOCUMENTS**

D378,016 S \* 2/1997 Armbruster ..... D3/205  
D477,216 S \* 7/2003 Gronwall ..... D9/727

D630,524 S \* 1/2011 van Dulleman ..... D9/725  
D655,620 S \* 3/2012 van Dulleman ..... D9/723  
D699,473 S \* 2/2014 Szczepanowski ..... D6/526  
D703,060 S \* 4/2014 Okulla ..... D28/76

\* cited by examiner

*Primary Examiner* — Dana Meyrow

(74) *Attorney, Agent, or Firm* — Foley Hoag LLP;  
Stephen J. Kenny

(57) **CLAIM**

The ornamental design for a container, as shown and described.

**DESCRIPTION**

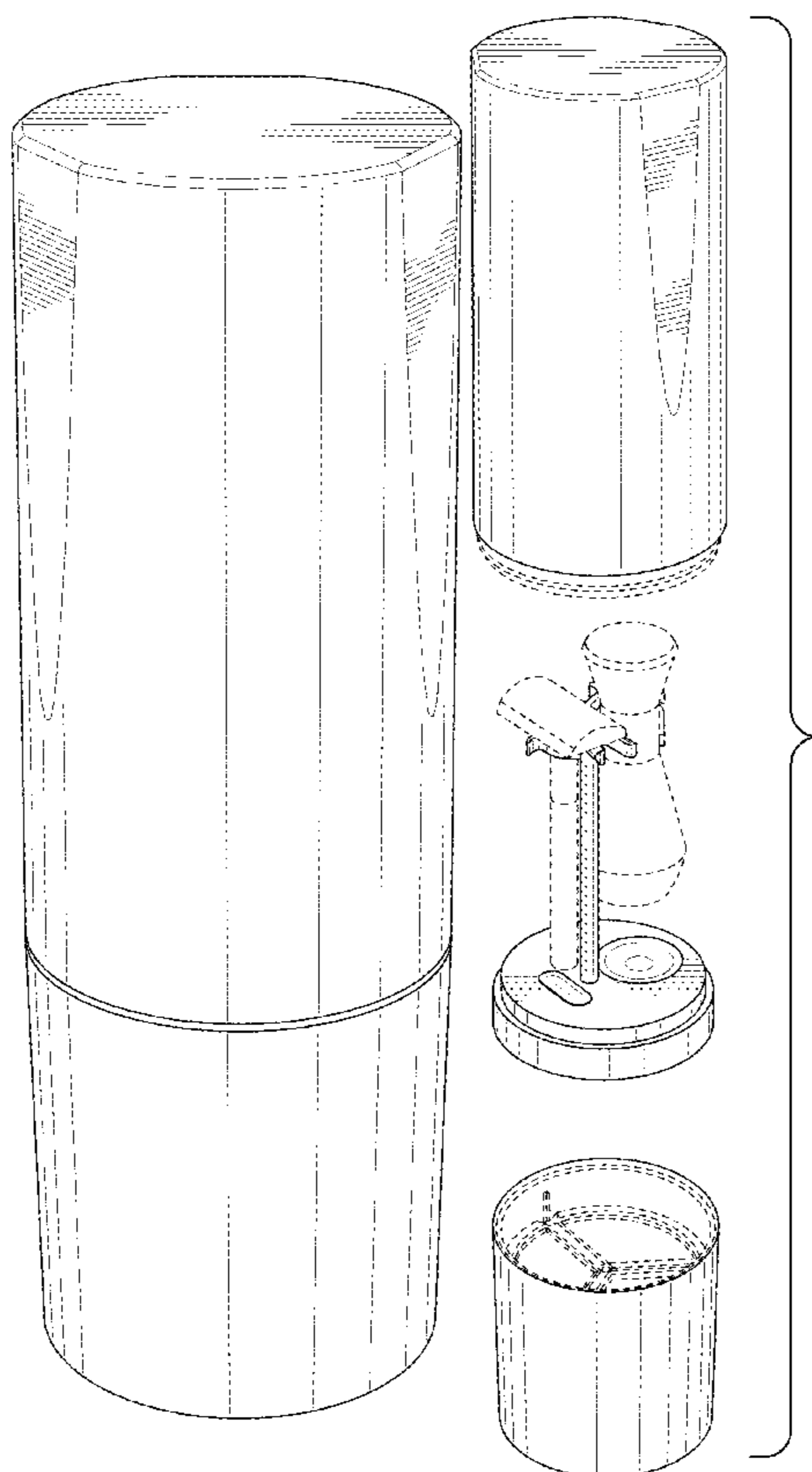
FIG. 1 is a perspective view of the Container showing my new design, shown in the closed configuration.

FIG. 2 is a perspective view thereof, shown in the open configuration.

FIG. 3 is an exploded-perspective view thereof, shown in the open configuration and depicting an insert; and,

FIG. 4 is a perspective view of the insert shown in FIG. 3. The features depicted in broken lines represent environmental structure and do not form part of the claim.

**1 Claim, 4 Drawing Sheets**



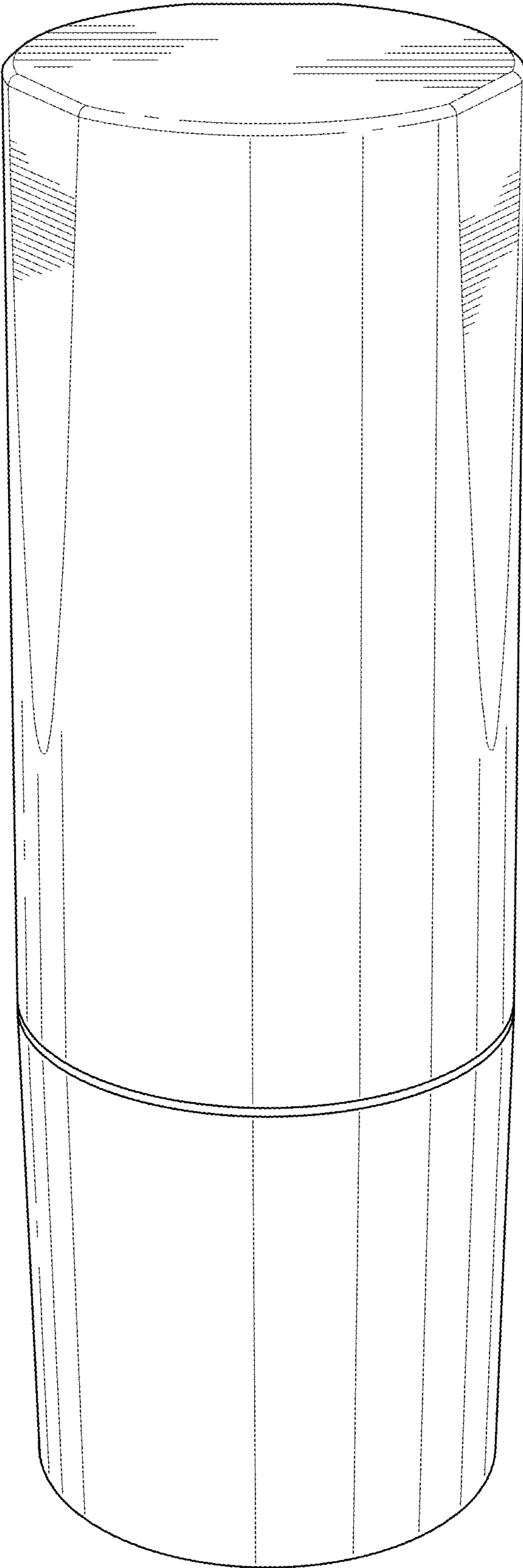


FIG. 1

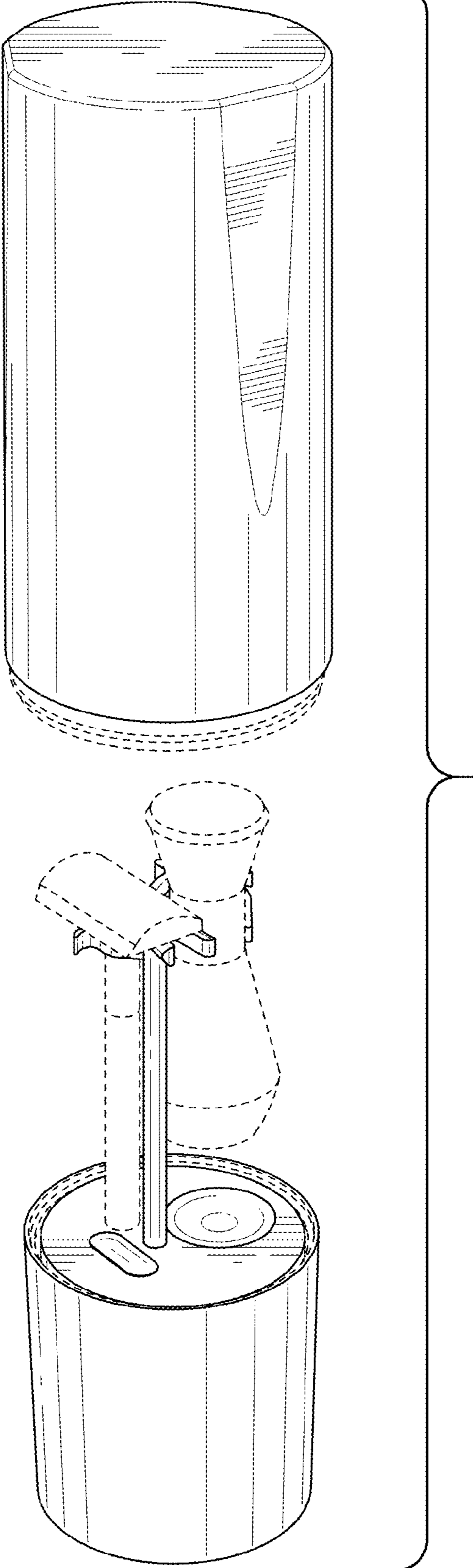


FIG. 2

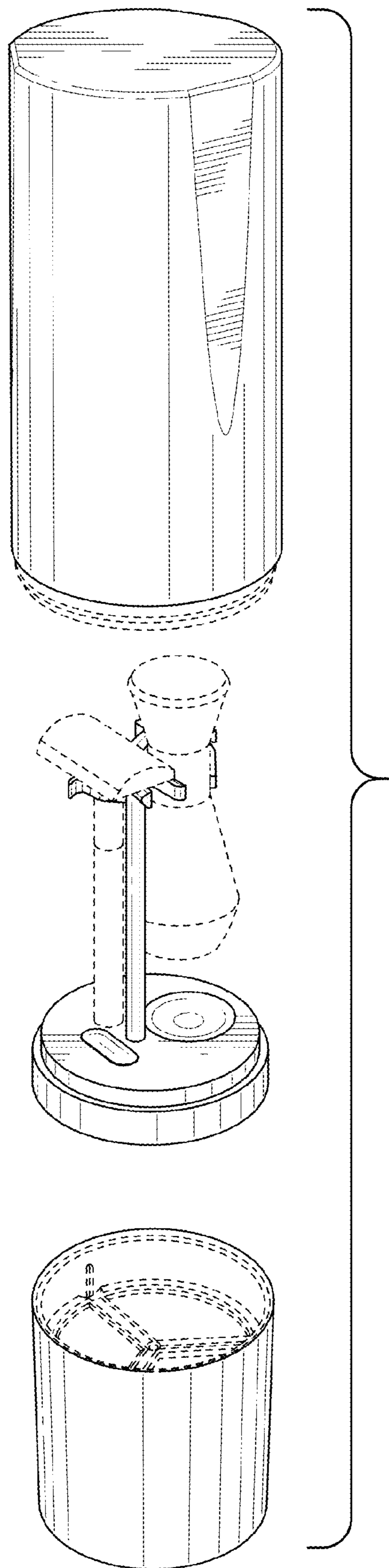


FIG. 3

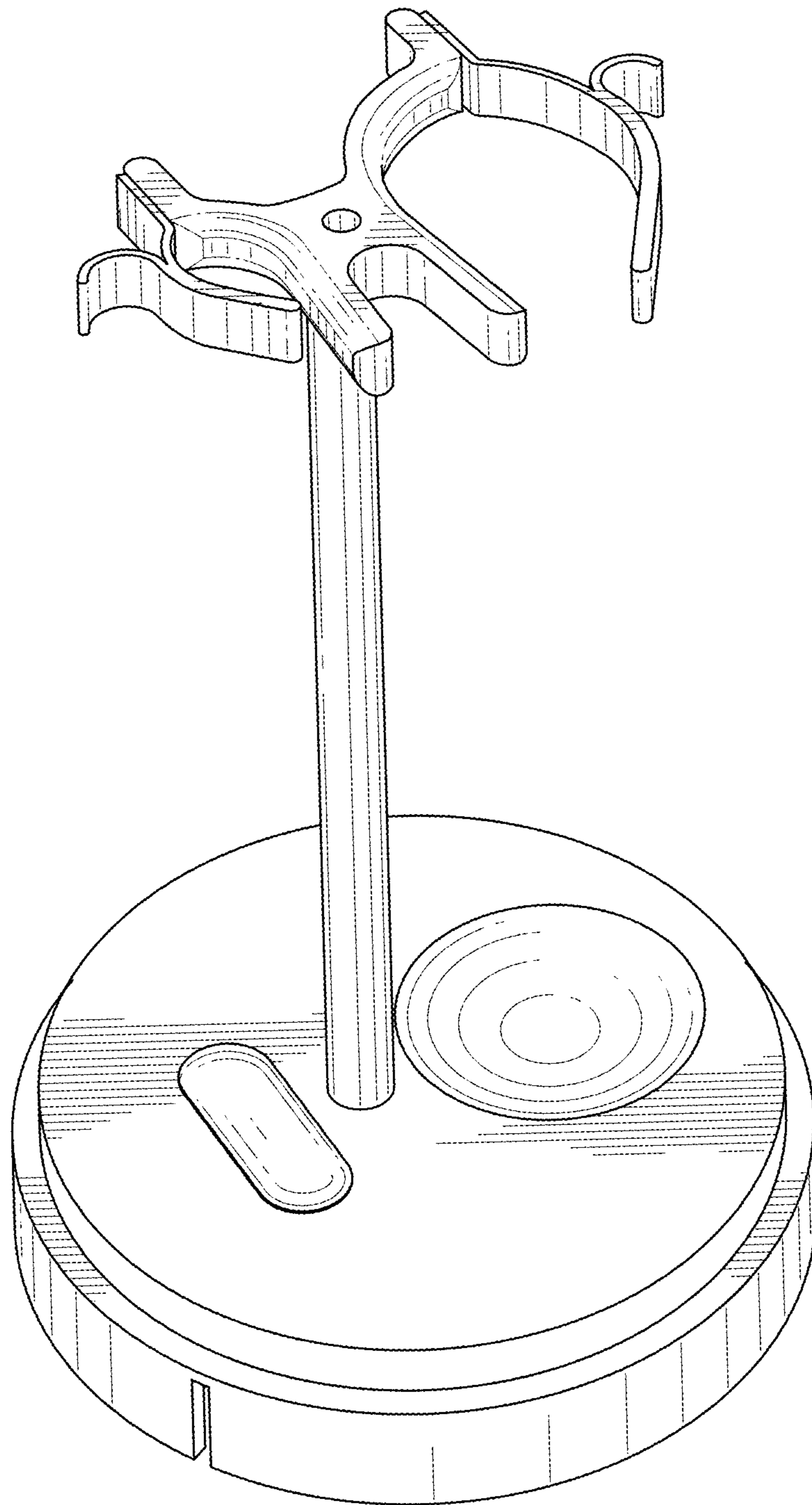


FIG. 4