

US00D902052S

(12) **United States Design Patent**  
**Case et al.**

(10) **Patent No.:** **US D902,052 S**

(45) **Date of Patent:** **\*\* Nov. 17, 2020**

(54) **BAG**

31/04; B65D 31/18; B65D 65/00; B65D  
65/02; B65D 65/38; B65D 81/00; B65D  
81/36

(71) Applicant: **Nite Ize, Inc.**, Boulder, CO (US)

See application file for complete search history.

(72) Inventors: **Rick Case**, Boulder, CO (US); **Michael C. Boyd**, Boulder, CO (US); **Bowden Ormsbee**, Longmont, CO (US); **Dale Karacostas**, Boulder, CO (US); **Clint Todd**, Boulder, CO (US); **Carley Mulder**, Boulder, CO (US)

(56) **References Cited**

U.S. PATENT DOCUMENTS

D707,134 S *	6/2014	Simpson .....	D9/709
D828,765 S *	9/2018	Totani .....	D9/707
D832,114 S *	10/2018	Totani .....	D9/703
D865,363 S *	11/2019	Liu .....	D3/303
D874,942 S *	2/2020	Tsuruta .....	D9/703

(73) Assignee: **NITE IZE, INC.**, Boulder, CO (US)

(\*\*) Term: **15 Years**

\* cited by examiner

(21) Appl. No.: **29/696,459**

*Primary Examiner* — Abraham Bahta

(22) Filed: **Jun. 27, 2019**

(74) *Attorney, Agent, or Firm* — Haynes and Boone, LLP

(51) **LOC (12) Cl.** ..... **09-05**

(52) **U.S. Cl.**

USPC ..... **D9/709**

(58) **Field of Classification Search**

(57) **CLAIM**

USPC ..... D9/702-714, 719, 738-740, 517-518,  
D9/522, 416, 435, 444, 460, 455, 414,  
D9/499, 431-432; D7/560-562;  
206/434, 426-427, 429-430, 485, 485.1,  
206/499, 508, 431, 418-422, 588-594,  
206/286, 299; 229/117.3, 185, 121, 122,  
229/200, 207, 236, 87.01, 923, 922,  
229/87.19, 87.18; 220/23.83;  
383/118-120, 110, 108, 127, 83, 6, 26,  
383/33, 78, 88; D3/303-307, 221, 226,  
D3/232, 276, 315; 150/100, 107, 112,  
150/118

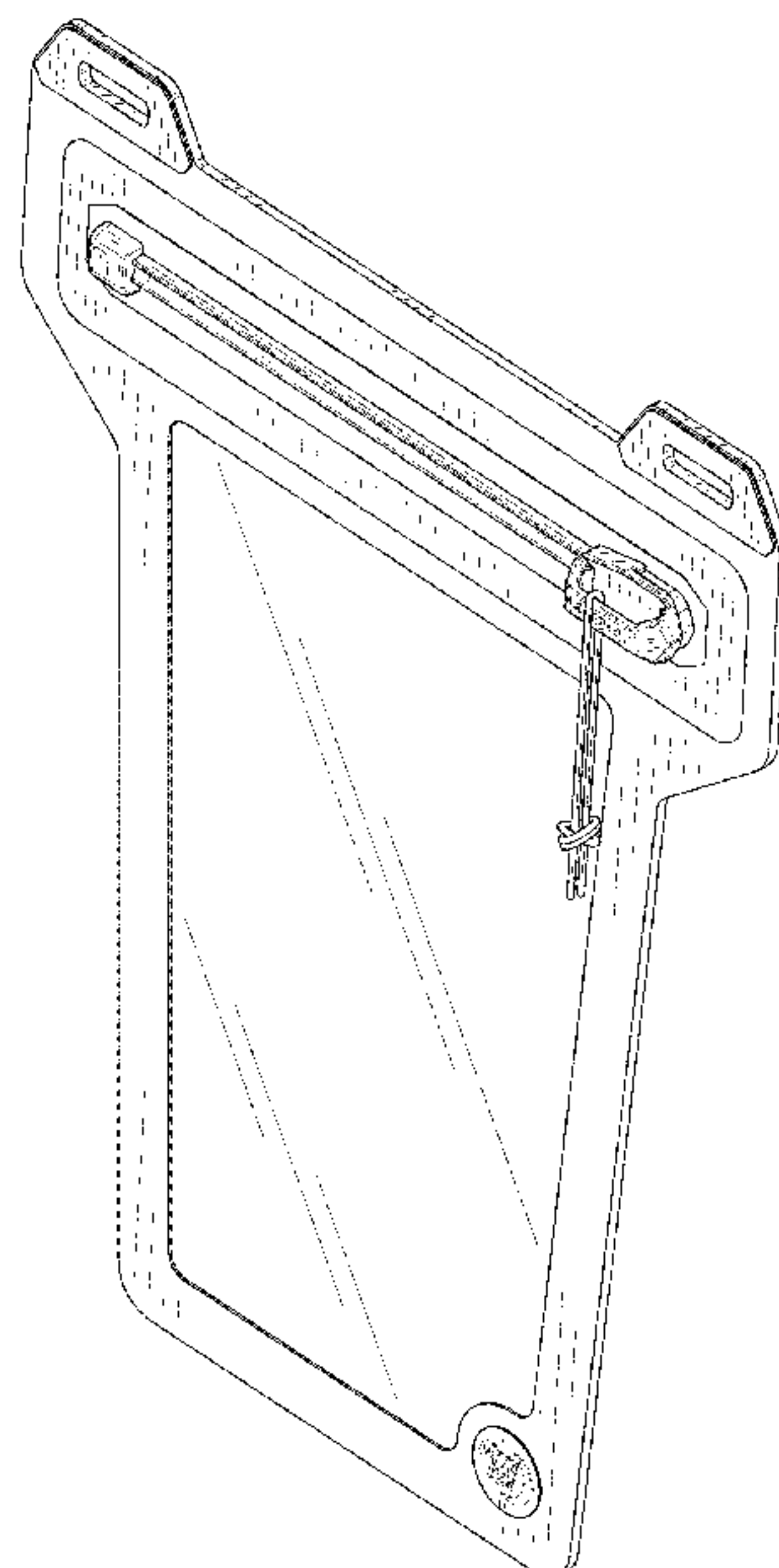
The ornamental design for a bag, as shown and described.

CPC .... A45C 3/00; A45C 3/04; A45C 3/06; A45C  
3/001; A45C 3/10; B65D 33/004; B65D  
33/00; B65D 33/06; B65D 33/12; B65D  
1/00; B65D 1/38; B65D 1/40; B65D  
29/00; B65D 29/04; B65D 31/00; B65D  
31/005; B65D 31/10; B65D 31/02; B65D

**DESCRIPTION**

FIG. 1 is a front perspective view of the bag showing our new design;  
FIG. 2 is a front view thereof;  
FIG. 3 is a rear view thereof;  
FIG. 4 is a right side view thereof;  
FIG. 5 is a left side view thereof;  
FIG. 6 is a top view thereof;  
FIG. 7 is a bottom view thereof; and,  
FIG. 8 is a rear perspective view thereof.

**1 Claim, 6 Drawing Sheets**



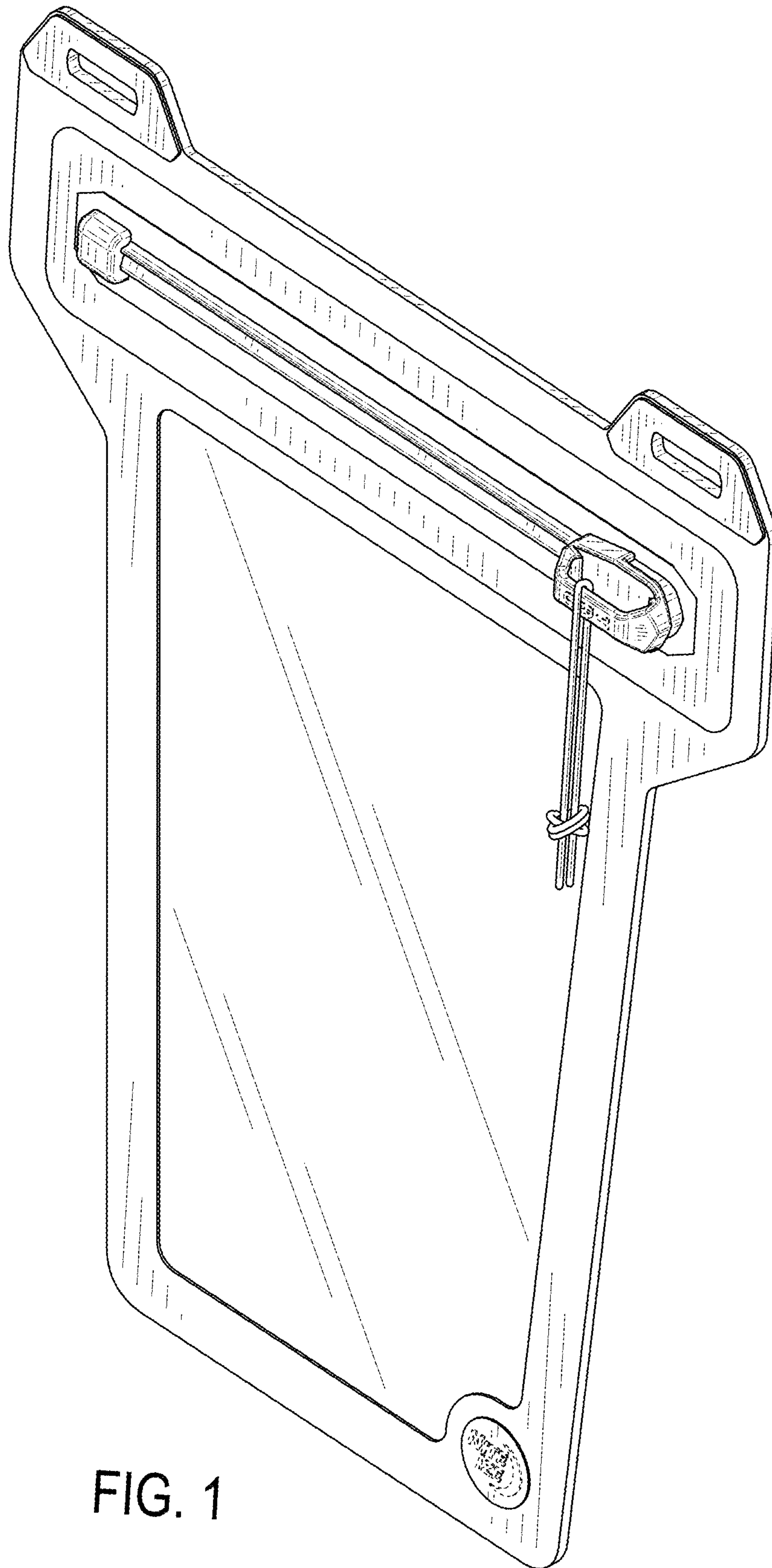


FIG. 1

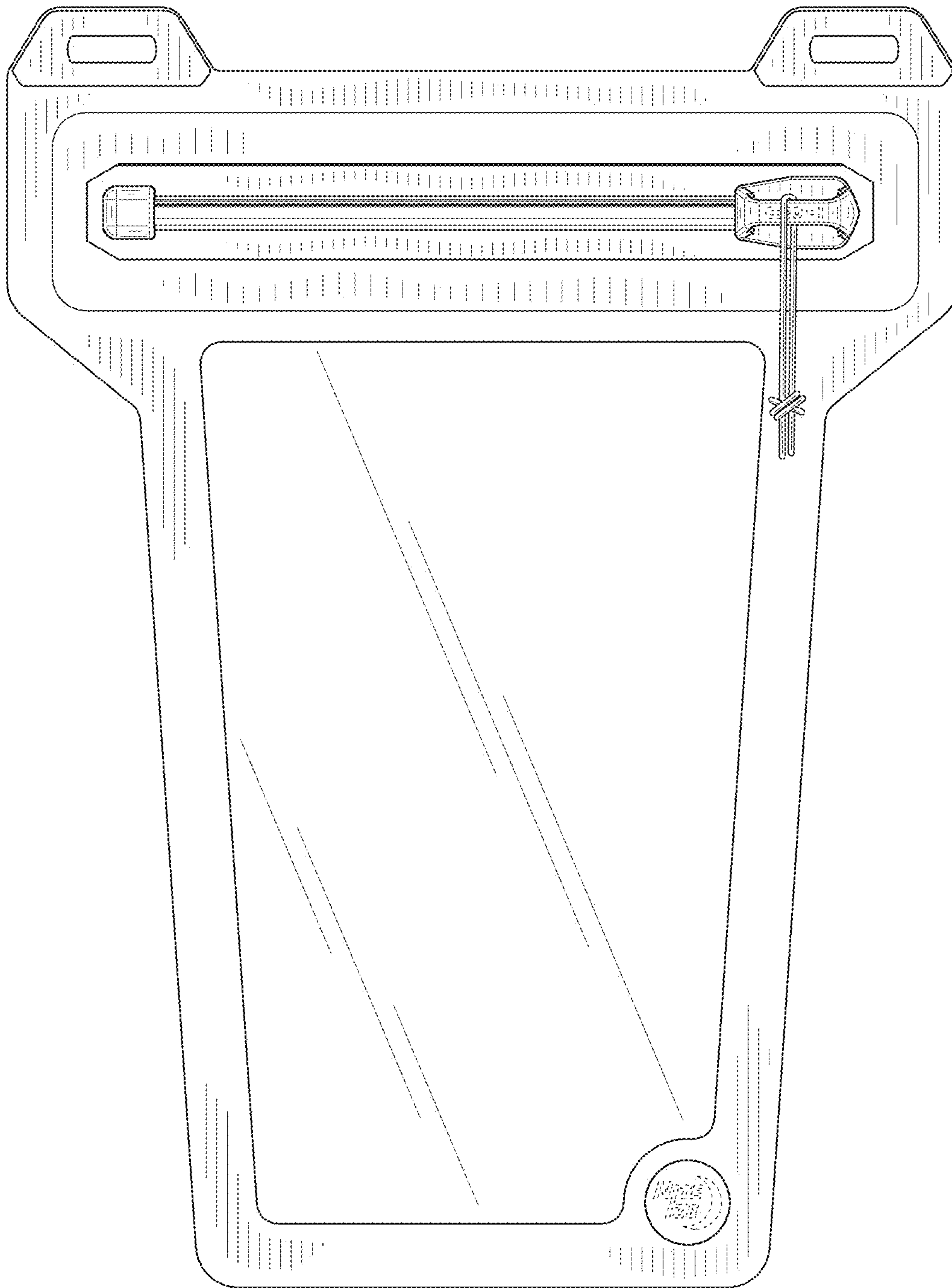


FIG. 2

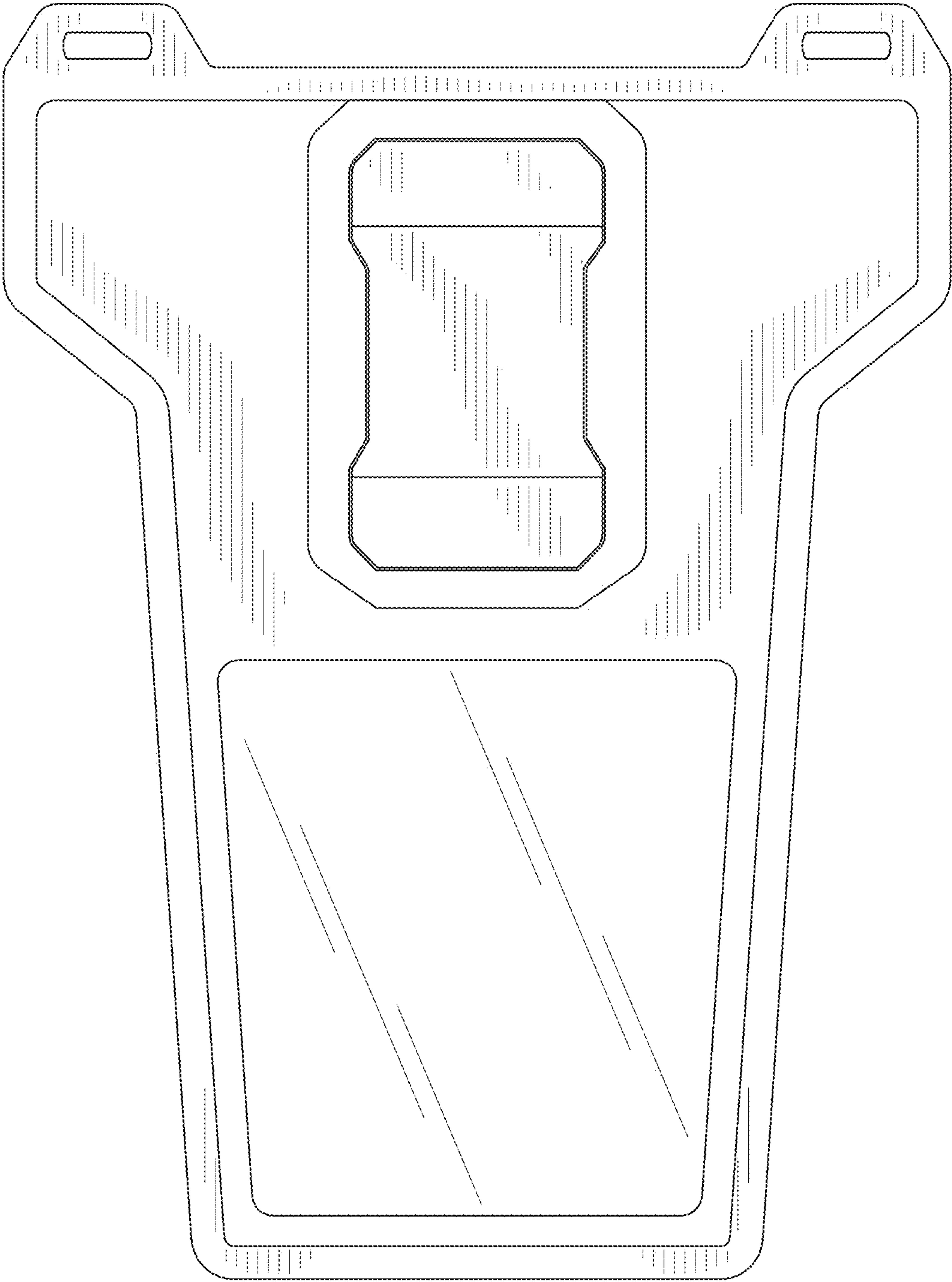


FIG. 3





FIG. 4

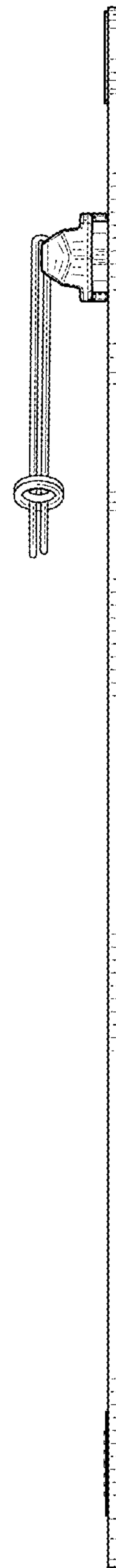


FIG. 5

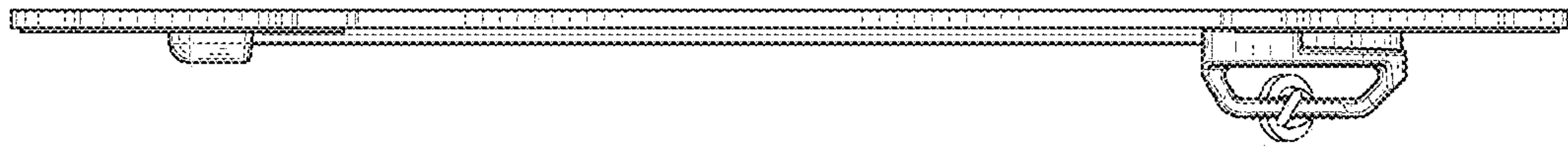


FIG. 6

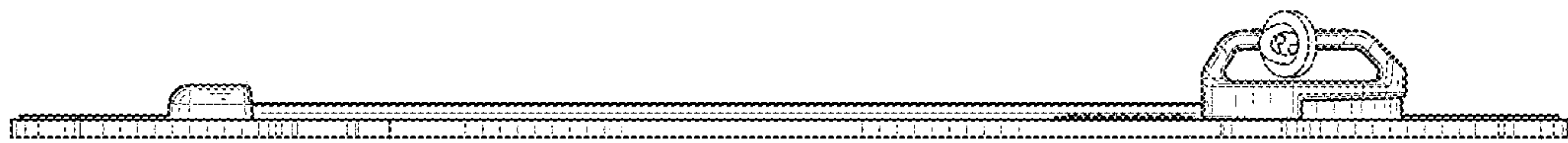


FIG. 7

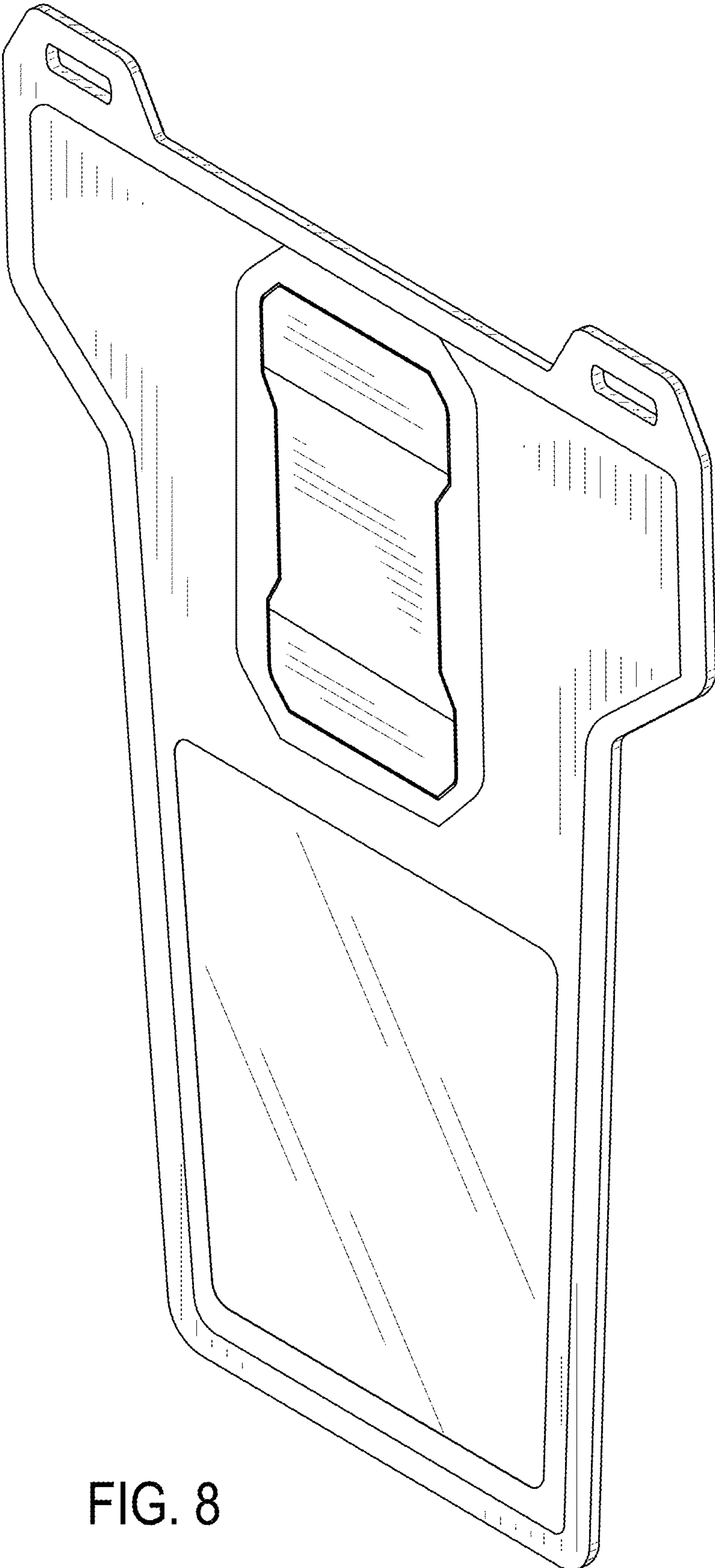


FIG. 8