



US00D902050S

(12) **United States Design Patent**  
**Begier et al.**

(10) **Patent No.:** **US D902,050 S**  
(45) **Date of Patent:** **\*\* Nov. 17, 2020**

- (54) **SPRAY BOTTLE WITH A BELT CLIP**
- (71) Applicants: **Trudie Begier**, Broomfield, CO (US);  
**Wayne Dickerson**, Broomfield, CO (US)
- (72) Inventors: **Trudie Begier**, Broomfield, CO (US);  
**Wayne Dickerson**, Broomfield, CO (US)
- (\*\*) Term: **15 Years**
- (21) Appl. No.: **29/699,051**
- (22) Filed: **Jul. 23, 2019**
- (51) **LOC (12) Cl.** ..... **09-01**
- (52) **U.S. Cl.**  
USPC ..... **D9/685; D9/719**
- (58) **Field of Classification Search**  
USPC ..... D9/682-694, 715, 719, 722, 739,  
D9/751-754, 516, 517, 434, 443, 448,  
D9/549-558; D23/223, 225, 226, 228;  
D3/215; D32/35  
CPC .. B65D 23/001; B65D 23/003; B65D 23/005;  
B65D 23/10; B65D 23/104; B65D 83/14;  
B65D 83/16; B65D 83/20; B65D 83/201;  
B65D 83/202; B65D 83/203; B65D  
83/22; B65D 83/28; B65D 83/30; B65D  
83/36; B65D 83/38; B65D 83/388; B65D  
2501/24942; B65D 2583/00; B05B 11/00;  
B05B 11/0037; B05B 11/0038; B05B  
11/30-3098; B05B 15/62  
See application file for complete search history.

D259,332 S *	5/1981	Walton	.....	D9/545
D314,916 S *	2/1991	Brooks	.....	D9/448
D347,136 S *	5/1994	Costa	.....	D29/126
D351,991 S *	11/1994	Bertolini	.....	D9/558
5,657,910 A *	8/1997	Keyser	.....	B05B 11/3045 222/382
D399,416 S *	10/1998	Elmore	.....	D9/690
6,279,794 B1 *	8/2001	Miyazaki	.....	A45F 3/16 224/148.4
6,398,132 B1 *	6/2002	Junkel	.....	B05B 11/0037 239/289
7,047,601 B1	5/2006	Vernon-Woods		
D715,153 S *	10/2014	Hansen	.....	D9/685
D735,051 S	7/2015	Conway		
D744,351 S *	12/2015	Hansen	.....	D9/685
10,138,021 B2	11/2018	Foster		
2002/0148909 A1 *	10/2002	Junkel	.....	B05B 11/0086 239/289
2006/0249953 A1 *	11/2006	Gill	.....	B65D 83/38 285/324

(Continued)

**FOREIGN PATENT DOCUMENTS**

DE	202013002410 U1 *	6/2013	.....	A47K 5/12
WO	2017023850	2/2017		

*Primary Examiner* — Catherine A Tuttle

(57) **CLAIM**

We claim the ornamental design for a spray bottle with a belt clip, as shown and described.

**DESCRIPTION**

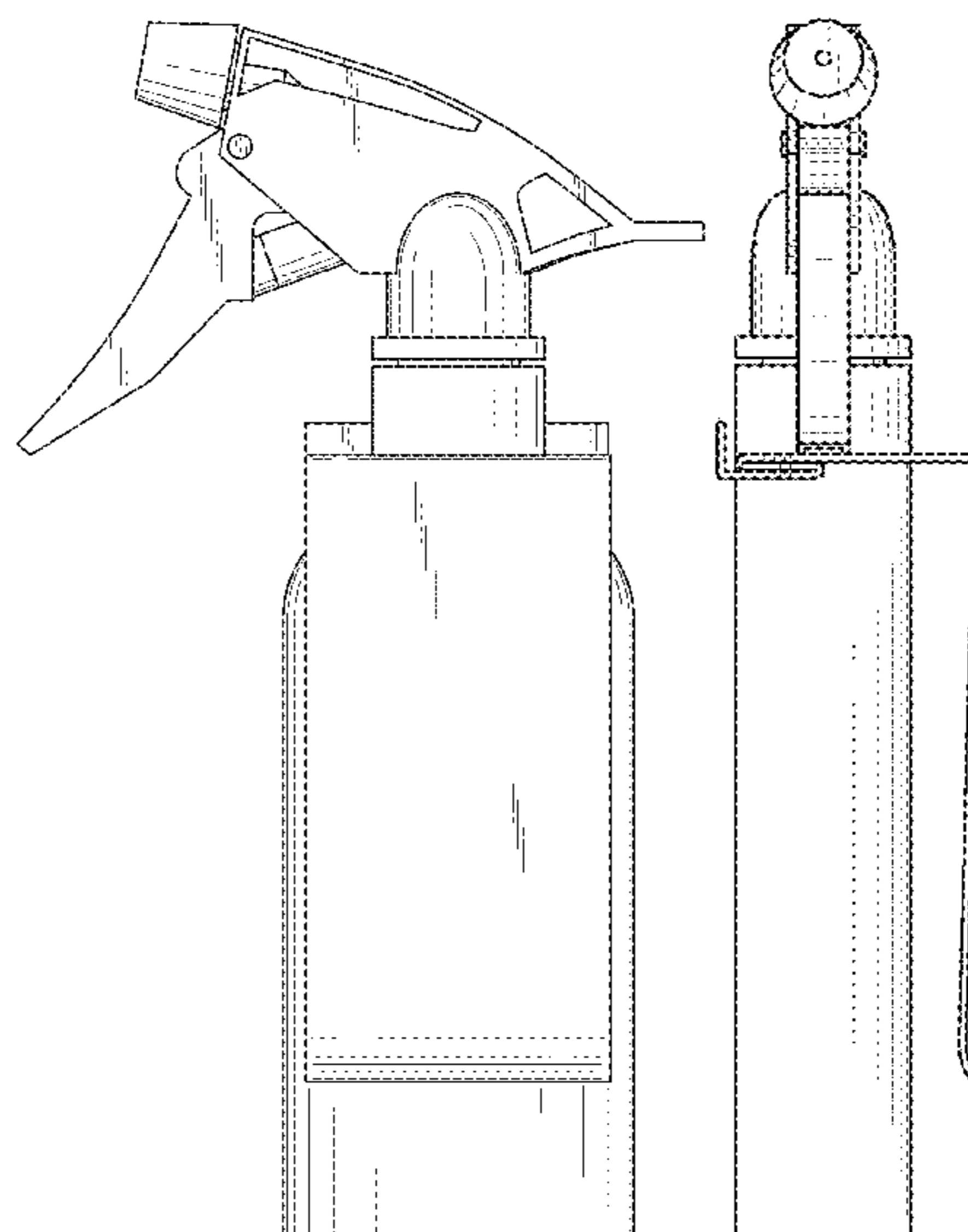
FIG. 1 is a rear view of the spray bottle with a belt clip.  
 FIG. 2 is a front view of the claimed design.  
 FIG. 3 is a left side view of the claimed design.  
 FIG. 4 is a right side view of the claimed design.  
 FIG. 5 is a top view of the claimed design.  
 FIG. 6 is a bottom view of the claimed design; and,  
 FIG. 7 is a perspective view of the claimed design.

**1 Claim, 5 Drawing Sheets**

(56) **References Cited**

**U.S. PATENT DOCUMENTS**

3,160,304 A *	12/1964	Peacock	.....	B05B 11/0005 224/666
3,450,313 A	6/1969	Jonas		
3,655,096 A *	4/1972	Easter	.....	B65D 81/3222 222/82



(56)

**References Cited**

U.S. PATENT DOCUMENTS

2008/0264940 A1\* 10/2008 Crooks ..... B65D 23/12  
220/23.83  
2010/0006606 A1\* 1/2010 Lee ..... B05B 11/0094  
222/383.1  
2010/0108857 A1 5/2010 Andrae  
2011/0240675 A1 10/2011 McDonald  
2014/0346193 A1\* 11/2014 Conway ..... A45F 5/021  
222/173  
2017/0014843 A1\* 1/2017 Richman ..... B05B 15/30  
2017/0100735 A1\* 4/2017 Taylor ..... B05B 11/3045

\* cited by examiner

FIG. 1

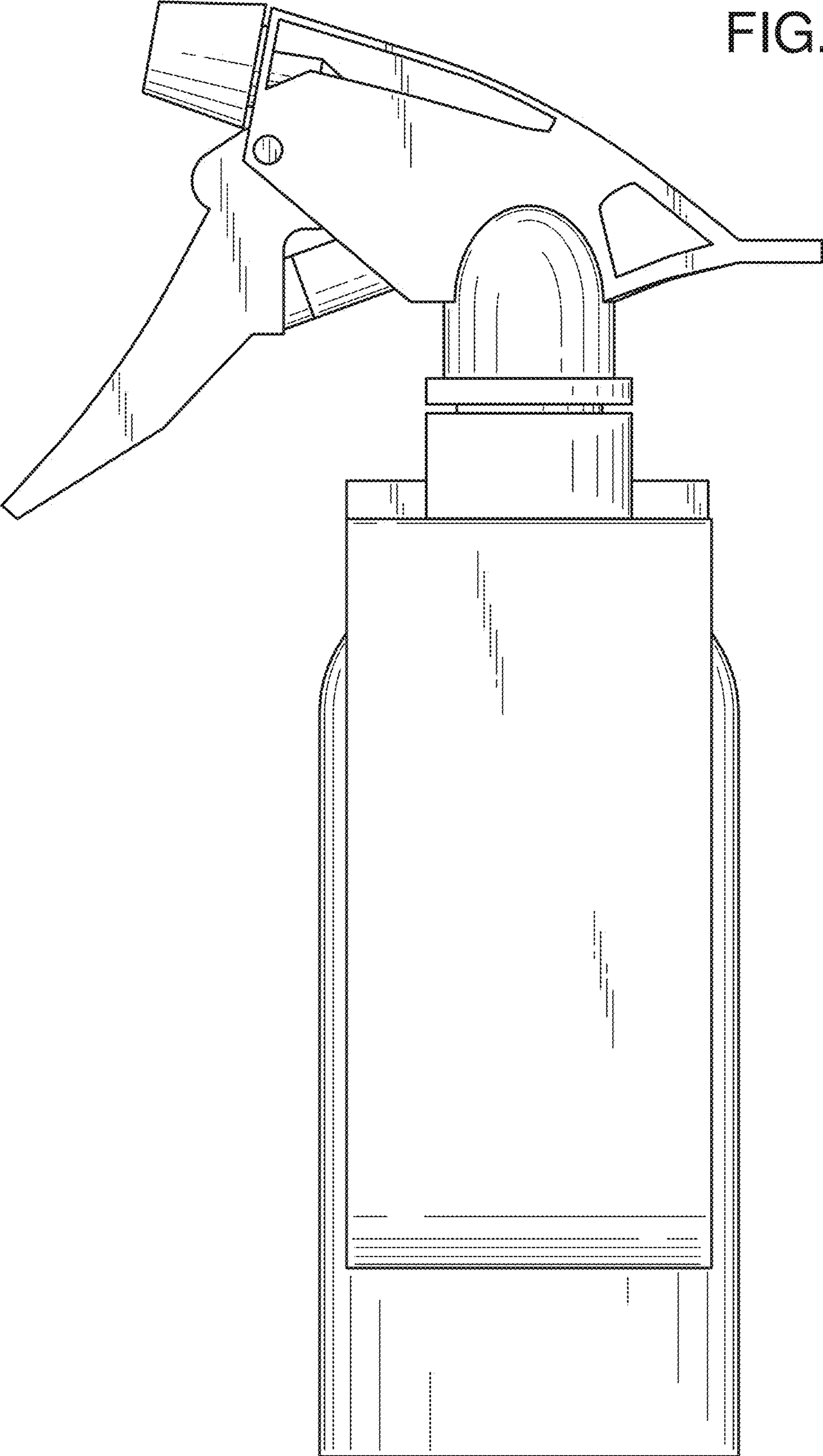


FIG. 2

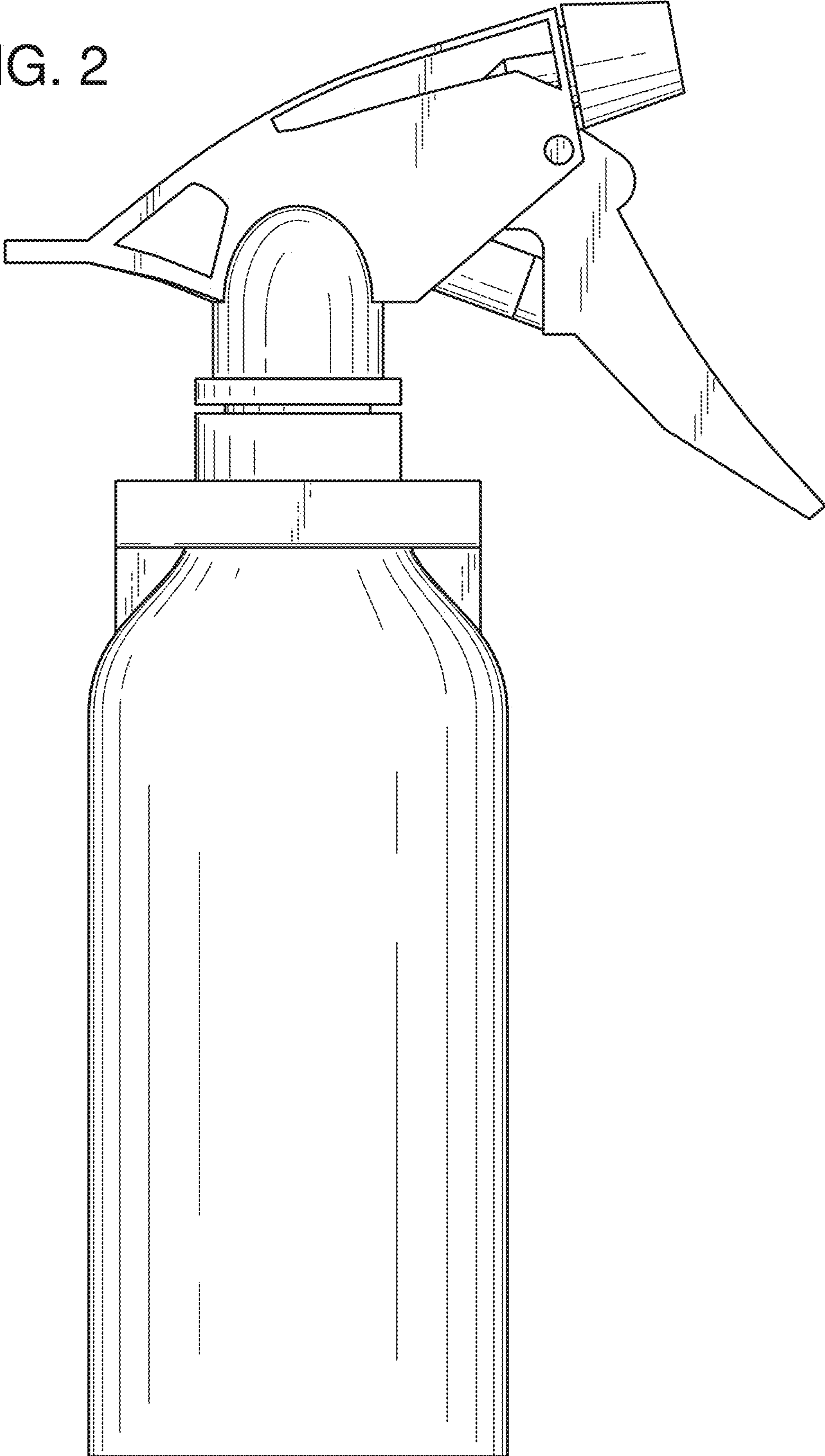


FIG. 3

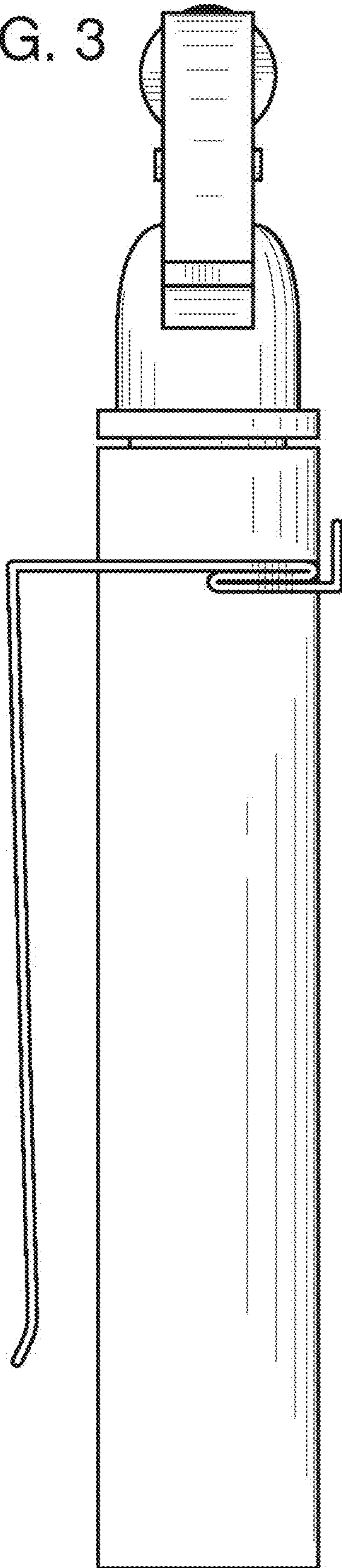
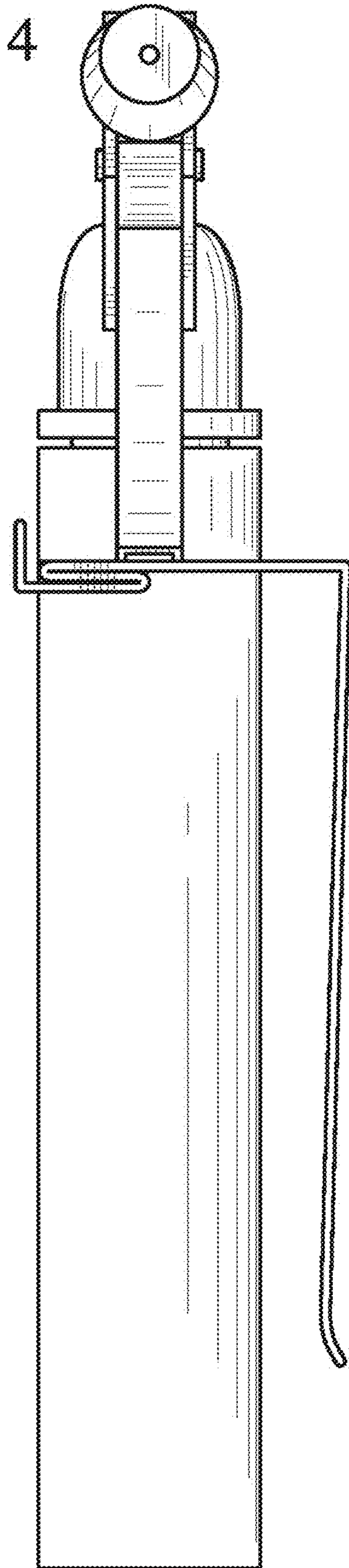


FIG. 4



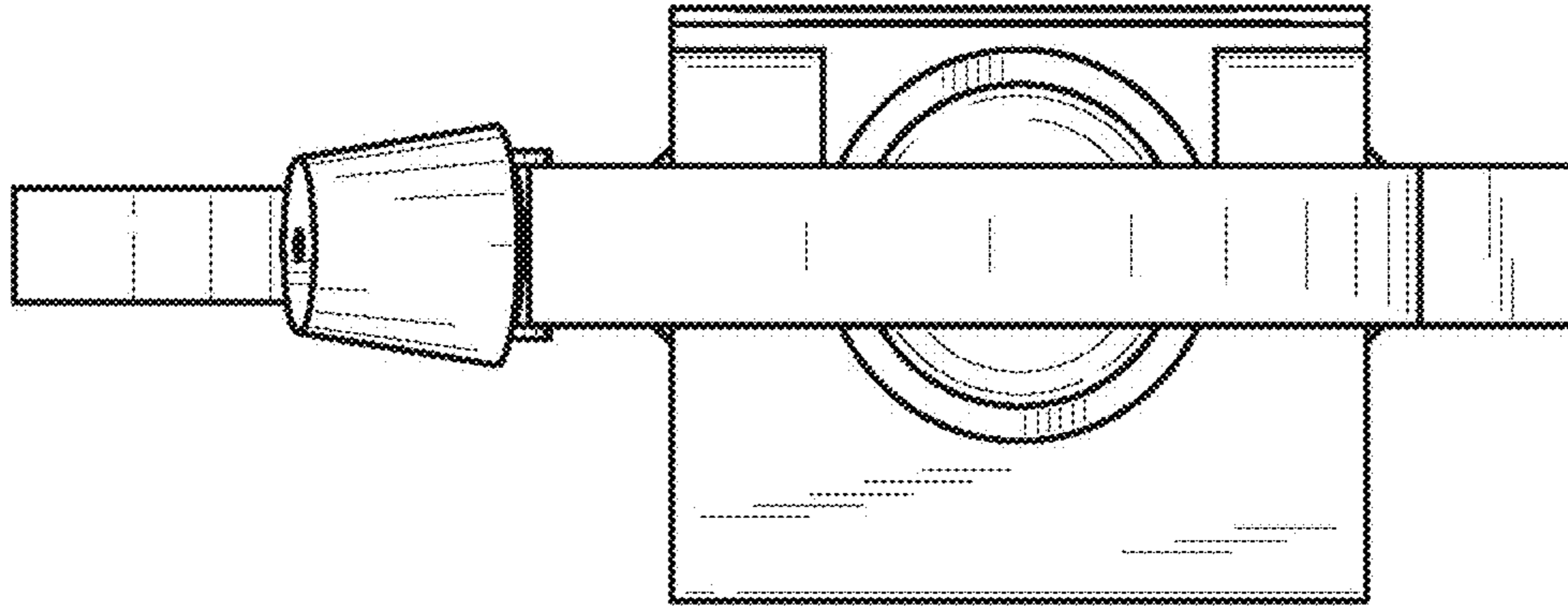


FIG. 5

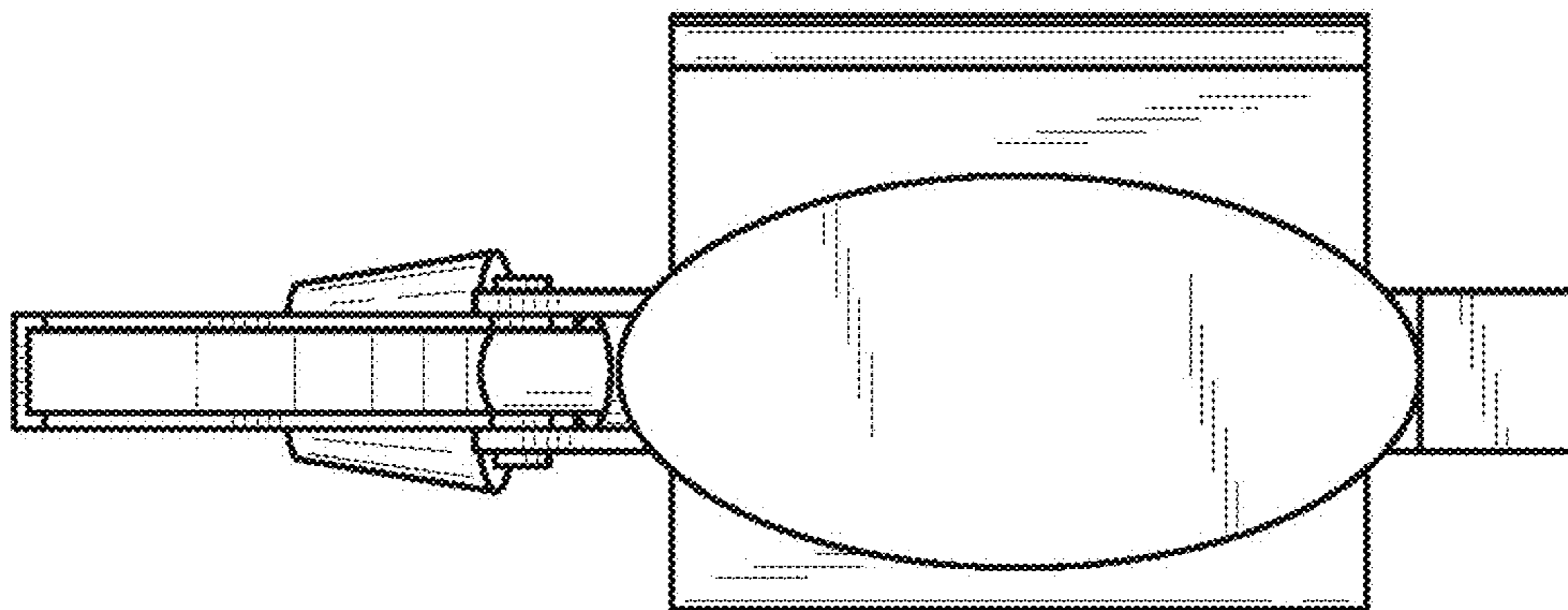


FIG. 6

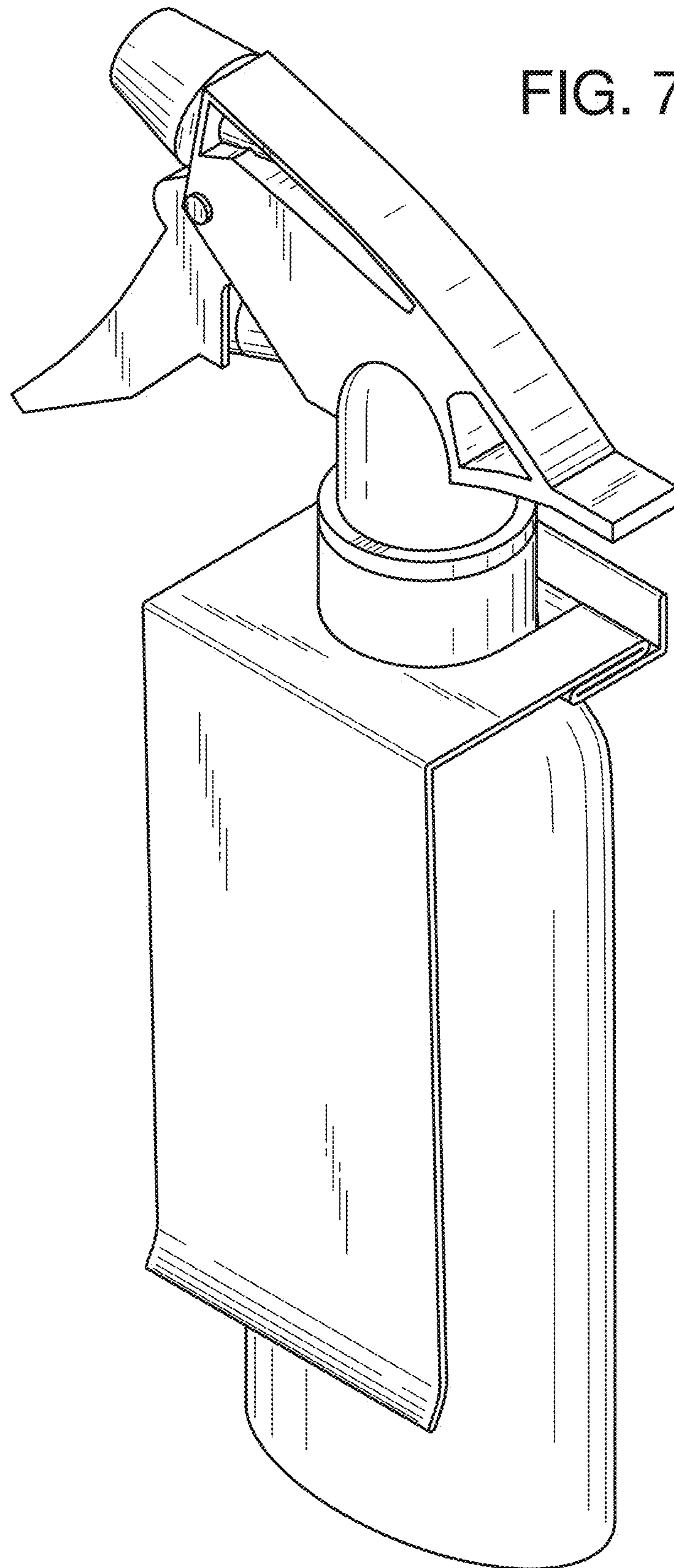


FIG. 7