



US00D902046S

(12) **United States Design Patent** (10) **Patent No.:** **US D902,046 S**
Zakka (45) **Date of Patent:** **** Nov. 17, 2020**

(54) **BOTTLE WITH DETACHABLE HANDLE**
(71) Applicant: **Richard Zakka**, Halcott Center, NY (US)
(72) Inventor: **Richard Zakka**, Halcott Center, NY (US)
(**) Term: **15 Years**
(21) Appl. No.: **29/727,340**
(22) Filed: **Mar. 10, 2020**
(51) **LOC (12) Cl.** **09-01**
(52) **U.S. Cl.**
USPC **D9/600; D9/520; D9/528**
(58) **Field of Classification Search**
USPC D9/600, 667, 516, 520, 523-528, 530, D9/531, 534, 551, 559-560
CPC B65D 1/00; B65D 1/02; B65D 1/0223; B65D 1/40; B65D 23/00; B65D 23/10
See application file for complete search history.

D553,991 S * 10/2007 Wachsberg D9/528
D555,493 S * 11/2007 Lockman D9/551
D557,141 S * 12/2007 Pedmo D9/541
D573,032 S * 7/2008 Lockman B65D 1/0223
D9/551
D580,768 S * 11/2008 Ferguson D9/528
D610,913 S * 3/2010 Lesueur D9/600
D659,010 S * 5/2012 Oommen D9/600
D660,710 S * 5/2012 Kallenbach D9/528
D744,349 S * 12/2015 Huey B65D 23/10
D9/600
D756,232 S * 5/2016 Dunster B65D 23/10
D9/531
D798,161 S * 9/2017 Bayani B65D 1/0223
D9/560
D833,882 S * 11/2018 Le Luherne D9/600
D840,236 S * 2/2019 Arianpour D9/534
2008/0083764 A1 * 4/2008 Kaminski B65D 1/0223
220/660

* cited by examiner

Primary Examiner — Sandra L Morris

(57) **CLAIM**

The ornamental design for a bottle with detachable handle, as shown and described.

(56) **References Cited**

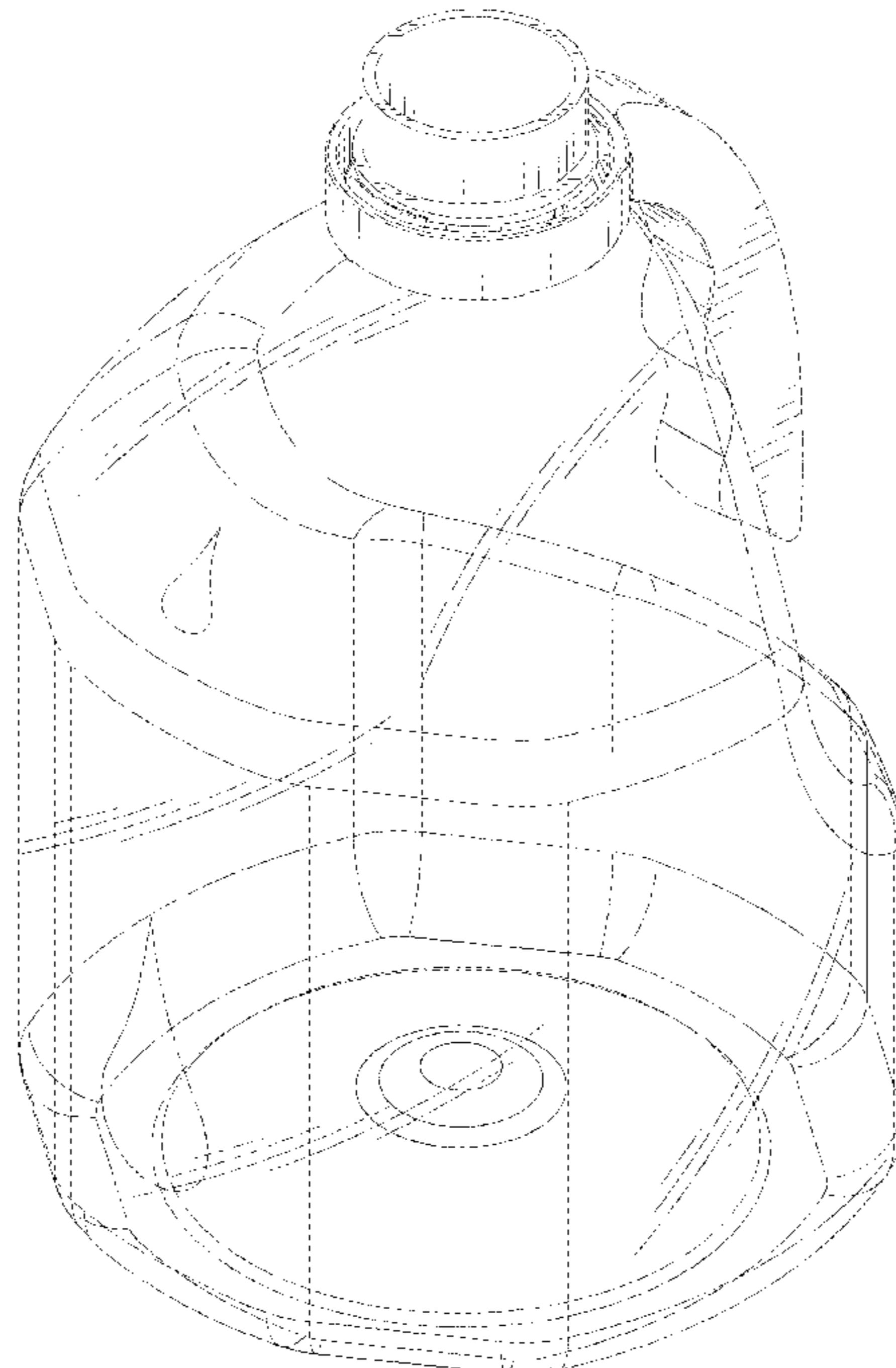
U.S. PATENT DOCUMENTS

2,831,593 A * 4/1958 Sterges B65D 23/10
215/398
2,831,594 A * 4/1958 Sterges B65D 23/10
215/398
D229,540 S * 12/1973 Anderson D9/531
D351,347 S * 10/1994 Ring D9/528
D371,969 S * 7/1996 Cabo D9/600
D397,036 S * 8/1998 Katakouzinis D9/520
5,833,115 A * 11/1998 Eiten B65D 23/10
220/669
D465,385 S * 11/2002 Miller D9/538
D515,932 S * 2/2006 Sinclair D9/528
D529,398 S * 10/2006 Van Dingenen D9/528

DESCRIPTION

FIG. 1 is a front top left perspective view of a bottle with detachable handle;
FIG. 2 is a rear bottom right perspective view thereof;
FIG. 3 is a front elevational view thereof;
FIG. 4 is a rear elevational view thereof;
FIG. 5 is a top plan view thereof;
FIG. 6 is a bottom plan view thereof;
FIG. 7 is a right elevational view thereof; and,
FIG. 8 is a left elevational view thereof.

1 Claim, 8 Drawing Sheets



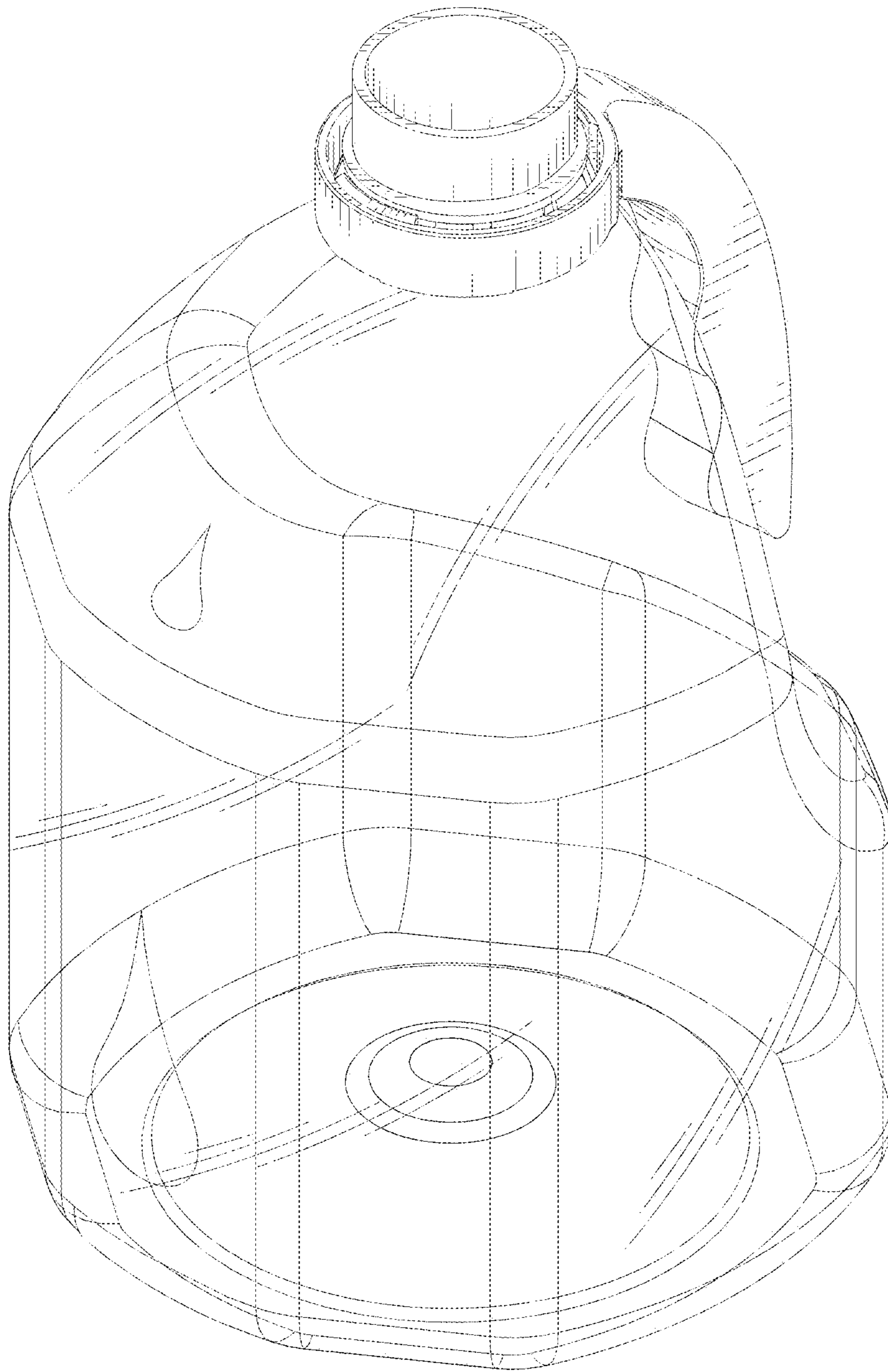


FIG. 1

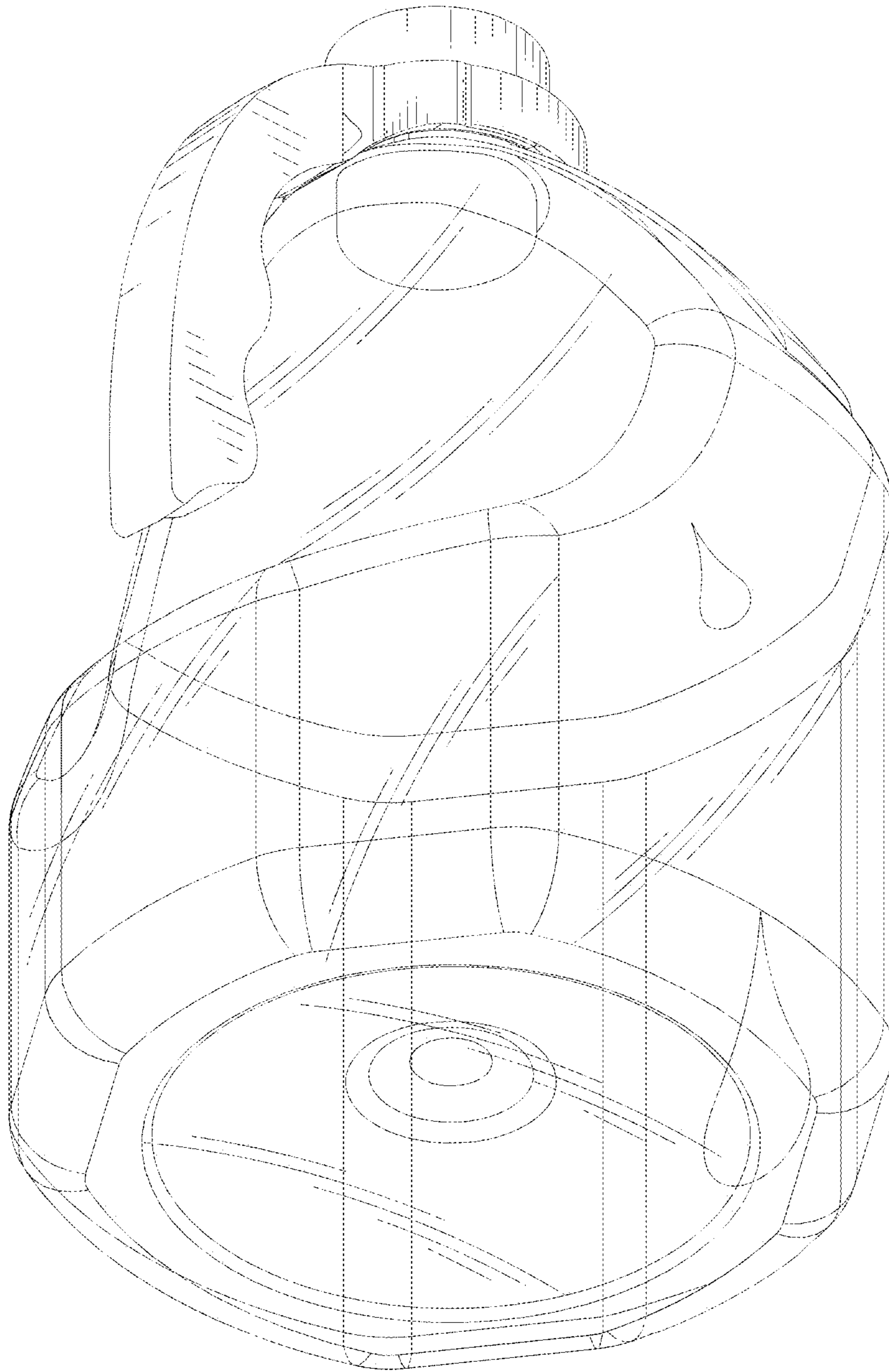


FIG. 2

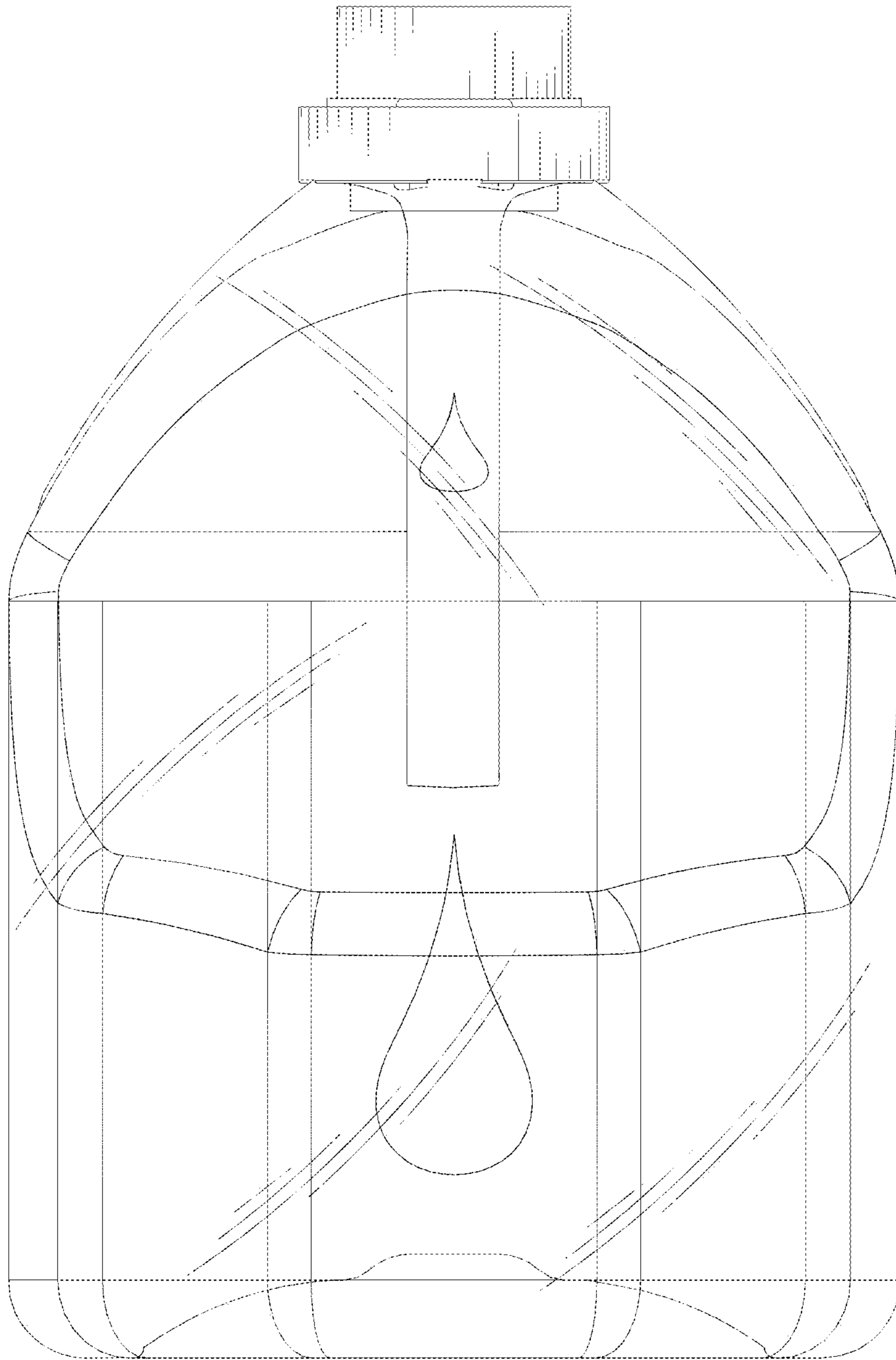


FIG. 3

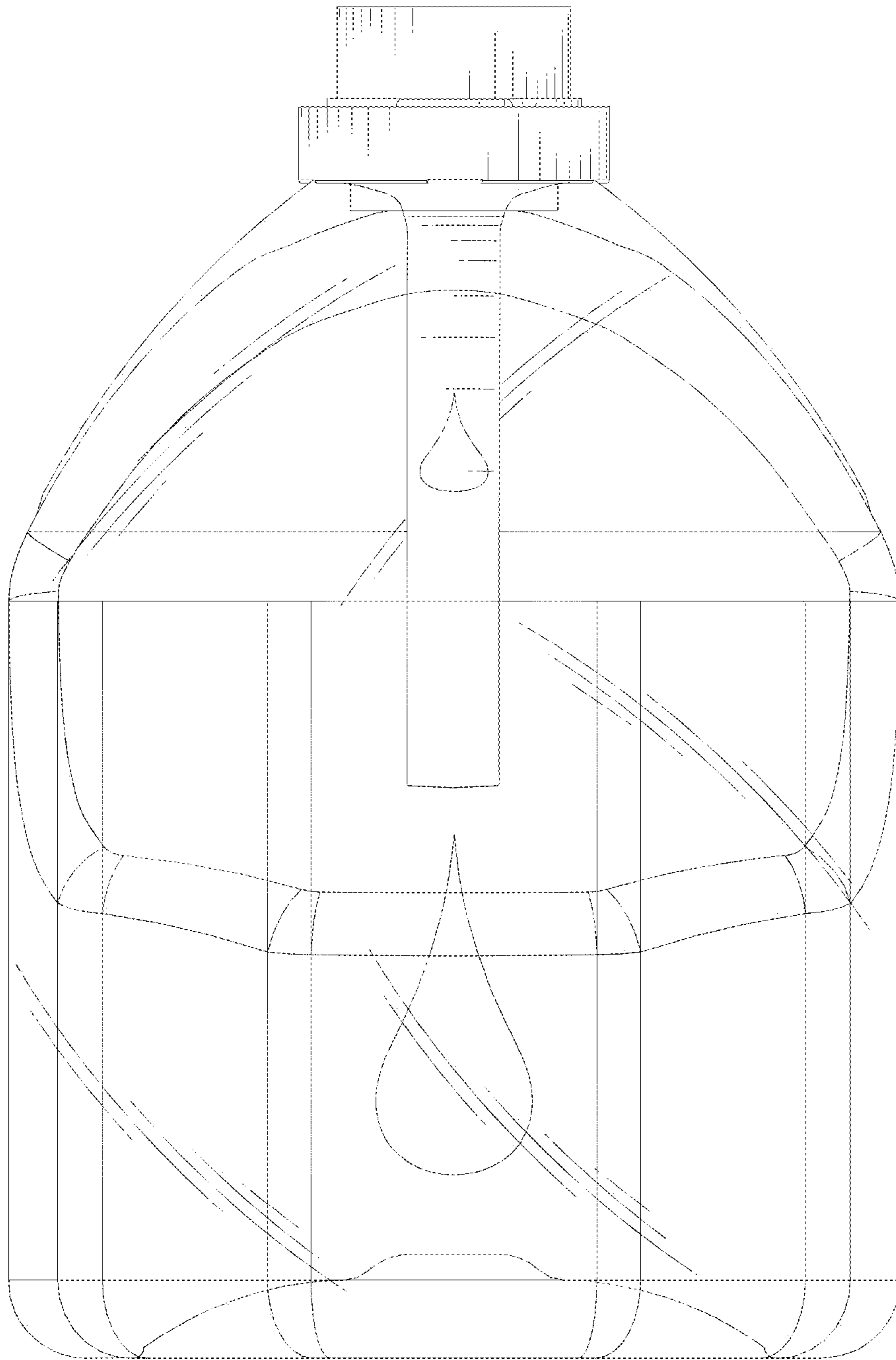


FIG. 4

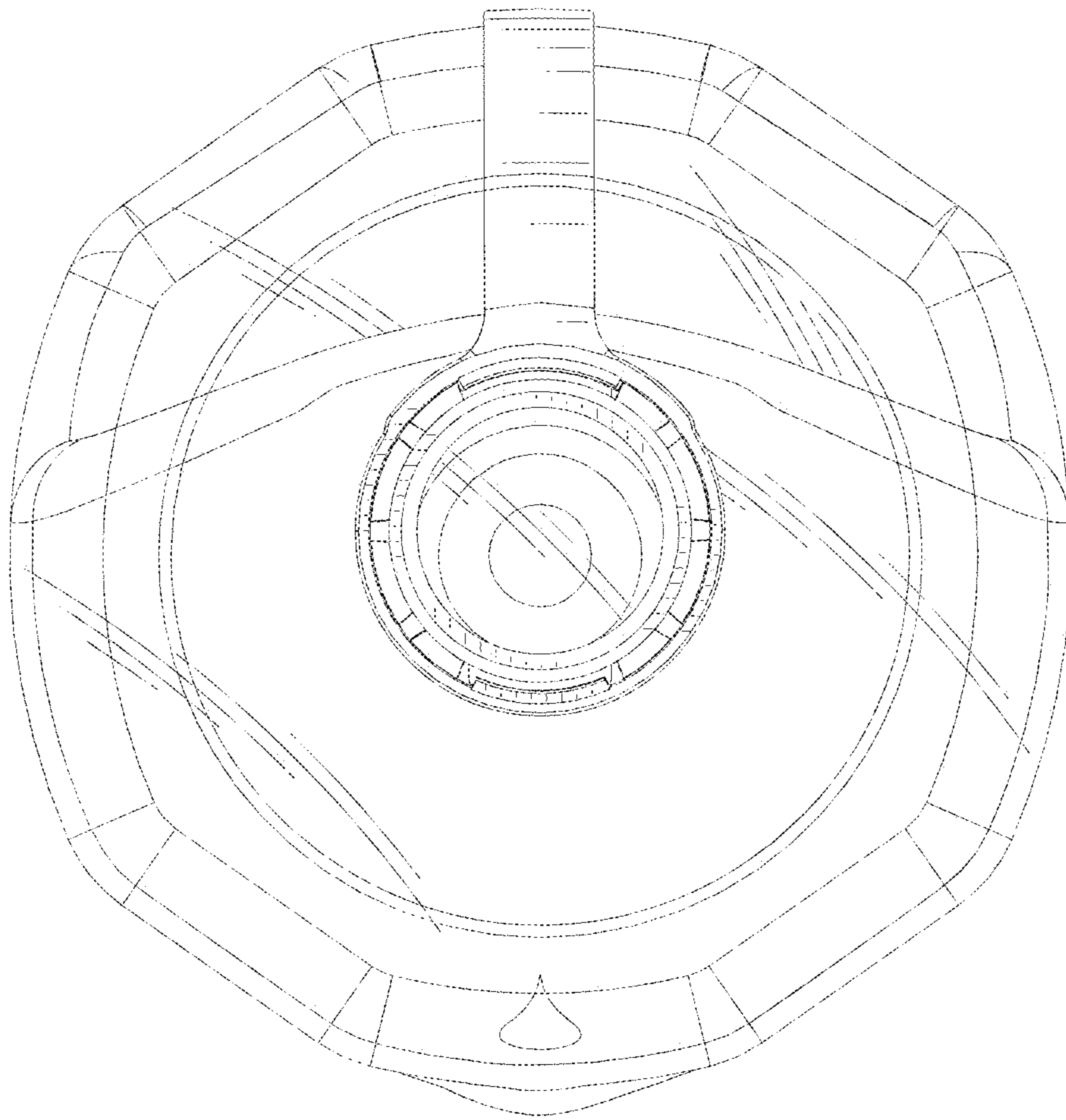


FIG. 5

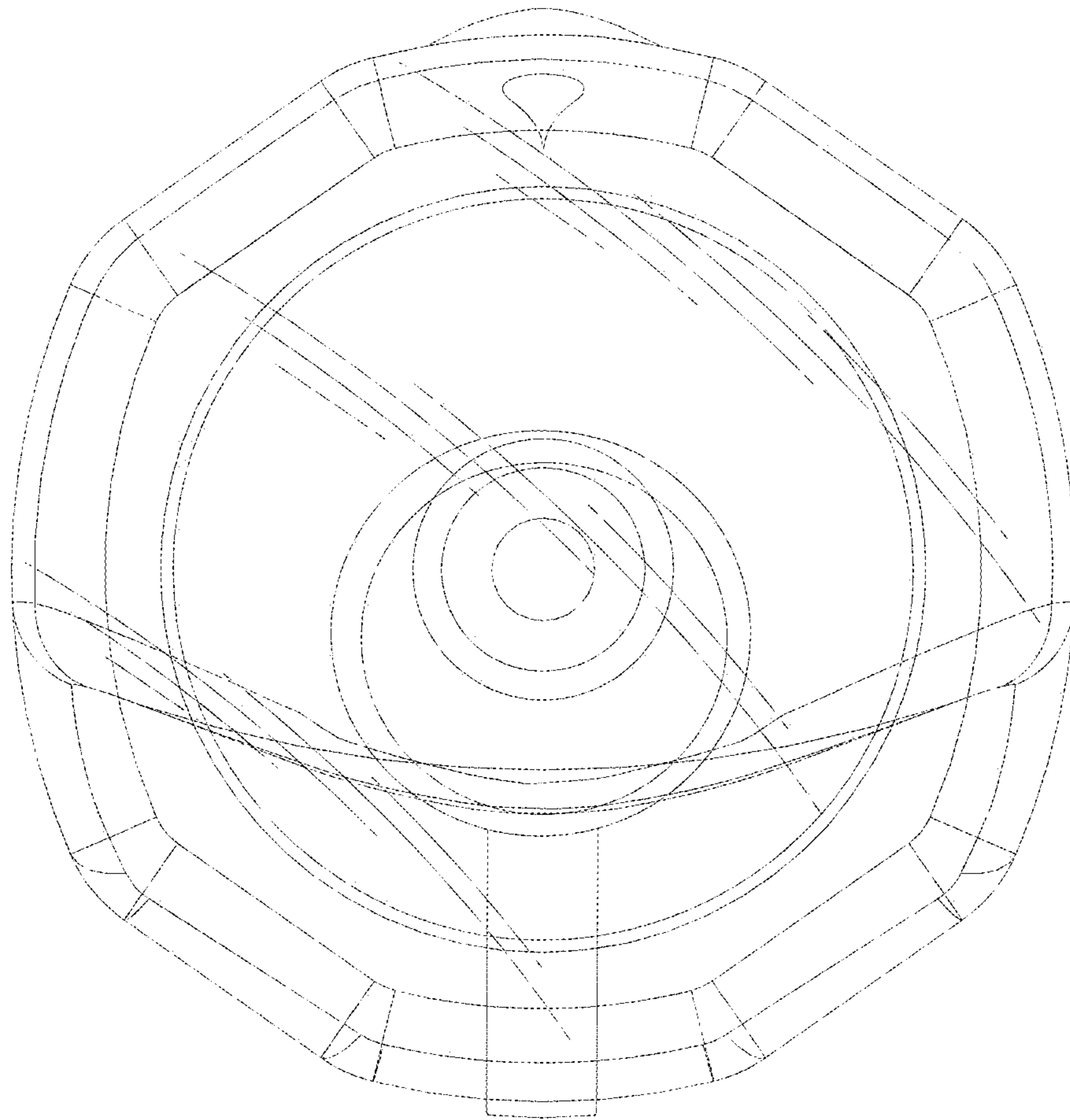


FIG. 6

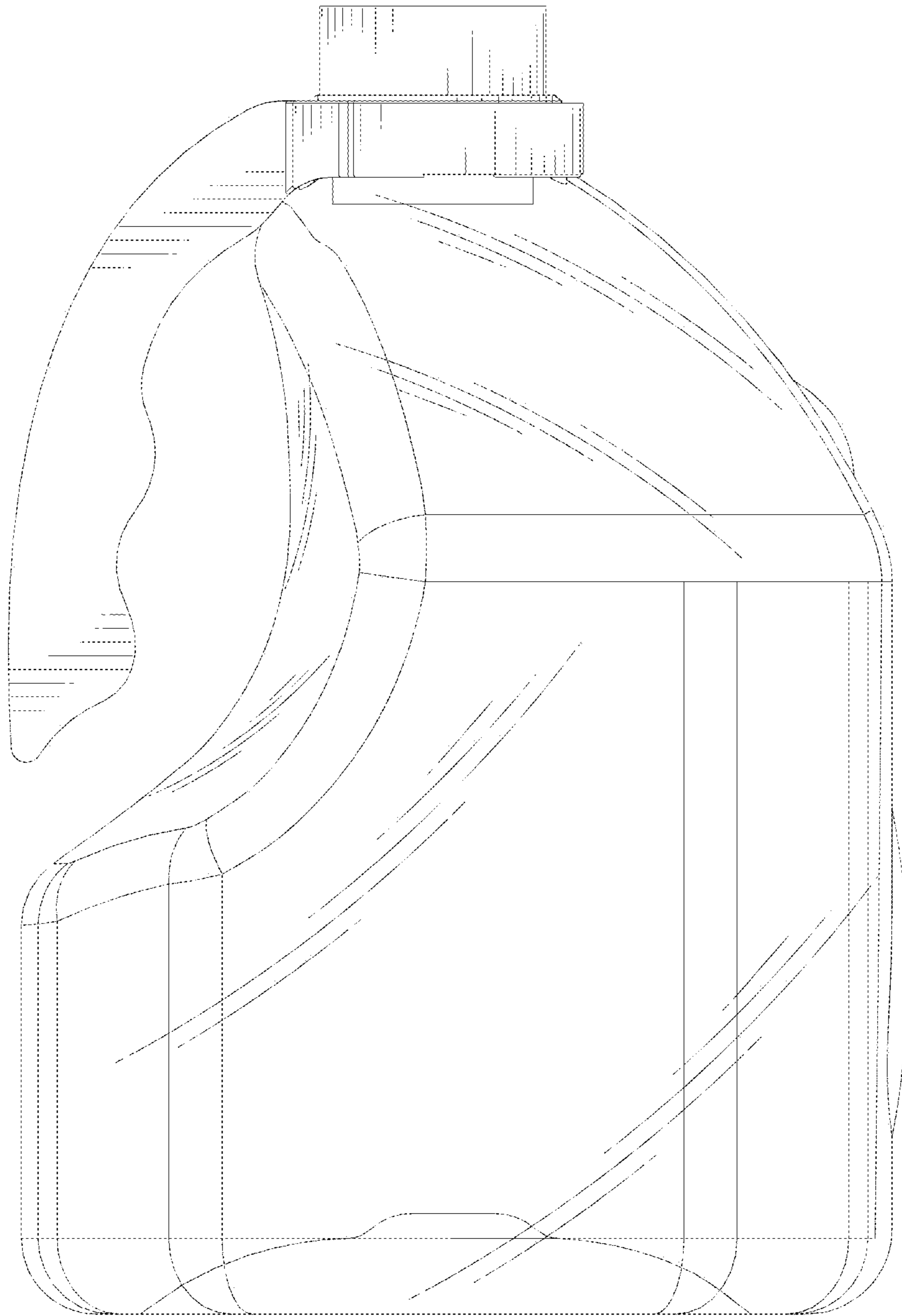


FIG. 7

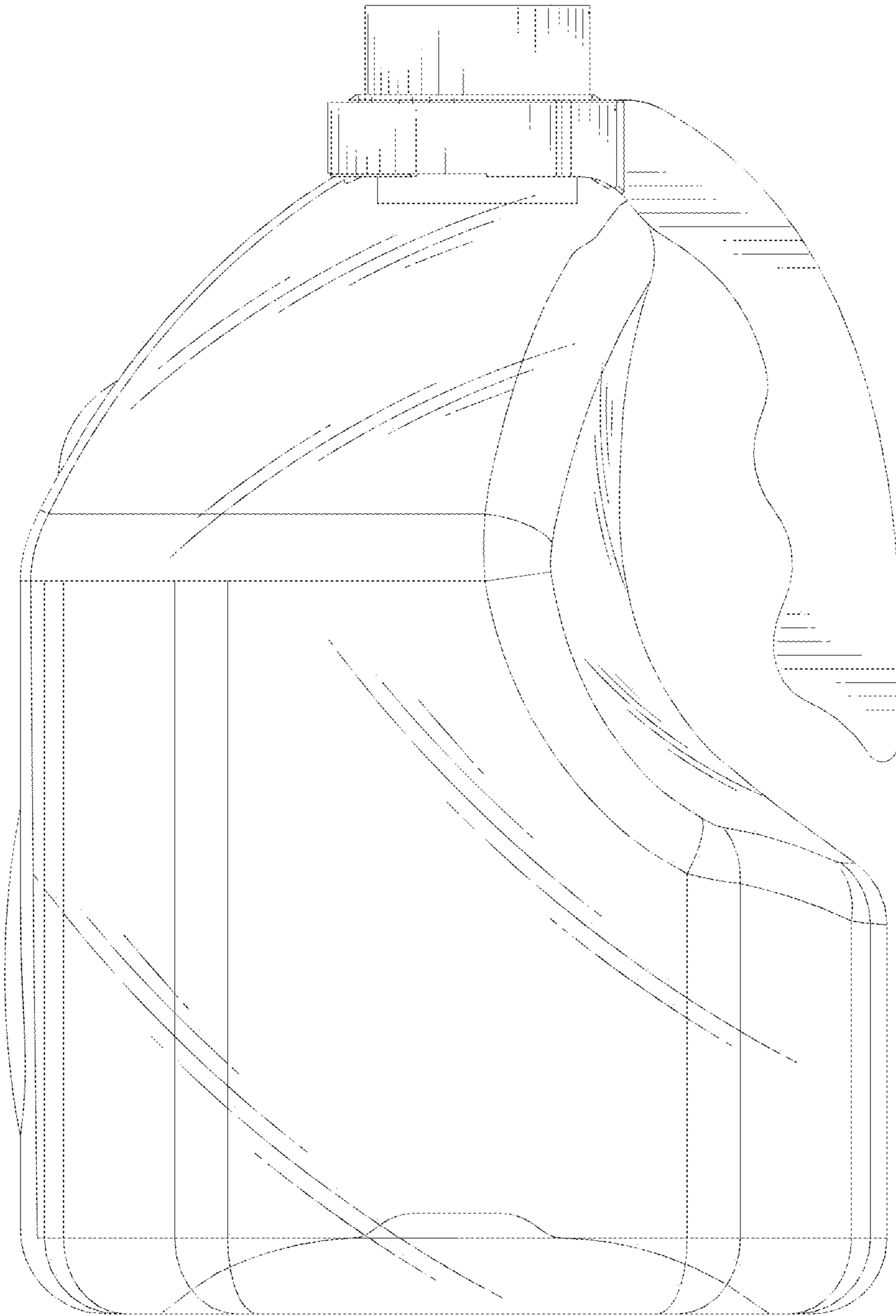


FIG. 8