



US00D902044S

(12) **United States Design Patent**
Brozell

(10) **Patent No.:** **US D902,044 S**

(45) **Date of Patent:** **** Nov. 17, 2020**

(54) **CONTAINER WITH POLYGON SHAPED SKIRT**

D570,221 S * 6/2008 Moretti D9/454
D577,290 S 9/2008 Moretti
D577,292 S * 9/2008 Moretti D9/560

(Continued)

(71) Applicant: **Mold-Rite Plastics, LLC**, Twinsburg, OH (US)

Primary Examiner — Lauren R Calve

(72) Inventor: **Leonora M. Brozell**, Maumee, OH (US)

(74) *Attorney, Agent, or Firm* — Faegre Drinker Biddle & Reath LLP

(73) Assignee: **Mold-Rite Plastics, LLC**, Twinsburg, OH (US)

(57) **CLAIM**

The ornamental design for a container with polygon shaped skirt, as shown and described.

(**) Term: **15 Years**

DESCRIPTION

(21) Appl. No.: **29/683,275**

FIG. 1 is a top front perspective view of a container with polygon shaped skirt according to the present invention.

(22) Filed: **Mar. 12, 2019**

FIG. 2 is a bottom front perspective view of the container of FIG. 1.

(51) **LOC (12) Cl.** **09-01**

(52) **U.S. Cl.**

FIG. 3 is another bottom front perspective view of the container of FIG. 1.

USPC **D9/560**; D9/573; D9/574

(58) **Field of Classification Search**

USPC D9/414, 424, 425, 430, 431, 432, 542, D9/559, 560, 573, 574; D28/83; D7/629

CPC B65D 2543/00518; B65D 41/17; B65D 41/34; B65D 1/0261; B65D 1/40; B65D 41/06

FIG. 4 is a bottom view of the container of FIG. 1.

FIG. 5 is a section view of the container of FIG. 1 taken along lines 5-5 in FIG. 4.

FIG. 6 is a top front perspective view of the container of FIG. 1 with a closure attached.

See application file for complete search history.

FIG. 7 is a top front perspective view of another embodiment of a container with polygon shaped skirt according to the present invention.

FIG. 8 is a bottom front perspective view of the container of FIG. 7.

(56) **References Cited**

U.S. PATENT DOCUMENTS

D98,055 S	1/1936	Conner	
2,076,551 A	4/1937	Conner	
2,077,215 A	4/1937	Conner	
D221,978 S	9/1971	Daenen et al.	
D222,375 S	10/1971	Bencik	
3,713,528 A	1/1973	Daenen et al.	
D262,518 S *	1/1982	Cottrell	D9/520
D280,710 S	9/1985	Skylvik	
D287,404 S	12/1986	Johansson et al.	
D322,195 S	12/1991	Daenen et al.	
D330,429 S	10/1992	Lewis et al.	
D444,702 S	7/2001	Castleberry, II	

FIG. 9 is another bottom front perspective view of the container of FIG. 7.

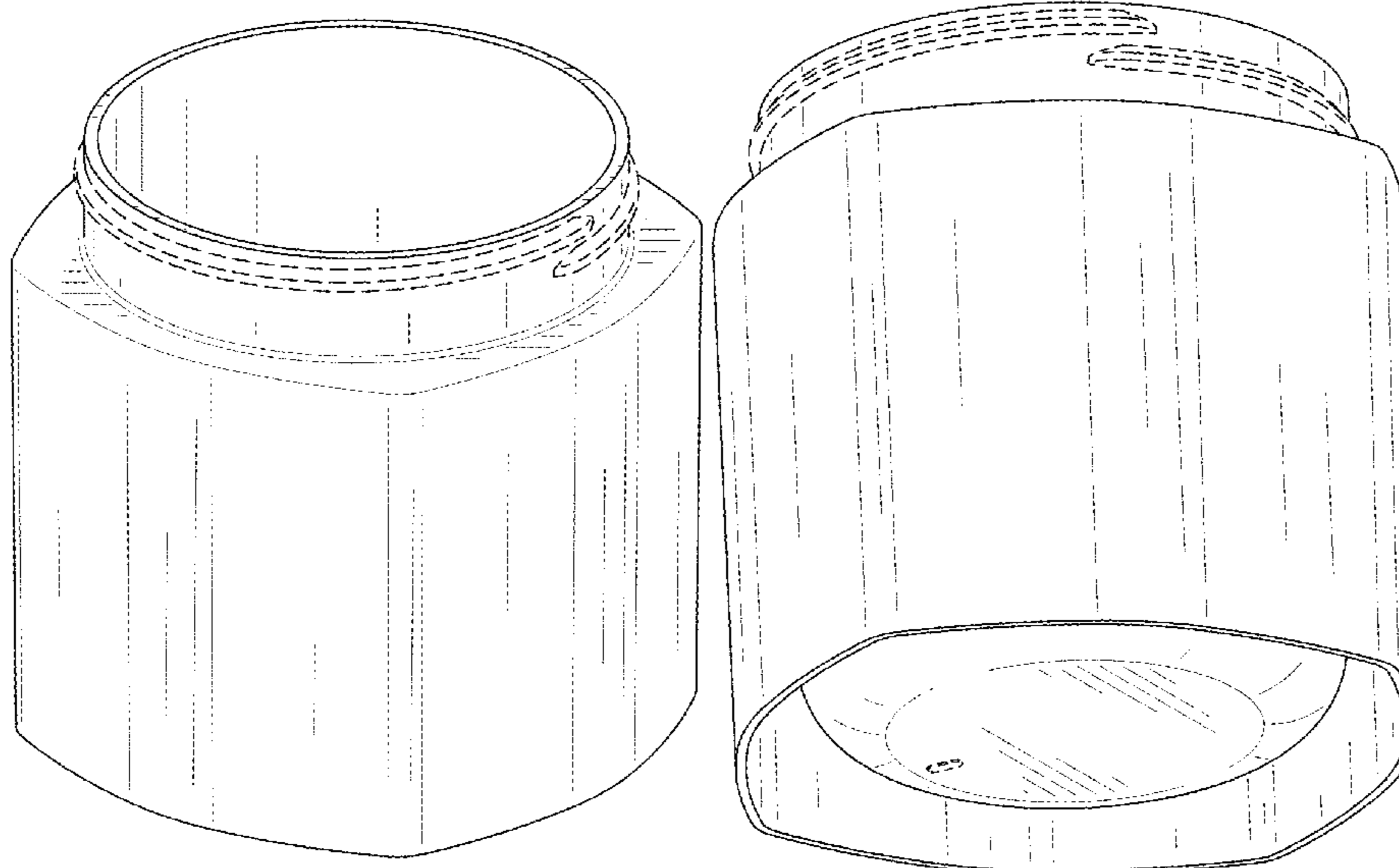
FIG. 10 is a bottom view of the container of FIG. 7.

FIG. 11 is a section view of the container of FIG. 7 taken along lines 11-11 in FIG. 10; and,

FIG. 12 is a top front perspective view of the container of FIG. 7 with a closure attached.

The portions of the drawings appearing in broken lines are for environment only and do not form a part of the claimed design.

1 Claim, 12 Drawing Sheets



(56)

References Cited

U.S. PATENT DOCUMENTS

D578,891	S	10/2008	Canamasas Puigbo	
D579,784	S *	11/2008	Varlet	D9/544
D586,472	S	2/2009	Harold et al.	
D587,589	S *	3/2009	Varlet	D9/558
D603,716	S *	11/2009	Rica	D9/560
D605,529	S	12/2009	Holtrop	
D613,177	S *	4/2010	Lee	D9/560
8,777,066	B2	7/2014	Esteve et al.	
D746,627	S	1/2016	Puigbo	
D786,078	S *	5/2017	Futagami	D9/529
D787,895	S *	5/2017	Kilduff	D7/629
D804,950	S	12/2017	Spurrier et al.	
D814,705	S	4/2018	Norris	
D821,216	S *	6/2018	Weinrich	D9/560
D825,336	S	8/2018	Spurrier et al.	
D836,982	S	1/2019	Diener et al.	
D842,109	S	3/2019	Marotta	
D845,768	S	4/2019	Mateus et al.	
D860,792	S *	9/2019	Brozell	D9/500
D891,263	S *	7/2020	Castaneda-Alcantara	D9/560
2005/0011895	A1 *	1/2005	Lin	B65D 51/245 220/300
2011/0297704	A1 *	12/2011	Esteve	A45D 34/00 222/390
2016/0262523	A1	9/2016	Kim et al.	
2017/0001763	A1 *	1/2017	Hu	B65D 41/06
2020/0002046	A1 *	1/2020	Brozell	B65D 21/0228

* cited by examiner

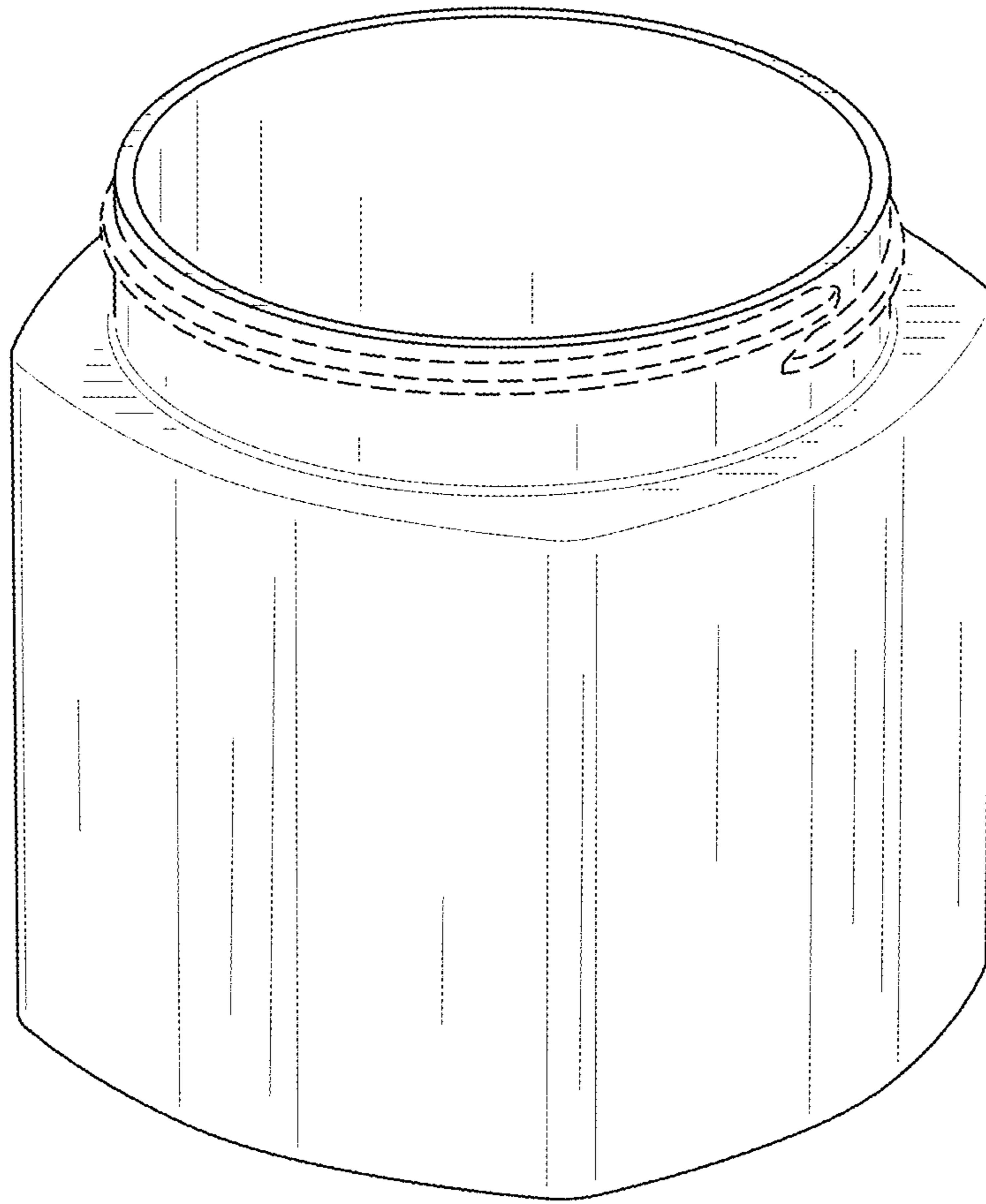


FIG. 1

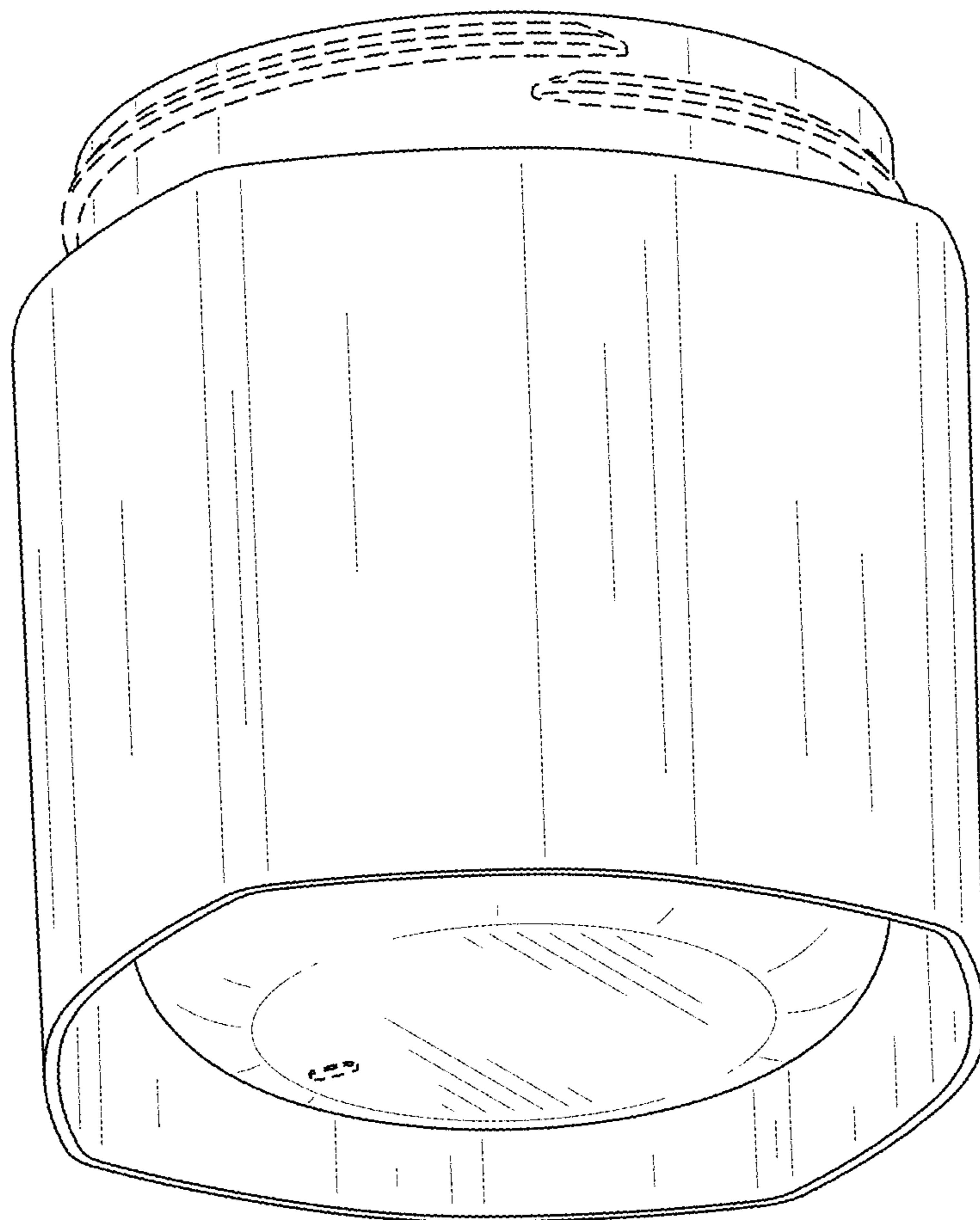


FIG. 2

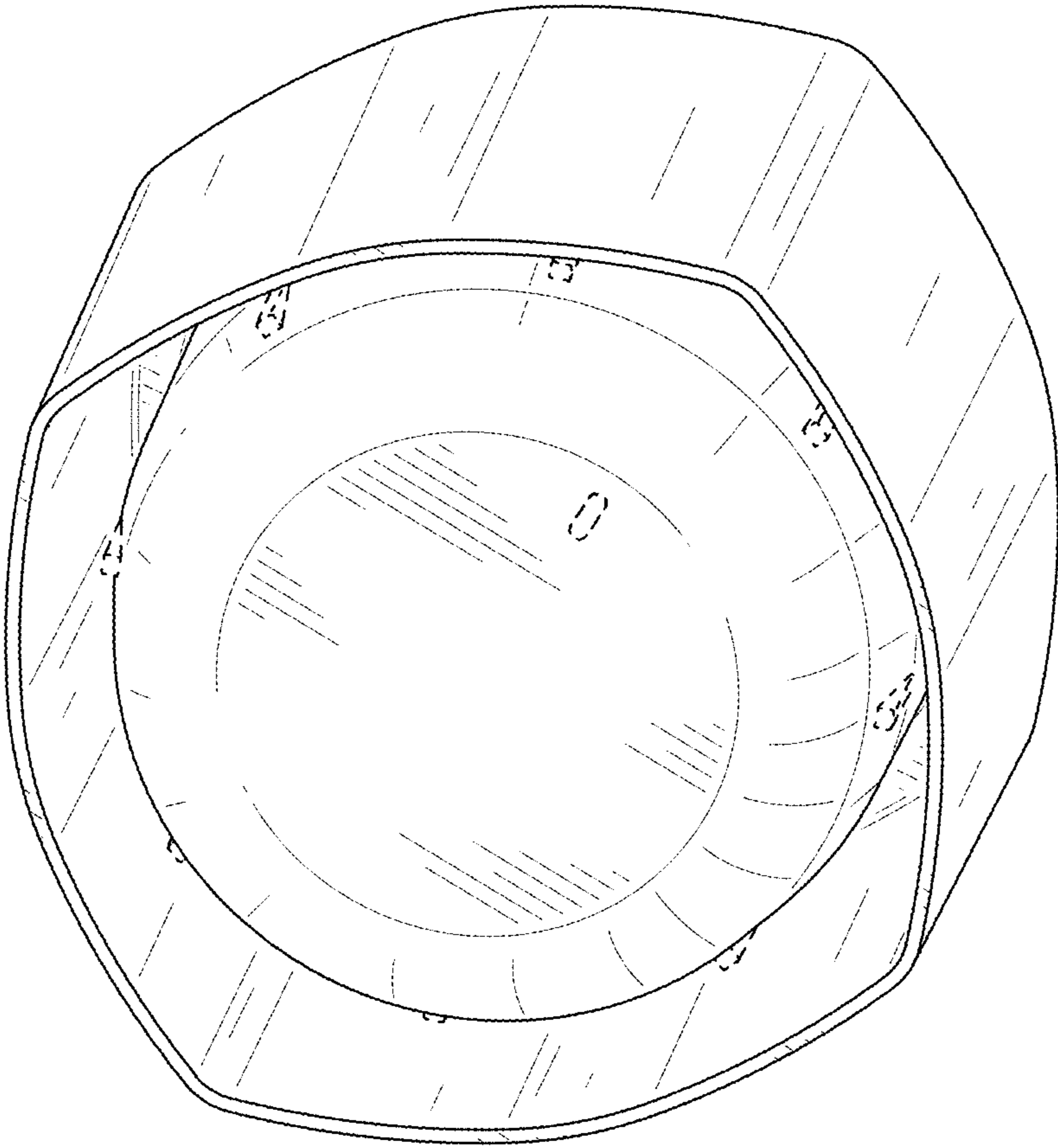


FIG. 3

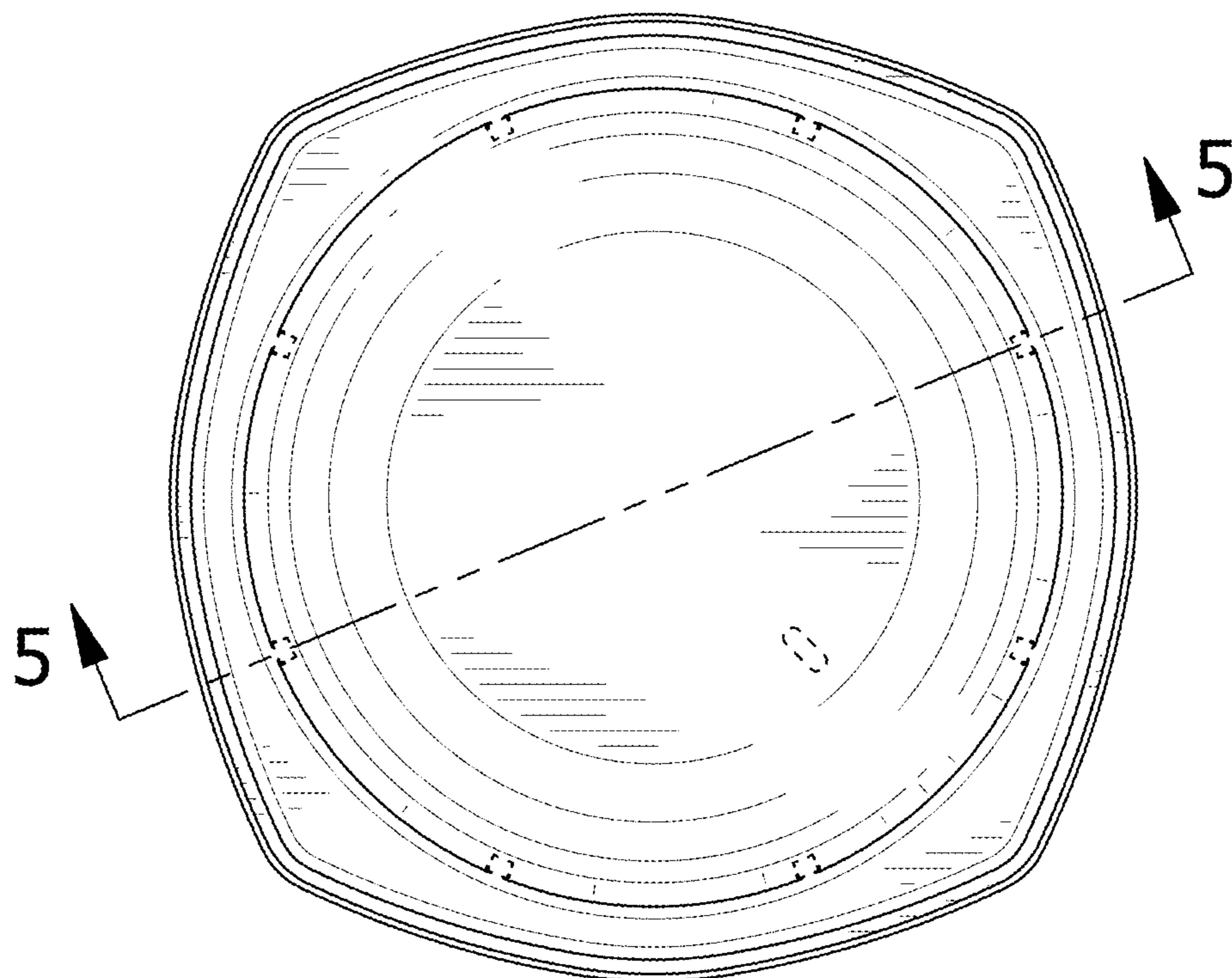


FIG. 4

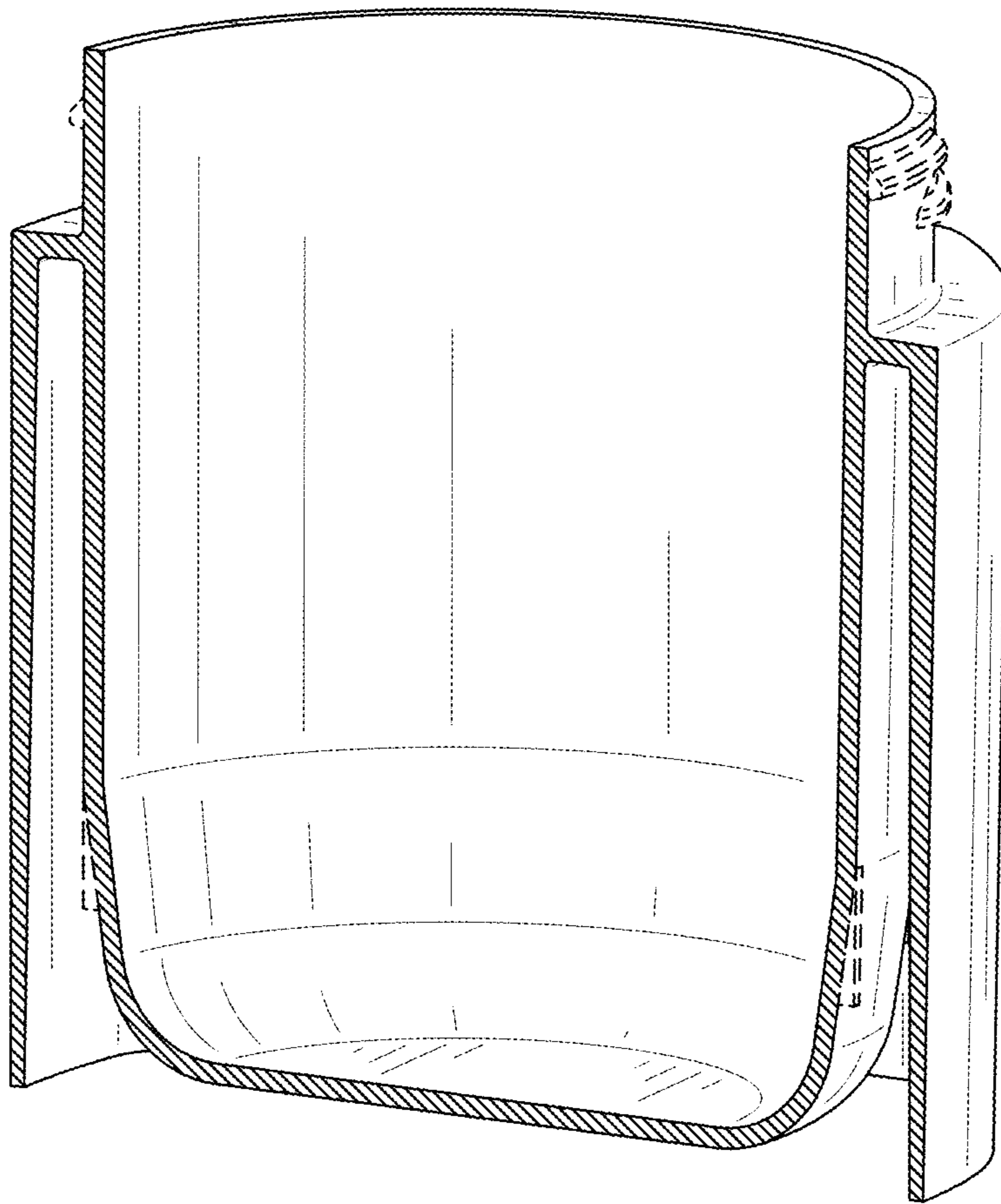


FIG. 5

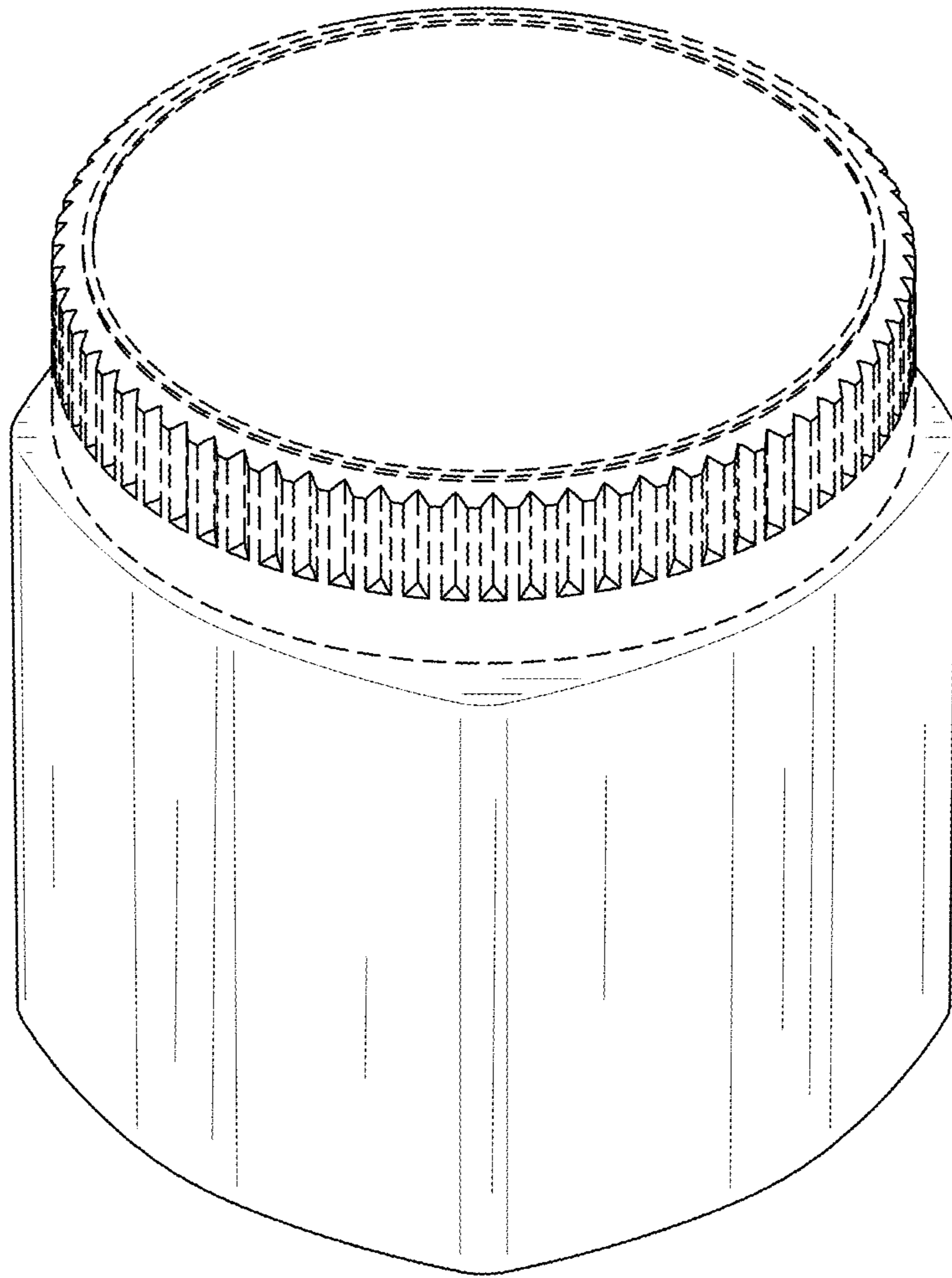


FIG. 6

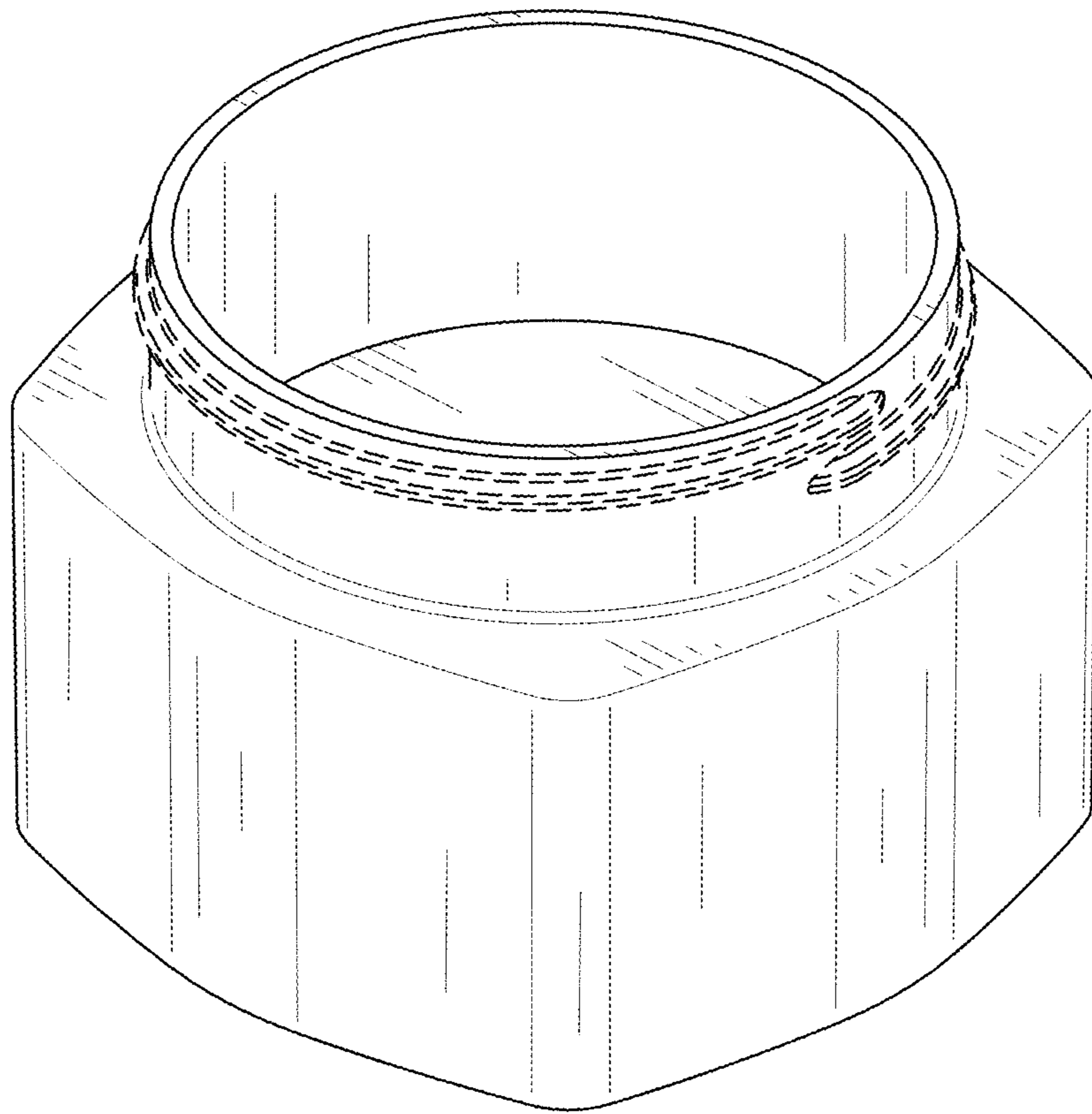


FIG. 7

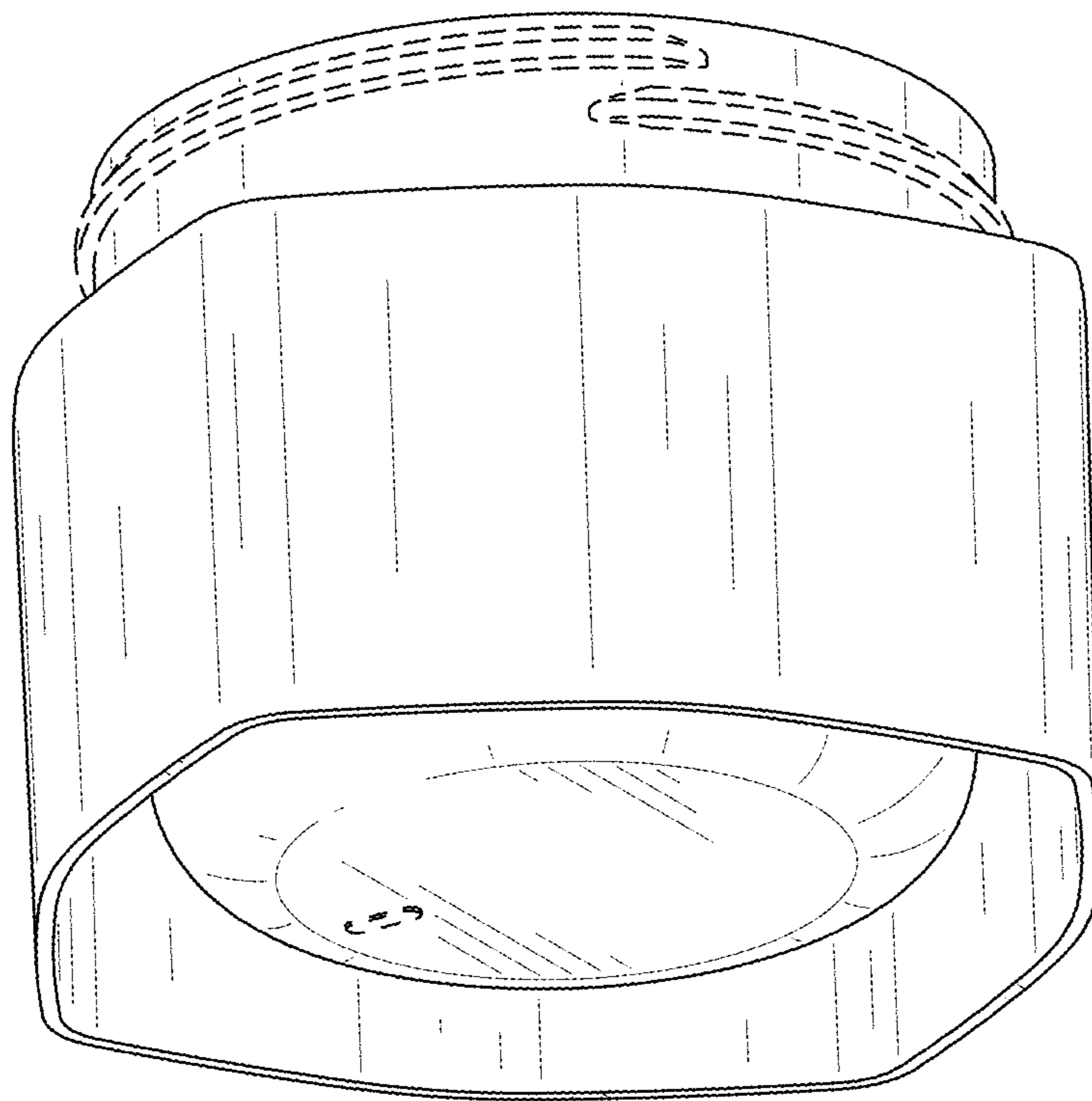


FIG. 8

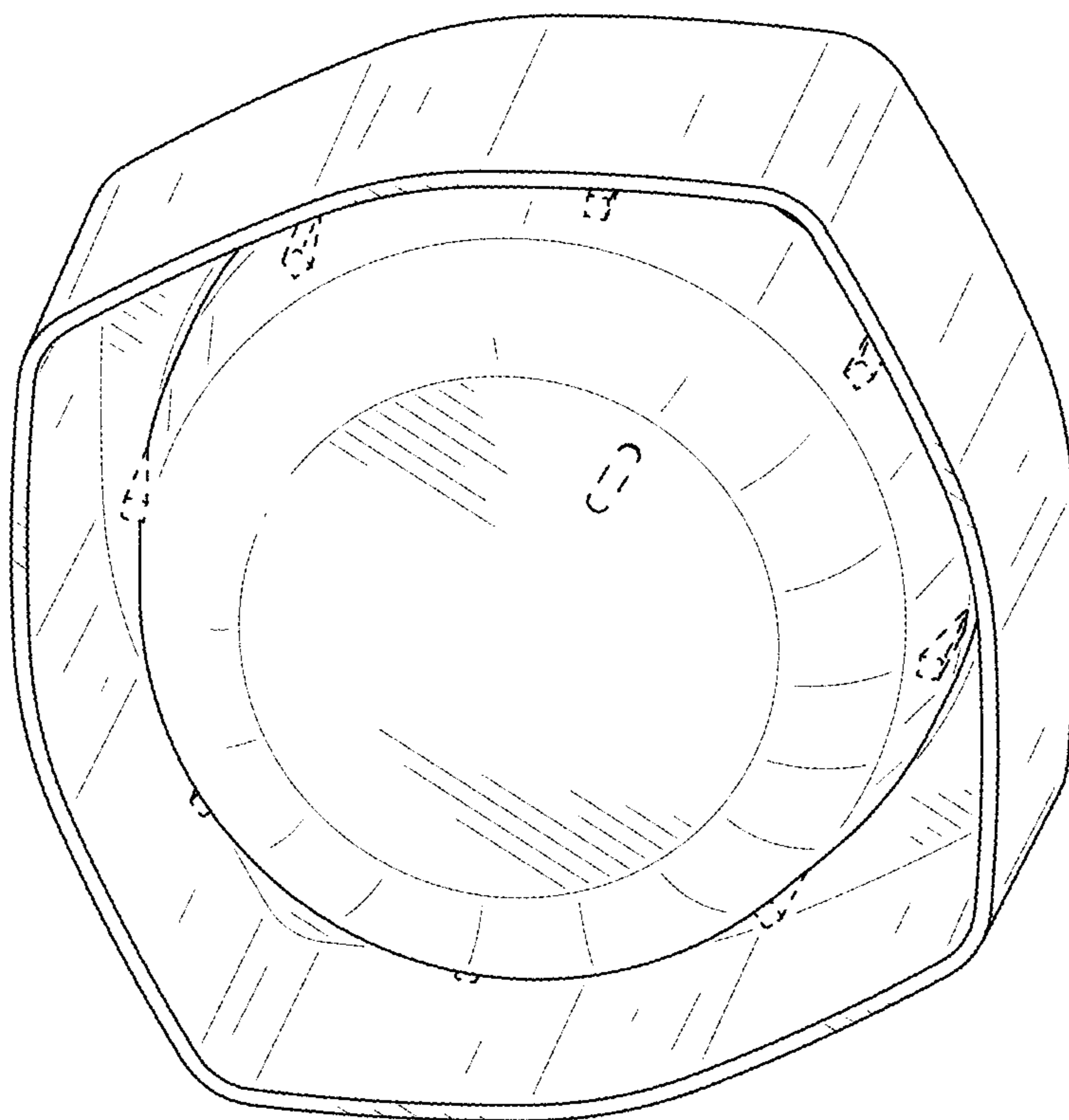


FIG. 9

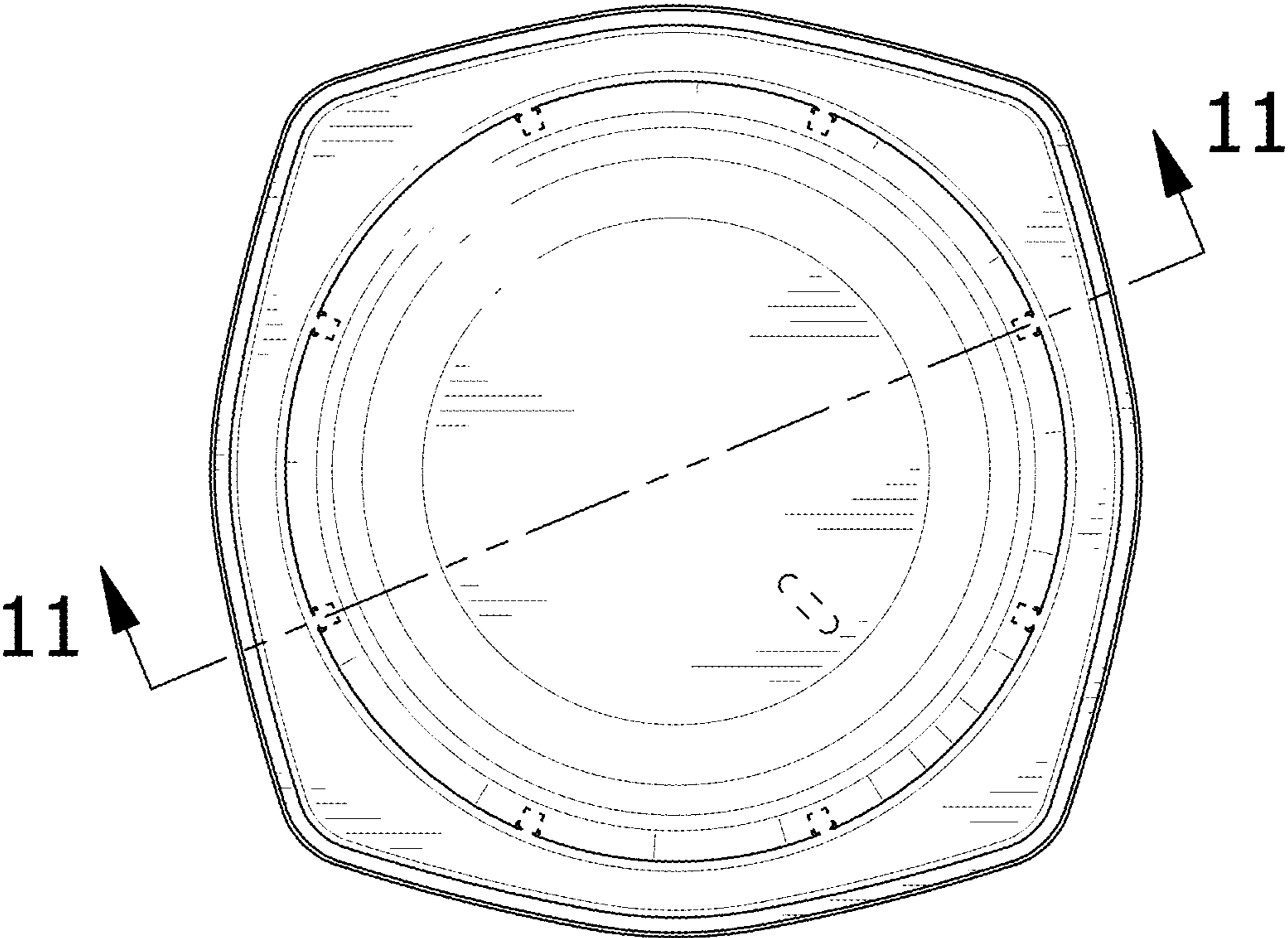


FIG. 10

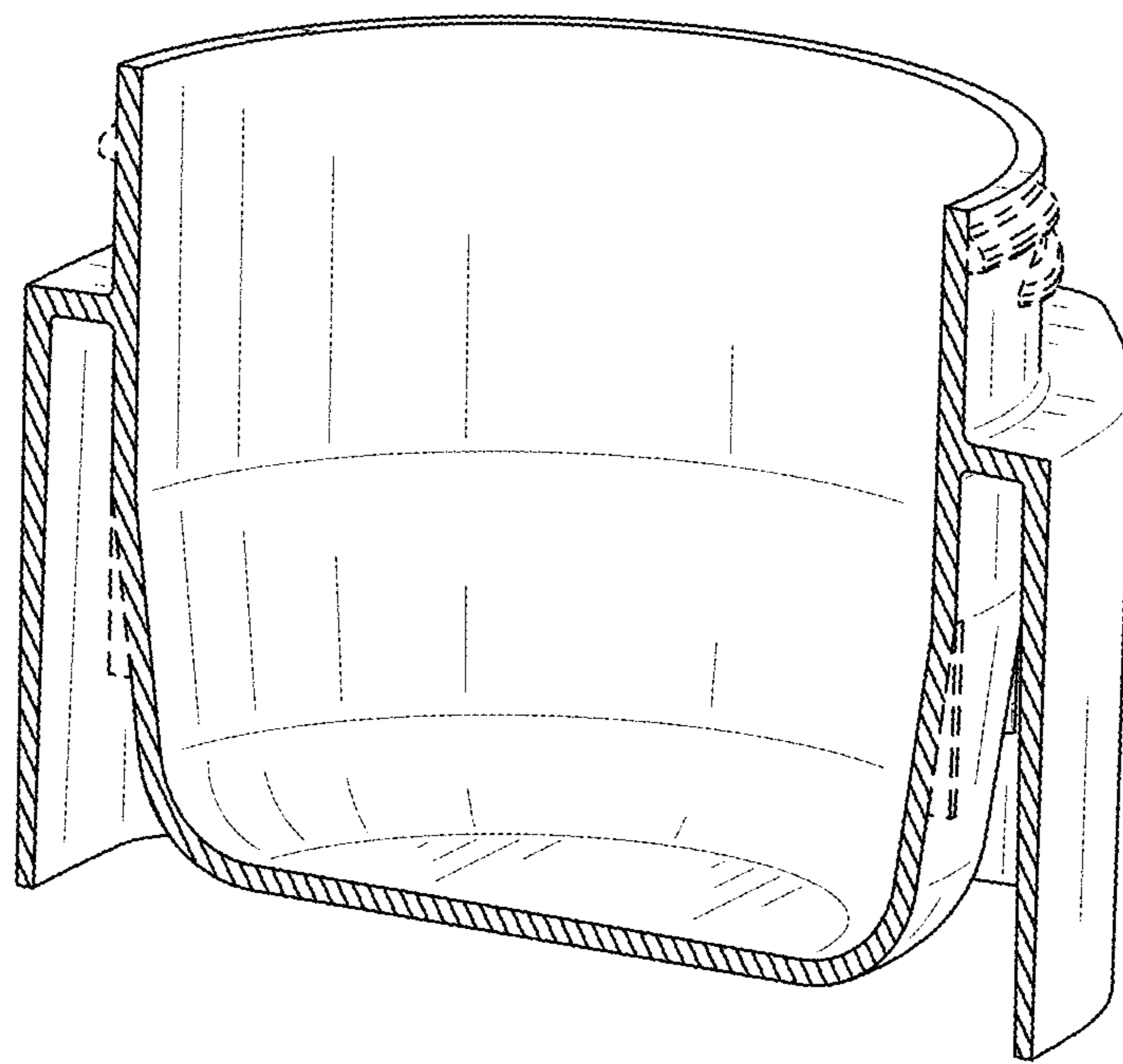


FIG. 11

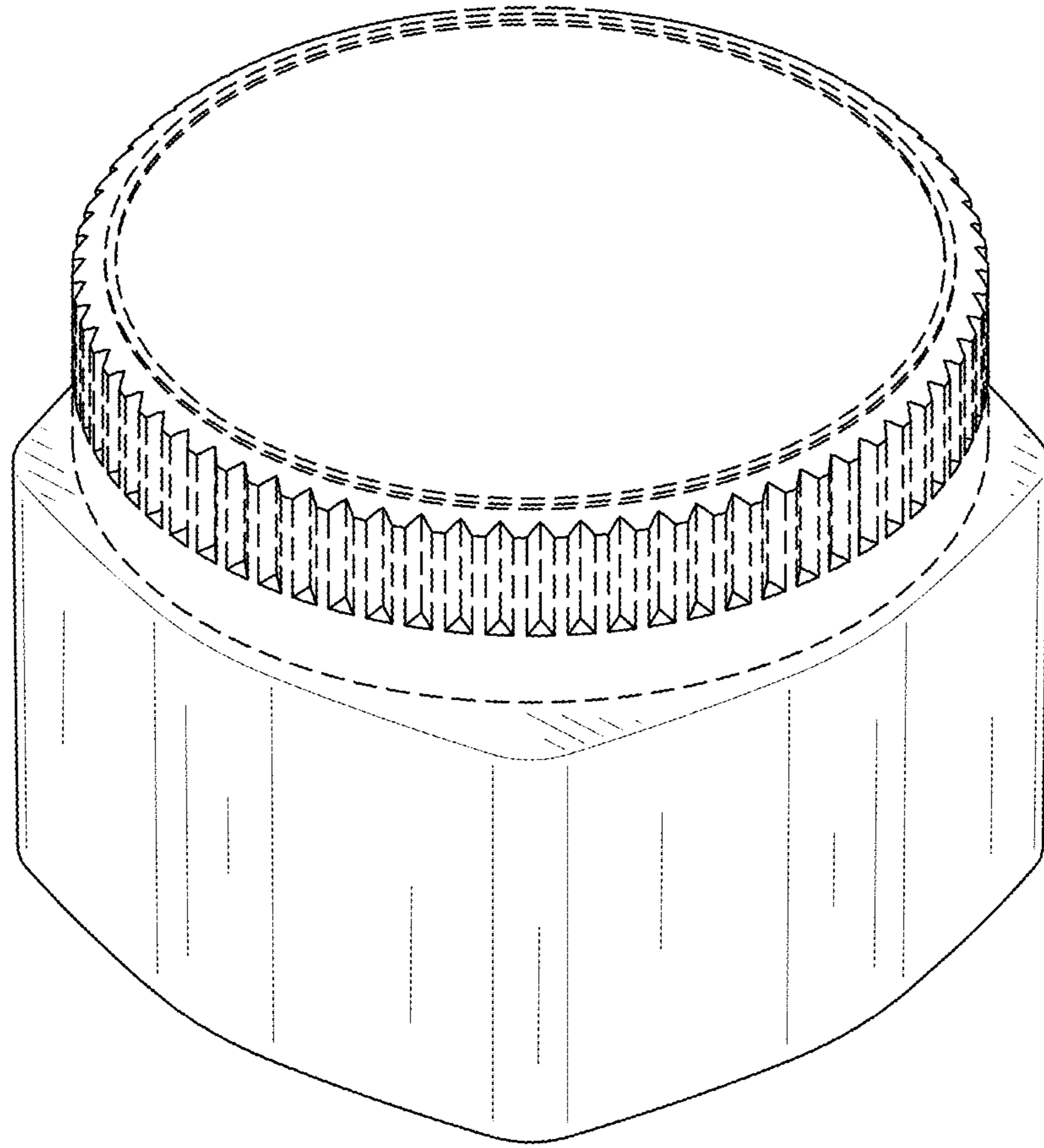


FIG. 12