



US00D902042S

(12) **United States Design Patent** (10) **Patent No.:** **US D902,042 S**
Bore (45) **Date of Patent:** **** Nov. 17, 2020**

- (54) **BOTTLE**
- (71) Applicant: **Henkel AG & Co. KGaA**, Duesseldorf (DE)
- (72) Inventor: **Olivier Bore**, Parmain (FR)
- (73) Assignee: **Henkel AG & Co. KGaA** (DE)
- (**) Term: **15 Years**
- (21) Appl. No.: **29/675,577**
- (22) Filed: **Jan. 3, 2019**

Related U.S. Application Data

- (62) Division of application No. 29/527,575, filed on May 20, 2015, now Pat. No. Des. 840,824.

(30) **Foreign Application Priority Data**

Nov. 27, 2014 (EM) 002586933

- (51) **LOC (12) Cl.** **09-01**

- (52) **U.S. Cl.**
USPC **D9/544; D9/543**

- (58) **Field of Classification Search**
USPC D9/516, 539, 543, 544, 575, 715, 719;
D7/510-513
CPC B65D 1/0223; B65D 2501/0081; B65D
47/128

See application file for complete search history.

(56) **References Cited**

U.S. PATENT DOCUMENTS

D217,227 S	4/1970	Christiansen
D277,551 S	2/1985	Kerr
D308,631 S	6/1990	Burns et al.
D340,217 S	10/1993	Delage et al.
D353,097 S	12/1994	Weiss

D373,086 S	8/1996	Hirato	
D387,668 S	12/1997	Bond	
D398,853 S	9/1998	Phillips	
D418,425 S	1/2000	Gobe	
D419,057 S	1/2000	Gobe	
D444,387 S	7/2001	Adachi et al.	
D476,900 S *	7/2003	Katz	D9/545
D481,954 S	11/2003	Potts et al.	
D489,993 S *	5/2004	Wilkes	B65D 1/0223 D9/542
D491,470 S	6/2004	Yang	
D566,565 S *	4/2008	Rittman	D9/452
D576,495 S	9/2008	Slubski	
D598,777 S *	8/2009	Belke	D9/544
D606,412 S *	12/2009	Schwartz	D9/530
D615,410 S *	5/2010	Lett	D9/435
D651,516 S	1/2012	Schaeffer	
D663,623 S *	7/2012	Slubski	D9/537
D714,647 S	10/2014	Kersten	
D721,970 S *	2/2015	Snyder	D9/522

(Continued)

Primary Examiner — Shannon W Morgan

Assistant Examiner — Keith Frank

(74) *Attorney, Agent, or Firm* — James J. Cummings

(57) **CLAIM**

The ornamental design for a bottle, as shown and described.

DESCRIPTION

FIG. 1 is a front perspective view of a bottle showing my new design;

FIG. 2 is a front side elevation view thereof;

FIG. 3 is a rear side elevation view thereof;

FIG. 4 is a left side elevation view thereof;

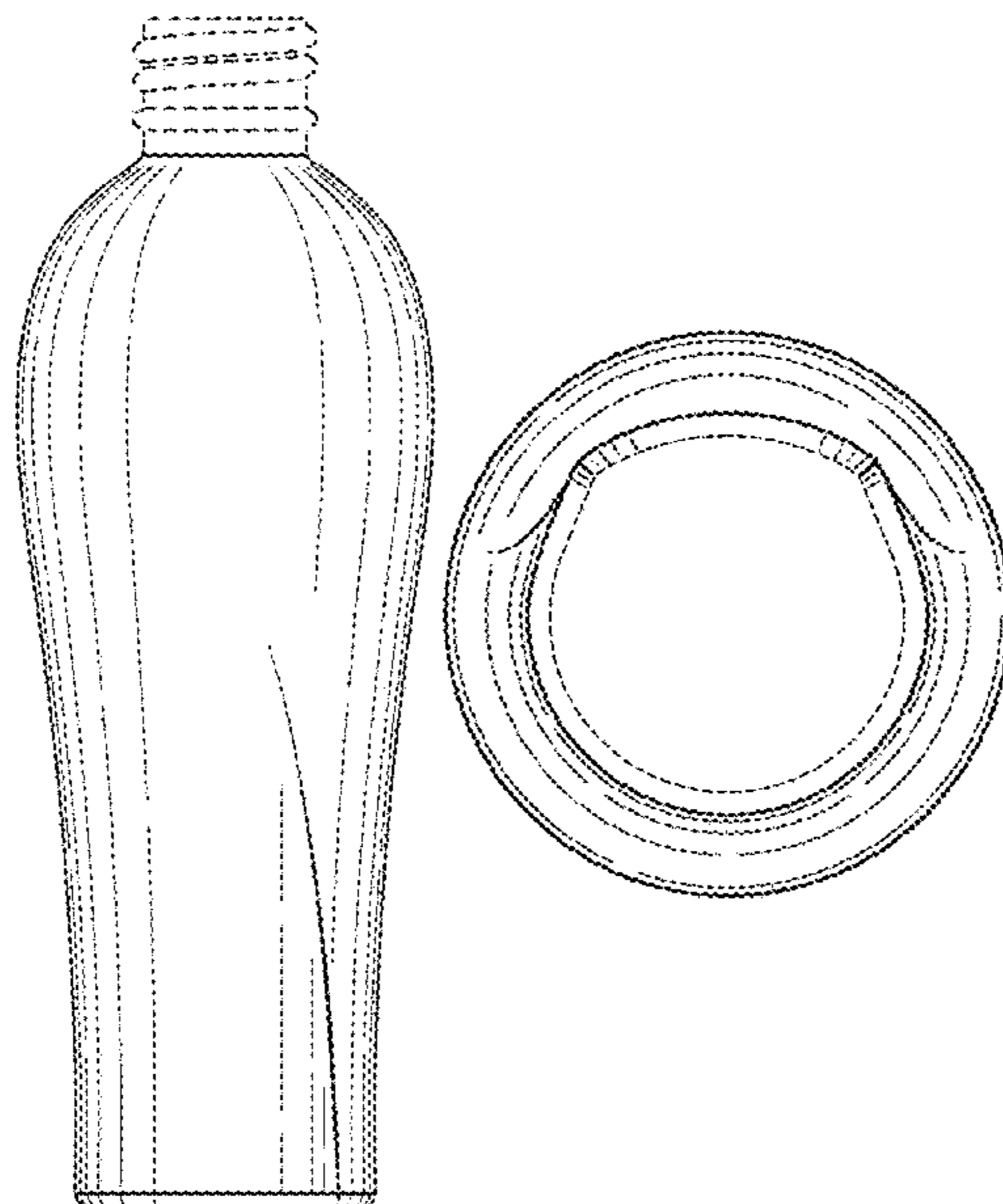
FIG. 5 is a right side elevation view thereof;

FIG. 6 is a top plan view thereof; and,

FIG. 7 is a bottom plan view thereof.

The broken lines in the drawings showing the bottle illustrate the portions of the bottle that form no part of the claimed design.

1 Claim, 6 Drawing Sheets



(56)

References Cited

U.S. PATENT DOCUMENTS

D746,694 S *	1/2016	Letamendi	D9/544
D766,092 S	9/2016	Maillet et al.	
D777,518 S	1/2017	Frazier	
D780,586 S *	3/2017	Ginders	D9/544
D833,283 S *	11/2018	Rock	D9/522
D838,600 S *	1/2019	Corrigan	D9/561
2009/0134111 A1 *	5/2009	Schroeder	B65D 5/4212 215/10

* cited by examiner

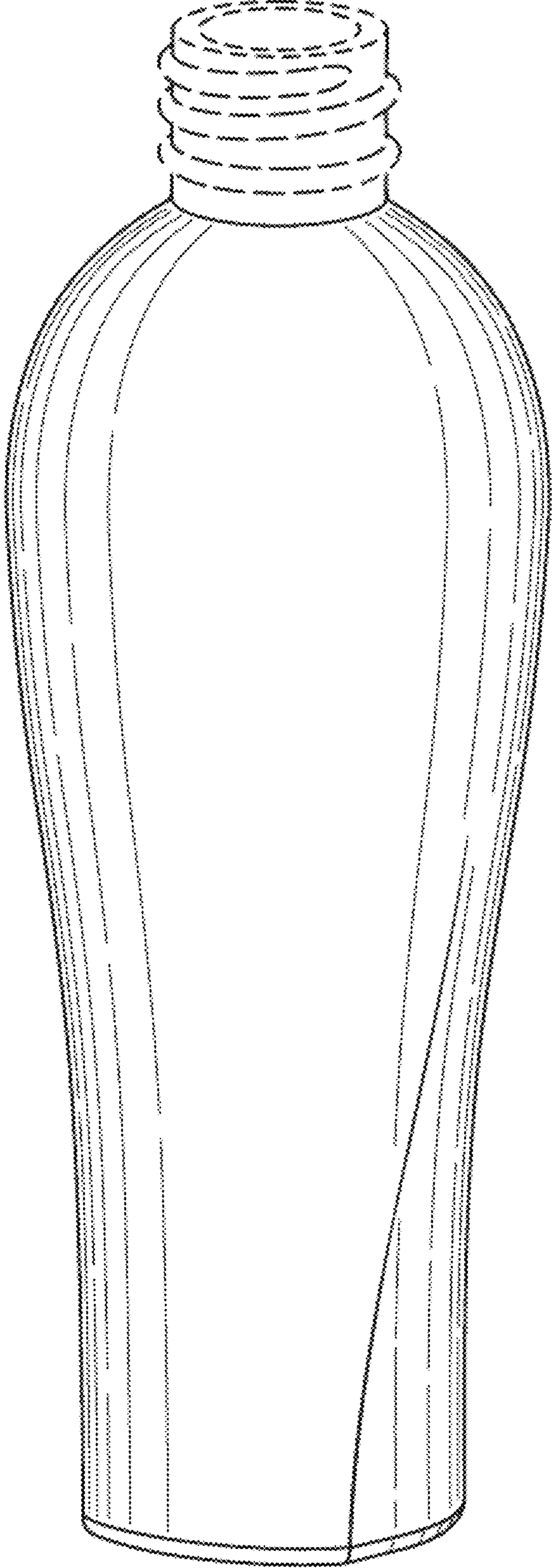


FIG. 1

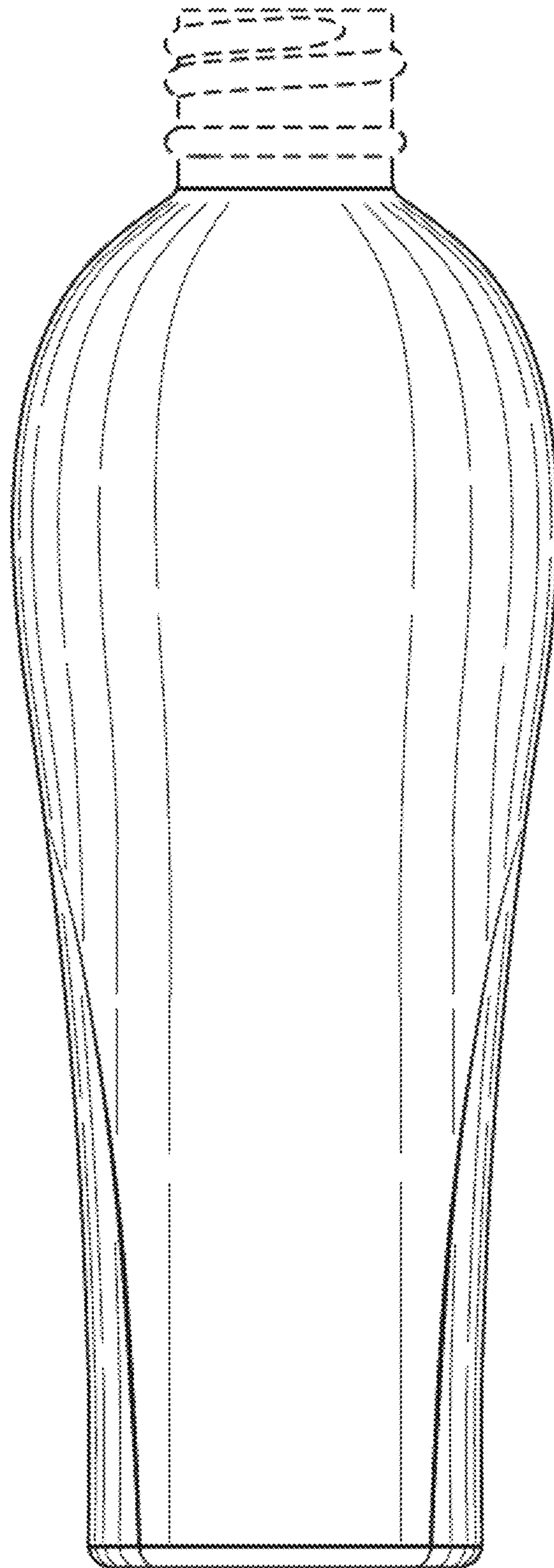


FIG. 2

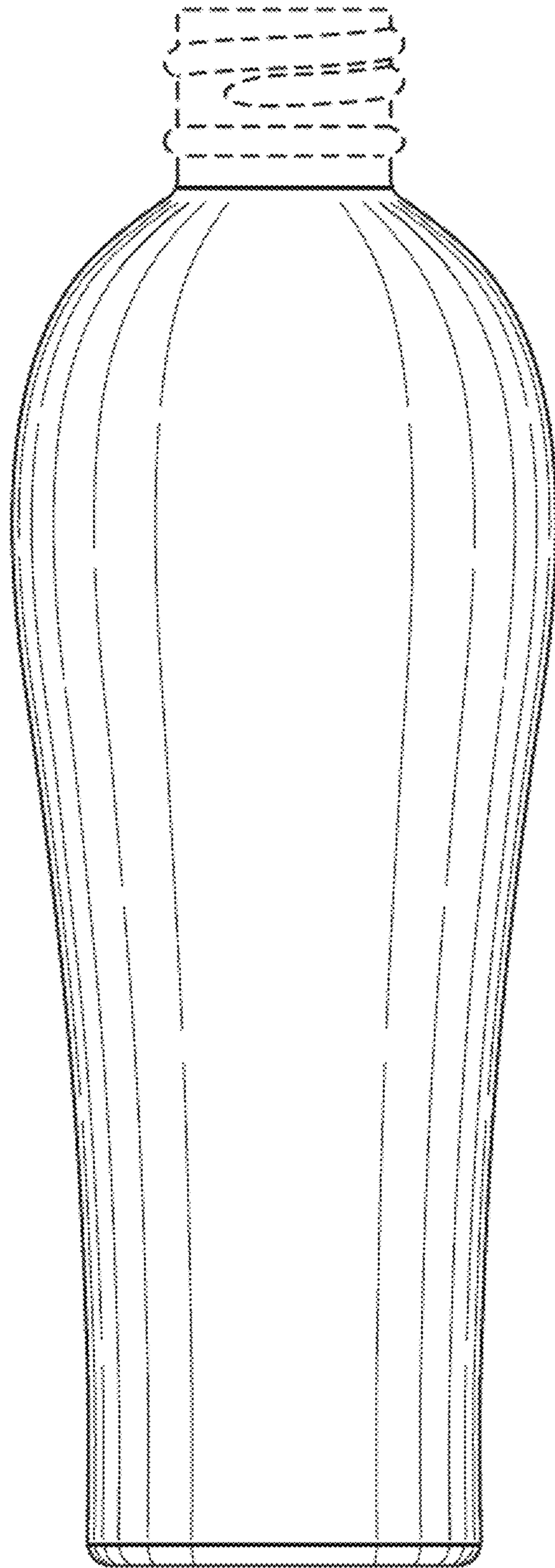


FIG. 3

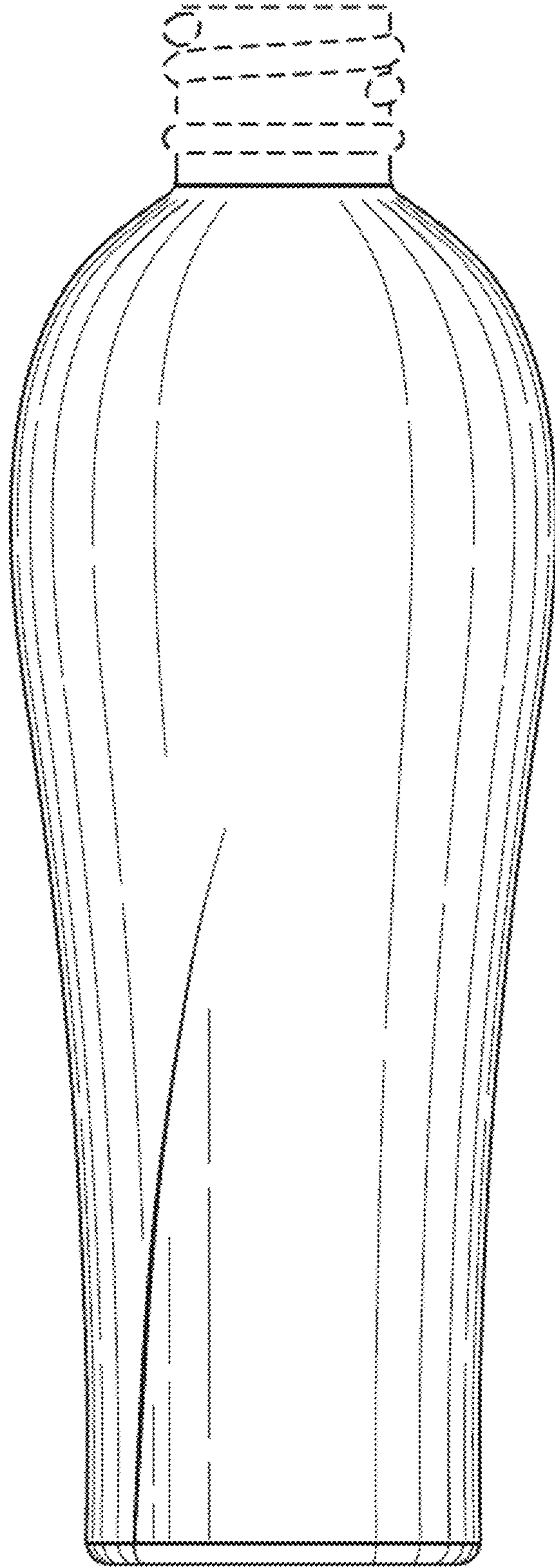


FIG. 4

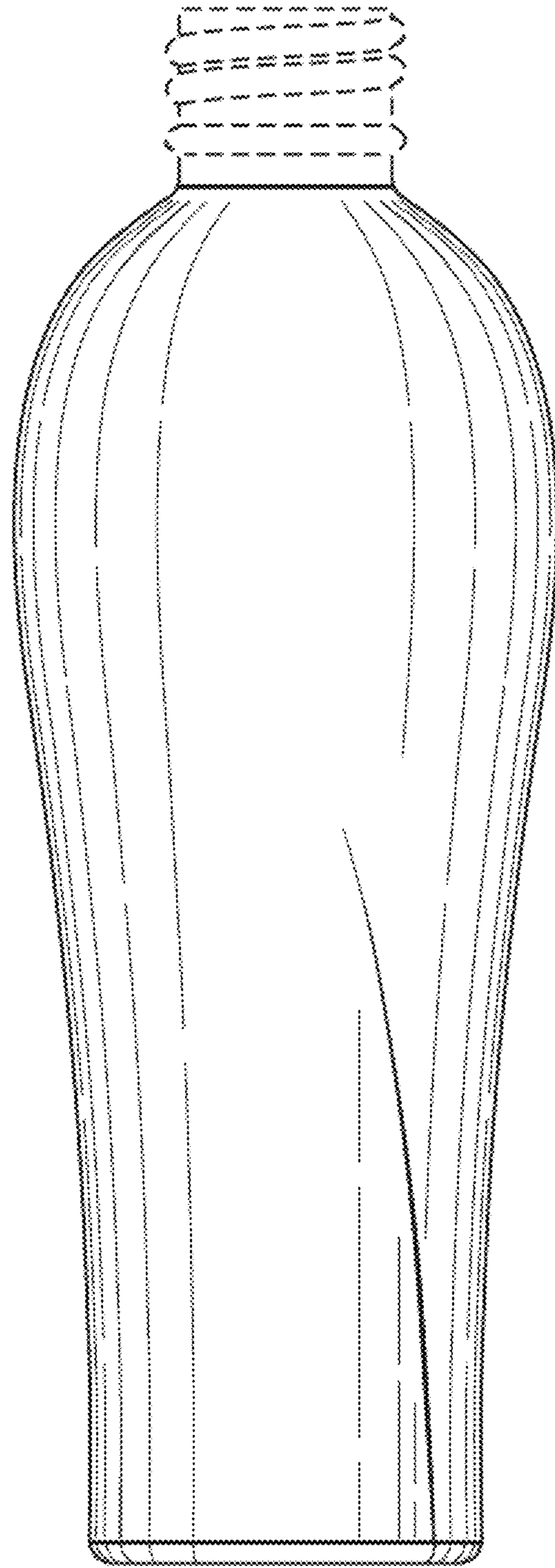


FIG. 5

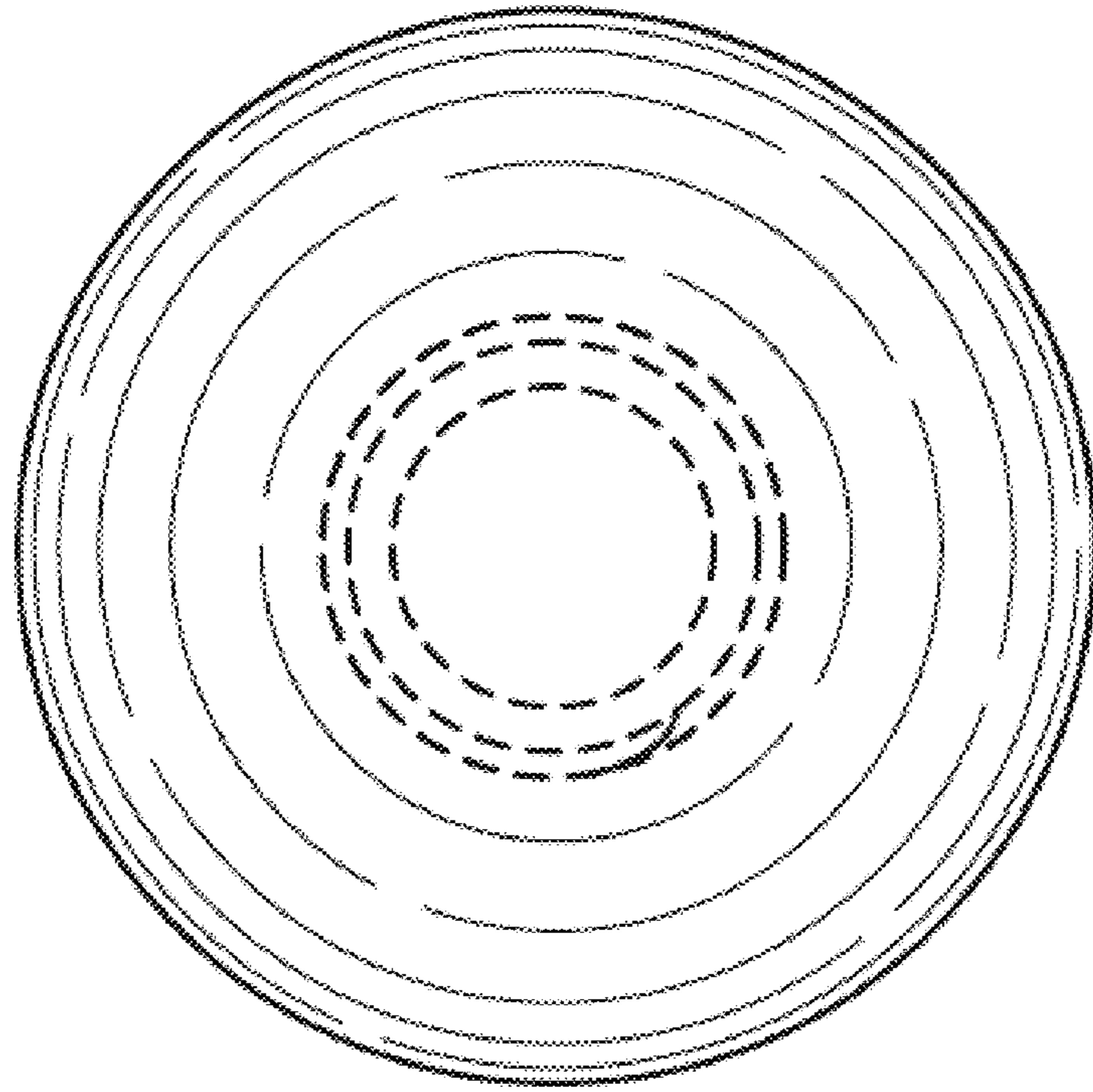


FIG. 6

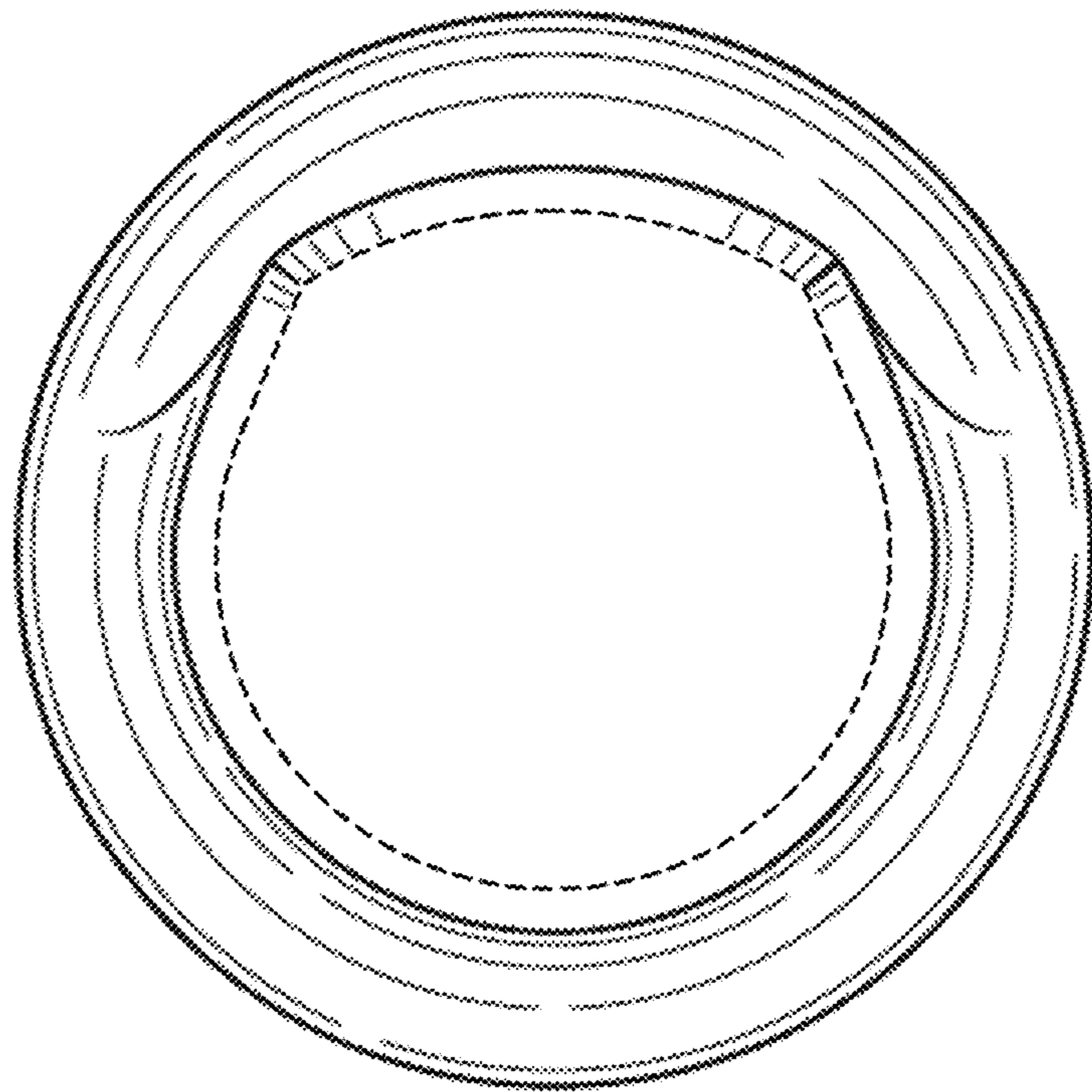


FIG. 7