

US00D902037S

(12) **United States Design Patent**  
**Woodruff**

(10) **Patent No.:** **US D902,037 S**

(45) **Date of Patent:** **\*\* Nov. 17, 2020**

(54) **CONTAINER**

(71) Applicant: **Lamplight Farms Incorporated,**  
Menomonee Falls, WI (US)

(72) Inventor: **Robert Woodruff,** Oconomowoc, WI  
(US)

(73) Assignee: **Lamplight Farms Incorporated,**  
Menomonee Falls, WI (US)

(\*\*) Term: **15 Years**

(21) Appl. No.: **29/631,399**

(22) Filed: **Dec. 29, 2017**

(51) **LOC (12) Cl.** ..... **09-01**

(52) **U.S. Cl.**

USPC ..... **D9/500; D9/772**

(58) **Field of Classification Search**

USPC ..... D9/417, 434, 500, 503, 516, 549, 558,  
D9/562, 715, 719, 763-764, 772,  
D9/779-780; D23/211.1, 341, 390;  
D26/8, 114, 116

CPC ..... B65D 1/00; B65D 1/02; B65D 1/0223;  
B65D 23/00; B65D 81/00; B65D  
2501/00; B65D 2501/0009; F23D 3/04;  
F23D 3/18; F23D 3/22; F23D 3/24; F23D  
3/26

See application file for complete search history.

(56) **References Cited**

**U.S. PATENT DOCUMENTS**

243,134 A \* 6/1881 Hinrichs et al. .... F23D 3/18  
431/321  
D35,069 S \* 9/1901 Lorenz ..... D9/772  
D224,646 S \* 8/1972 Vollquartz ..... D9/549

3,811,817 A \* 5/1974 Mansnerus ..... F21V 37/00  
431/126  
D445,689 S \* 7/2001 McCutchan ..... D9/414  
D491,066 S \* 6/2004 Le Goff ..... D9/500  
D542,659 S \* 5/2007 Meether ..... D23/211.1  
D585,753 S \* 2/2009 Boukobza ..... B65D 23/102  
D9/552  
D630,946 S \* 1/2011 Crawford ..... D9/516  
D631,758 S \* 2/2011 Alvares ..... D9/772  
D676,764 S \* 2/2013 Moore ..... B65D 7/04  
D9/500  
D744,861 S \* 12/2015 Fortner ..... D9/772  
D750,290 S \* 2/2016 Potter ..... D26/8  
D840,534 S \* 2/2019 Mozzicato ..... D24/121  
10,197,268 B2 \* 2/2019 Hansen ..... F23D 3/26  
D845,718 S \* 4/2019 Vargo ..... D7/608  
10,371,379 B2 \* 8/2019 Woodruff ..... F23D 3/26

\* cited by examiner

*Primary Examiner* — Dana Meyrow

(74) *Attorney, Agent, or Firm* — David G. Woodral;  
GableGotwals

(57) **CLAIM**

The ornamental design for a container, as shown and described herein.

**DESCRIPTION**

FIG. 1 is a front perspective view of the new design of the present disclosure.

FIG. 2 is front elevational view thereof.

FIG. 3 is a rear elevational view thereof.

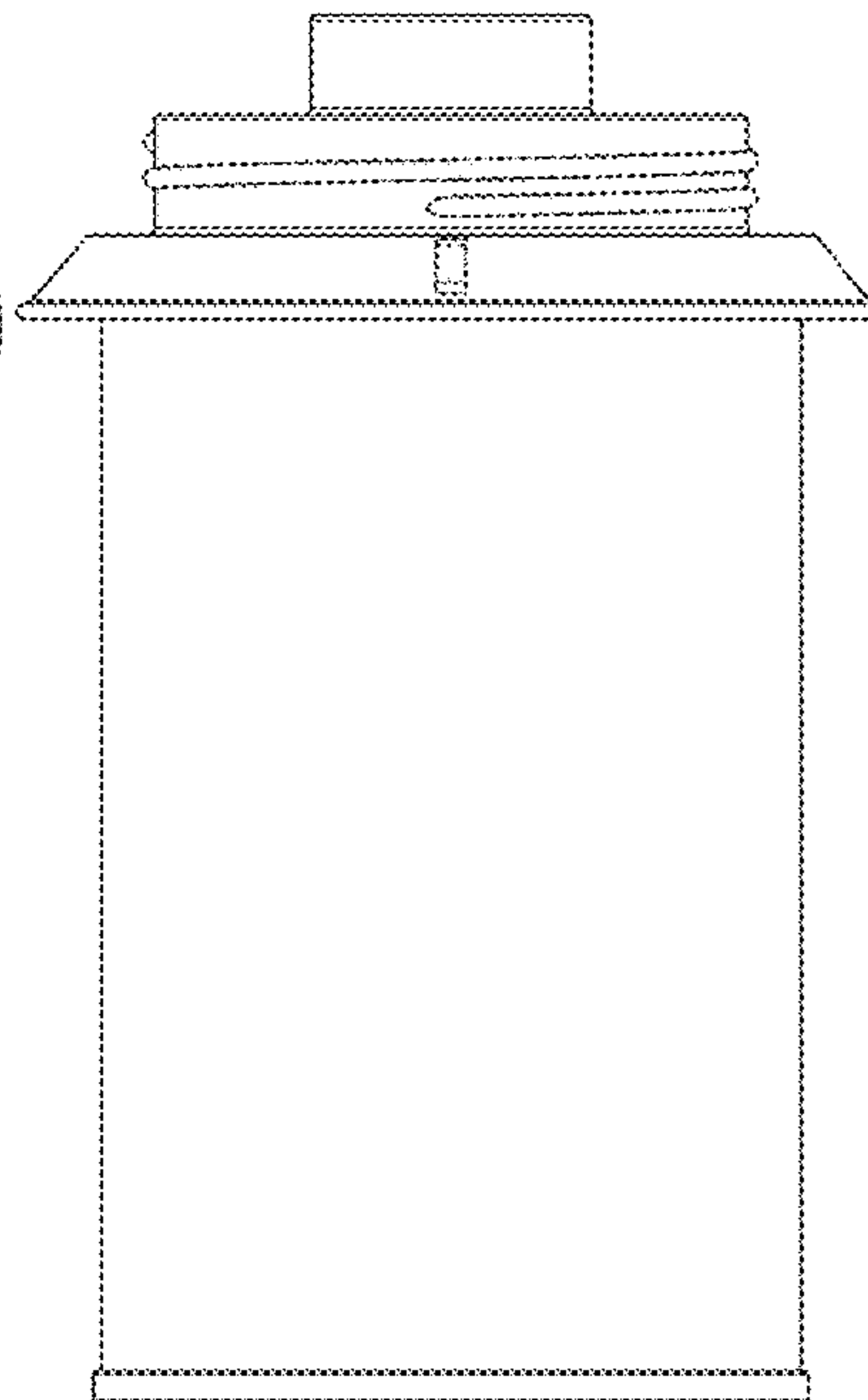
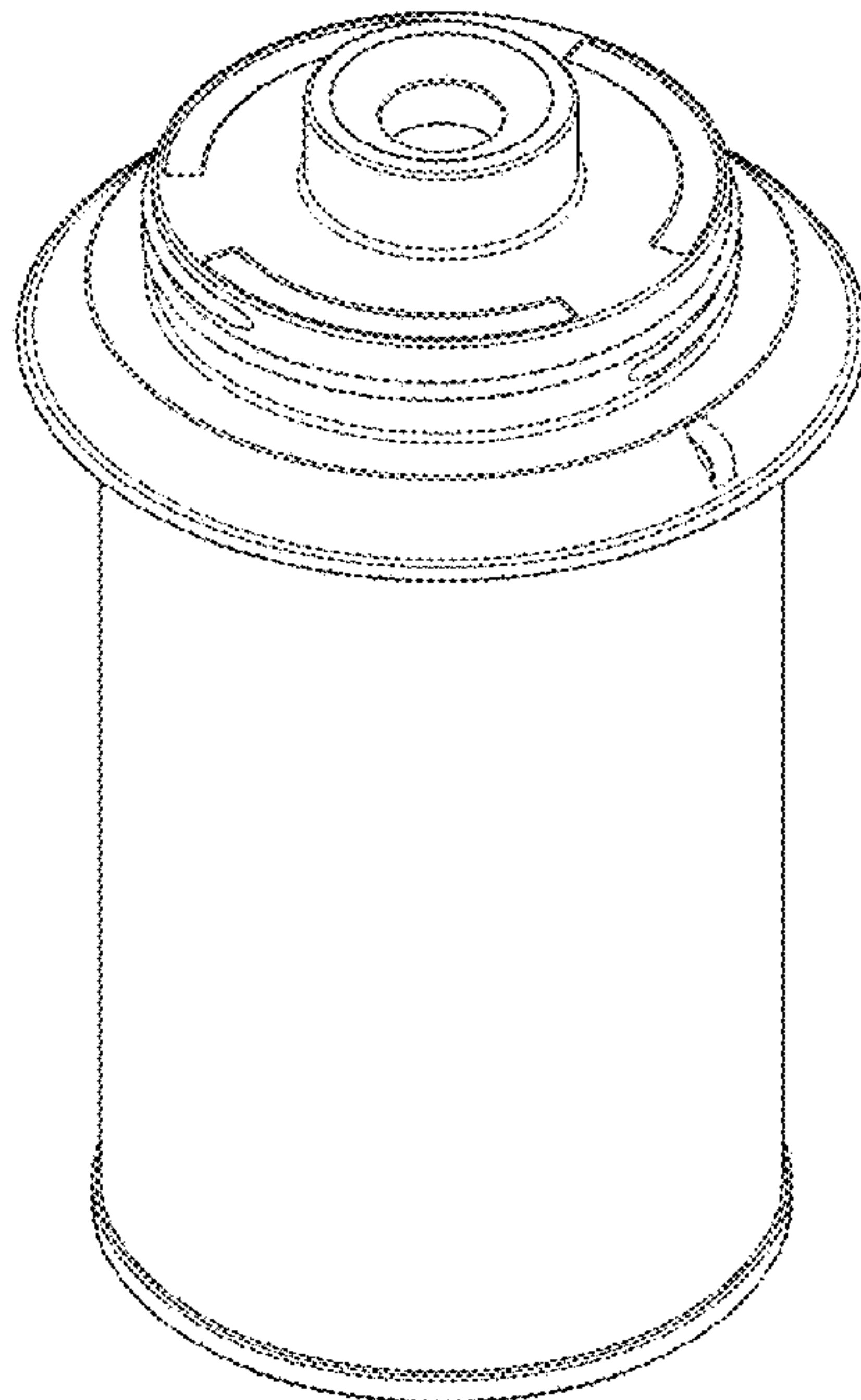
FIG. 4 is a right elevational view thereof.

FIG. 5 is a left elevational view thereof; and,

FIG. 6 is a top plan view thereof.

The broken lines in the figures depict portions of the container that form no part of the claimed design.

**1 Claim, 6 Drawing Sheets**



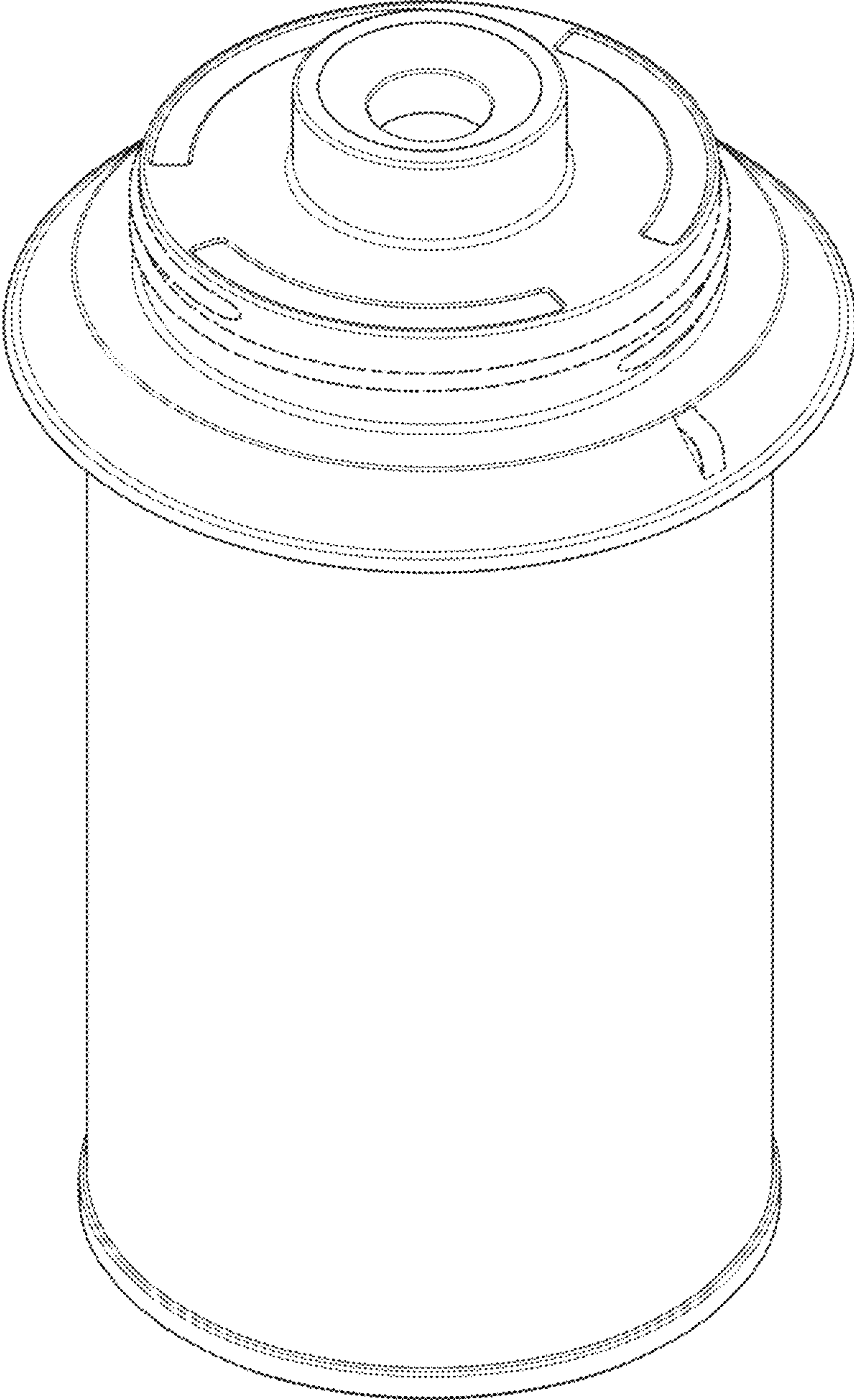


FIG. 1

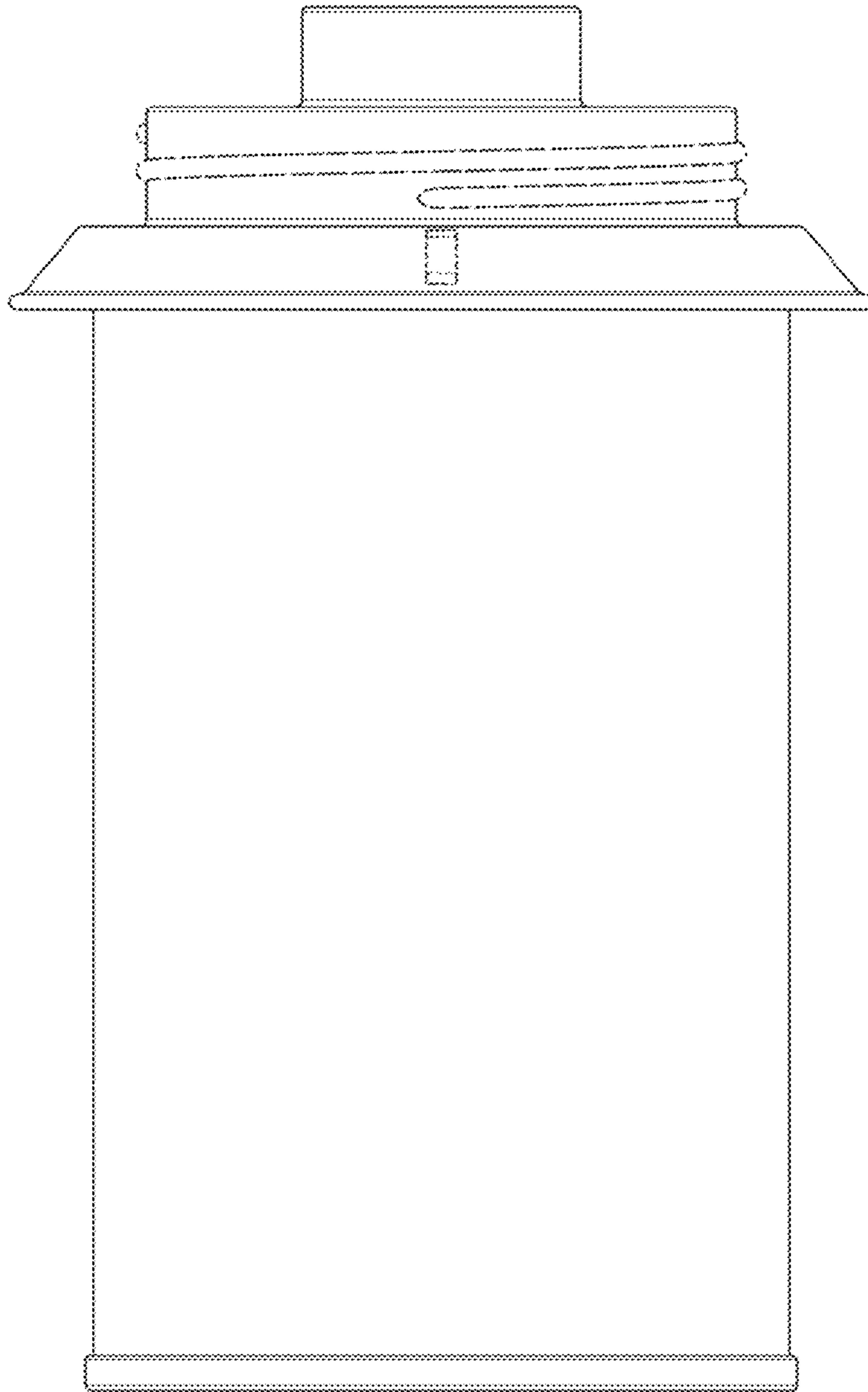


FIG. 2

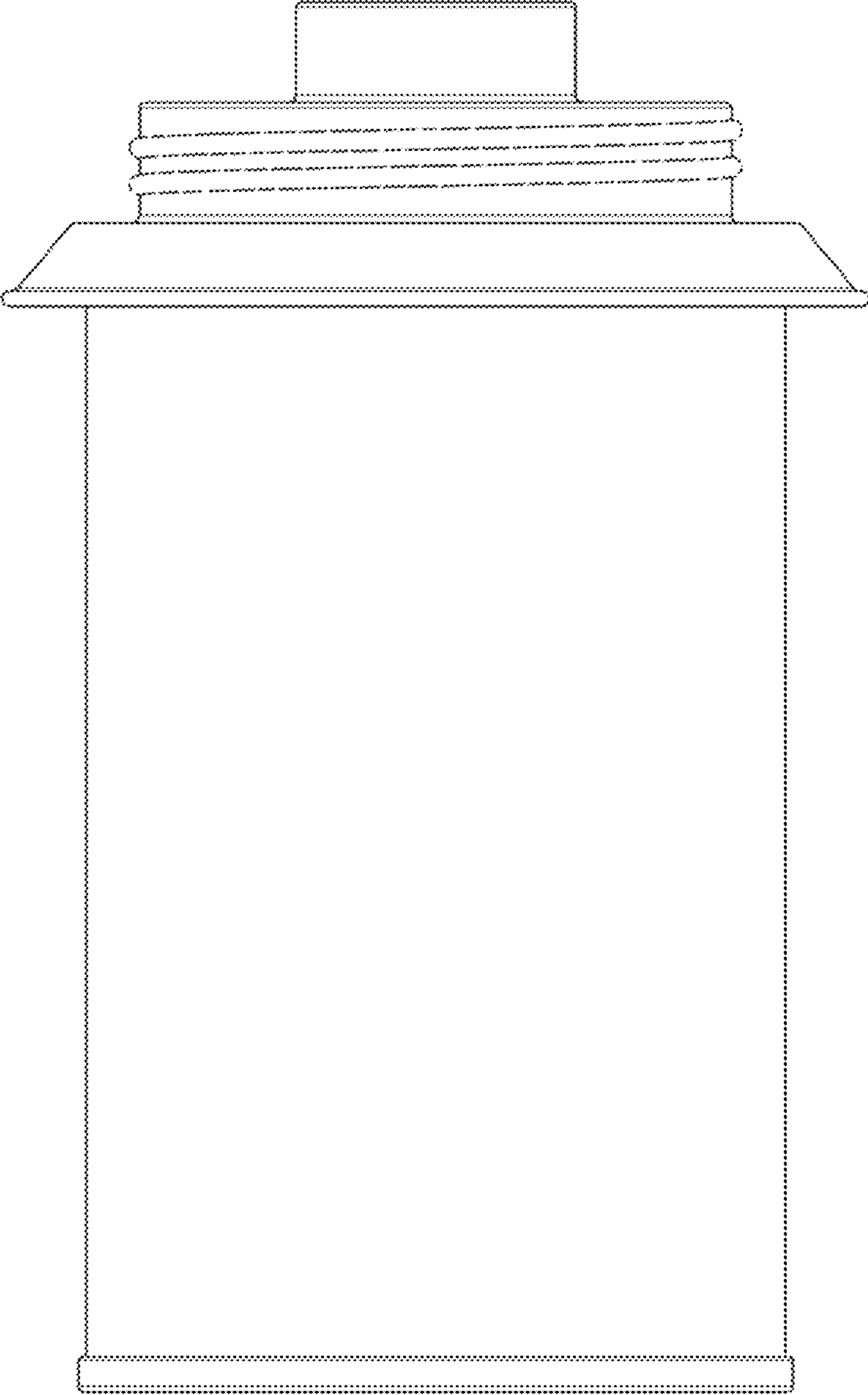


FIG. 3

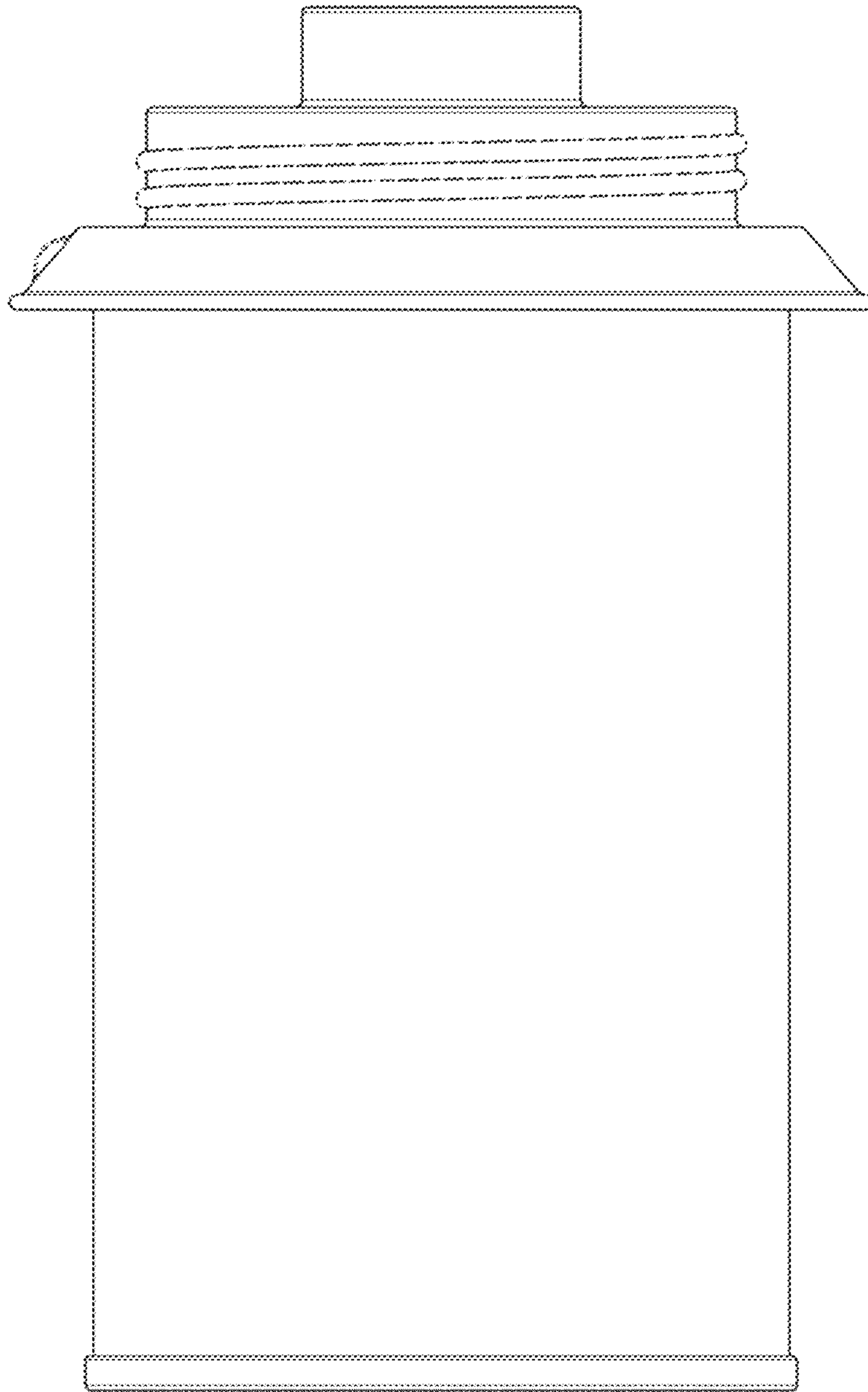


FIG. 4

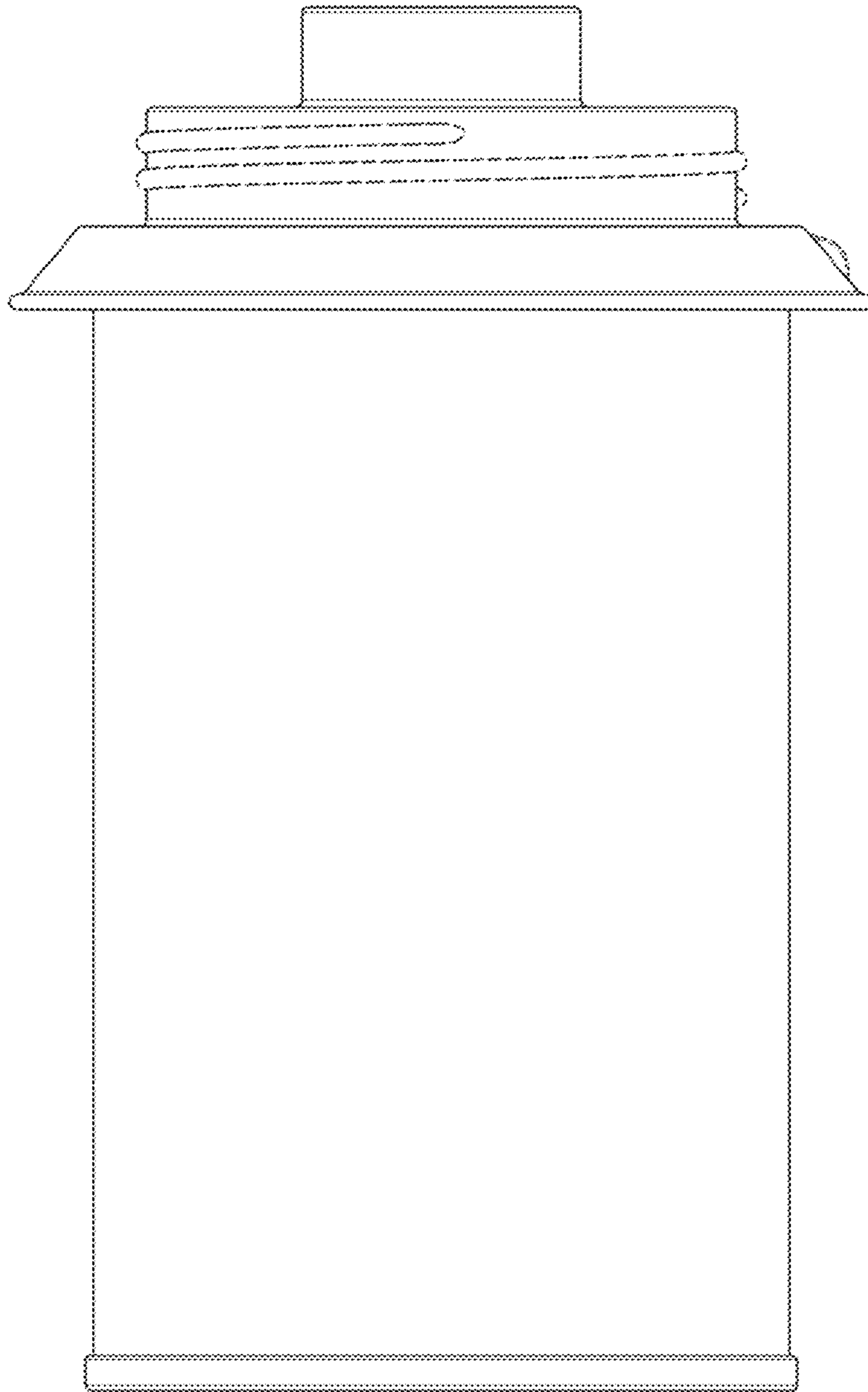


FIG. 5



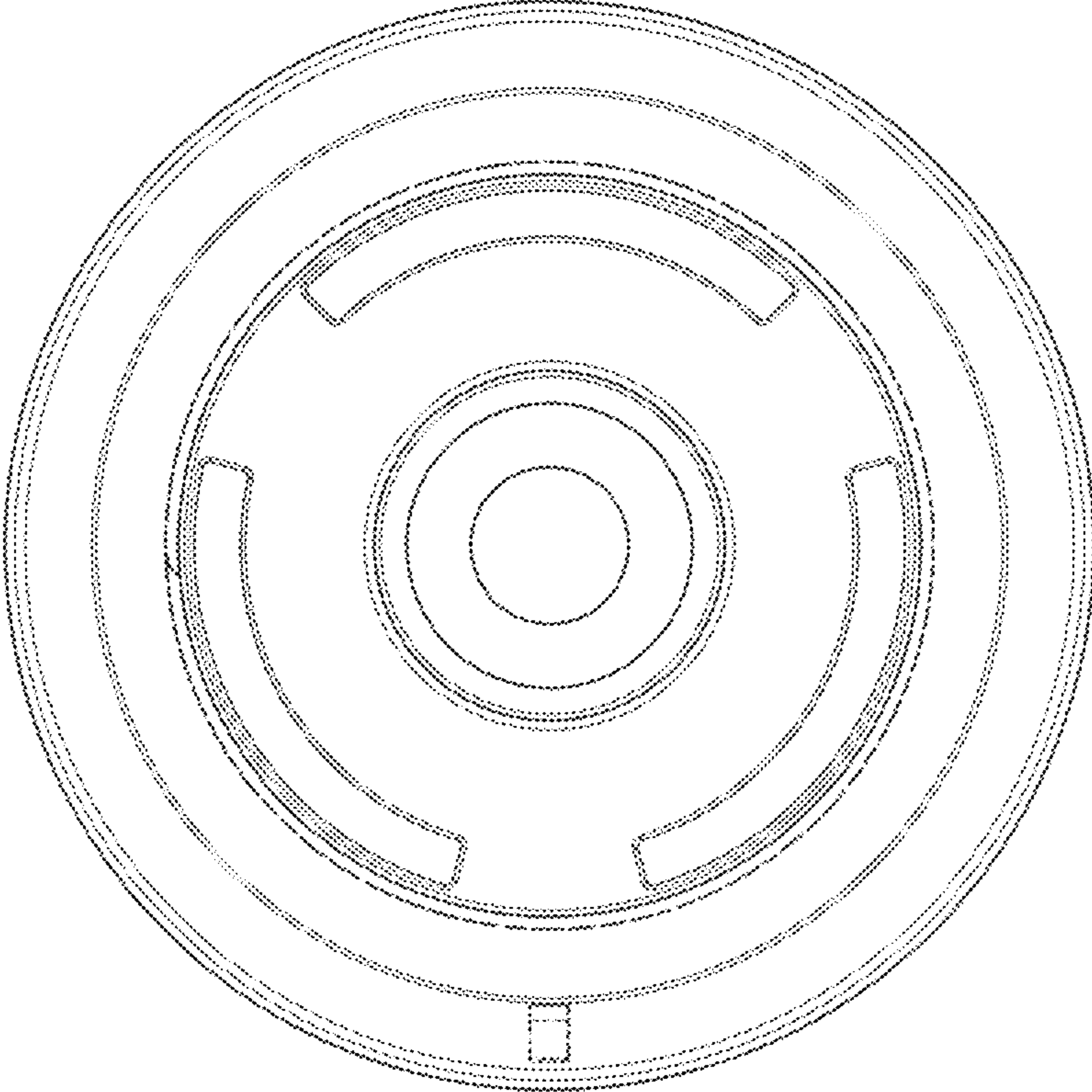


FIG. 6