



US00D902034S

(12) **United States Design Patent**
Aydin et al.

(10) **Patent No.:** **US D902,034 S**
(45) **Date of Patent:** **** Nov. 17, 2020**

(54) **CAP FOR BOTTLE**

(71) Applicant: **Yeditepe Üniversitesi**, Istanbul (TR)

(72) Inventors: **Ahmet Aydin**, Istanbul (TR); **Ali Bahadir Olcay**, Istanbul (TR); **Osman Ergin**, Istanbul (TR); **Esra Özbaş**, Istanbul (TR); **Ebru Özçelik**, Istanbul (TR)

(73) Assignee: **YEDITEPE UNIVERSITESI**, Istanbul (TR)

(**) Term: **15 Years**

(21) Appl. No.: **29/686,445**

(22) Filed: **Apr. 4, 2019**

(30) **Foreign Application Priority Data**

Oct. 4, 2018 (TR) 2018/05810

(51) **LOC (12) Cl.** **09-01**

(52) **U.S. Cl.**
USPC **D9/445**

(58) **Field of Classification Search**
USPC D6/512, 515, 542, 543; D7/509, 510, D7/511, 300, 312, 313, 619.1, 387, 391, D7/392, 392.1, 393, 396.1, 396.2, 397, D7/398, 900; D9/434, 435, 439, 440, D9/443, 444, 445, 447, 448, 449, 450, D9/452, 453, 454, 682, 685, 686, 688, D9/689, 690, 707, 708, 723, 724; D23/206, 213, 214, 226, 227, 249, 259, D23/260, 261; D24/112, 113, 127, 162, D24/193, 197, 199; D28/4, 76, 77, 84, D28/85, 91.1

CPC ... B65D 1/00; B65D 1/02; B65D 1/10; B65D 1/46; B65D 2585/56; B65D 2585/545; B65D 47/00; B65D 47/06; B65D 47/08; B65D 5/46; B65D 41/00; B65D 41/34; B65D 41/0471; B65D 41/122; B65D 41/3438; B65D 41/3428; B65D 53/02; B65D 23/04; B65D 41/0414; B65D

41/0485; B65D 59/06; B65D 81/3211; B65D 81/325; B65D 81/3205; B65D 83/753; B65D 83/68; B65D 83/752; B01F 3/0479; B01F 3/0446; B01F 13/002; A47G 19/26; A47G 19/2266; A47G 19/2205; A47G 19/2272; B65F 1/14; A47J 27/04; A47J 27/004; A47J 36/24; A47J 36/2411; A47J 36/2416; A47J 36/2433; A47J 39/00; A47J 39/006; A47J 36/2438; A45D 34/005;

(Continued)

(56) **References Cited**

U.S. PATENT DOCUMENTS

D224,092 S * 7/1972 Steidley D9/448
D505,327 S * 5/2005 Bakic D9/449

(Continued)

Primary Examiner — Catherine S Posthauer

(74) *Attorney, Agent, or Firm* — Bayramoglu Law Offices LLC

(57) **CLAIM**

The ornamental design for cap for bottle, as shown and described.

DESCRIPTION

FIG. 1 is a perspective view of cap for bottle showing our new design;

FIG. 2 is a front side elevation view thereof;

FIG. 3 is a rear side elevation view thereof;

FIG. 4 is a right side elevation view thereof;

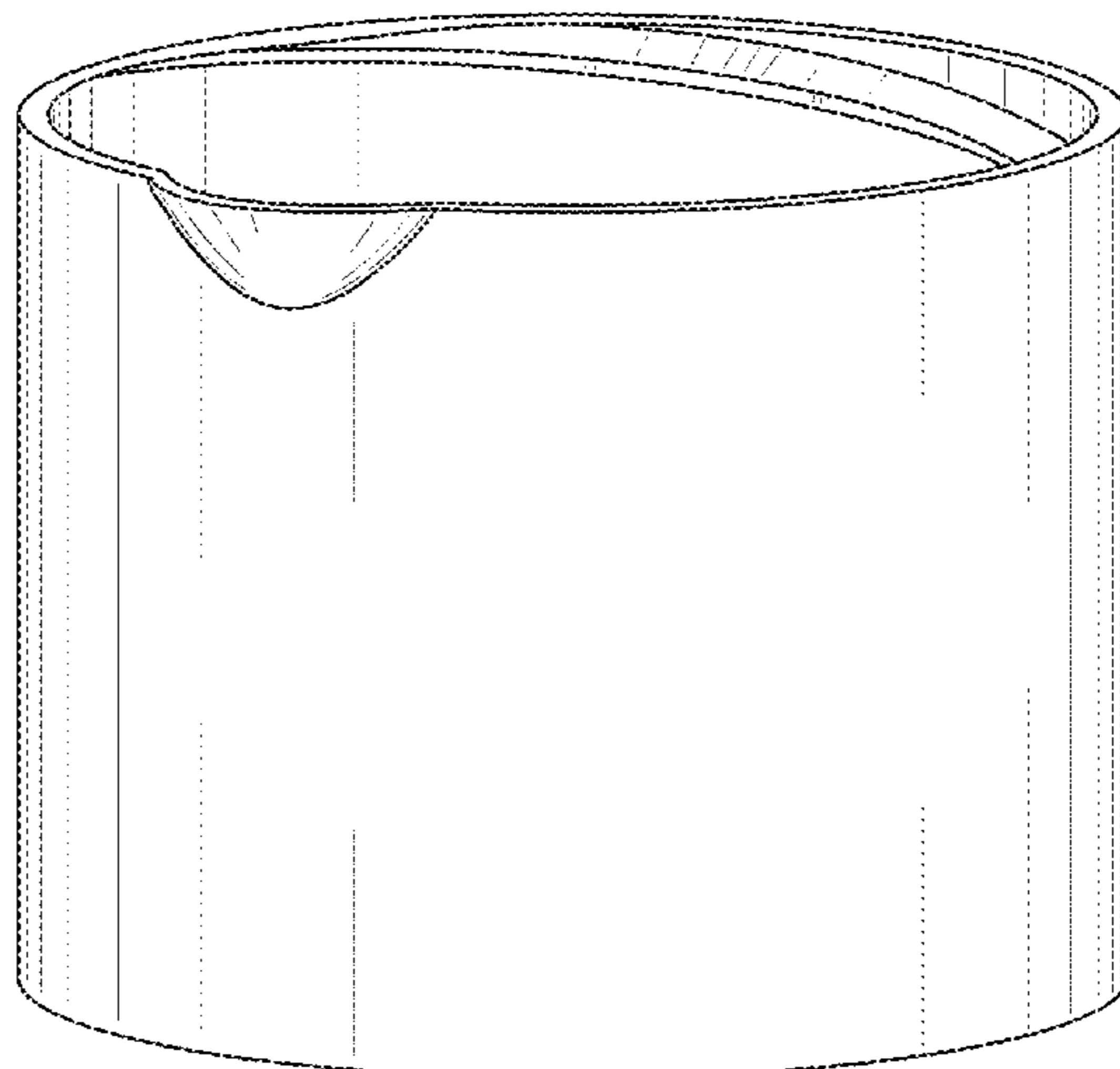
FIG. 5 is a top plan view thereof; and,

FIG. 6 is a bottom plan view thereof.

A left side elevation view is omitted since the left side elevation view is a mirror image of the right side elevation view.

The dot-dash lines shown from FIG. 5 represent the boundaries of the claim and form no part thereof.

1 Claim, 6 Drawing Sheets



(58) **Field of Classification Search**

CPC A45D 34/04; A45D 34/02; A45D 34/06;
A45D 2200/051; A45D 2200/05; A45D
2200/052

See application file for complete search history.

(56) **References Cited**

U.S. PATENT DOCUMENTS

D640,091	S	*	6/2011	Sheppard	D7/316
D686,073	S	*	7/2013	Stull, Sr.	D9/447
D755,048	S	*	5/2016	Baissero	D9/449
D784,810	S	*	4/2017	Ozamiz	D9/434
D825,333	S	*	8/2018	Ozamiz	D9/449

* cited by examiner

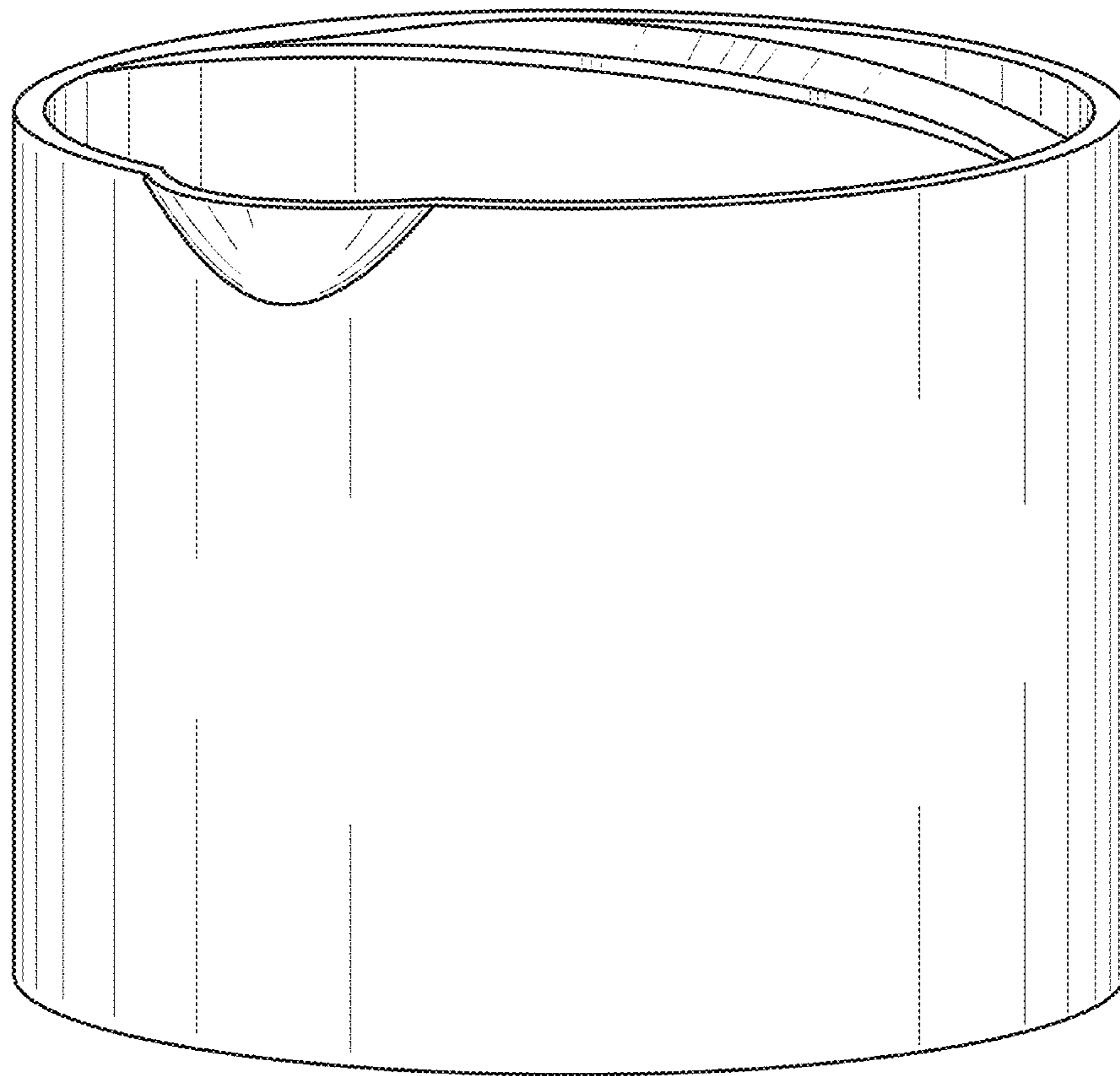


Fig. 1

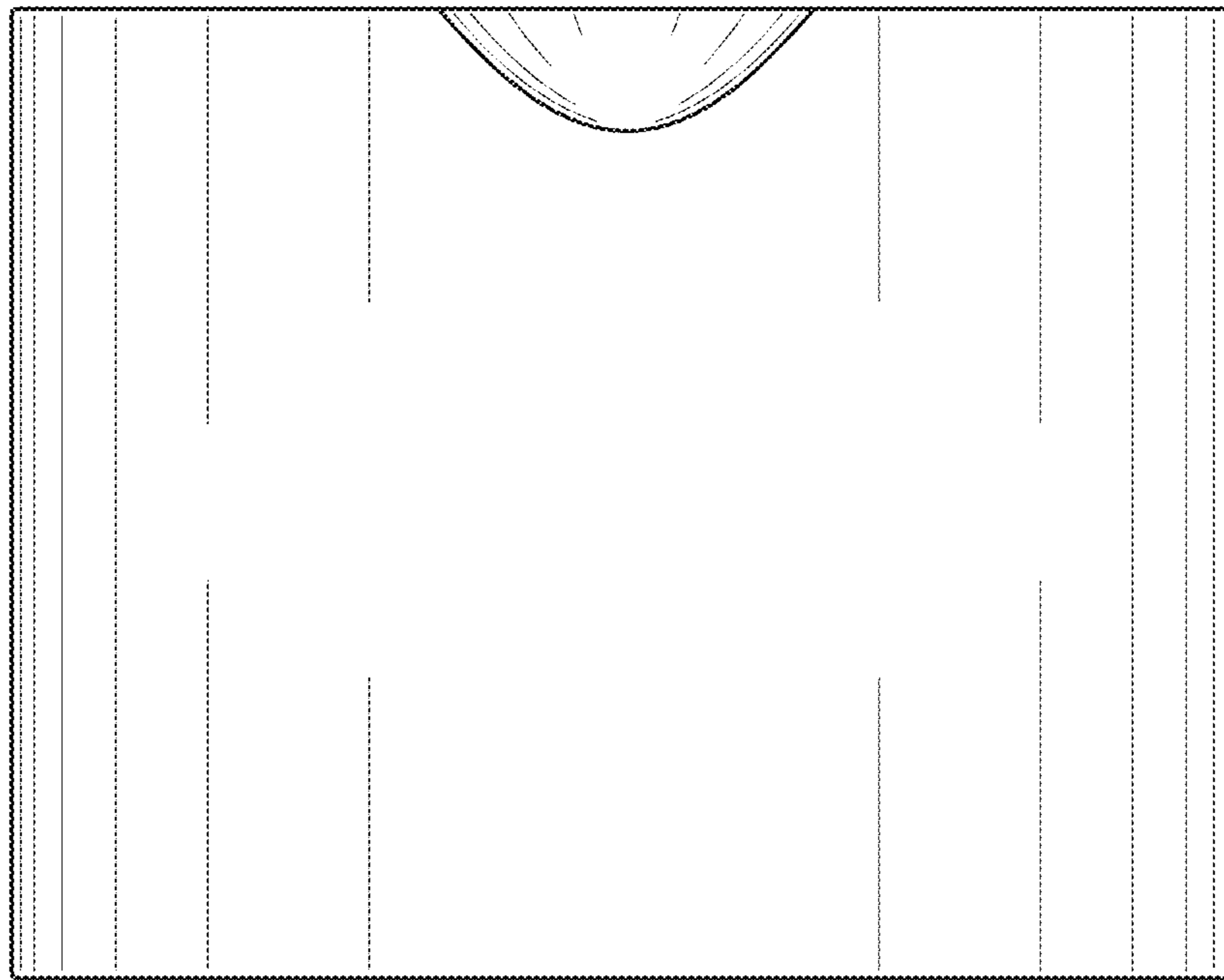


Fig. 2

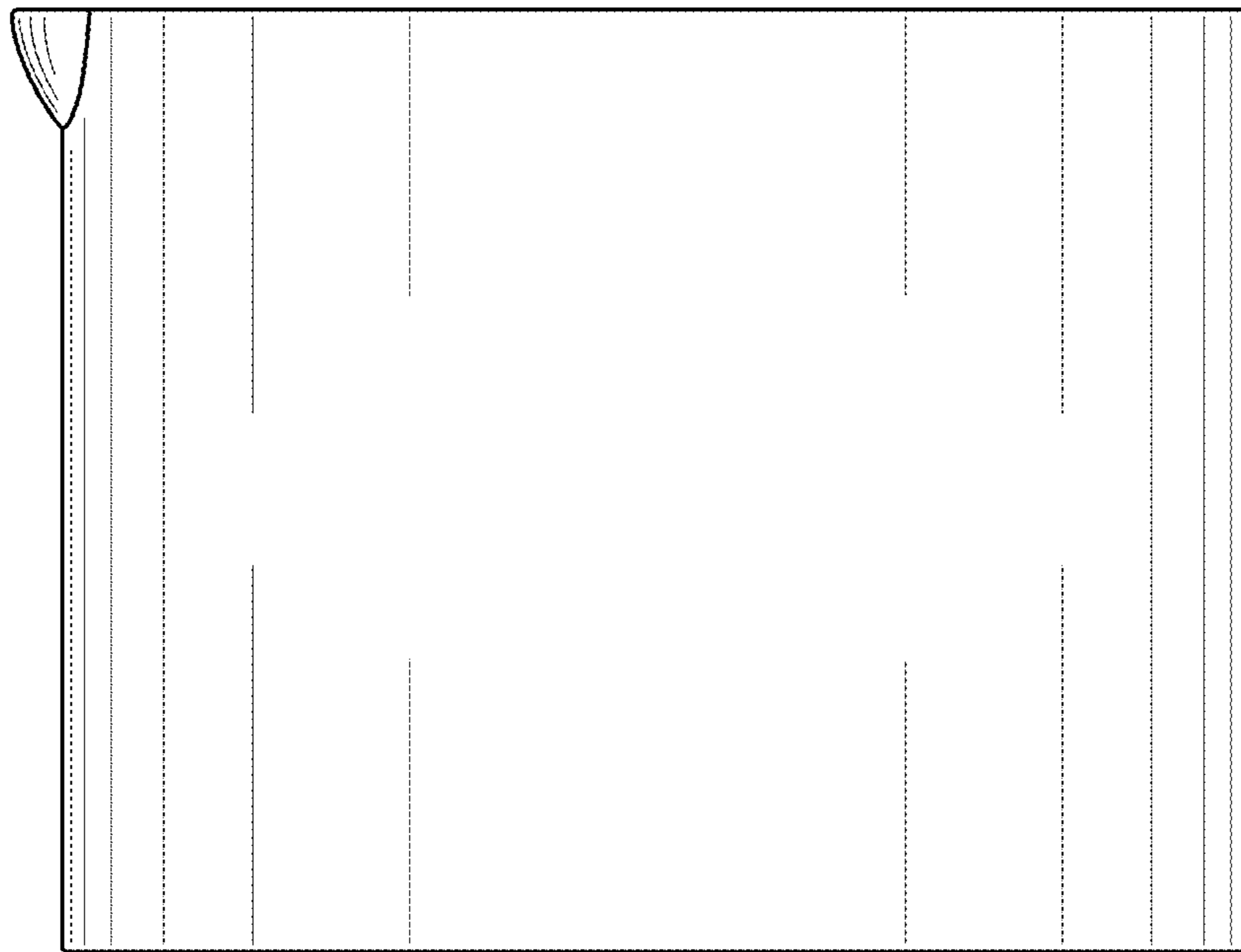


Fig. 4

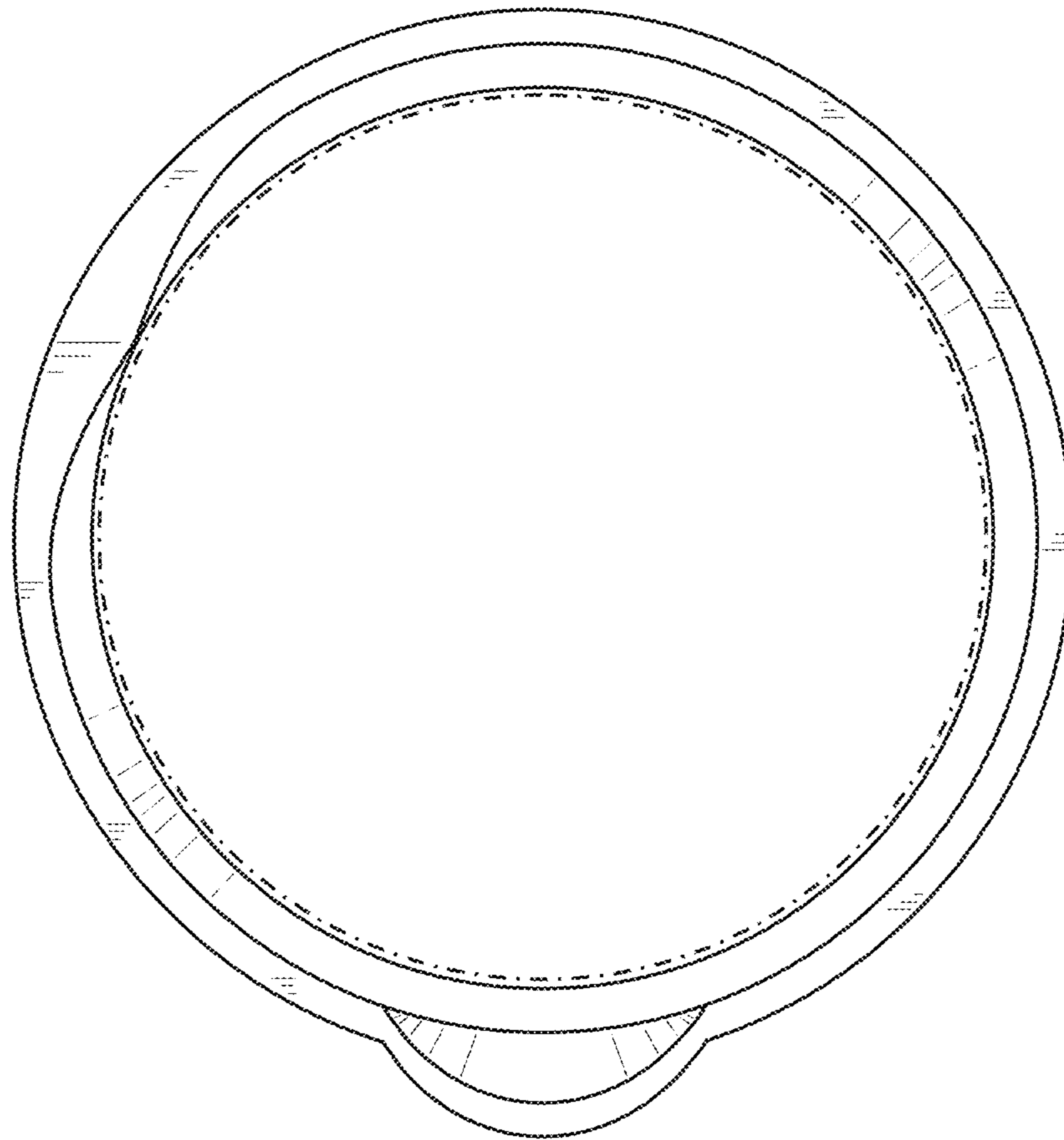


Fig. 5

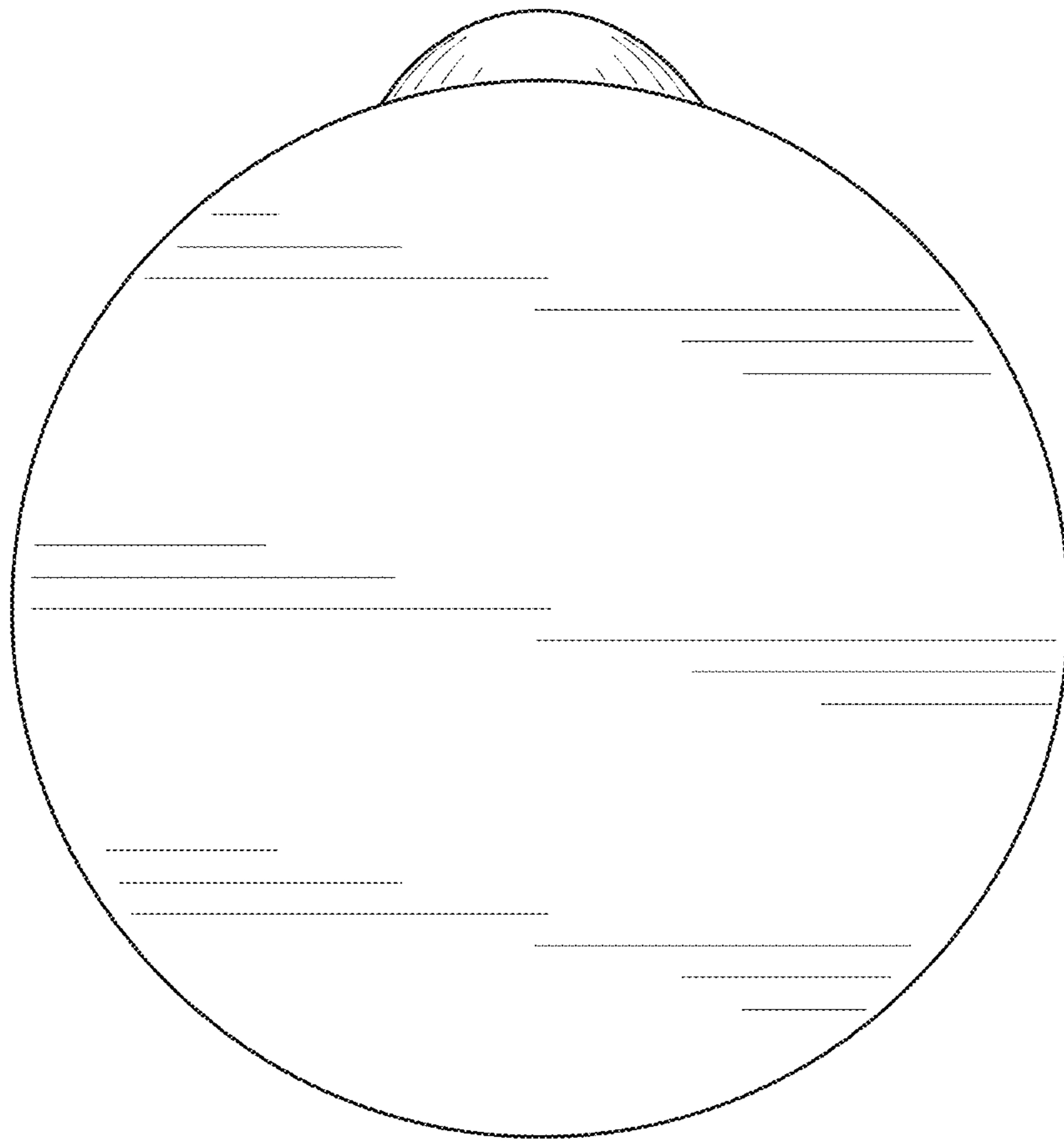


Fig. 6