



US00D902029S

(12) **United States Design Patent** (10) **Patent No.:** **US D902,029 S**
Sanders et al. (45) **Date of Patent:** **** Nov. 17, 2020**

(54) **FOOD CONTAINER**

(56) **References Cited**

(71) Applicant: **Kellogg Company**, Battle Creek, MI (US)
(72) Inventors: **Sean Sanders**, Chicago, IL (US); **Matthew J. Costello**, Chicago, IL (US); **Derek A. Smith**, Chicago, IL (US); **Jeff Nuss**, Hickory Corners, MI (US); **Donald Joswick**, Portage, MI (US); **Mark Allen Fager**, Madison, WI (US)
(73) Assignee: **KELLOGG COMPANY**, Battle Creek, MI (US)

U.S. PATENT DOCUMENTS

D528,432 S *	9/2006	Snedden	D9/716
D563,167 S *	3/2008	Snedden	D7/505
D595,131 S *	6/2009	Dibnah	D9/436
D605,469 S *	12/2009	Wingfield	D7/505
D624,783 S *	10/2010	Lion	D7/354
D637,481 S *	5/2011	Sellari	D9/424

(Continued)

Primary Examiner — Janice Patyk

(74) *Attorney, Agent, or Firm* — Honigman LLP; Kathryn D. Doyle; Jonathan P. O'Brien

(**) Term: **15 Years**

(57) **CLAIM**

(21) Appl. No.: **29/686,599**

We claim the ornamental design for a food container, as shown and described.

(22) Filed: **Apr. 5, 2019**

DESCRIPTION

Related U.S. Application Data

(62) Division of application No. 29/604,920, filed on Jun. 22, 2017, now Pat. No. Des. 849,526.

(51) **LOC (12) Cl.** **09-03**

(52) **U.S. Cl.**
USPC **D9/432**

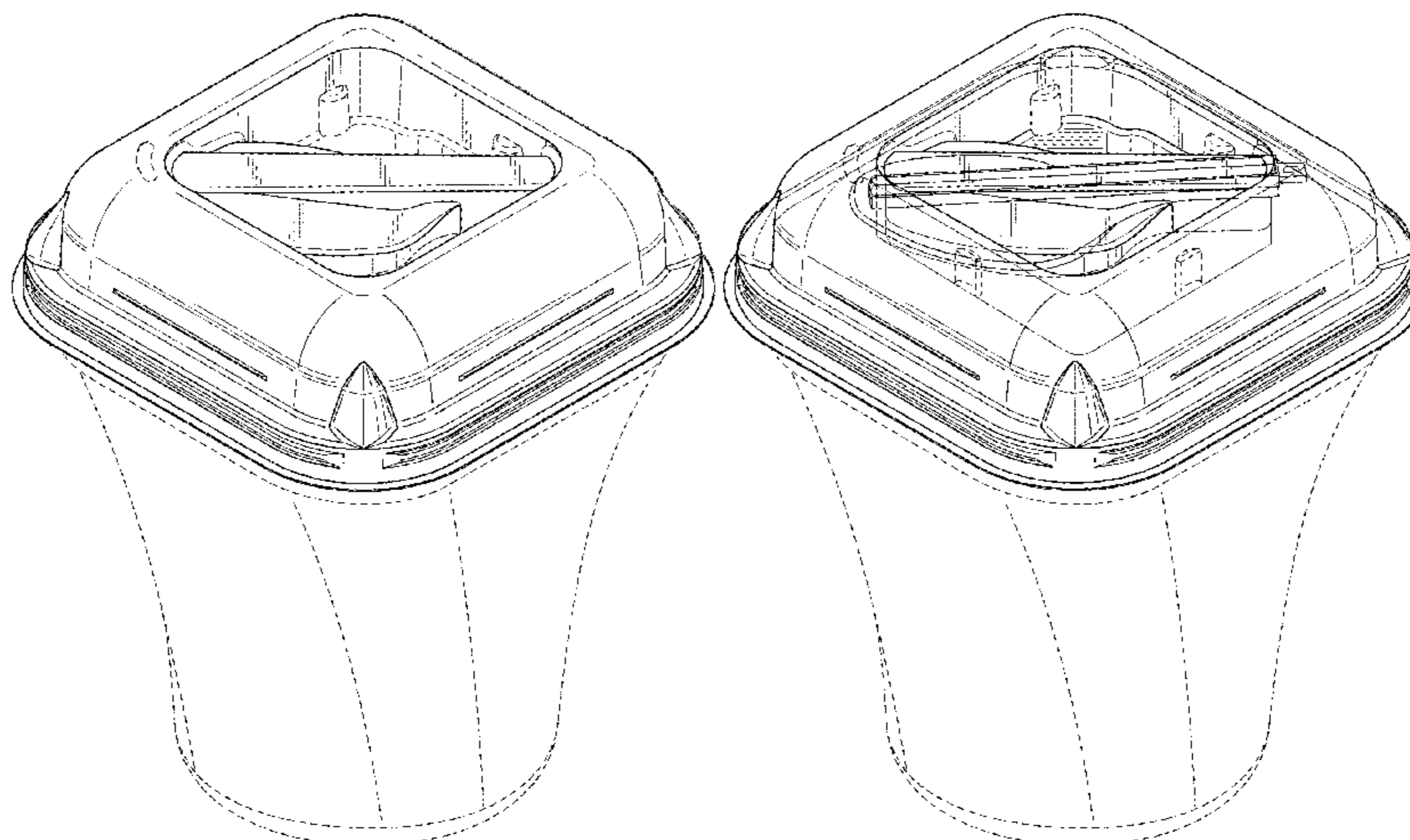
(58) **Field of Classification Search**
USPC D7/396.1, 538-542, 602, 608, 629; D9/414, 424-429, 432, 761; 206/499, 206/508, 557; 220/23.4, 23.6, 315, 500, 220/659, 669, 674, 675, 696, 752, 760, 220/790, 793; 229/105, 117.09, 117.26, 229/189, 406, 407, 902, 905
CPC ... B65D 1/34; B65D 1/36; B65D 1/40; B65D 25/04; B65D 43/00; B65D 43/02; B65D 81/34; B65D 81/3446; B65D 2543/00; B65D 2581/34

See application file for complete search history.

FIG. 1 is a top perspective view of embodiment one, of a food container, shown in environmental use, showing our new design;
FIG. 2 is a top perspective view thereof;
FIG. 3 is a top plan view thereof;
FIG. 4 is a front elevation view thereof, a rear, side, and opposite side elevation views being identical;
FIG. 5 is a bottom plan view thereof;
FIG. 6 is a top perspective view embodiment two, of a food container, shown in environment use, showing our new design;
FIG. 7 is a top perspective view thereof;
FIG. 8 is a top plan view thereof;
FIG. 9 is a front elevation view thereof, a rear elevation view being a mirror image thereof; and,
FIG. 10 is a bottom plan view thereof.

The broken lines in the figures illustrate the portions of the design that form no part of the claimed design. The broken

(Continued)



lines container in FIGS. 1 and 6 illustrate environmental subject matter that form no part of the claimed design.

1 Claim, 6 Drawing Sheets

(56)

References Cited

U.S. PATENT DOCUMENTS

D715,646 S * 10/2014 Fraser D9/436
D718,148 S * 11/2014 Marret D9/717

* cited by examiner

FIG. 1

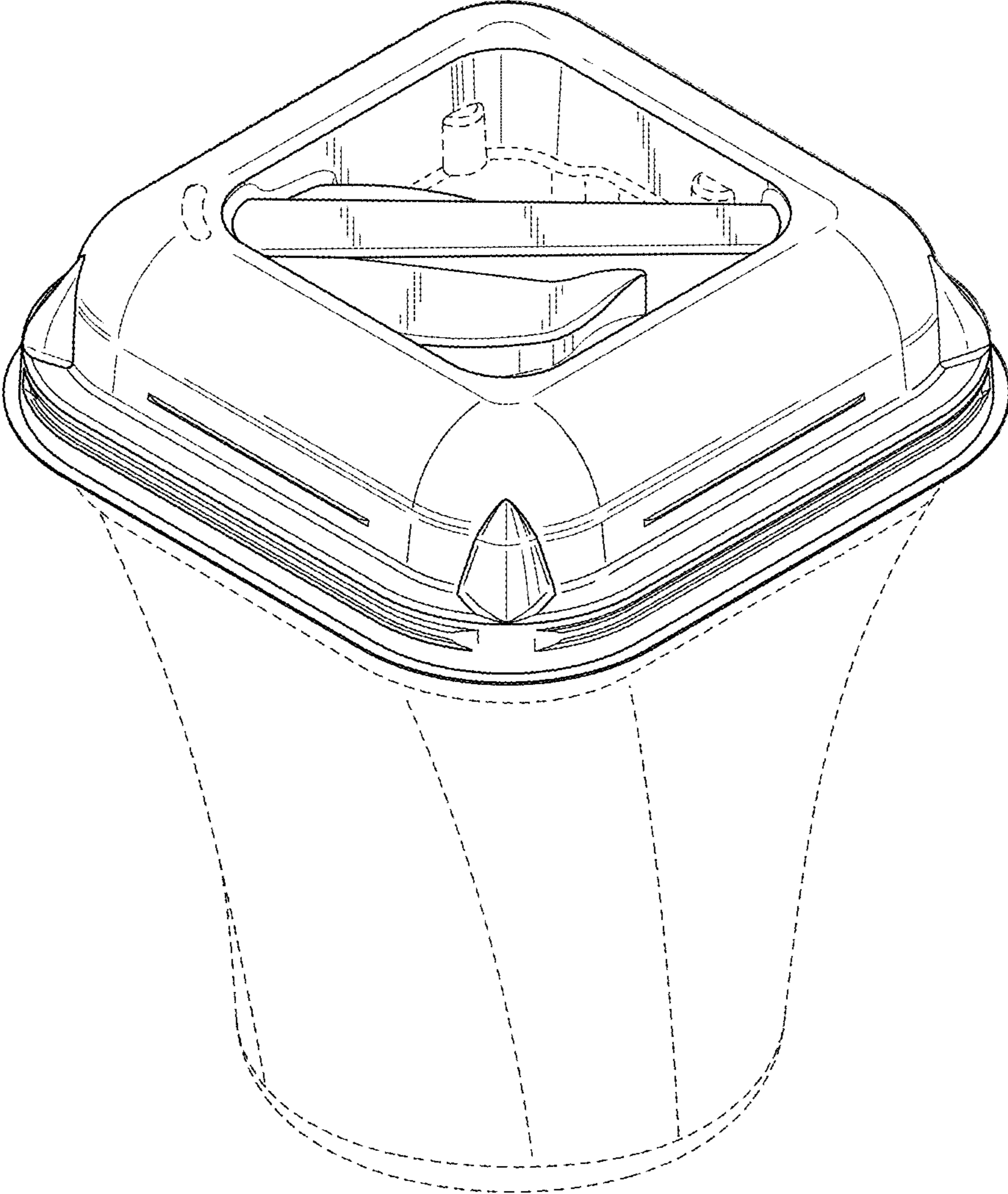


FIG. 2

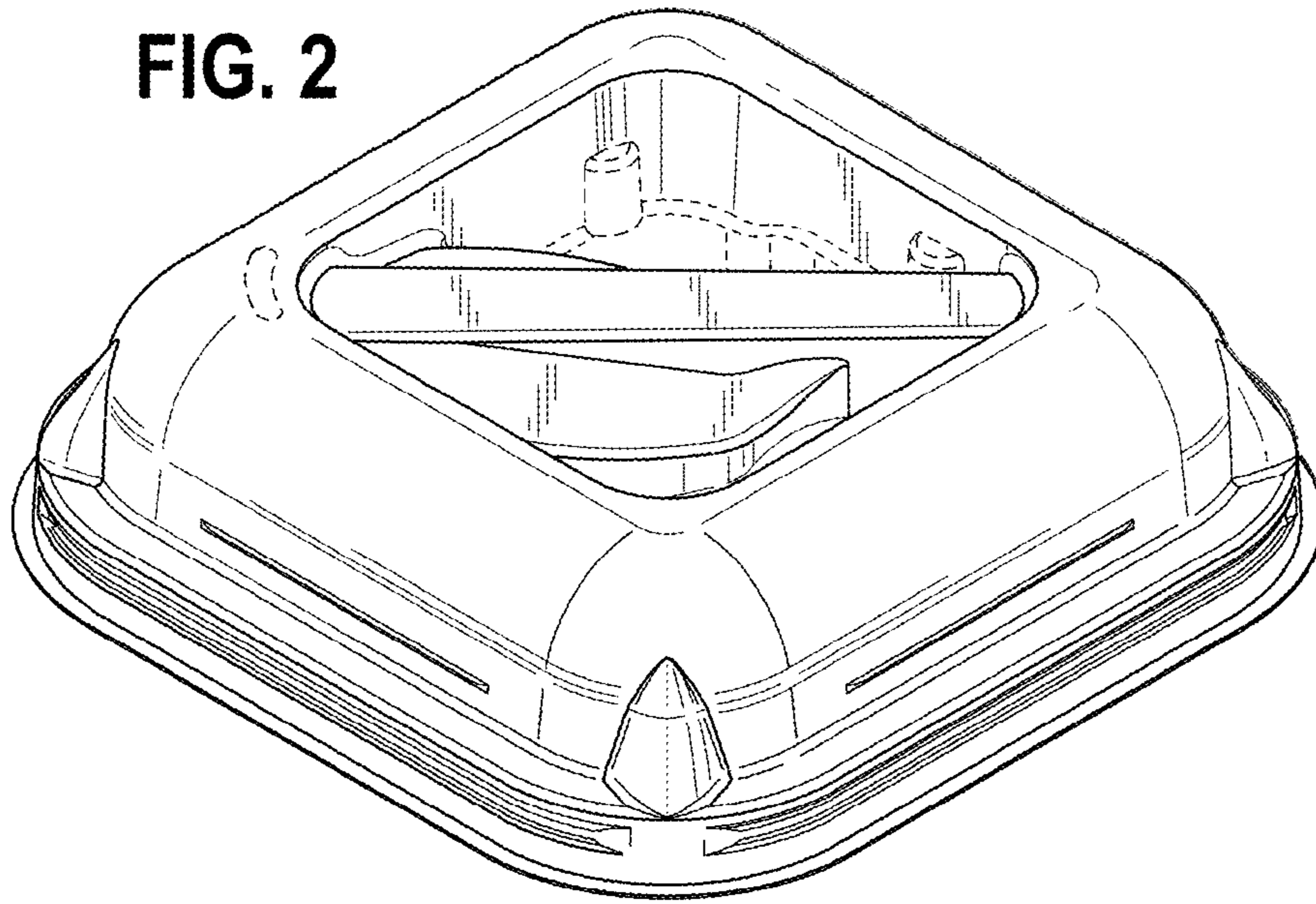


FIG. 3

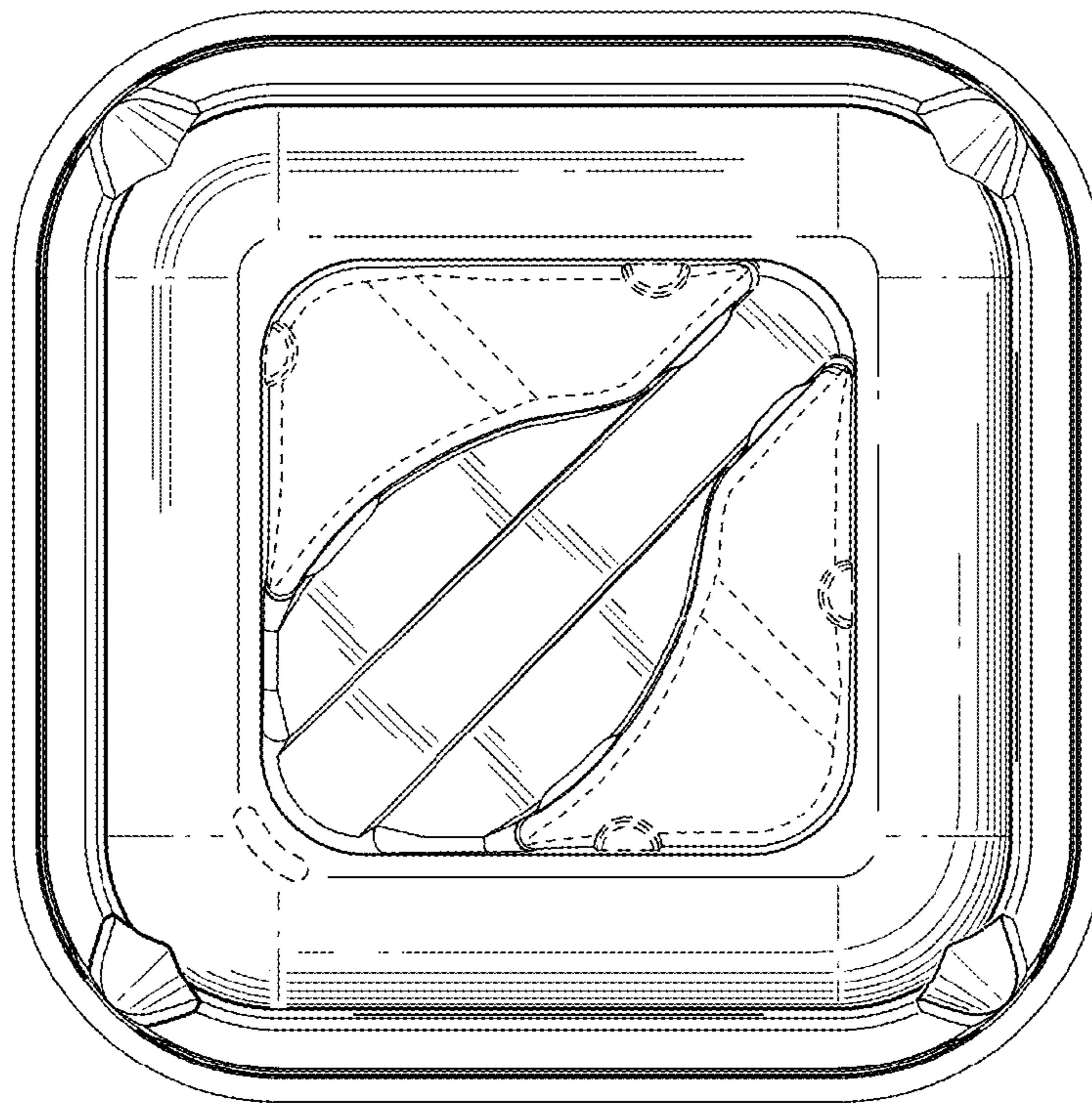


FIG. 4

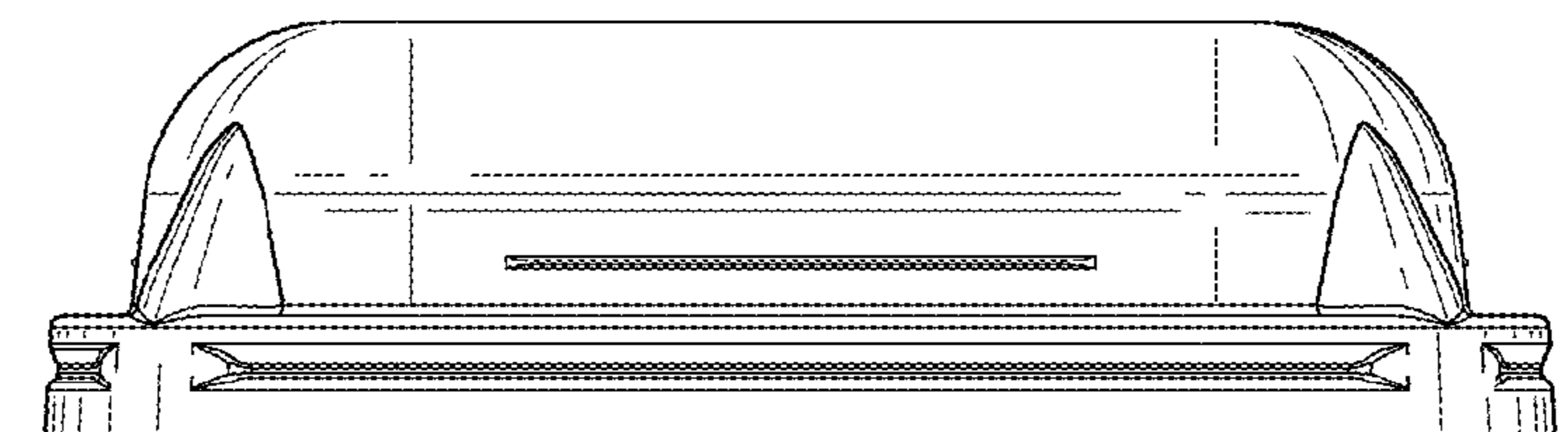


FIG. 5

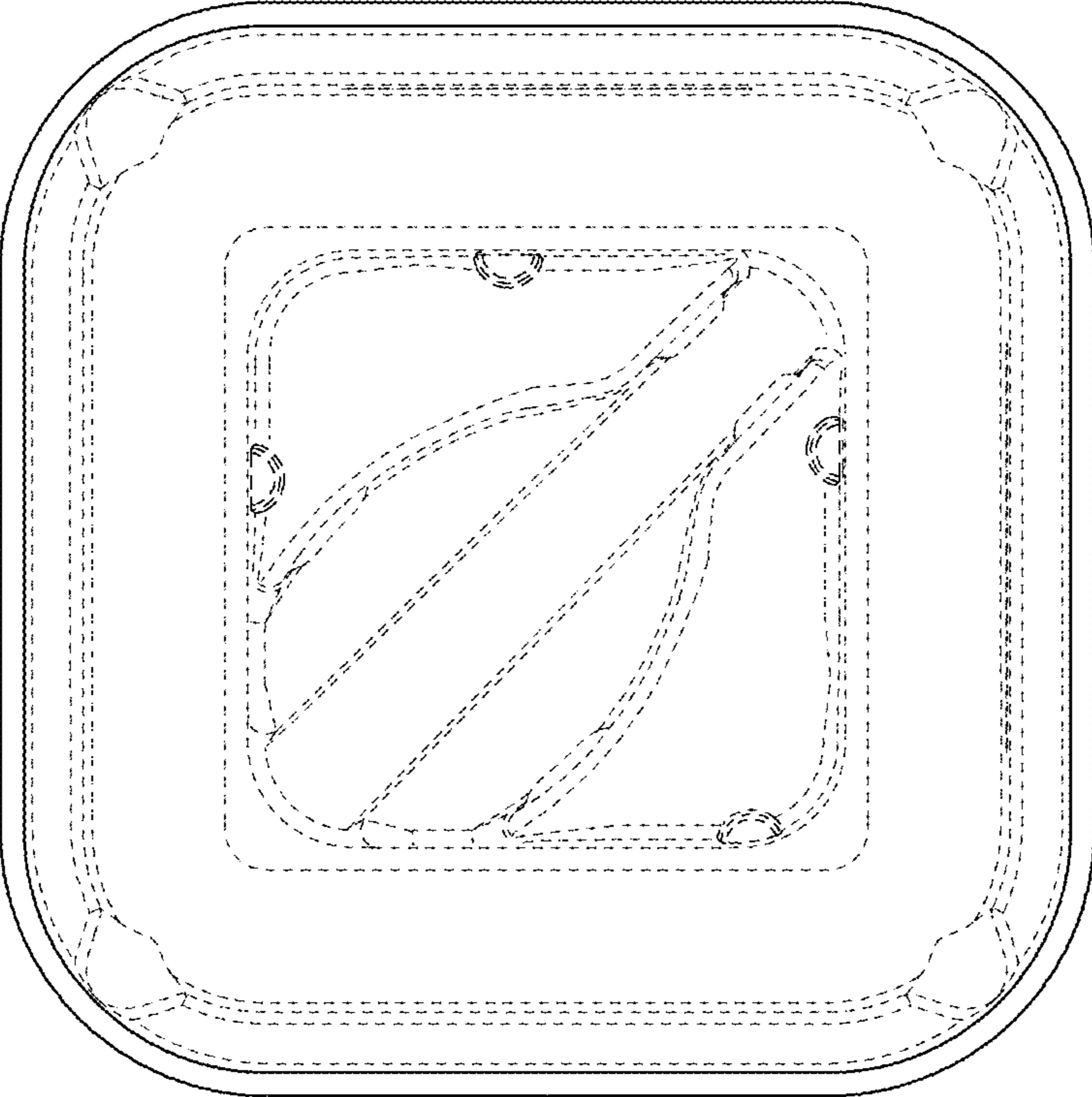


FIG. 6

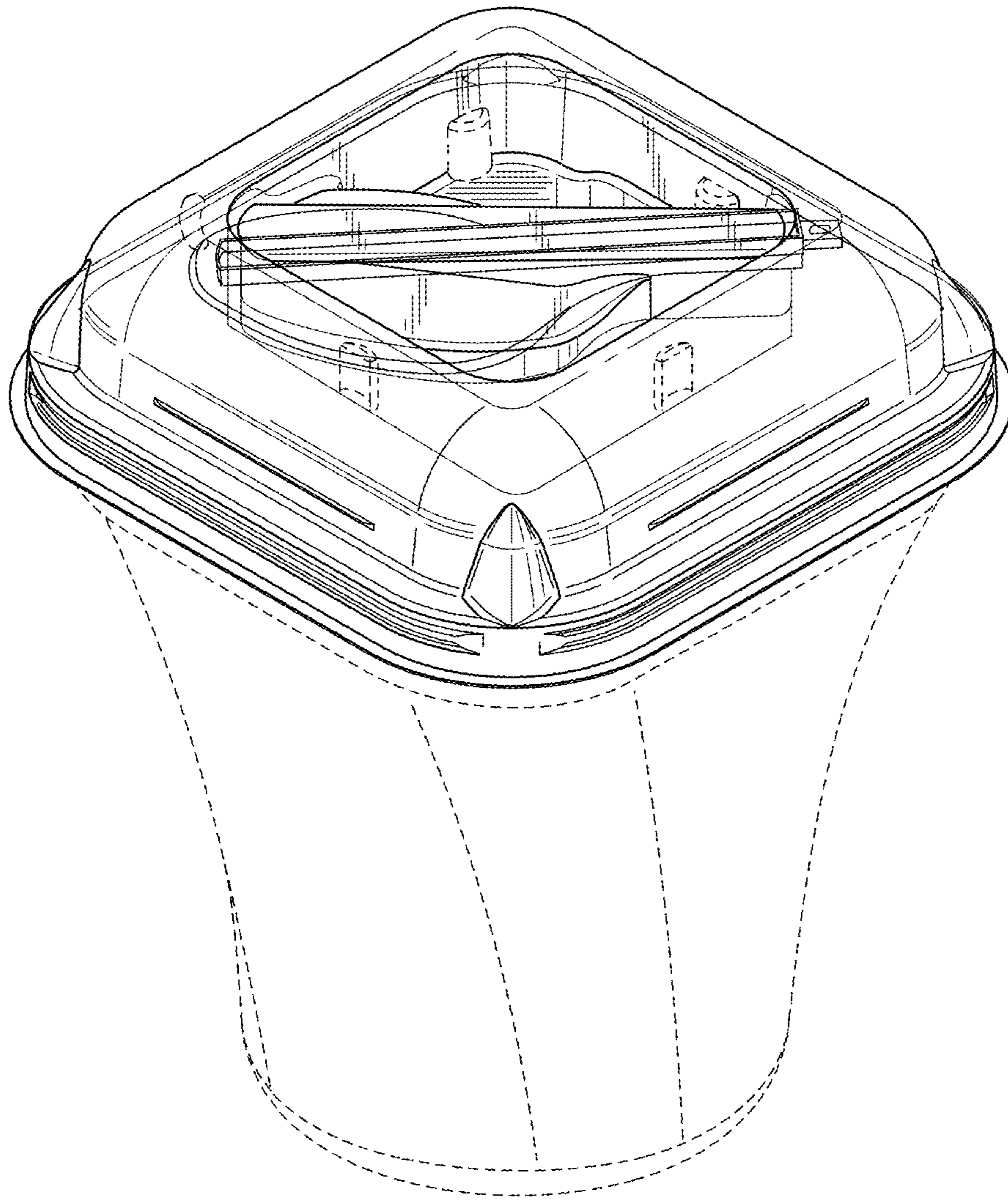


FIG. 7

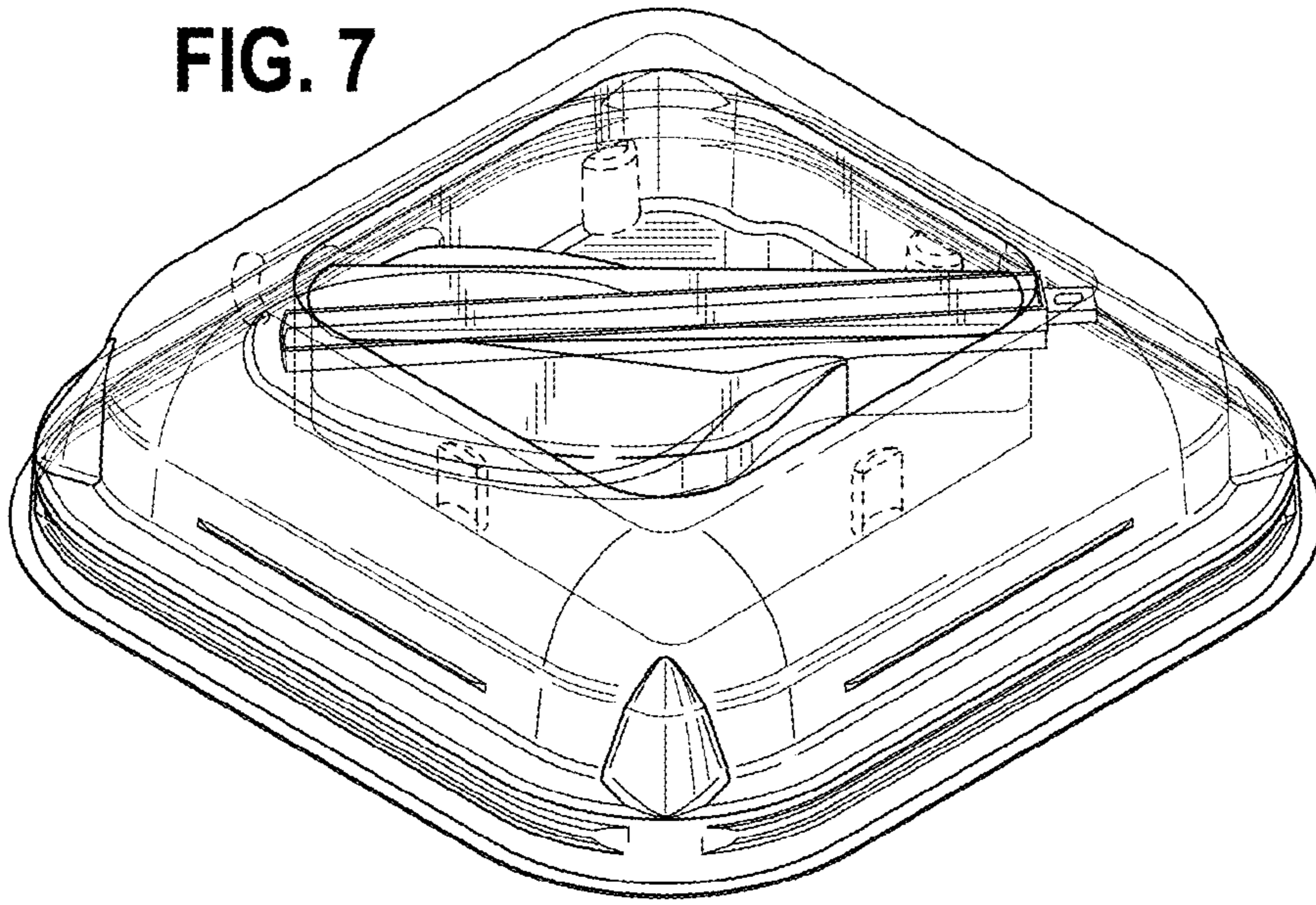


FIG. 8

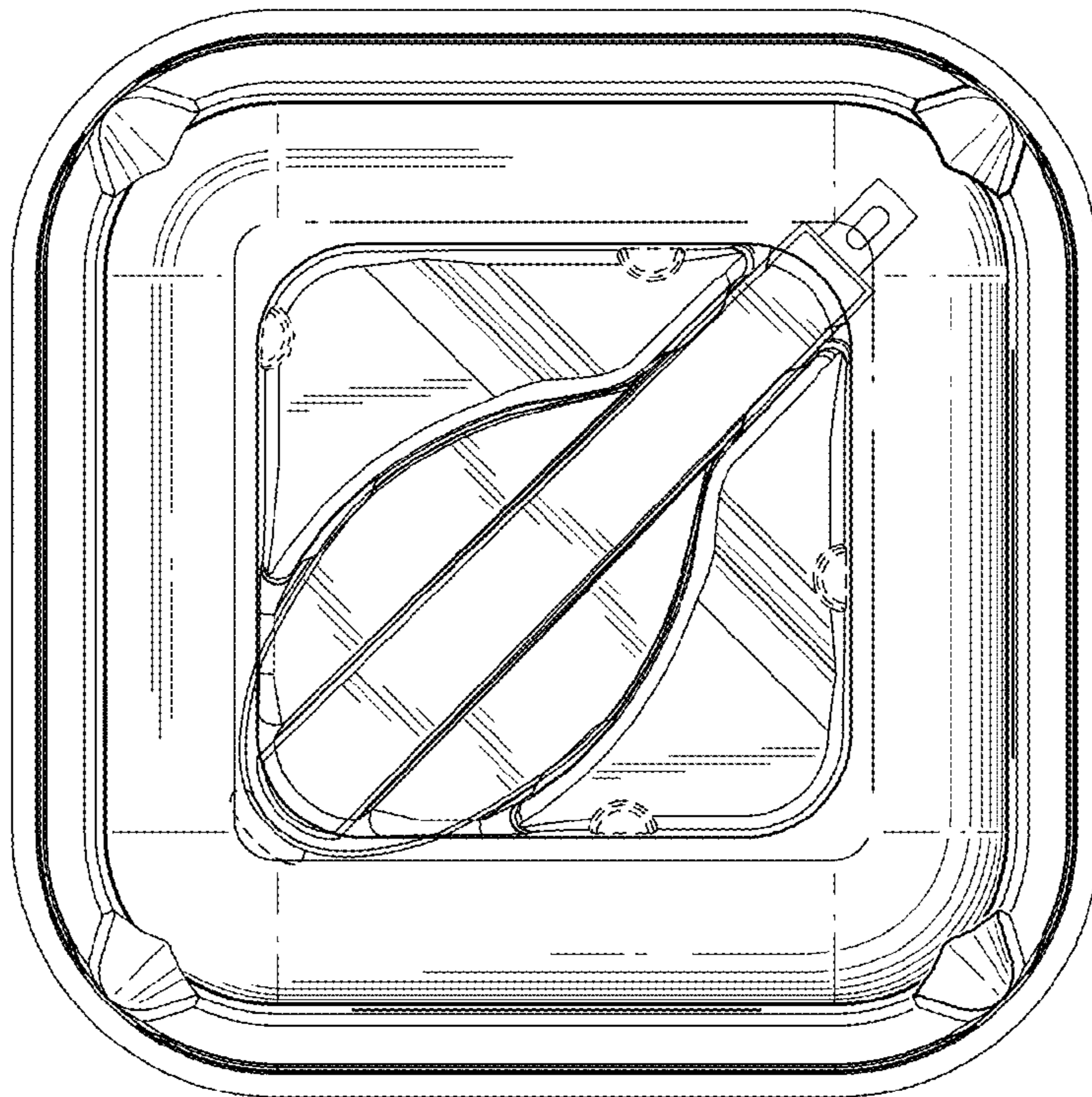


FIG. 9

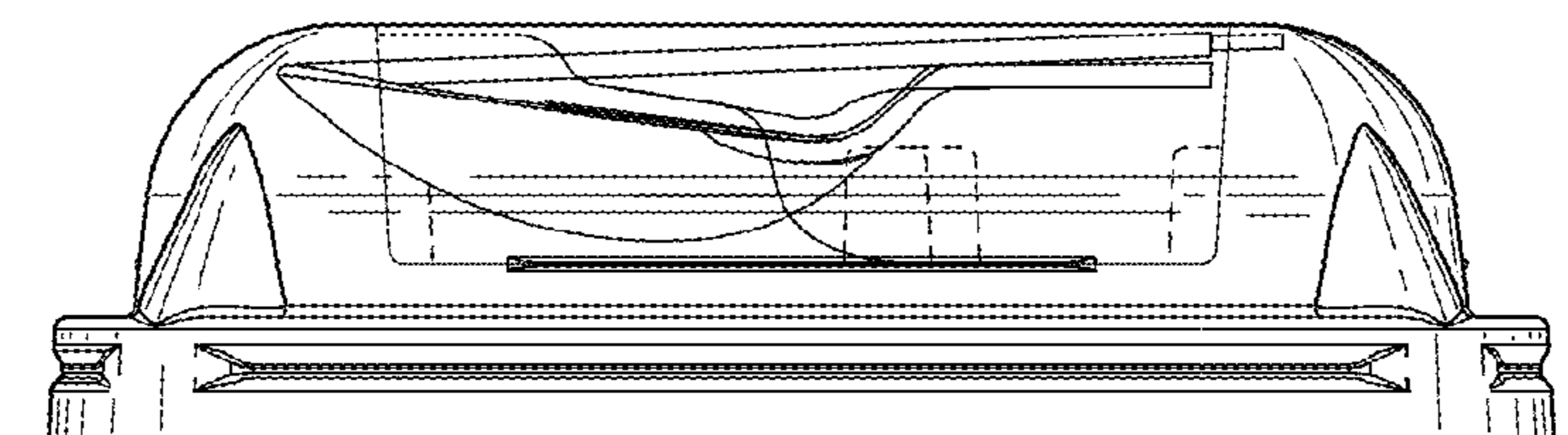


FIG. 10

