

US00D902026S

(12) **United States Design Patent**
O'Hare

(10) **Patent No.:** **US D902,026 S**

(45) **Date of Patent:** **** Nov. 17, 2020**

(54) **THREE-PRONGED CONNECTOR CLIP**

(71) Applicant: **Curtis O'Hare**, Cabot, AR (US)

(72) Inventor: **Curtis O'Hare**, Cabot, AR (US)

(**) Term: **15 Years**

(21) Appl. No.: **29/653,898**

(22) Filed: **Jun. 19, 2018**

(51) **LOC (12) Cl.** **08-09**

(52) **U.S. Cl.**
USPC **D8/499; D8/356**

(58) **Field of Classification Search**
USPC D8/367, 353, 354, 349, 356, 352, 351,
D8/381, 398, 394, 382, 383, 499;
D14/205

CPC D10B 2503/02; D06J 1/00
See application file for complete search history.

(56) **References Cited**

U.S. PATENT DOCUMENTS

- 3,080,135 A * 3/1963 Steijn D06B 23/02
242/157 R
- 3,090,533 A * 5/1963 Claeys D06J 1/00
223/35

- D676,310 S * 2/2013 Lowrance D8/356
- D685,344 S * 7/2013 Mercs D14/205
- D691,581 S * 10/2013 Mercs D14/205
- D787,918 S * 5/2017 Rago D8/354
- D827,417 S * 9/2018 Nelson D8/356
- D865,491 S * 11/2019 Noack D8/356
- D875,511 S * 2/2020 Liu D8/374
- 10,556,721 B2 * 2/2020 Nelson B65B 11/02

* cited by examiner

Primary Examiner — Janice Hallmark

Assistant Examiner — Harold E Blackwell, II

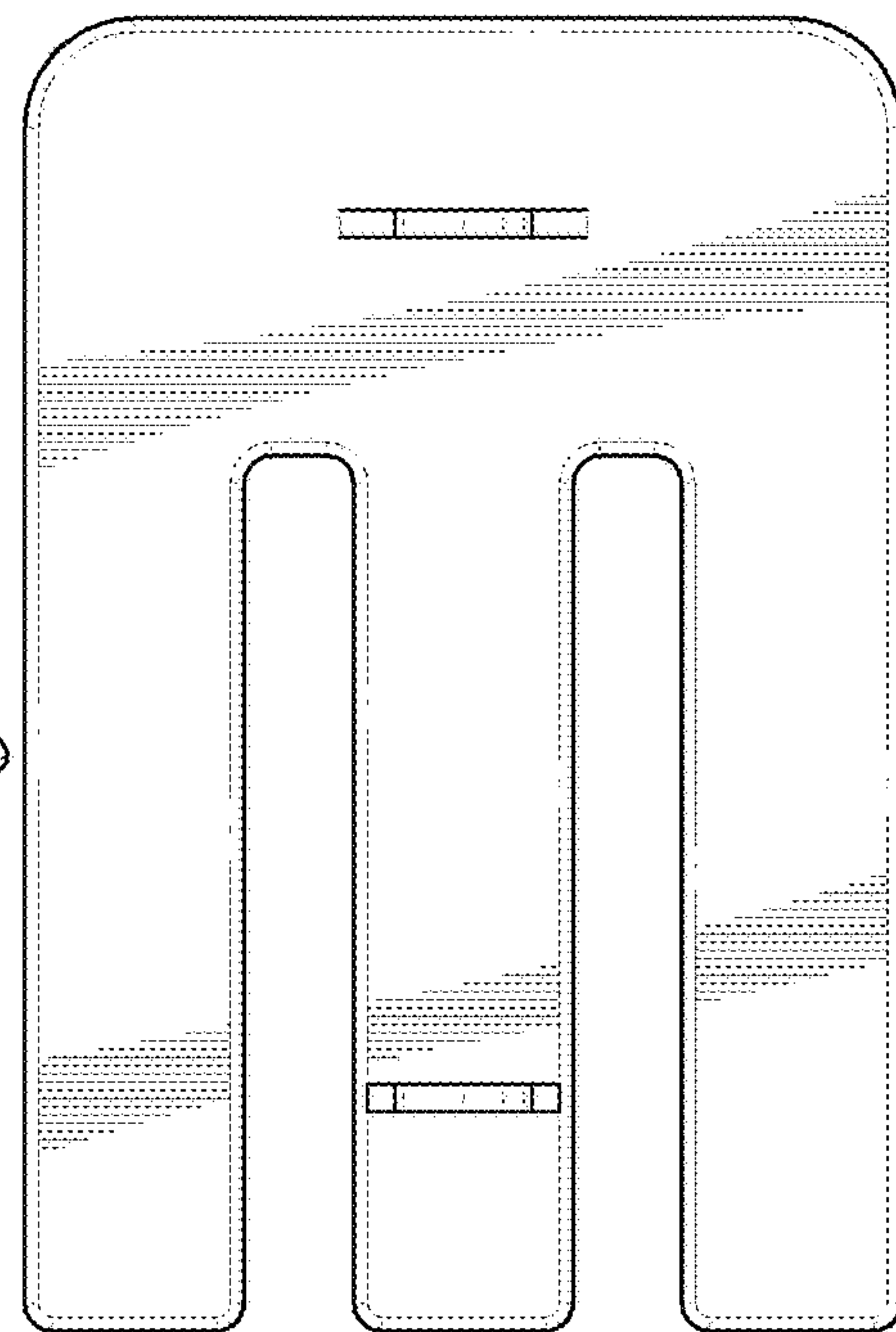
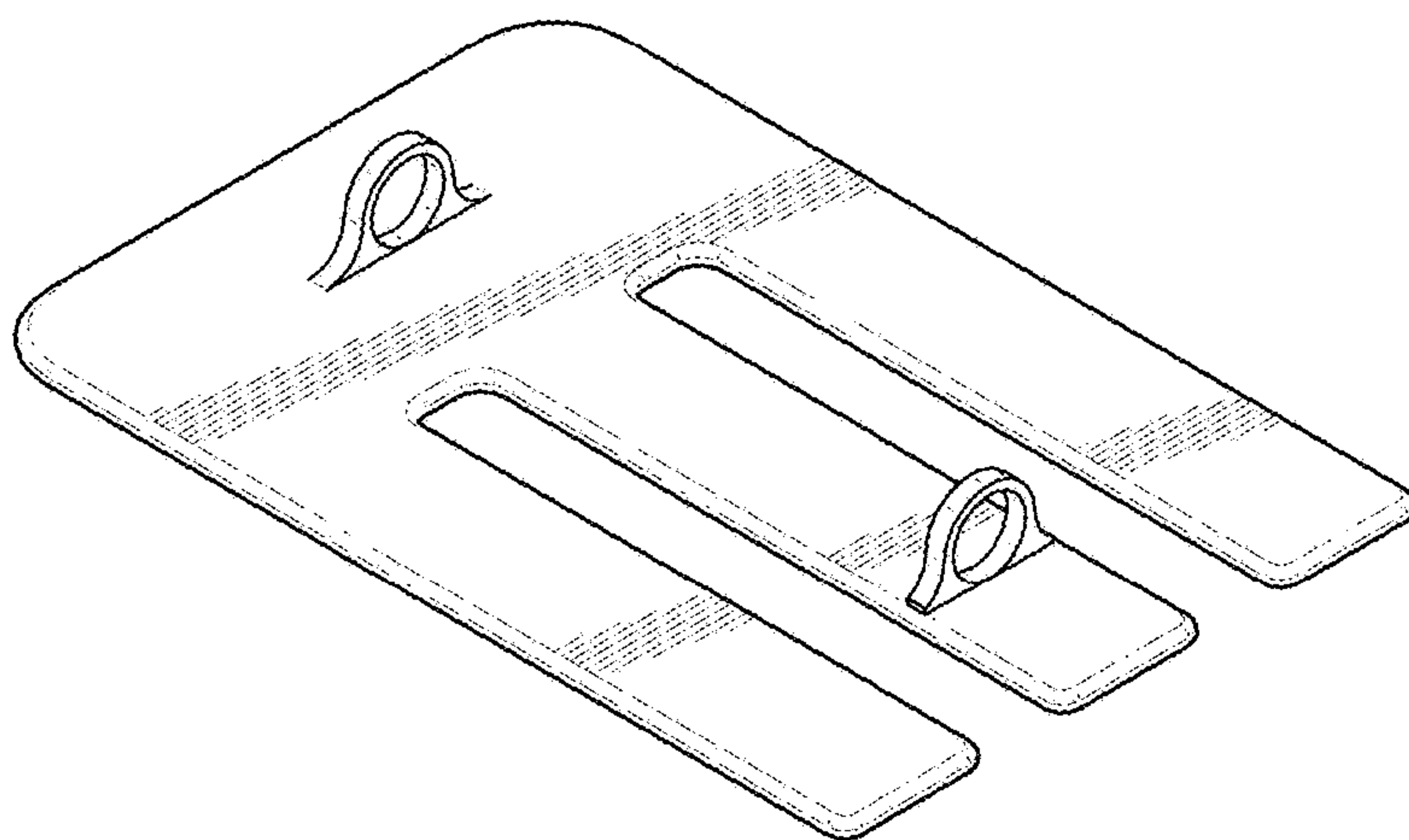
(57) **CLAIM**

The ornamental design of a three-pronged connector clip, as shown and described.

DESCRIPTION

FIG. 1 is a perspective view of the invention.
 FIG. 2 is a front elevational view of the invention.
 FIG. 3 is a left side elevational view of the invention.
 FIG. 4 is a top plan view of the invention.
 FIG. 5 is a rear elevational view of the invention; and,
 FIG. 6 is a bottom plan view of the invention.
 The left and right sides of the invention are mirror images of each other, and thus only the left side views are shown in the drawings.

1 Claim, 3 Drawing Sheets



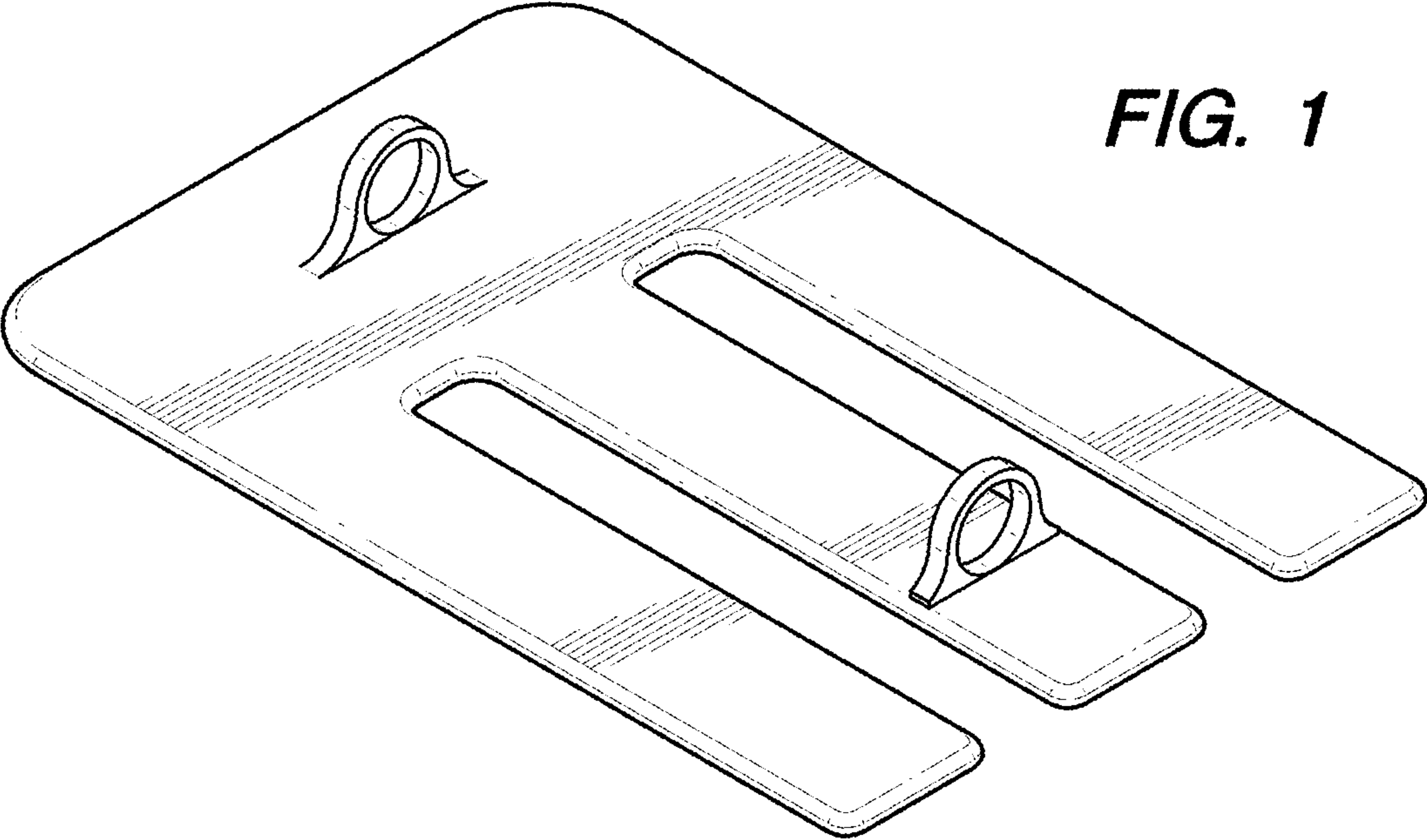


FIG. 1

FIG. 2

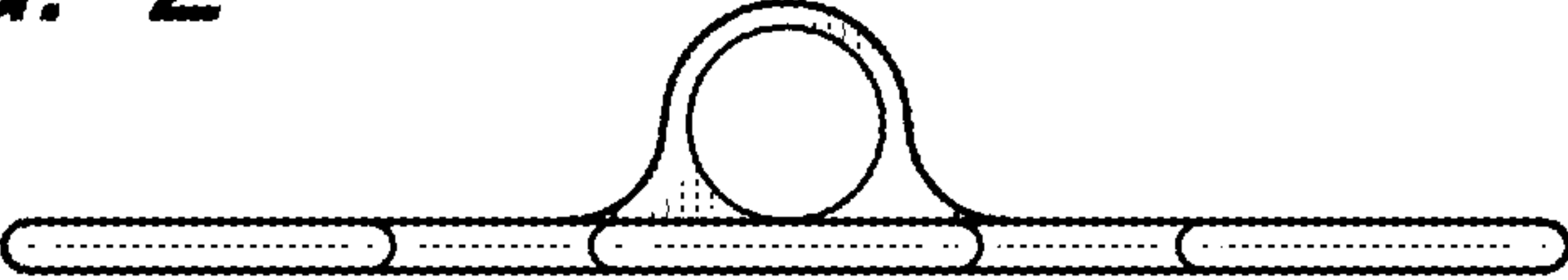


FIG. 3



FIG. 4

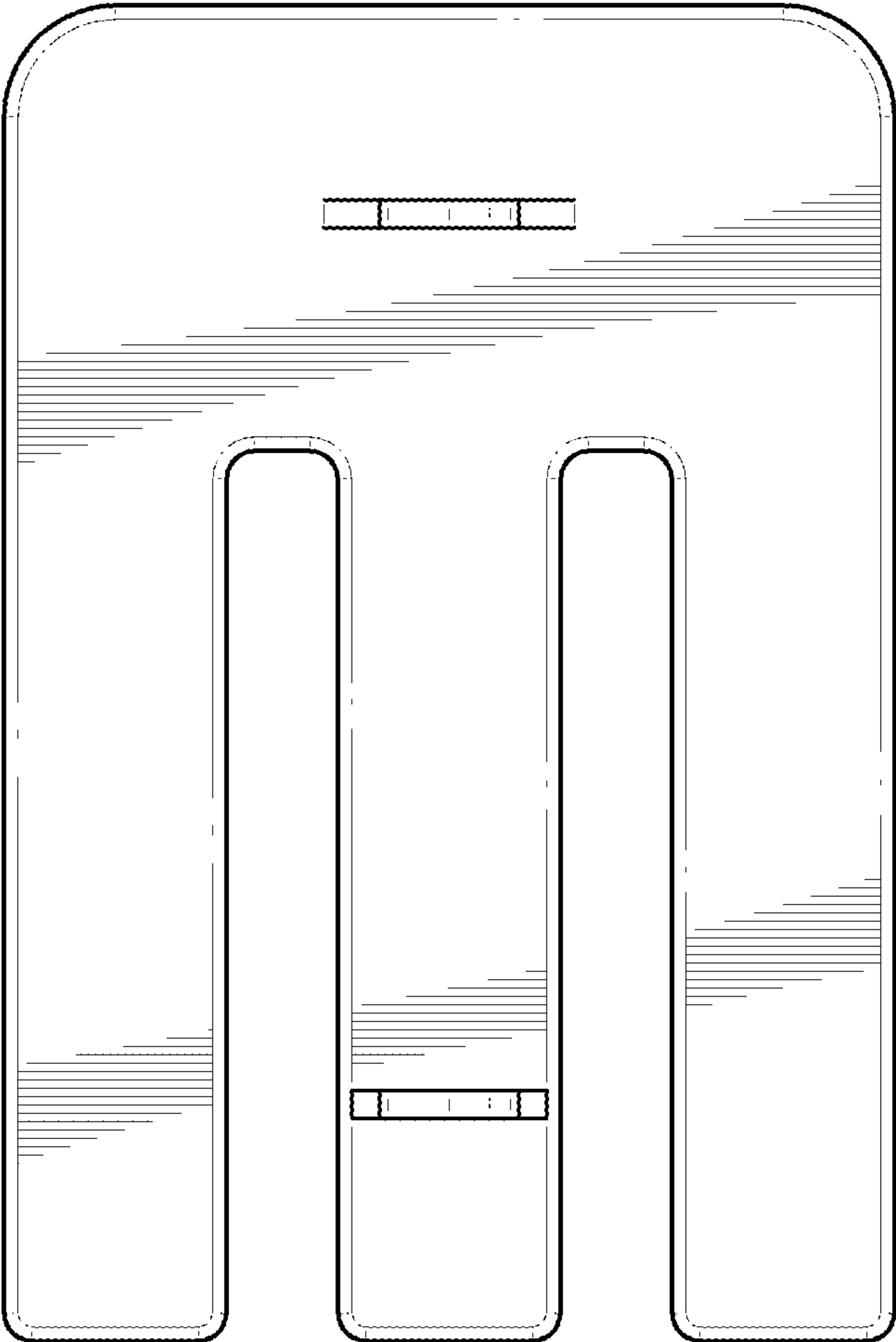


FIG. 5

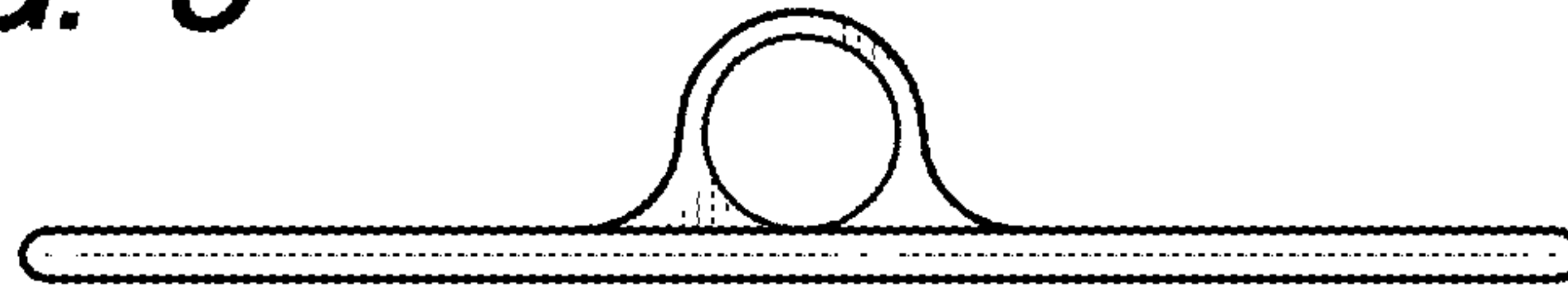


FIG. 6

