



US00D902024S

(12) **United States Design Patent**
Krout et al.

(10) **Patent No.:** **US D902,024 S**

(45) **Date of Patent:** **** Nov. 17, 2020**

(54) **CLIP WITH A SIDE OPENING**

(71) Applicant: **Iconsky LLC**, Bellevue, WA (US)

(72) Inventors: **Jasmin Zya Krout**, Bellevue, WA (US); **Marlaina Jolie Elliott**, Bellevue, WA (US)

(73) Assignee: **Iconsky LLC**, Bellevue, WA (US)

(**) Term: **15 Years**

(21) Appl. No.: **29/673,475**

(22) Filed: **Dec. 14, 2018**

(51) **LOC (12) Cl.** **08-08**

(52) **U.S. Cl.**
USPC **D8/395**; D8/396; D8/383; D2/978

(58) **Field of Classification Search**
USPC D8/356, 371, 394-396, 383; D2/978
CPC . E04B 9/067; E04B 9/068; E04B 9/12; E04B 9/30; E04B 2009/062; E04C 2003/0413; E04C 2003/0439; E04C 2003/046; A43C 7/00; A43C 9/00; F16G 11/00
See application file for complete search history.

(56) **References Cited**

U.S. PATENT DOCUMENTS

4,453,292	A *	6/1984	Bakker	F16G 11/101 24/115 G
4,694,544	A *	9/1987	Chapman	F16B 21/065 24/625
D399,045	S *	10/1998	Liston	D2/978
D417,388	S *	12/1999	Kawahara	D8/383
6,026,548	A	2/2000	Jackson		
D430,484	S *	9/2000	Ikeda	D8/383
D481,301	S *	10/2003	Nezu	D8/383
7,228,655	B2	6/2007	Slatter		
D548,578	S *	8/2007	Wu	D8/383

D549,087	S *	8/2007	Pontaoe	D8/383
D571,194	S *	6/2008	Mei	D8/383
D584,942	S *	1/2009	Yoshie	D8/383
D587,105	S *	2/2009	Chang	D8/383
D618,984	S *	7/2010	Yang	D8/356
D668,137	S *	10/2012	Kao	D8/383
D676,734	S *	2/2013	Moreau	D8/356
D684,846	S *	6/2013	DePhillips	D8/356
D692,293	S *	10/2013	Toscani	D8/356
D736,603	S *	8/2015	Petzl	D8/356
D738,707	S *	9/2015	Tung	D8/356
D789,767	S *	6/2017	Lu	D8/323
D836,561	S *	12/2018	Hung	D13/155
D878,911	S *	3/2020	Cox	D8/382
2004/0074055	A1 *	4/2004	Watabe	F16G 11/101 24/115 G

* cited by examiner

Primary Examiner — John Windmuller

(74) *Attorney, Agent, or Firm* — Seed IP Law Group LLP

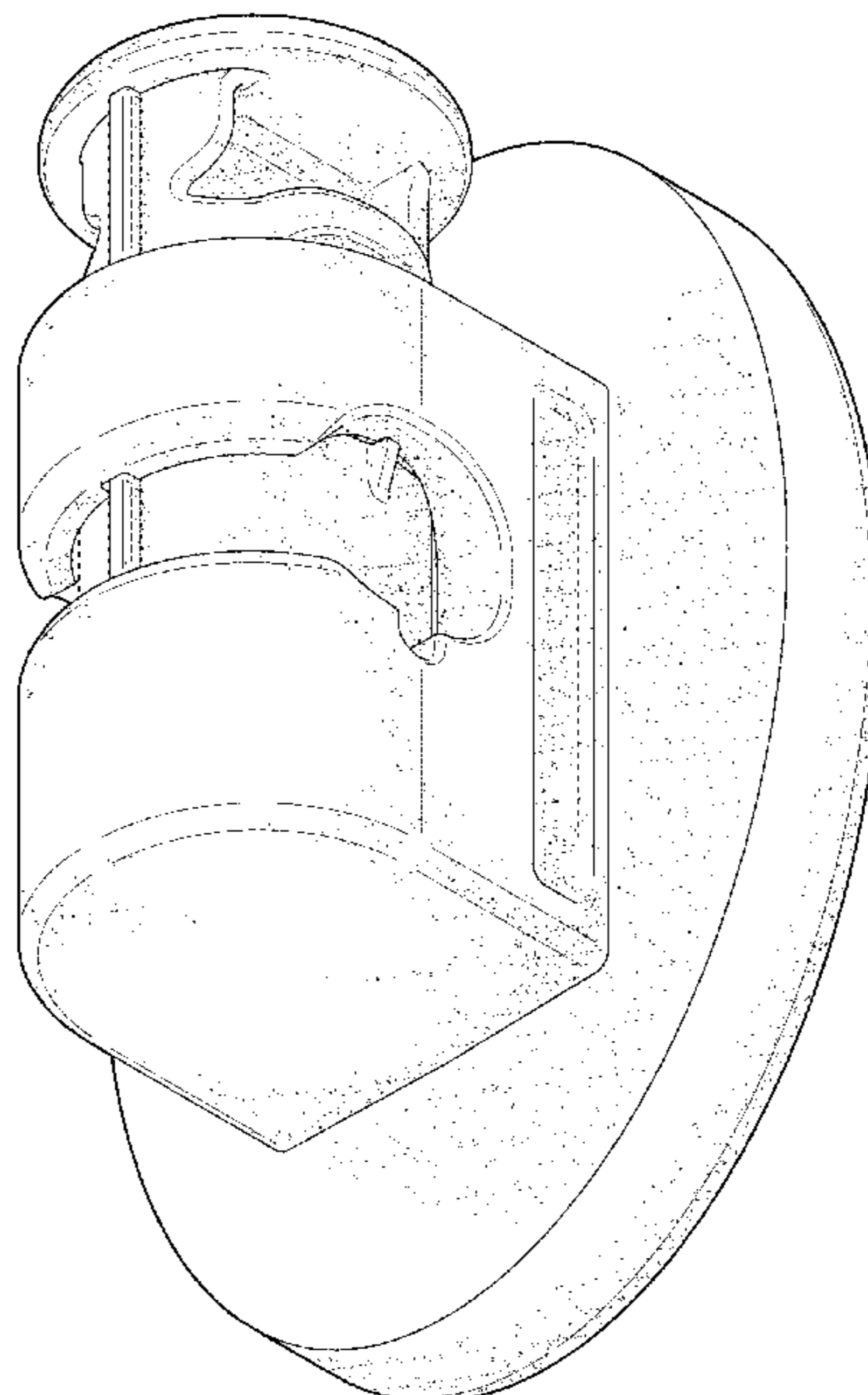
(57) **CLAIM**

The ornamental design for a clip with a side opening, as shown and described.

DESCRIPTION

FIG. 1 is a front perspective view of a clip with a side opening showing our new design in a closed position. FIG. 2 is a rear perspective view thereof. FIG. 3 is a front elevational view thereof. FIG. 4 is a right side elevational view thereof. FIG. 5 is a left side elevational view thereof. FIG. 6 is a rear elevational view thereof. FIG. 7 is a top plan view thereof. FIG. 8 is a bottom plan view thereof. FIG. 9 is a right side elevational view thereof showing our new design in an open position; and, FIG. 10 is a rear elevational view thereof.

1 Claim, 10 Drawing Sheets



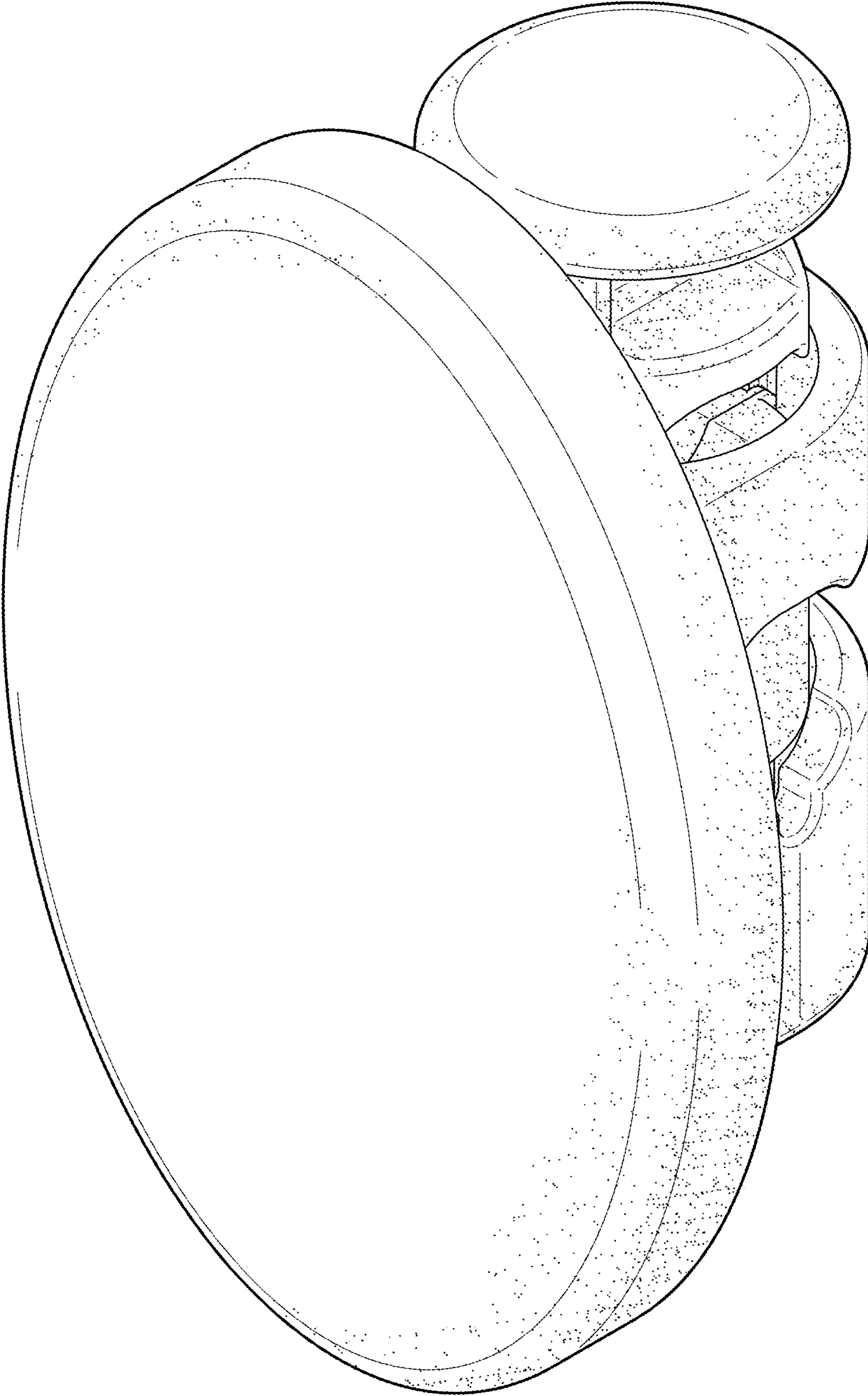


FIG. 1

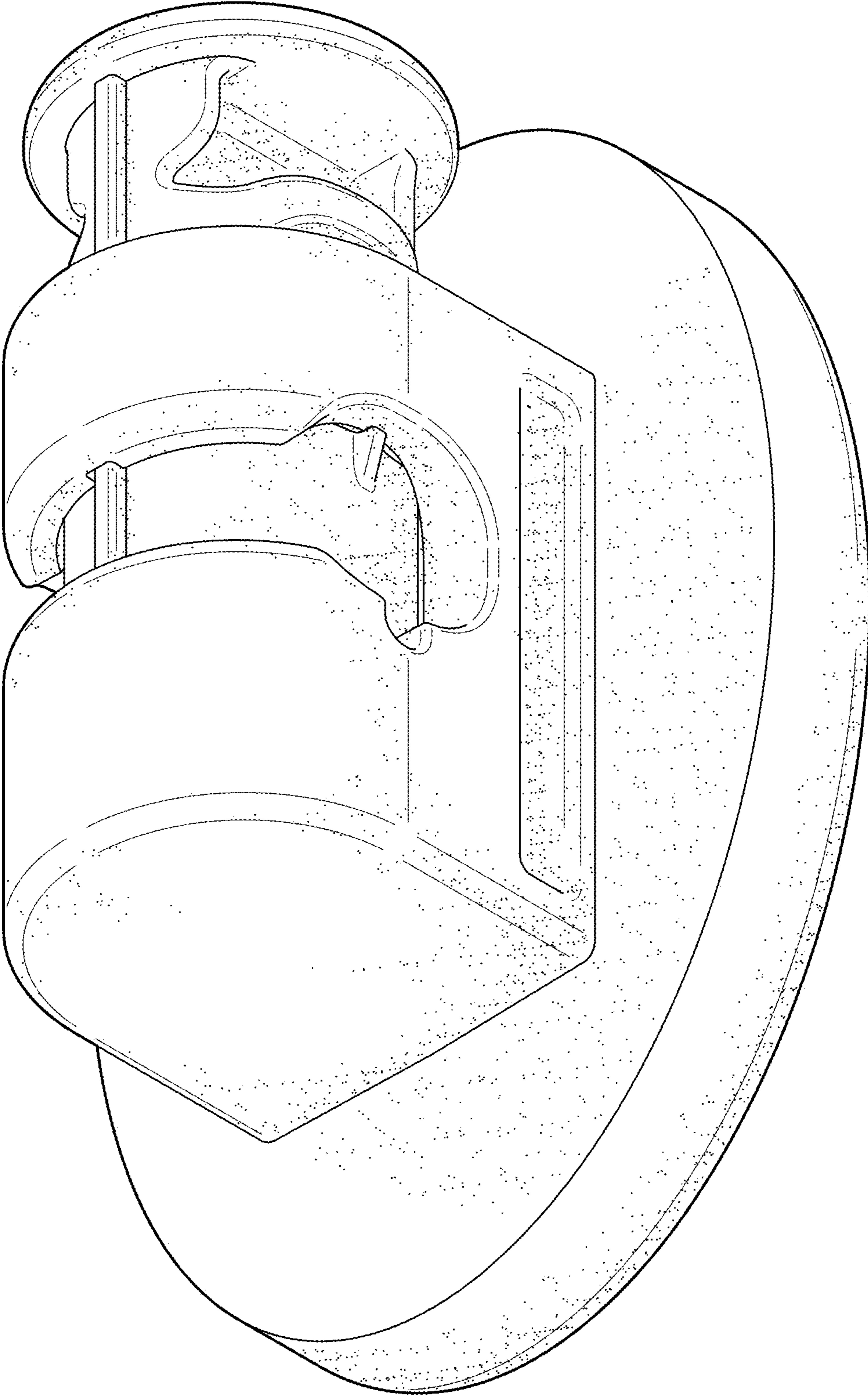


FIG. 2

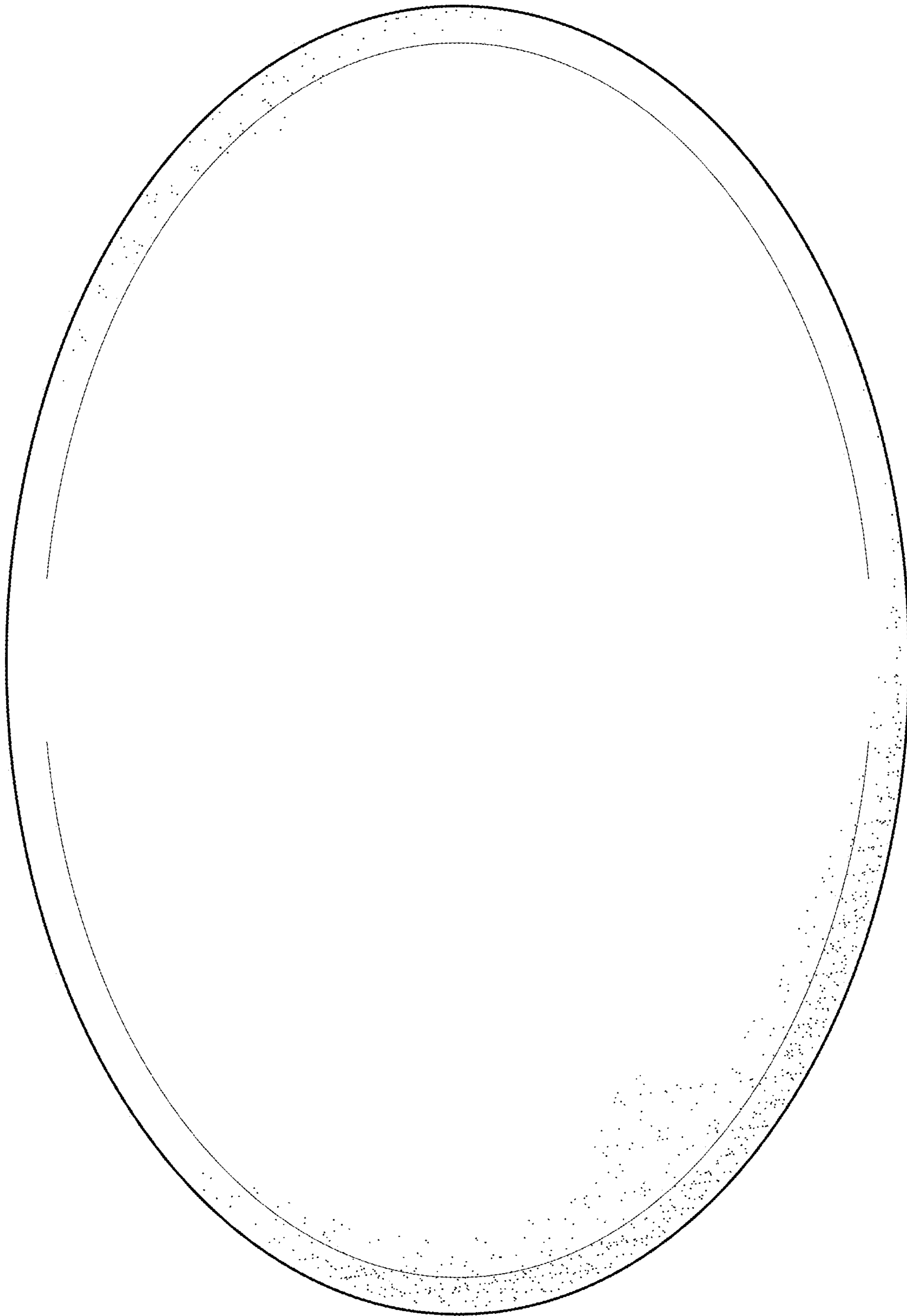


FIG. 3

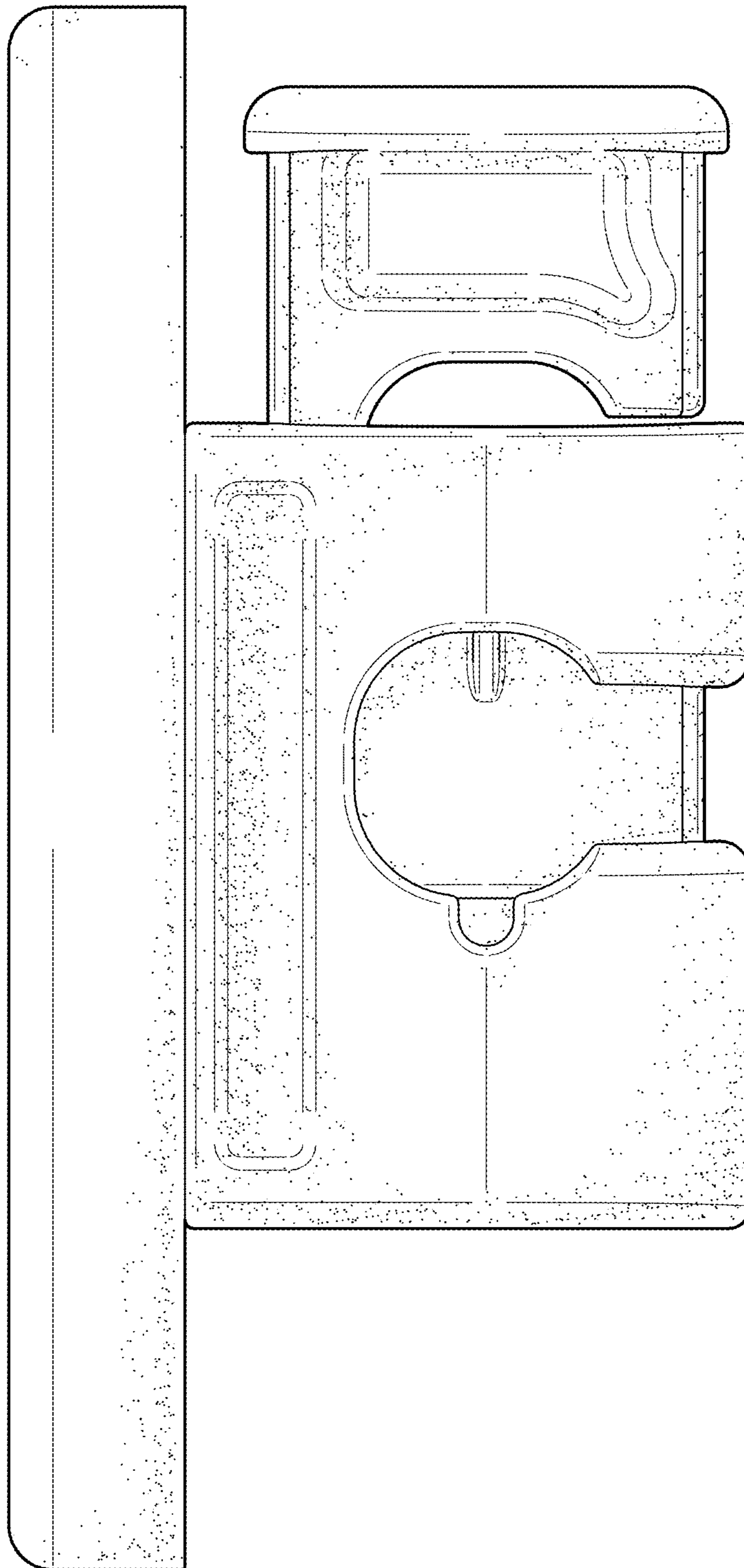


FIG. 4

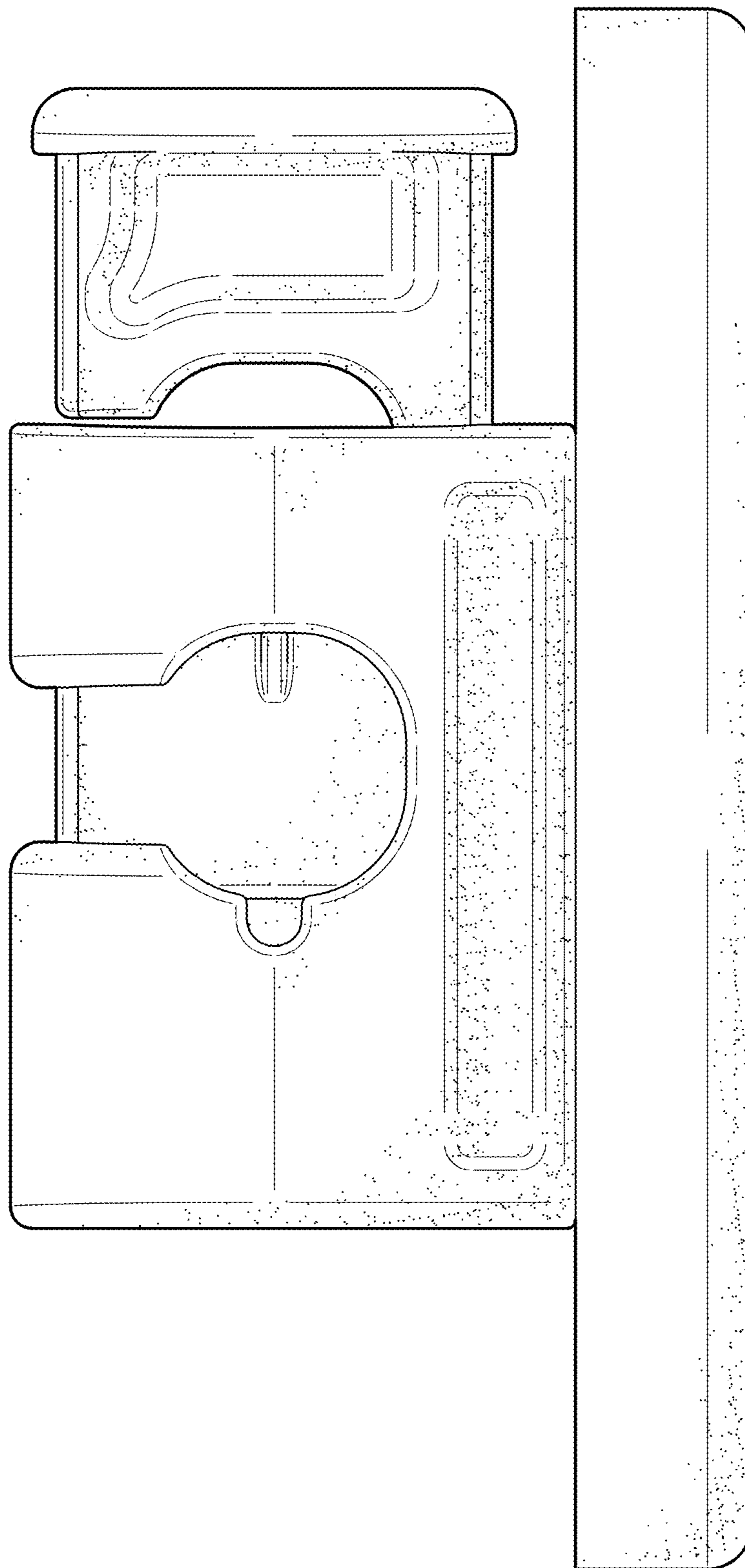


FIG. 5

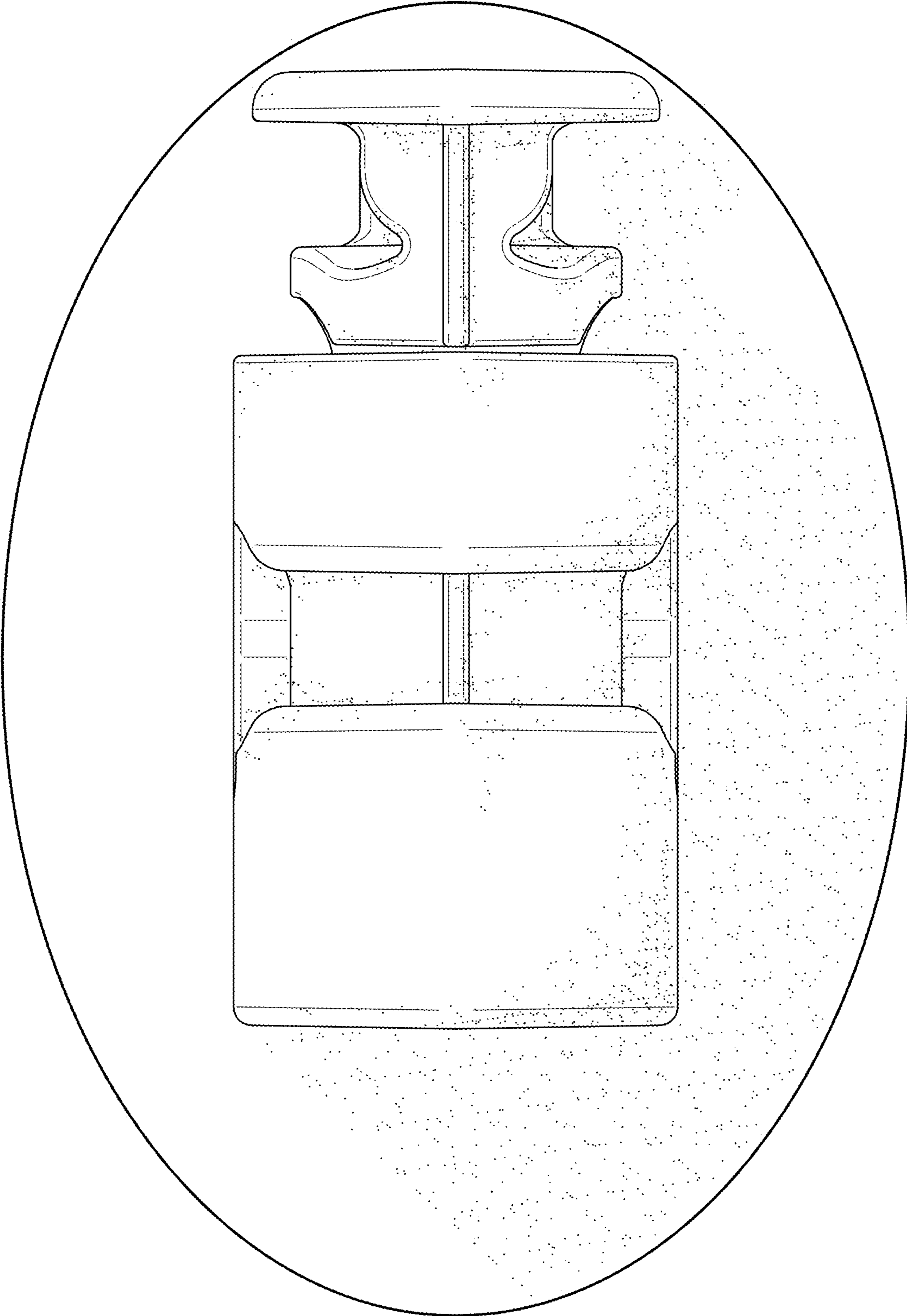


FIG. 6

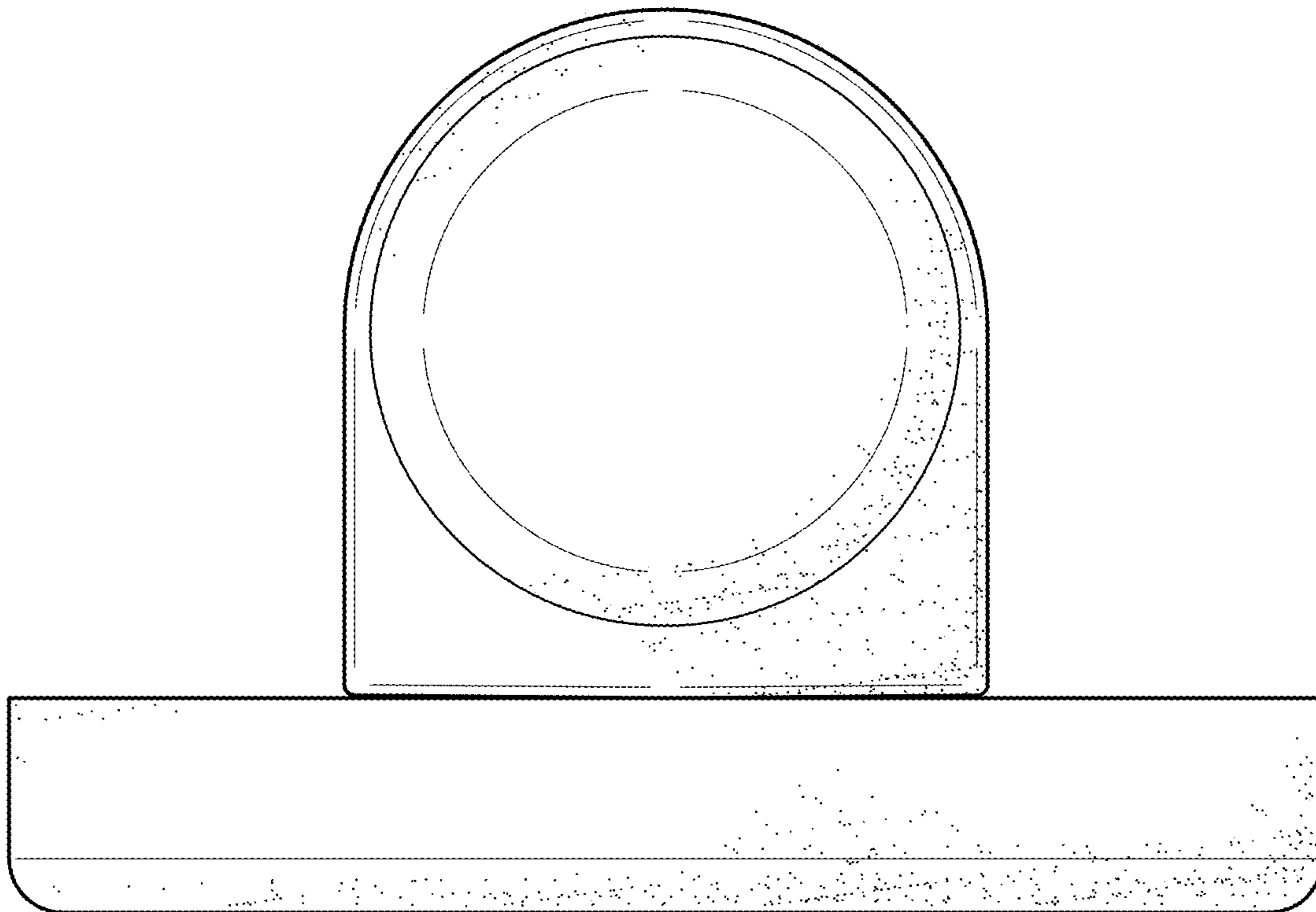


FIG. 7

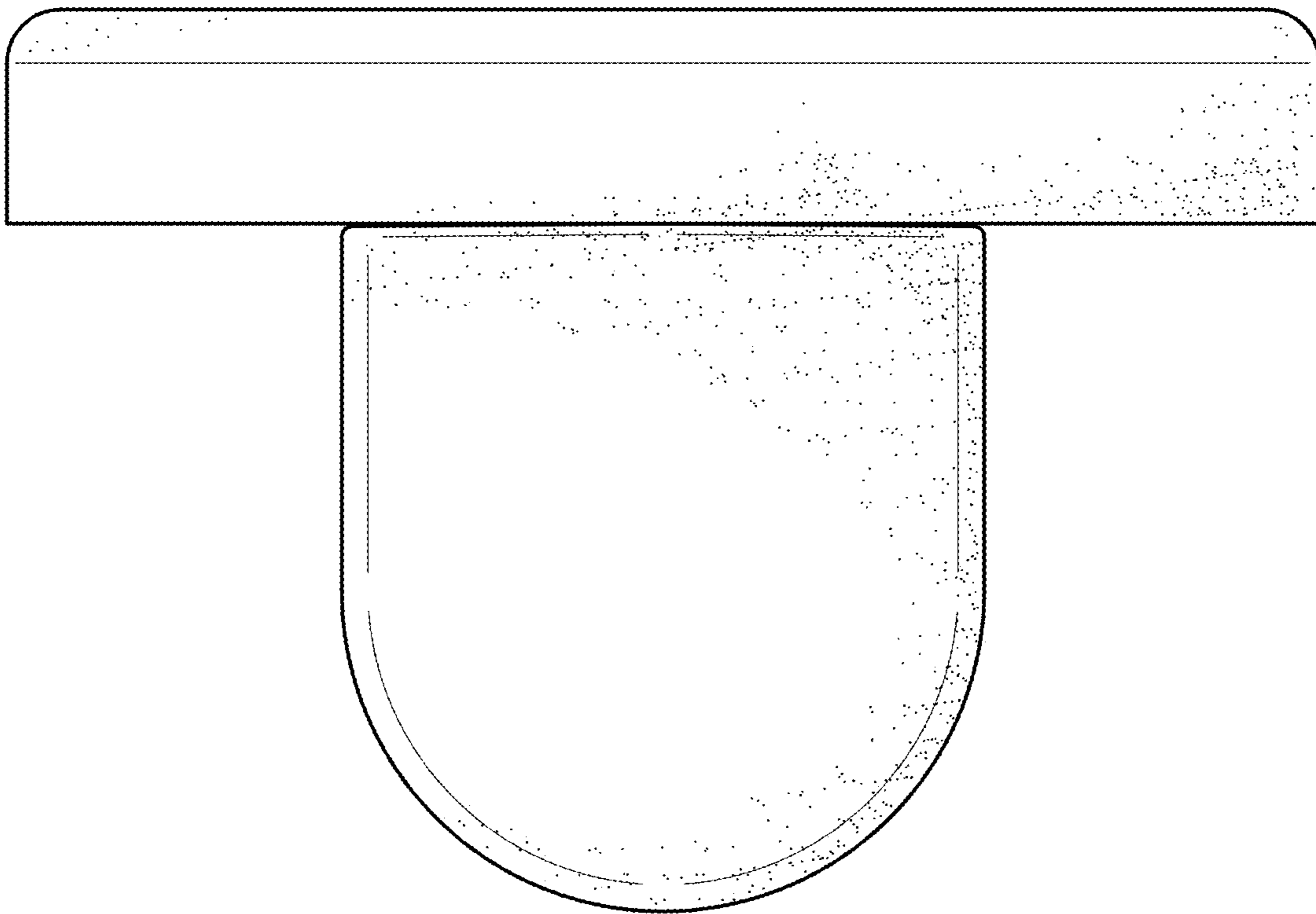


FIG. 8

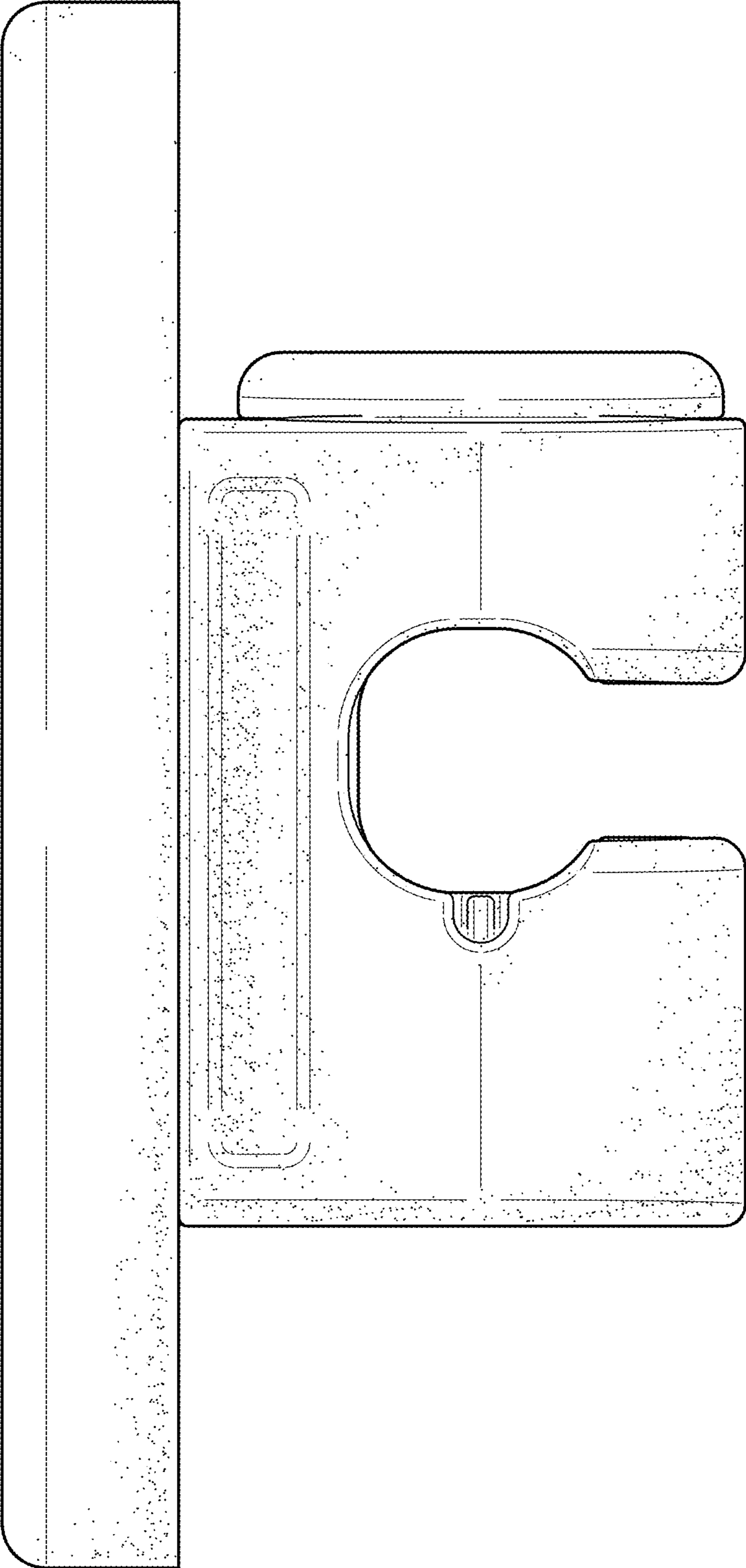


FIG. 9

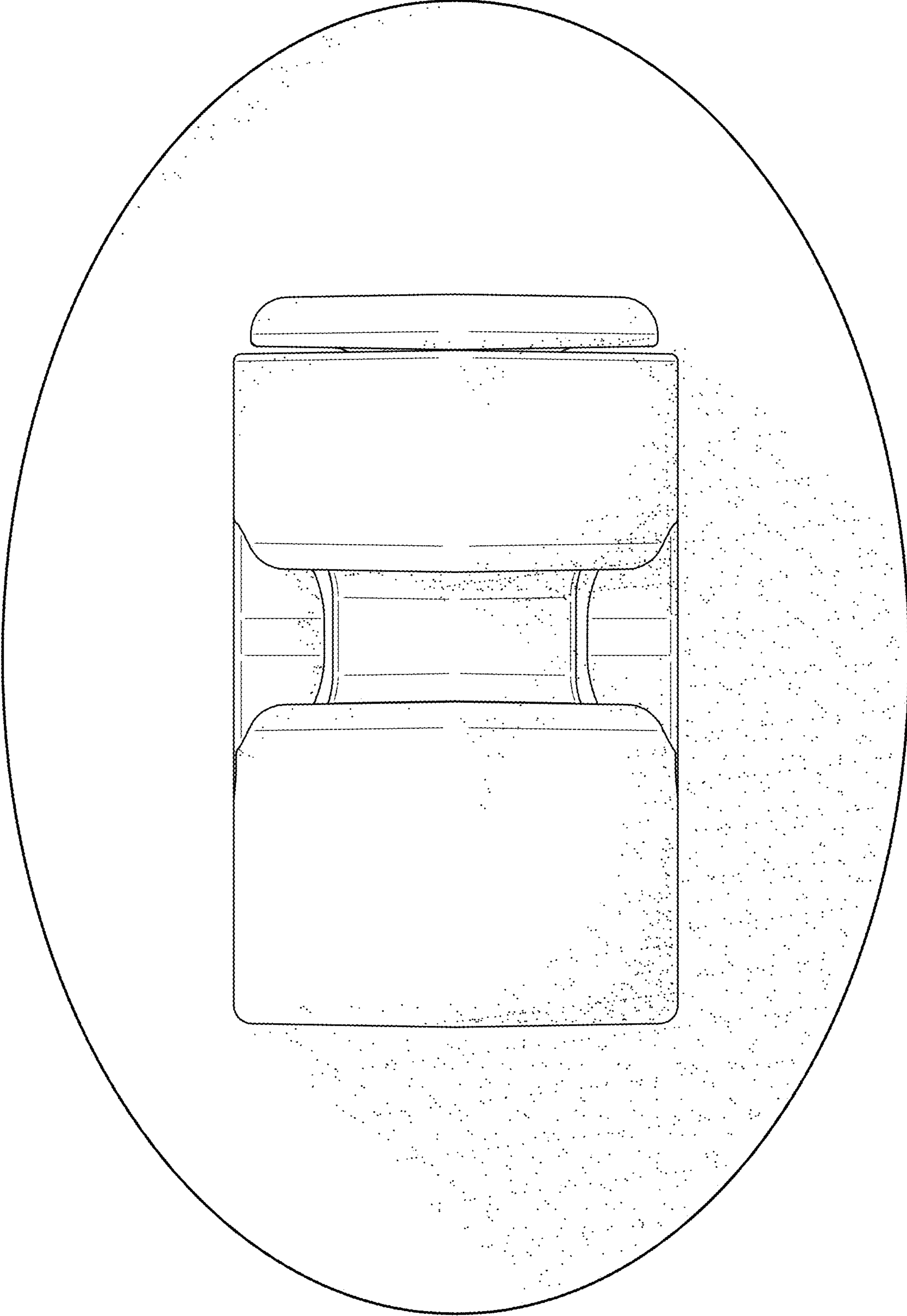


FIG. 10