



US00D902023S

(12) **United States Design Patent**
Briese

(10) **Patent No.:** **US D902,023 S**

(45) **Date of Patent:** **** Nov. 17, 2020**

(54) **MUNTIN CROSS JOINER CLIP**

(71) Applicant: **GED INTEGRATED SOLUTIONS, INC.**, Glenwillow, OH (US)

(72) Inventor: **William A. Briese**, Hinckley, OH (US)

(73) Assignee: **GED Integrated Solutions, Inc.**, Glenwillow, OH (US)

(**) Term: **15 Years**

(21) Appl. No.: **29/679,711**

(22) Filed: **Feb. 8, 2019**

(51) **LOC (12) Cl.** **08-08**

(52) **U.S. Cl.**
USPC **D8/394**; D8/354

(58) **Field of Classification Search**
USPC D8/15–29, 29.1, 29.2, 30–32, 349,
D8/382–386, 396–399, 70, 71, 70.1,
D8/72–74, 471, 83, 104–107, 354, 361,
D8/362, 360, 360.1, 363–372, 355–359,
D8/377, 394, 387; D25/48.7
CPC A61G 13/101; A47B 96/06; F16B 2/10;
F16B 45/00; F16B 2/005; A47G 25/483;
F16M 11/16; F16M 11/104; E06B 3/685;
B21B 1/38

See application file for complete search history.

(56) **References Cited**

U.S. PATENT DOCUMENTS

D561,102 S *	2/2008	Taneno	D13/133
D741,688 S *	10/2015	James	D8/349
D773,293 S *	12/2016	Ugartechea Berlanga	D8/382
D793,848 S *	8/2017	Charette	D8/354
D799,719 S *	10/2017	Staton	D25/48.7
D826,692 S *	8/2018	Macdonald	D8/349
10,138,650 B1 *	11/2018	Garcia	E04H 13/008
10,329,832 B2 *	6/2019	Briese	B32B 17/10293
D868,378 S *	11/2019	Hatchell	D28/73

D874,246 S *	2/2020	Stekr	D8/354
2009/0139164 A1 *	6/2009	Prete	E06B 3/66347
				52/204.593
2015/0335151 A1 *	11/2015	Funfgeld	F16B 12/44
				403/205

(Continued)

OTHER PUBLICATIONS

Sgaw Co. ,CRL/Somaca 3/4" Internal 4-Way Muntin Bar Joiners—3455935, [online]retrieved Jul. 24, 2020, available from internet, <https://sgawinc.com/CRL-Somaca-3-4-Internal-4-Way-Muntin-Bar-Joiners-3455935.html> (Year: 2020).*

(Continued)

Primary Examiner — Keli L Hill

Assistant Examiner — Sara S Sahneh

(74) *Attorney, Agent, or Firm* — Tarolli, Sundheim, Covell & Tummino LLP; John A. Yirga, Esq.

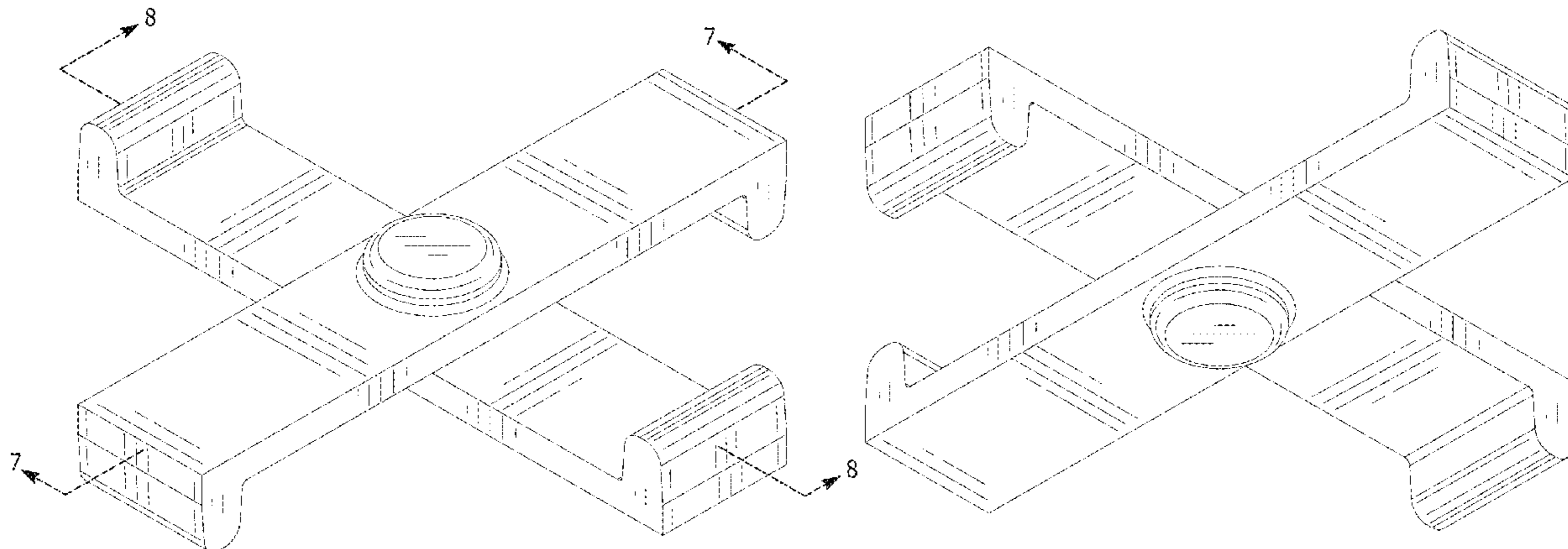
(57) **CLAIM**

The ornamental design for a muntin cross joiner clip, as shown and described.

DESCRIPTION

FIG. 1 is a top perspective view of a muntin cross joiner clip in accordance with my ornamental design;
FIG. 2 is a bottom perspective view thereof;
FIG. 3 is a top plan view thereof;
FIG. 4 is a bottom plan view thereof;
FIG. 5 is a right side elevation view thereof, the left side elevation view being a mirror image;
FIG. 6 is a front elevation view thereof, the rear side elevation view being a mirror image;
FIG. 7 is a right side elevation section view of FIG. 1 along section lines 7-7; and,
FIG. 8 is a front elevation section view of FIG. 1 along section lines 8-8.
Those portions shown in dashed lines are section lines forming no part of the claimed design.

1 Claim, 6 Drawing Sheets



(56)

References Cited

U.S. PATENT DOCUMENTS

2019/0071919 A1* 3/2019 McGlinchy B29C 48/12

OTHER PUBLICATIONS

Sgaw Co. ,CRL Internal Muntin Joiner for 36004 and 36006 Muntin—AM04, [online]retrieved Jul. 13, 2020, available from internet, <https://sgawinc.com/CRL-Internal-Muntin-Joiner-for-36004-and-36006-Muntin-AM04.html> (Year: 2020).*

Fabryka Okien Vidawo,Szpros wiederiski (Duplex) , Date first available 2014 [online]retrieved Jul. 24, 2020, available from internet, www.vidawo.pl (Year: 2014).*

* cited by examiner

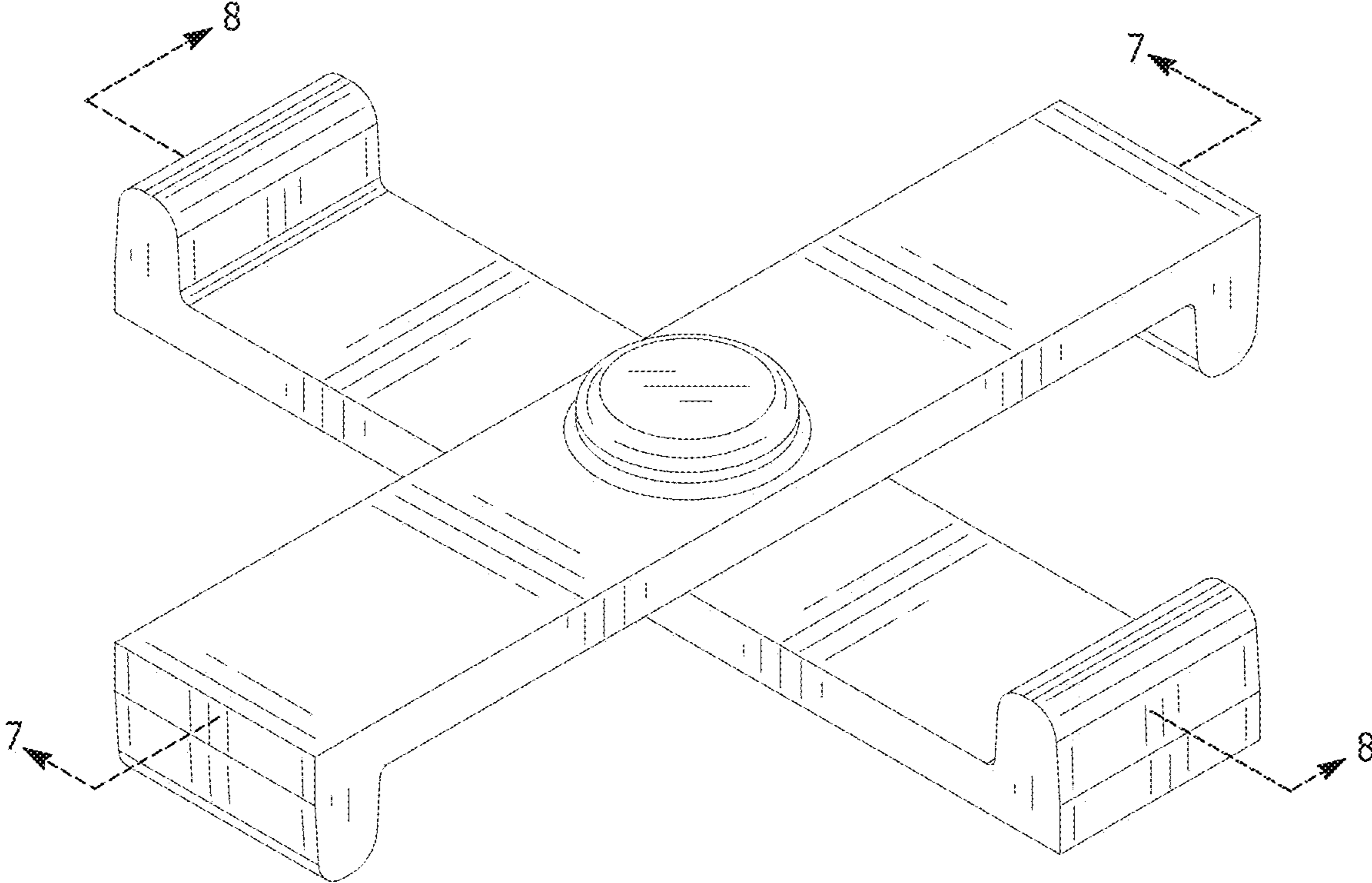


FIG. 1

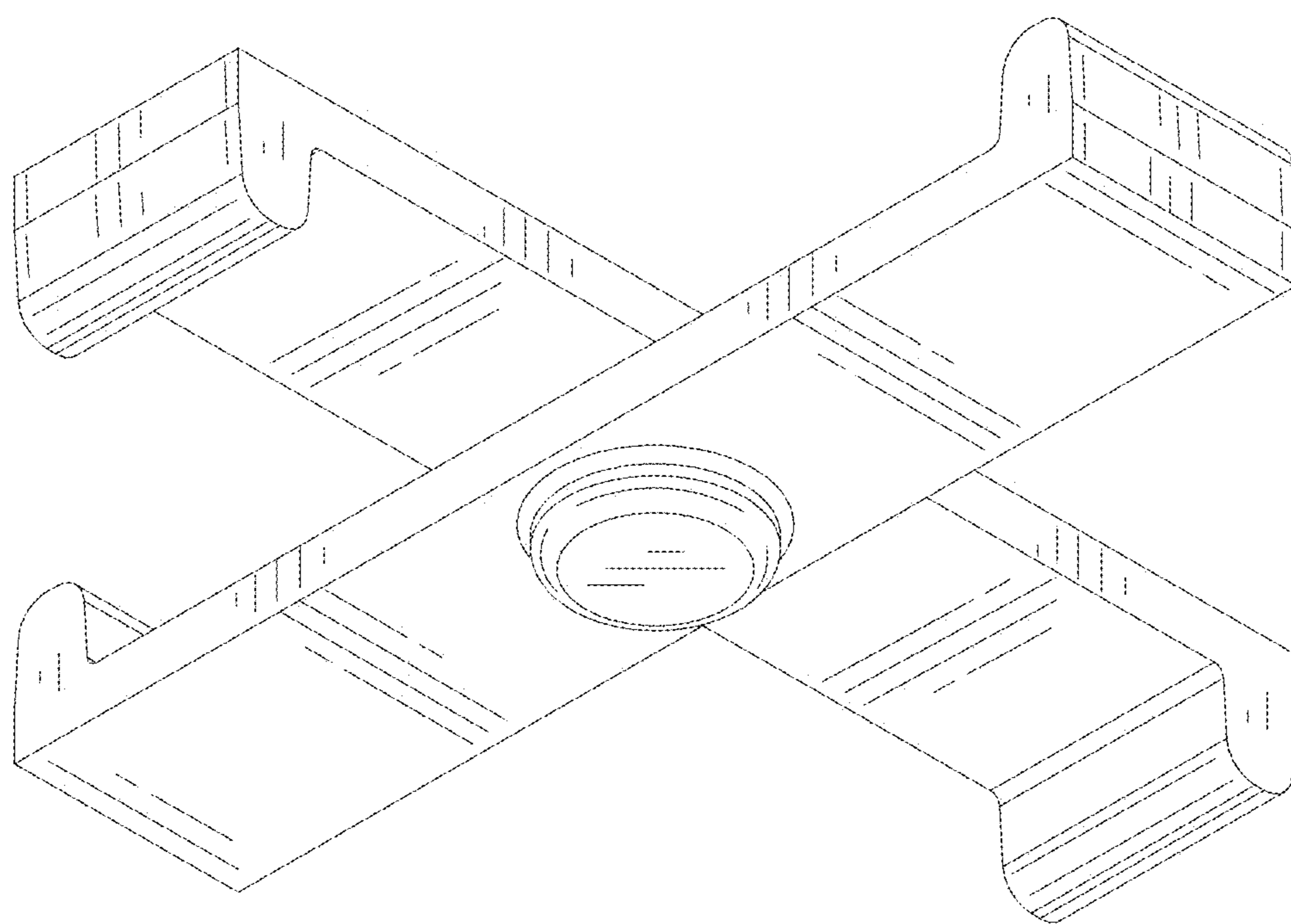


FIG. 2

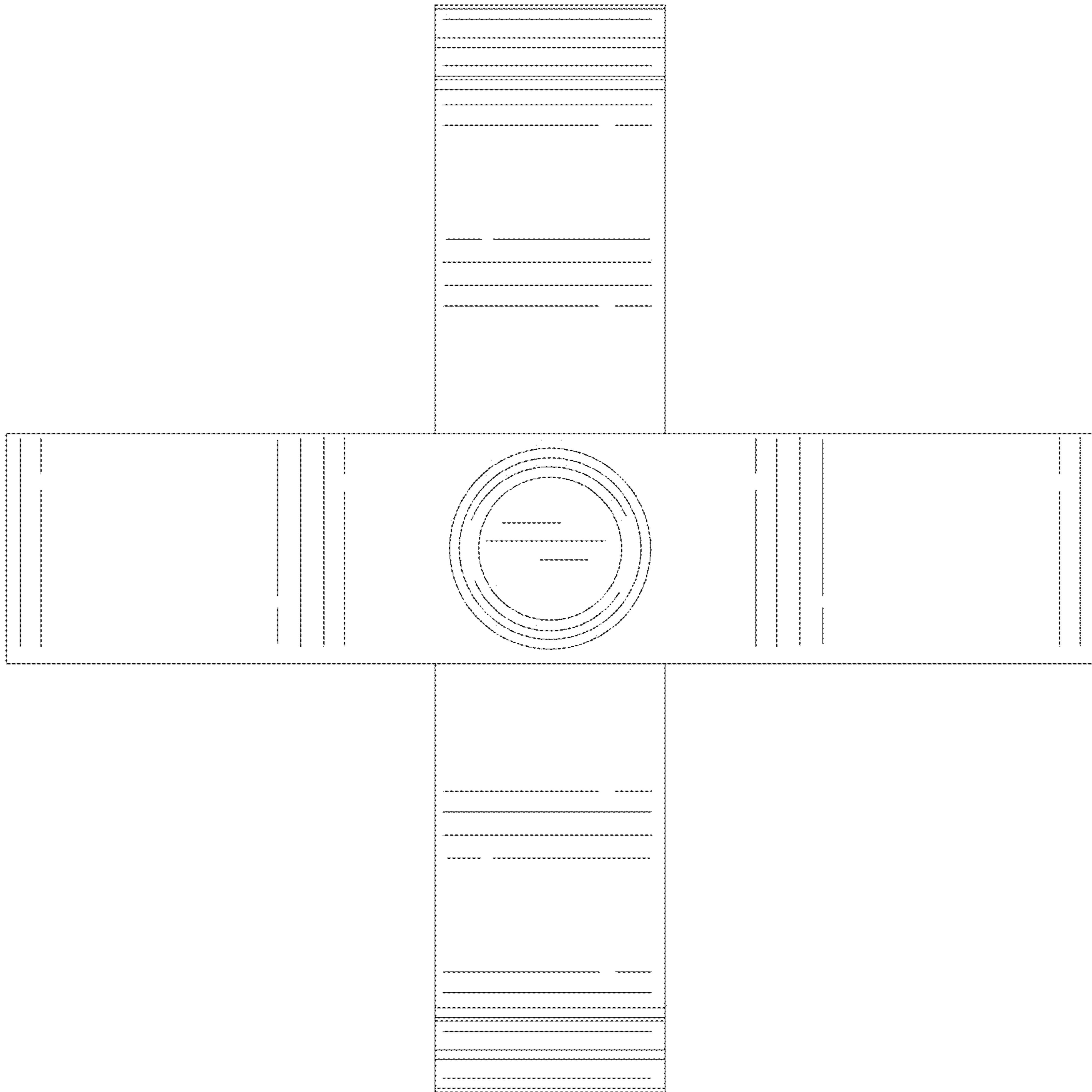


FIG. 3

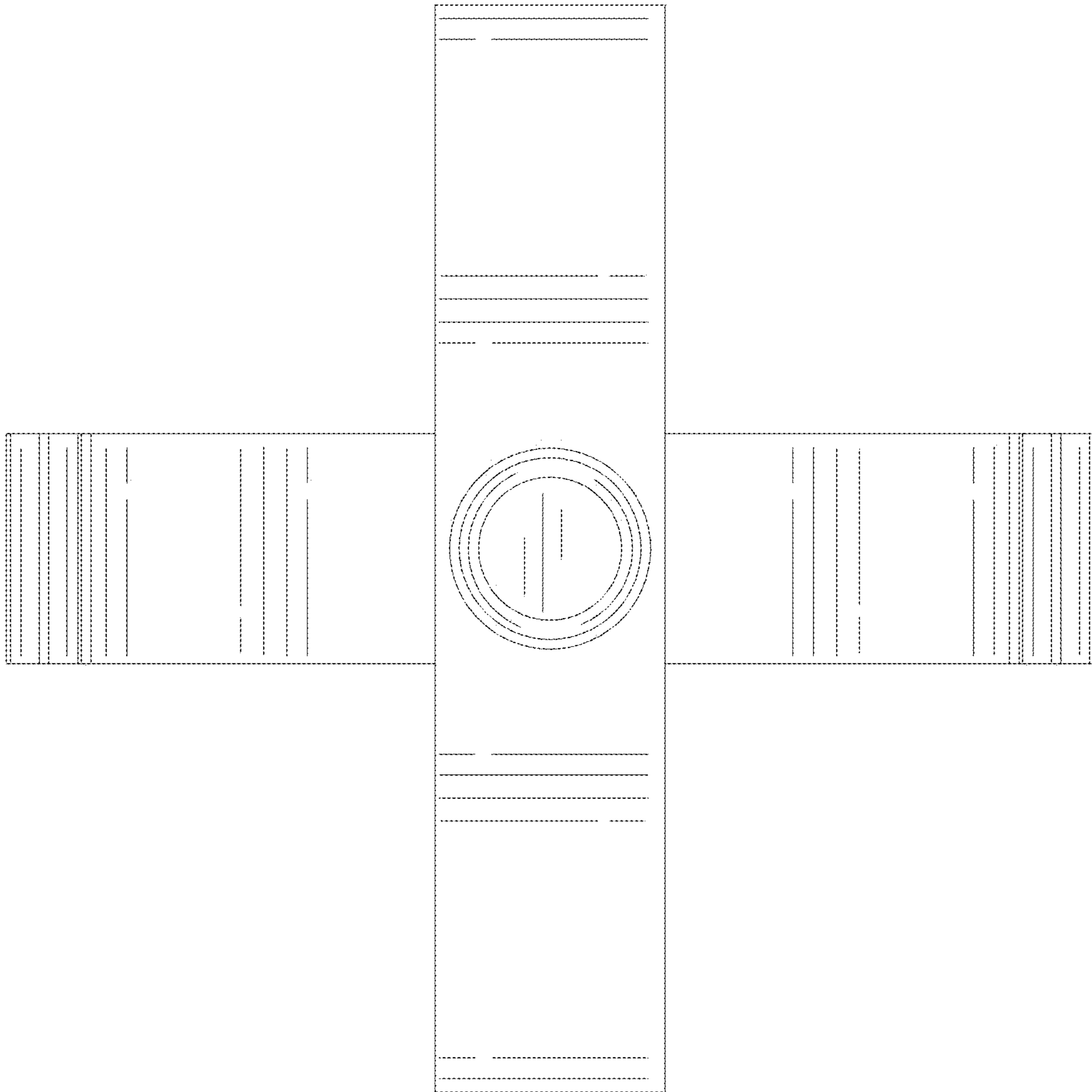


FIG. 4

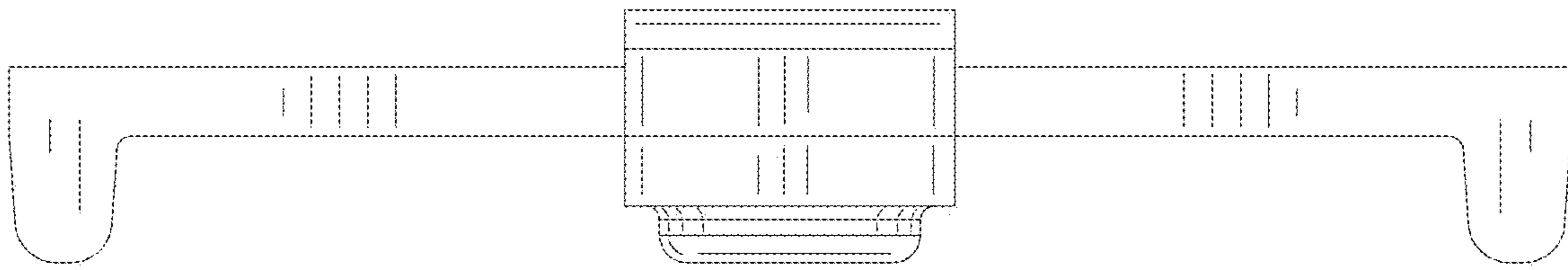


FIG. 5

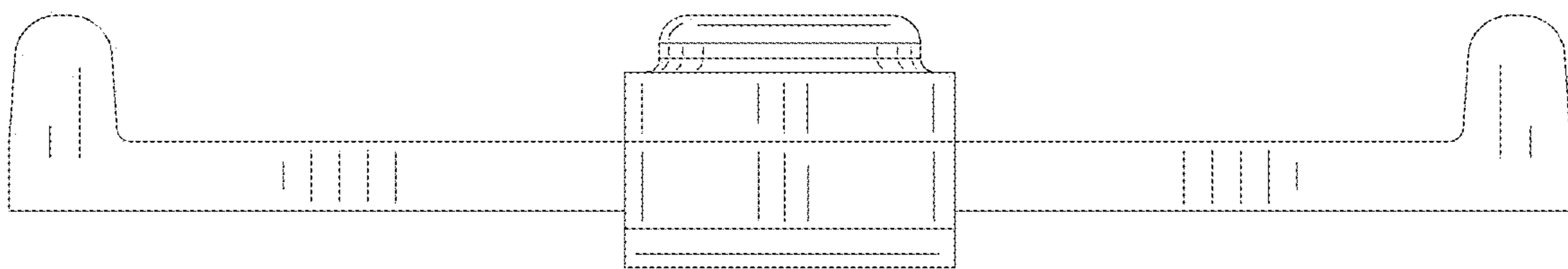


FIG. 6

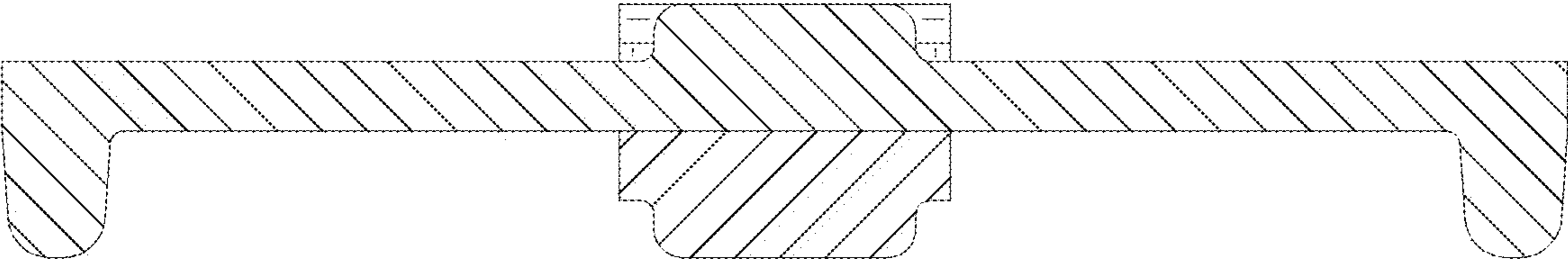


FIG. 7

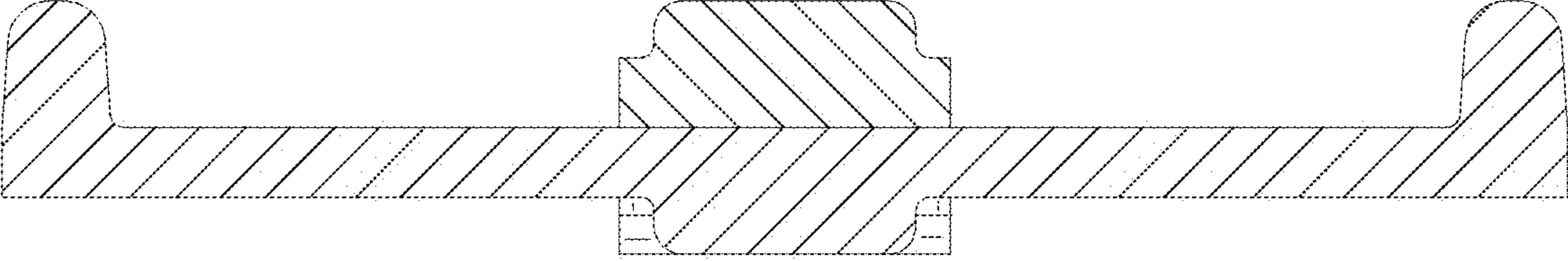


FIG. 8