

US00D902022S

(12) **United States Design Patent**
Orikawa

(10) **Patent No.:** **US D902,022 S**

(45) **Date of Patent:** **** Nov. 17, 2020**

(54) **LATCHING DEVICE FOR REMOTE
MANIPULATION**

(71) Applicant: **NAGAKI SEIKI CO., LTD.**, Daito
(JP)

(72) Inventor: **Tomohiro Orikawa**, Aomori (JP)

(73) Assignee: **NAGAKI SEIKI CO., LTD.**, Daito
(JP)

(**) Term: **15 Years**

(21) Appl. No.: **29/621,074**

(22) Filed: **Oct. 4, 2017**

(30) **Foreign Application Priority Data**

Apr. 7, 2017 (JP) 2017-007484

(51) **LOC (12) Cl.** **08-08**

(52) **U.S. Cl.**
USPC **D8/394**

(58) **Field of Classification Search**
USPC D8/394-398, 71-72, 79; D23/259-265
See application file for complete search history.

(56) **References Cited**

U.S. PATENT DOCUMENTS

D54,065 S *	11/1919	Cook	D13/120
D140,716 S *	4/1945	Phillips	D23/264
D178,911 S *	10/1956	Back	D15/140
D206,288 S *	11/1966	Blakely	D8/396
D294,457 S *	3/1988	Doty	D8/373
D297,112 S *	8/1988	Holdaway	D8/373
D337,934 S *	8/1993	Young	D8/355
D355,114 S *	2/1995	Wizman	D8/71
D365,512 S *	12/1995	Mason	D8/394
D385,469 S *	10/1997	Borgstrom	D8/72
D387,073 S *	12/1997	Mori	D15/140
D393,417 S *	4/1998	Glickman	D8/382

D443,493 S *	6/2001	Skeem	D8/72
D461,710 S *	8/2002	Heltzer	D8/354
D556,530 S *	12/2007	Workman	D8/72
D592,304 S *	5/2009	Kuehfuss	D24/128
D638,696 S *	5/2011	Kubota	D8/394
D668,522 S *	10/2012	Henderson	D8/73
8,733,027 B1 *	5/2014	Marston	F24S 25/636 52/24
D740,920 S *	10/2015	Nakamura	D23/259
D749,940 S *	2/2016	Hermle	D8/394

(Continued)

FOREIGN PATENT DOCUMENTS

IN 297284-0001 * 8/2018

OTHER PUBLICATIONS

Nagaki Seiki Ratchet Puller, website 2018, <http://ngk-nagaki.com/product3.html>, site visited Mar. 31, 2019.*

Primary Examiner — John R Yeh

(74) *Attorney, Agent, or Firm* — Rabin & Berdo, P.C.

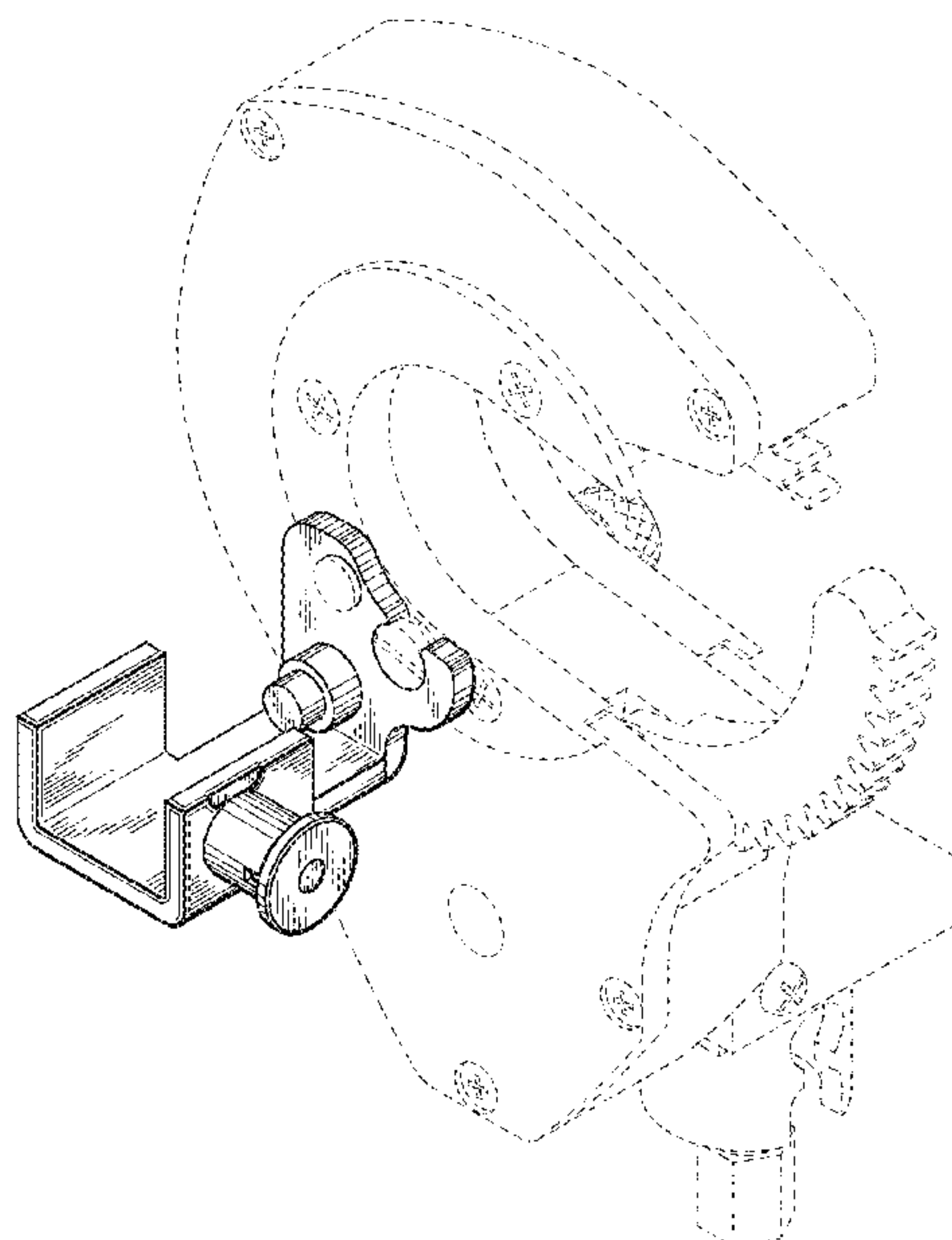
(57) **CLAIM**

The ornamental design for a latching device for remote manipulation, as shown and described.

DESCRIPTION

FIG. 1 is a front view of the latching device for remote manipulation;
FIG. 2 is a rear view thereof;
FIG. 3 is a top view thereof;
FIG. 4 is a bottom view thereof;
FIG. 5 is a right side view thereof;
FIG. 6 is a left side view thereof; and,
FIG. 7 is a perspective view thereof.
The broken lines illustrate portions of the latching device for remote manipulation and form no part of the claimed design.

1 Claim, 7 Drawing Sheets



(56)

References Cited

U.S. PATENT DOCUMENTS

D766,075	S *	9/2016	Milbank	D8/383
D767,983	S *	10/2016	Jiang	D8/394
D782,928	S *	4/2017	Takakuwa	D10/103
9,746,011	B2 *	8/2017	Jiang	F16B 2/065
10,174,511	B2 *	1/2019	Lutes	F16M 13/022
D841,277	S *	2/2019	Chintalapalli Patta	D34/35
D860,628	S *	9/2019	Hu	D3/10
2009/0051090	A1 *	2/2009	Barnes, Jr.	B23K 37/0533 269/8

* cited by examiner

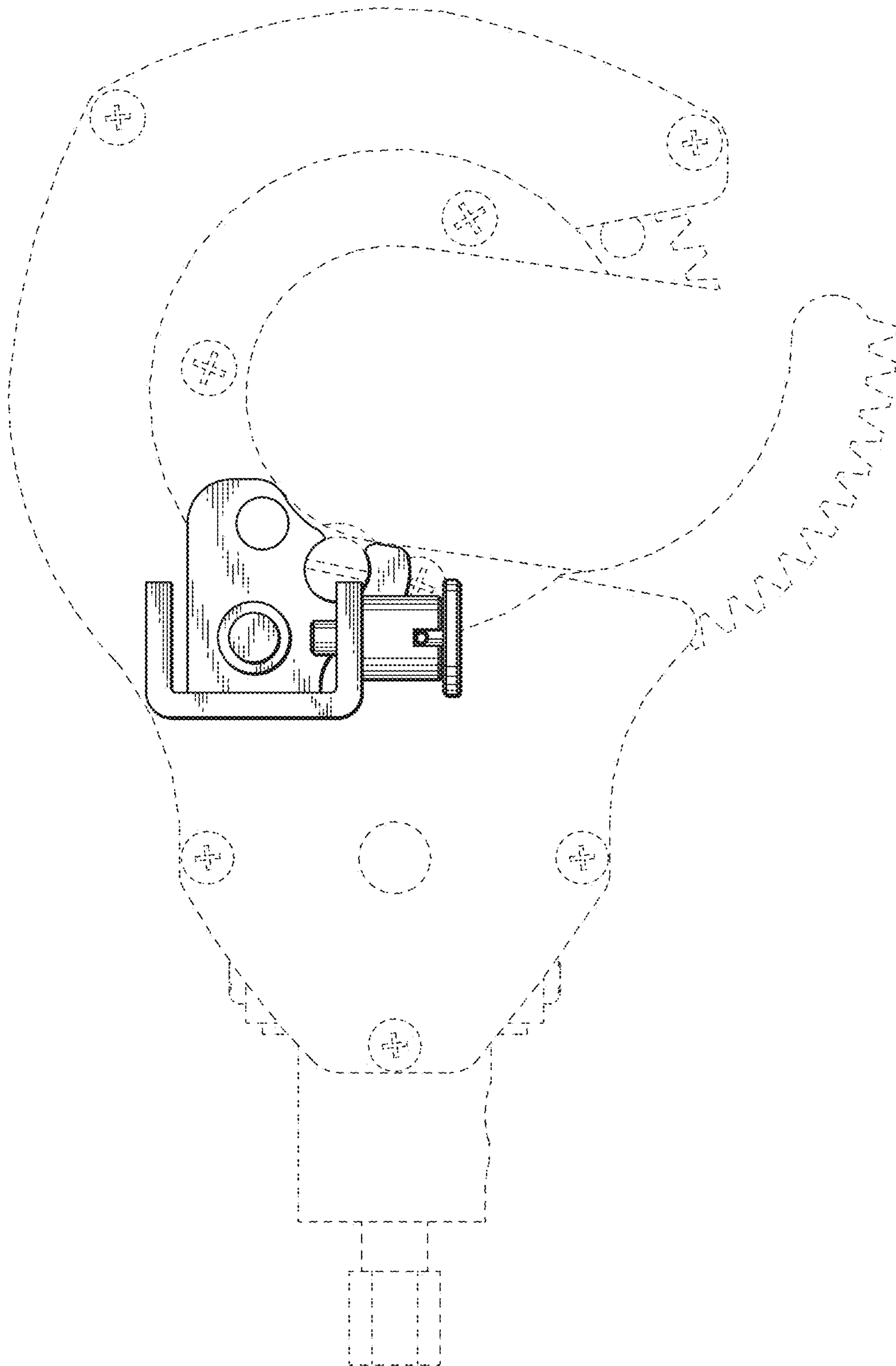


FIG. 1

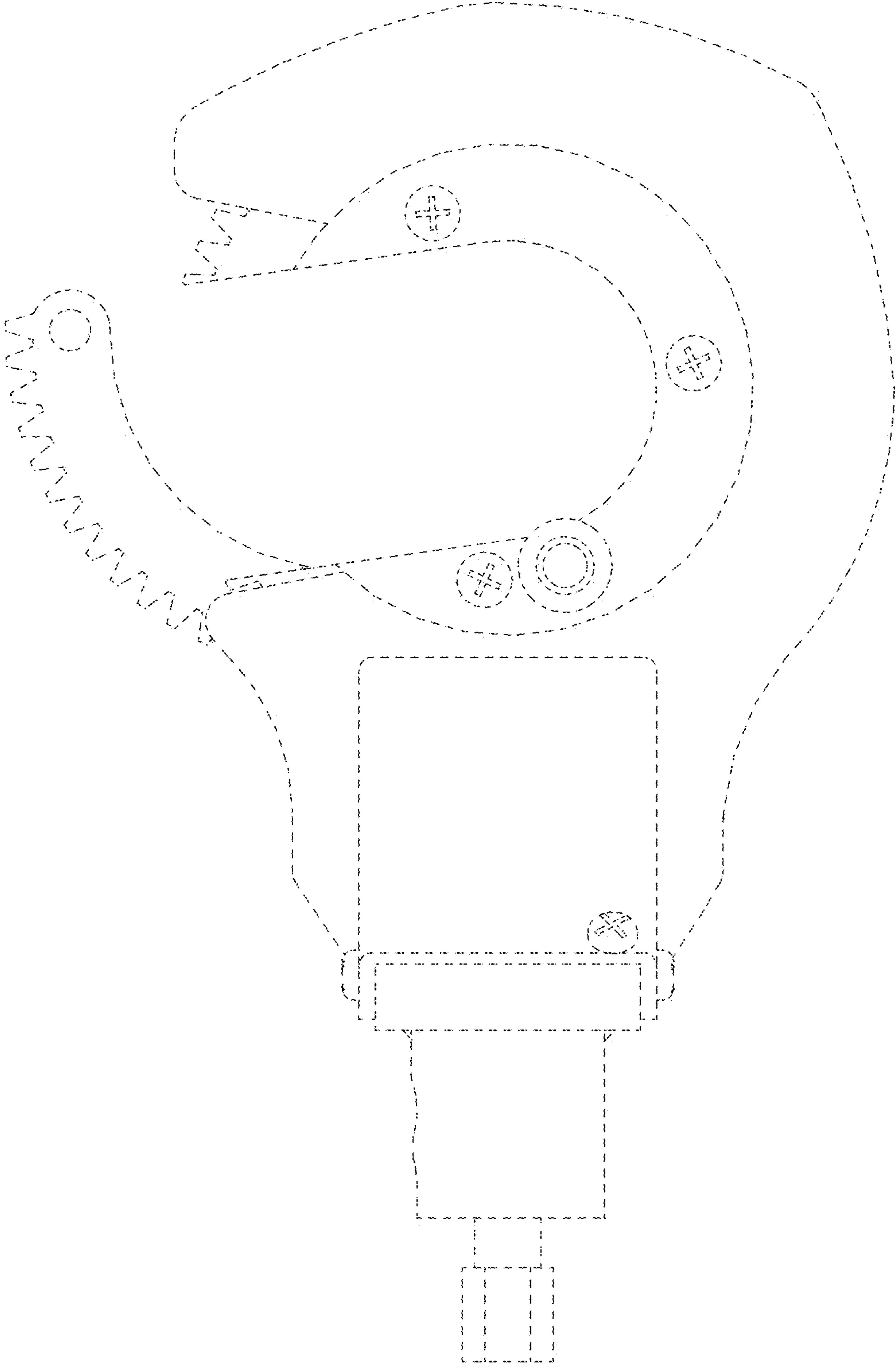


FIG. 2

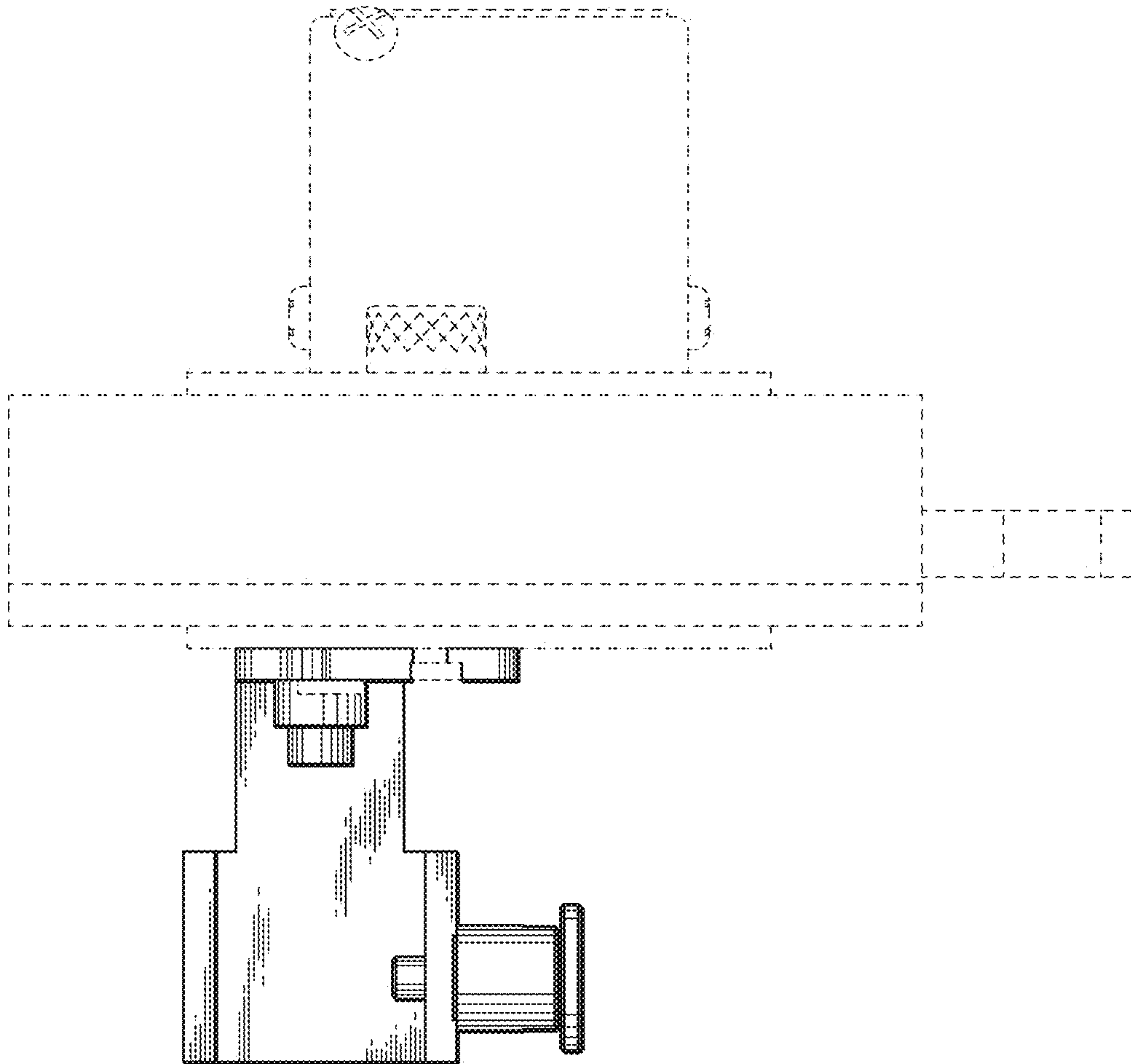


FIG. 3

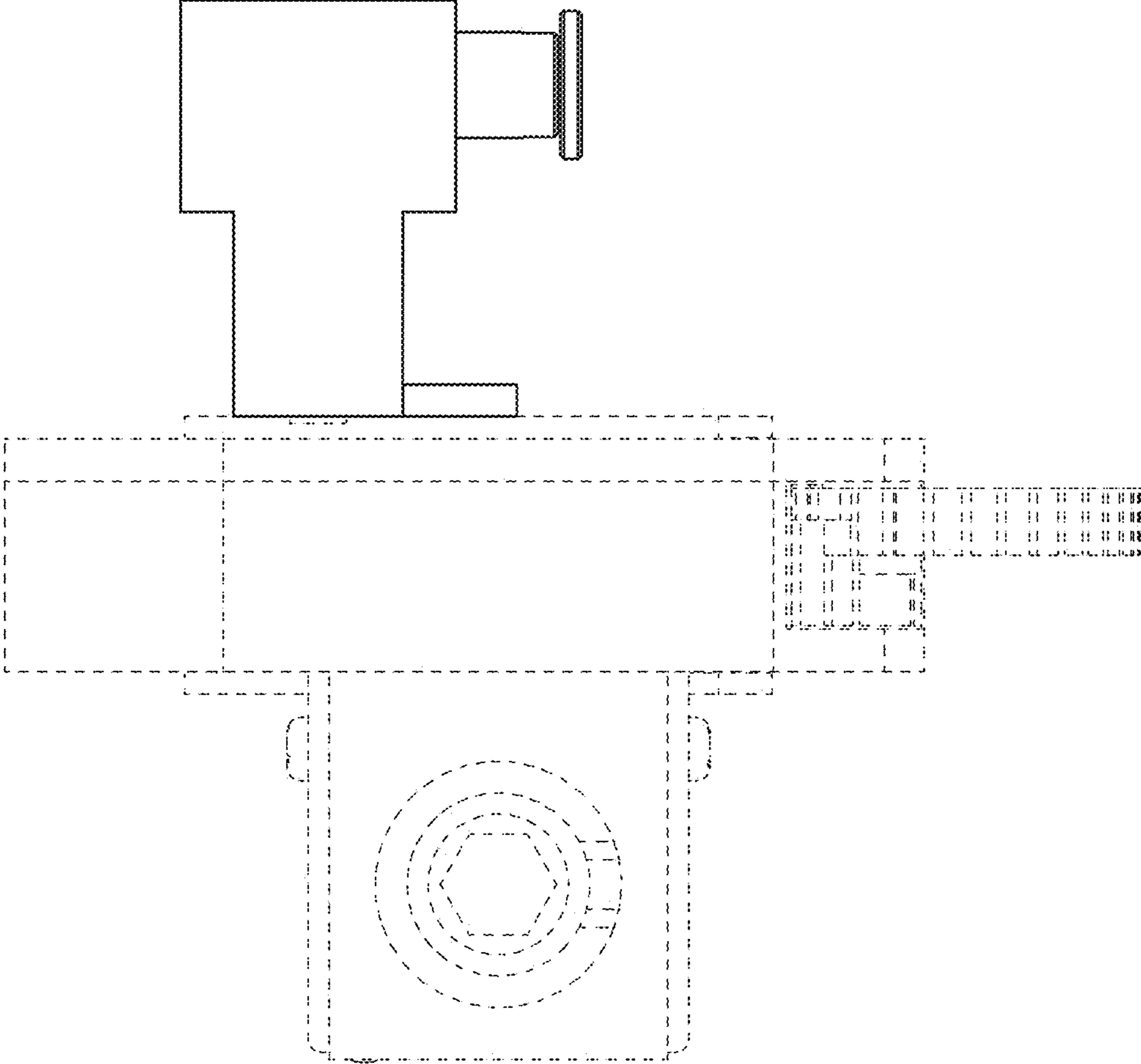


FIG. 4

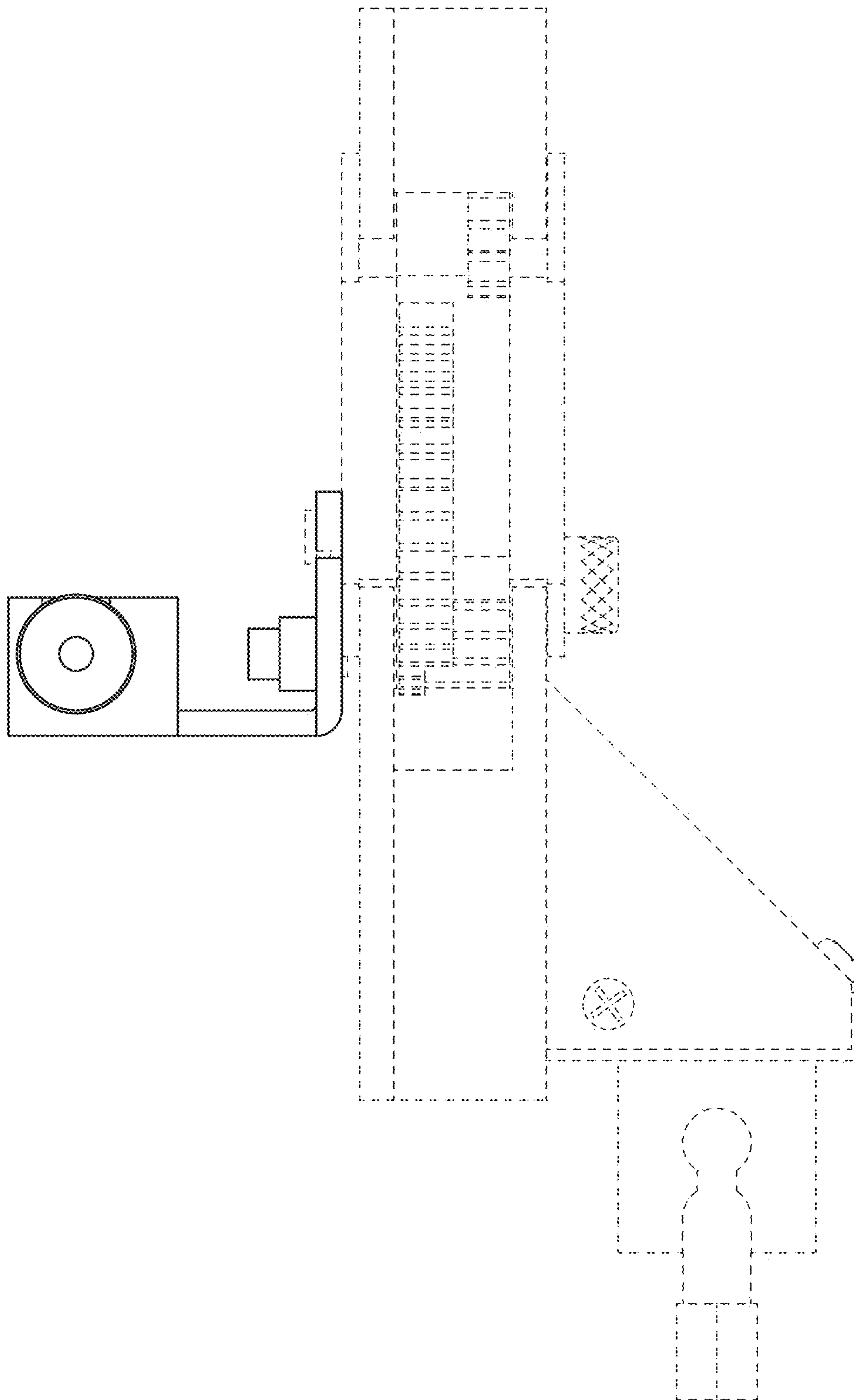


FIG. 5

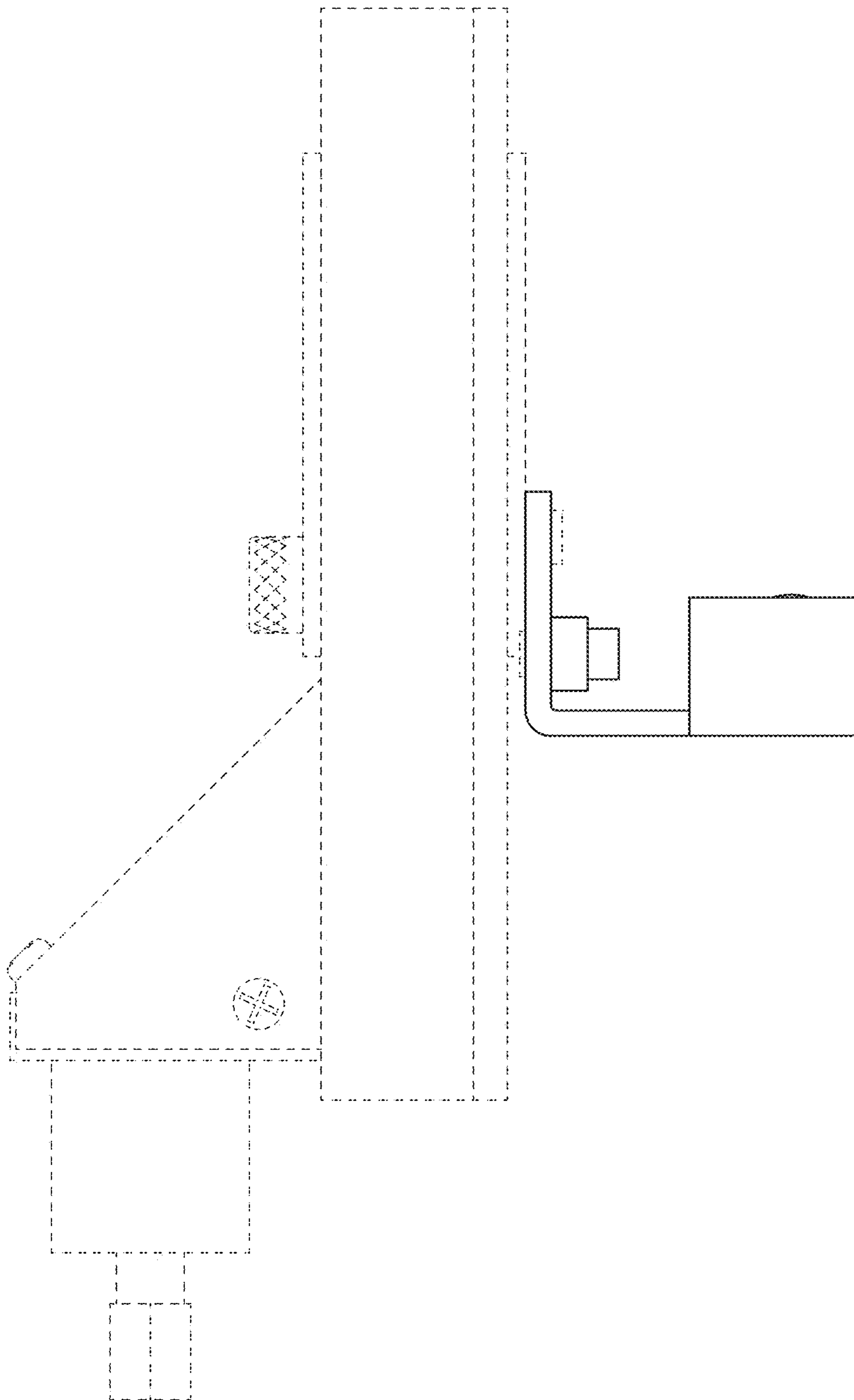


FIG. 6

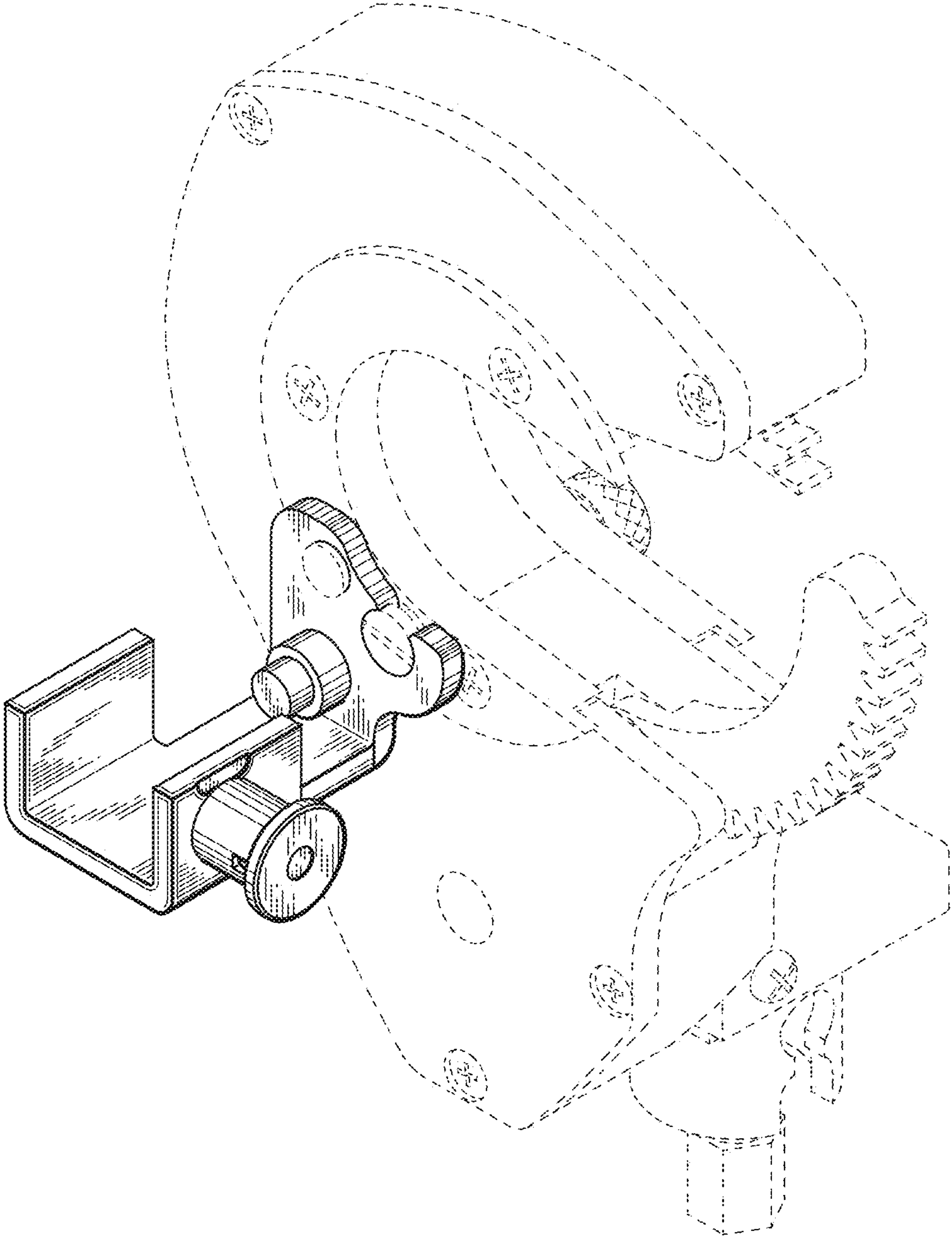


FIG. 7