



US00D902021S

(12) **United States Design Patent**
Walker et al.

(10) **Patent No.:** **US D902,021 S**

(45) **Date of Patent:** **** Nov. 17, 2020**

(54) **POLE MOUNTING SYSTEM FOR LOCKABLE KEY HOUSING**
(71) Applicants: **Marion Kelly Walker**, Rogers, AR (US); **David Lee McClure**, Rogers, AR (US)

(72) Inventors: **Marion Kelly Walker**, Rogers, AR (US); **David Lee McClure**, Rogers, AR (US)

(**) Term: **15 Years**

(21) Appl. No.: **29/659,702**

(22) Filed: **Aug. 10, 2018**

(51) **LOC (12) Cl.** **08-08**

(52) **U.S. Cl.**
USPC **D8/382**

(58) **Field of Classification Search**
USPC D8/330, 331, 333, 382
CPC . E05B 9/08; E05B 15/00; E05B 15/02; E05B 17/20
See application file for complete search history.

(56) **References Cited**

U.S. PATENT DOCUMENTS

D323,612 S * 2/1992 Rau D8/333
6,109,279 A * 8/2000 Kloss A47B 37/04
135/16

8,037,630 B2 * 10/2011 Crookham G09F 15/0037
40/607.01
8,094,520 B2 * 1/2012 Bradley G10K 11/006
367/173
D878,190 S * 3/2020 Nolfi D8/382
D880,992 S * 4/2020 Netke D8/382

* cited by examiner

Primary Examiner — Doris Clark
(74) *Attorney, Agent, or Firm* — Schrantz Law Firm, PLLC; Stephen D. Schrantz

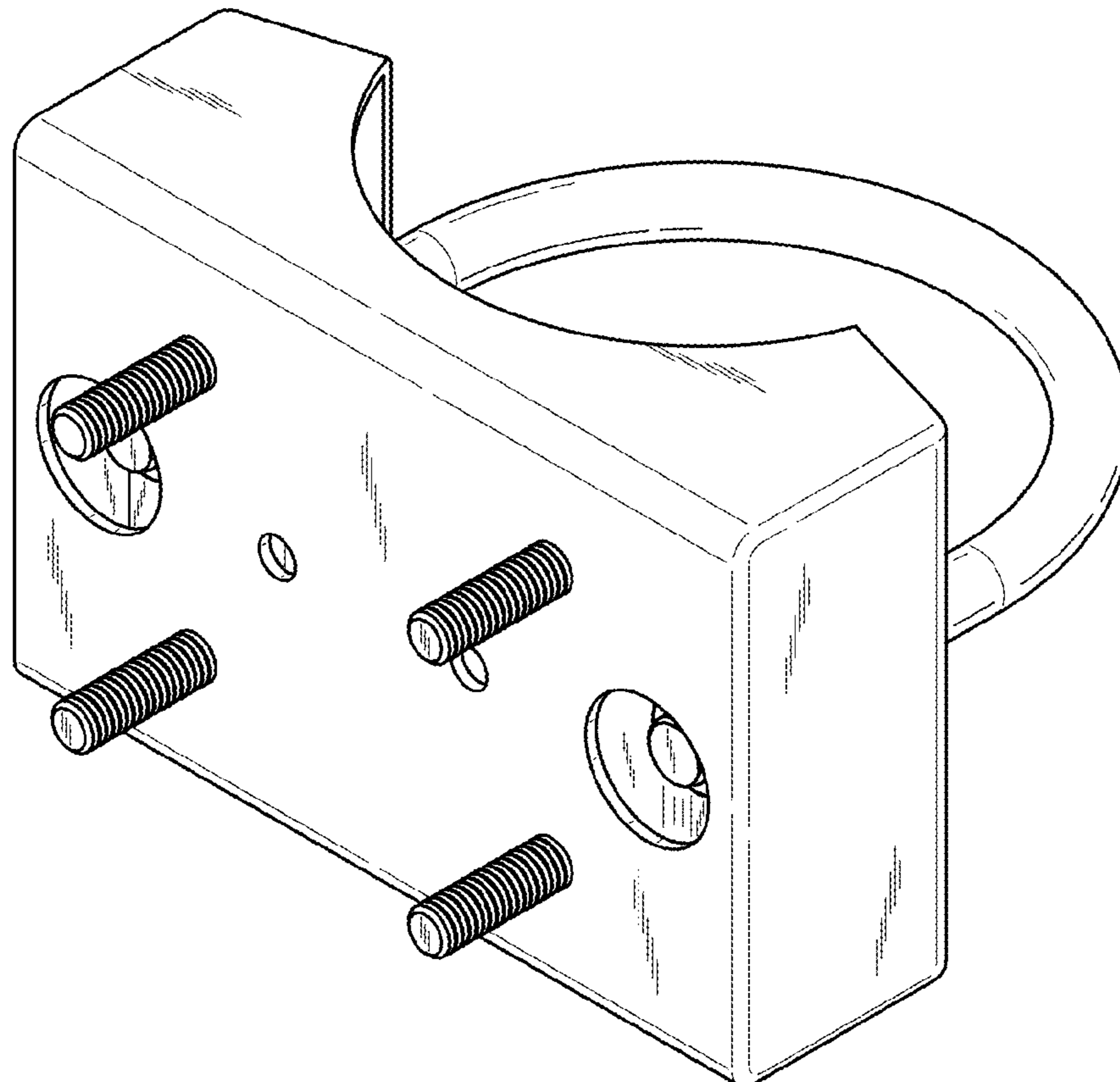
(57) **CLAIM**

The ornamental design for a pole mounting system for lockable key housing, as shown and described.

DESCRIPTION

FIG. 1 is a front perspective view showing my new design; FIG. 2 is a rear perspective thereof; FIG. 3 is a rear perspective view thereof; FIG. 4 is a partial front perspective view thereof; FIG. 5 is a top view thereof; FIG. 6 is a front view thereof; FIG. 7 is a bottom view thereof; FIG. 8 is a rear view thereof; FIG. 9 is a left side view thereof; FIG. 10 is a right side view thereof; FIG. 11 is an environmental view thereof; and, FIG. 12 is an environmental view thereof. Portions shown in broken line are for illustrative purposes only and form no part of the claimed design.

1 Claim, 7 Drawing Sheets



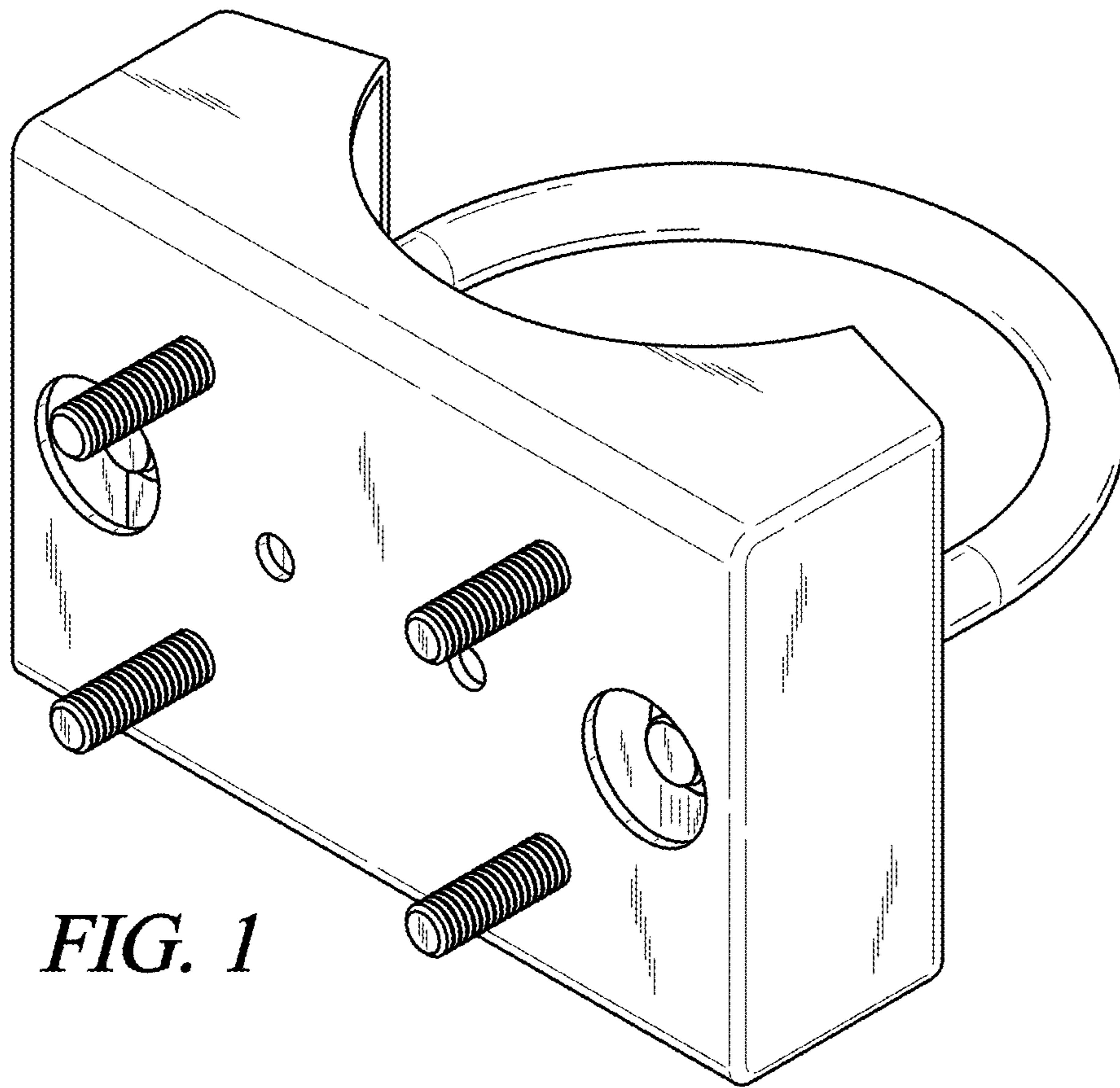


FIG. 1

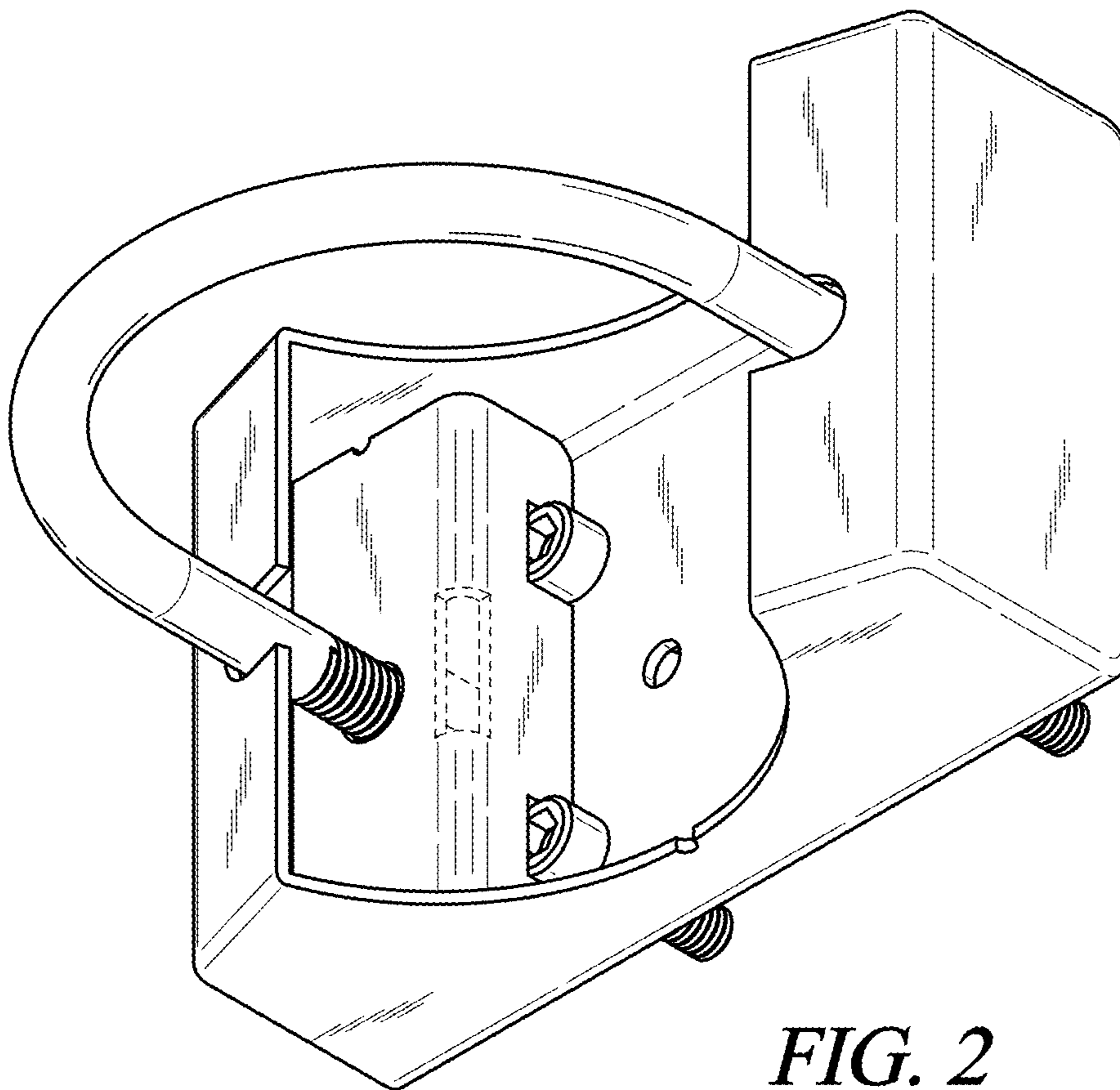


FIG. 2

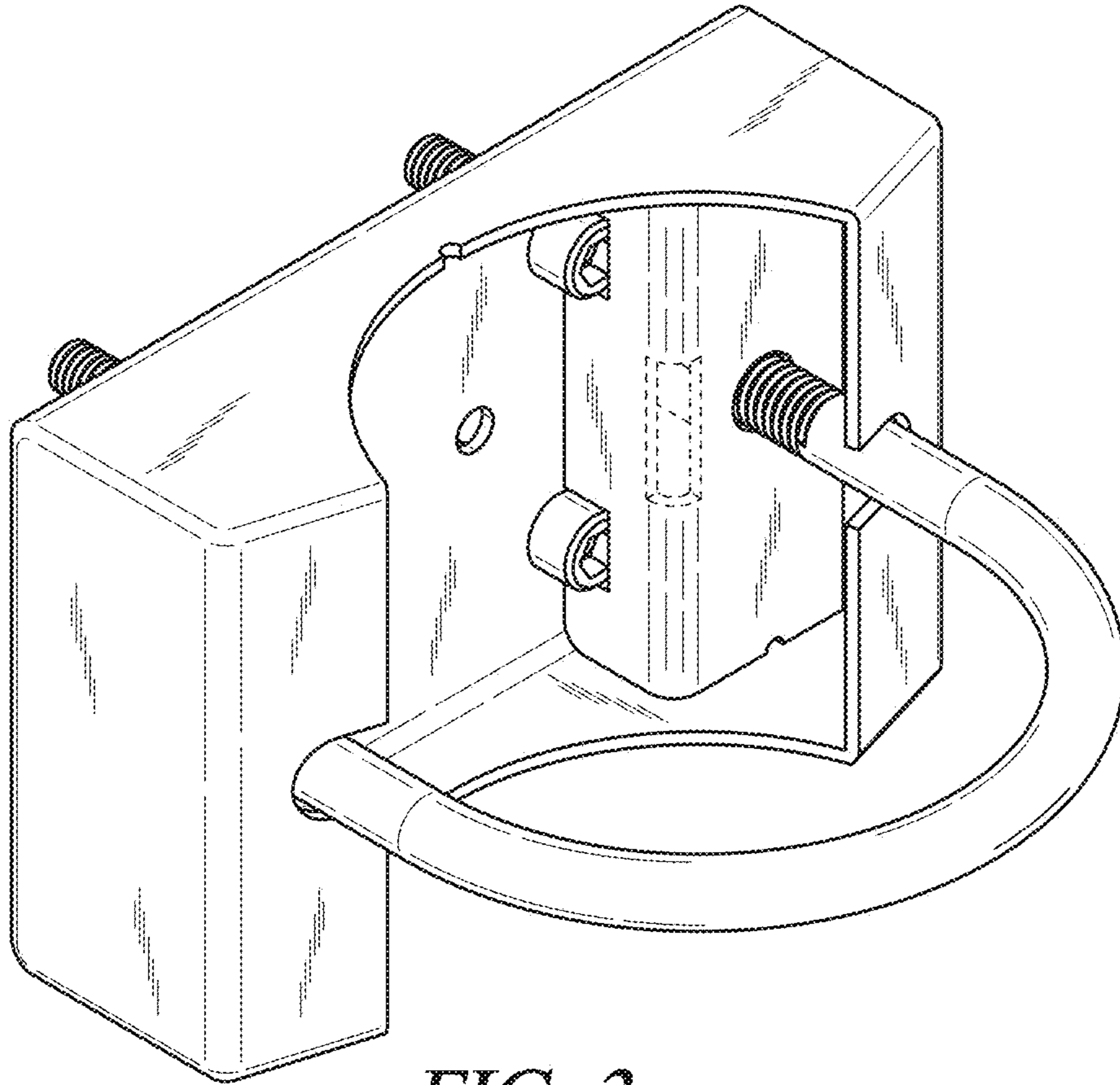


FIG. 3

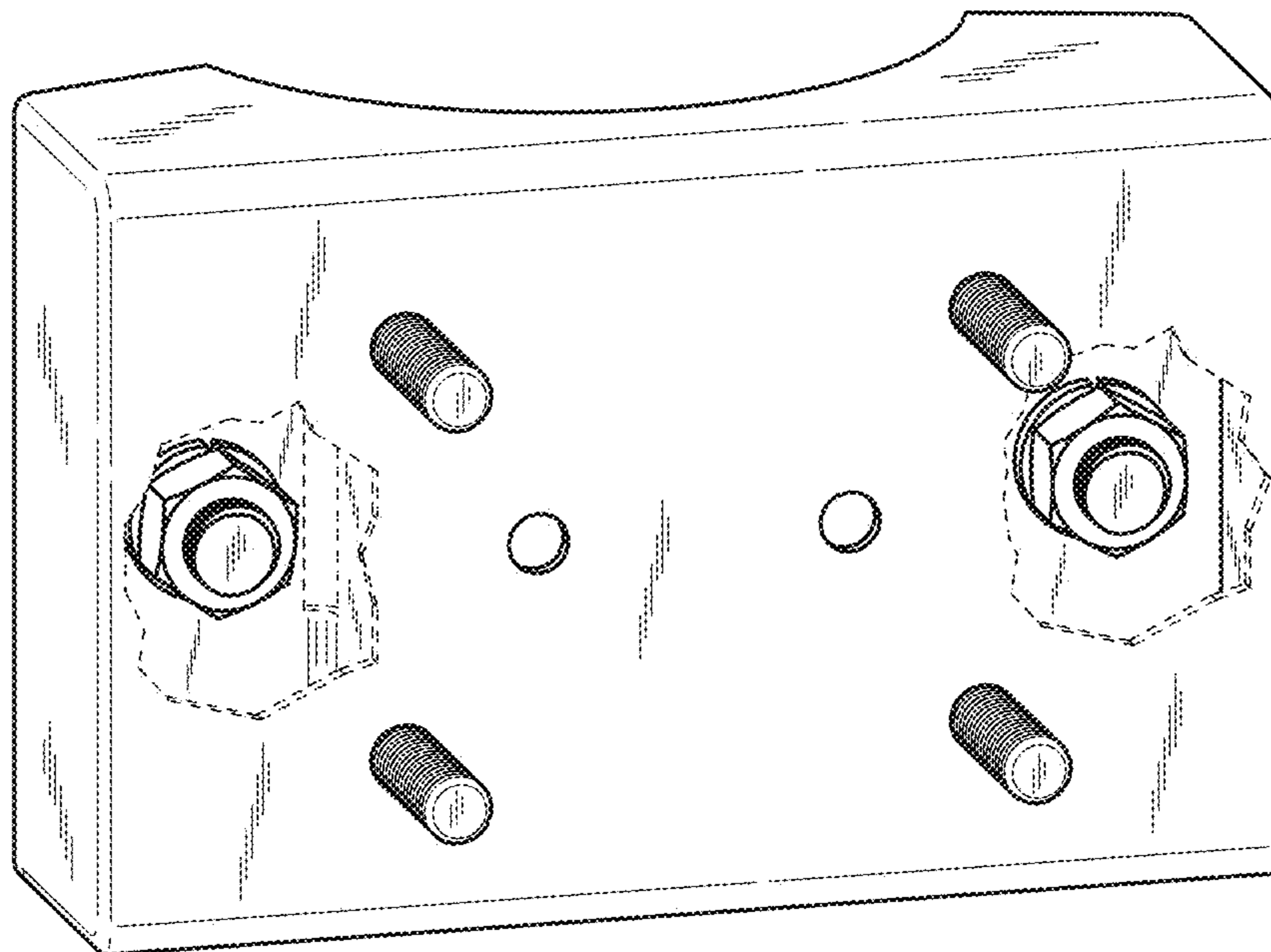


FIG. 4

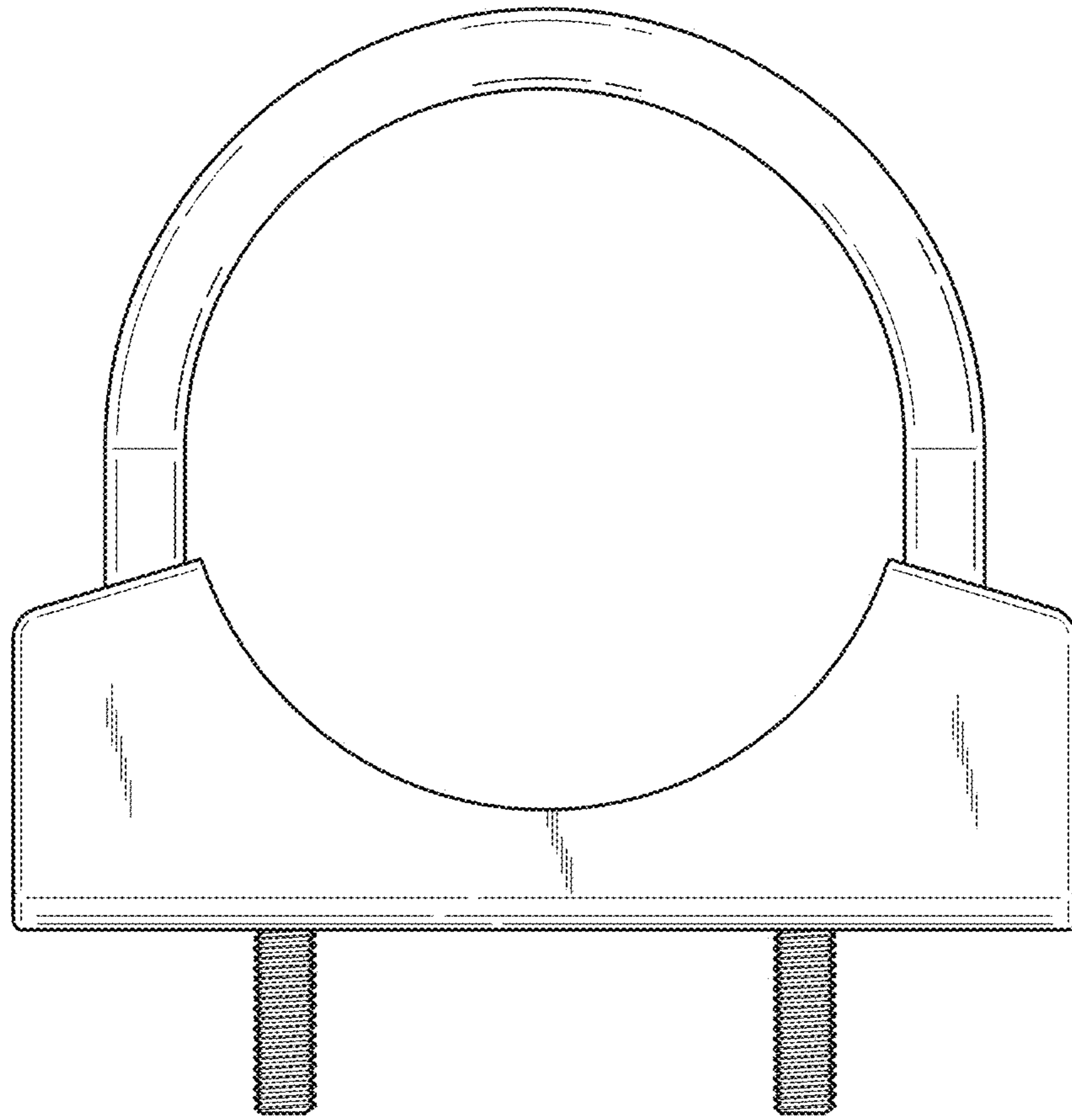


FIG. 5

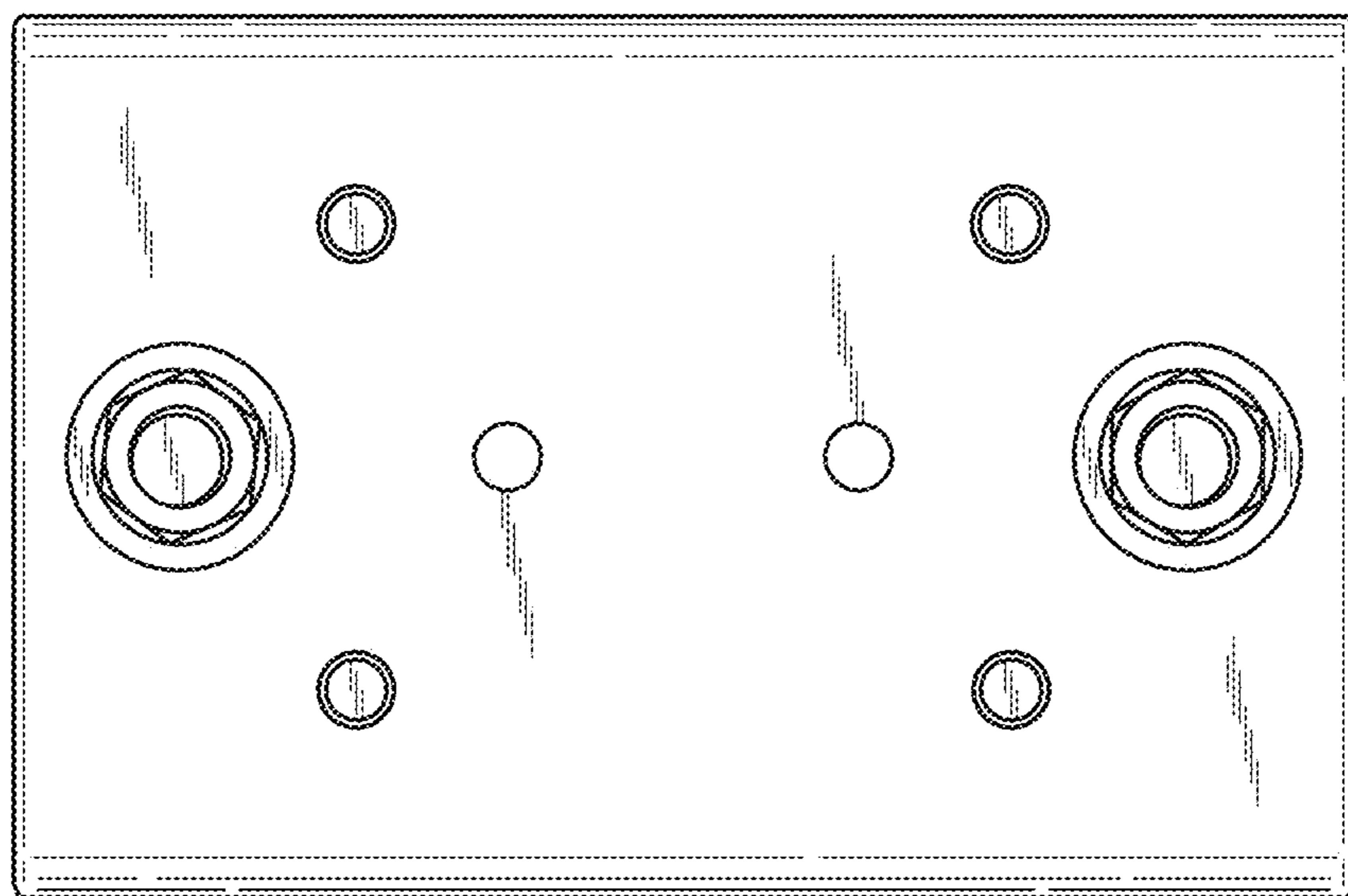


FIG. 6

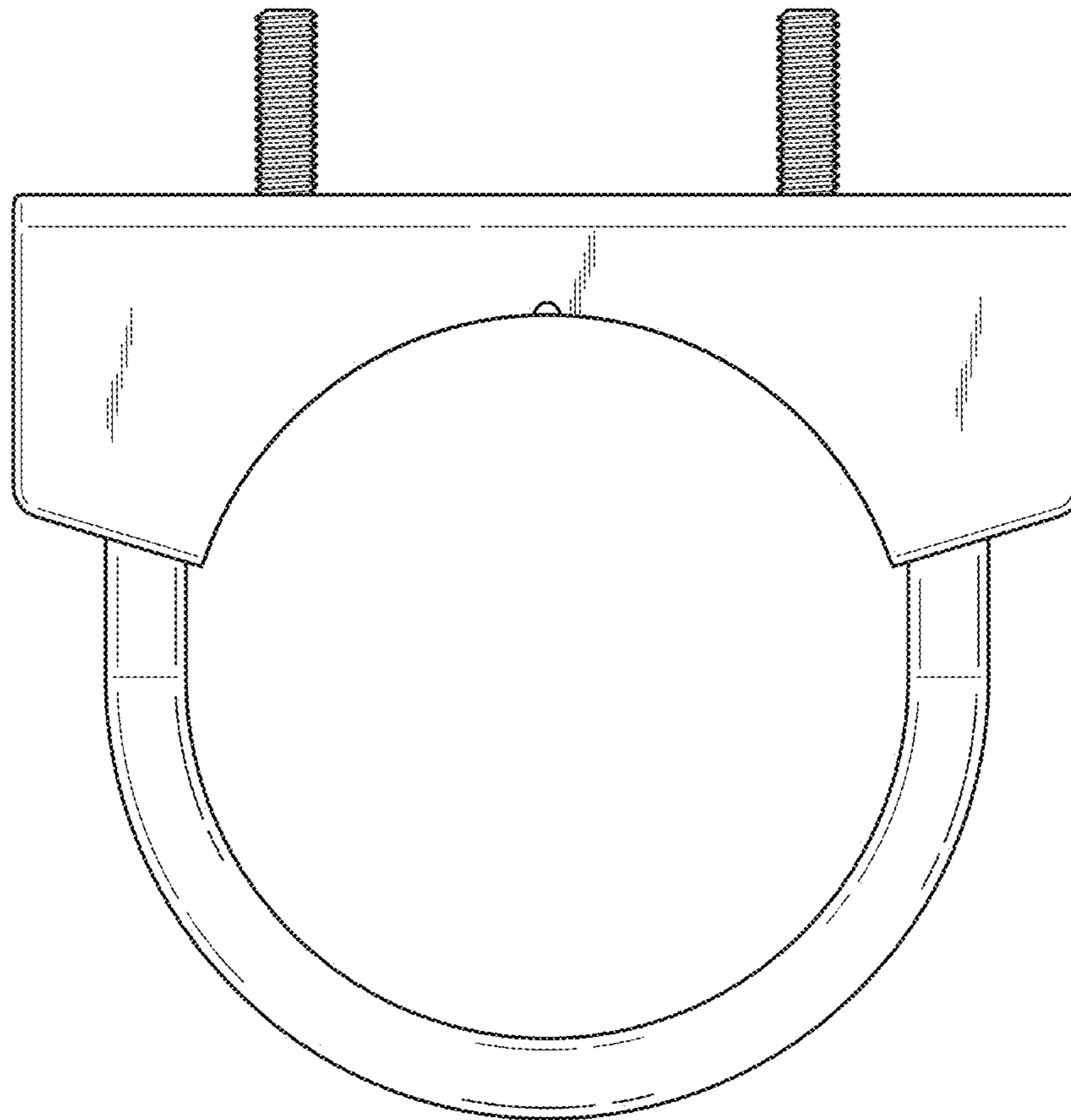


FIG. 7

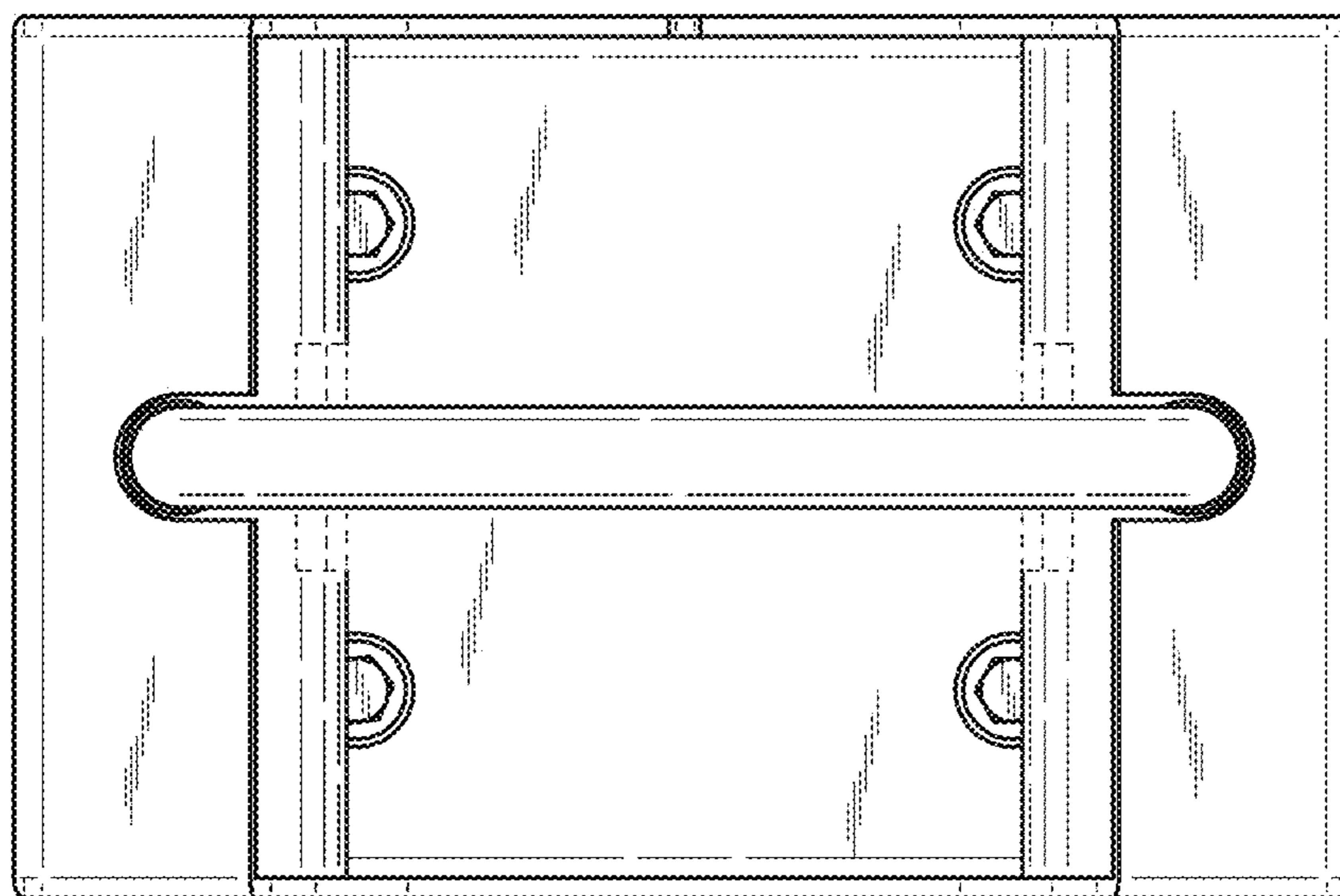


FIG. 8

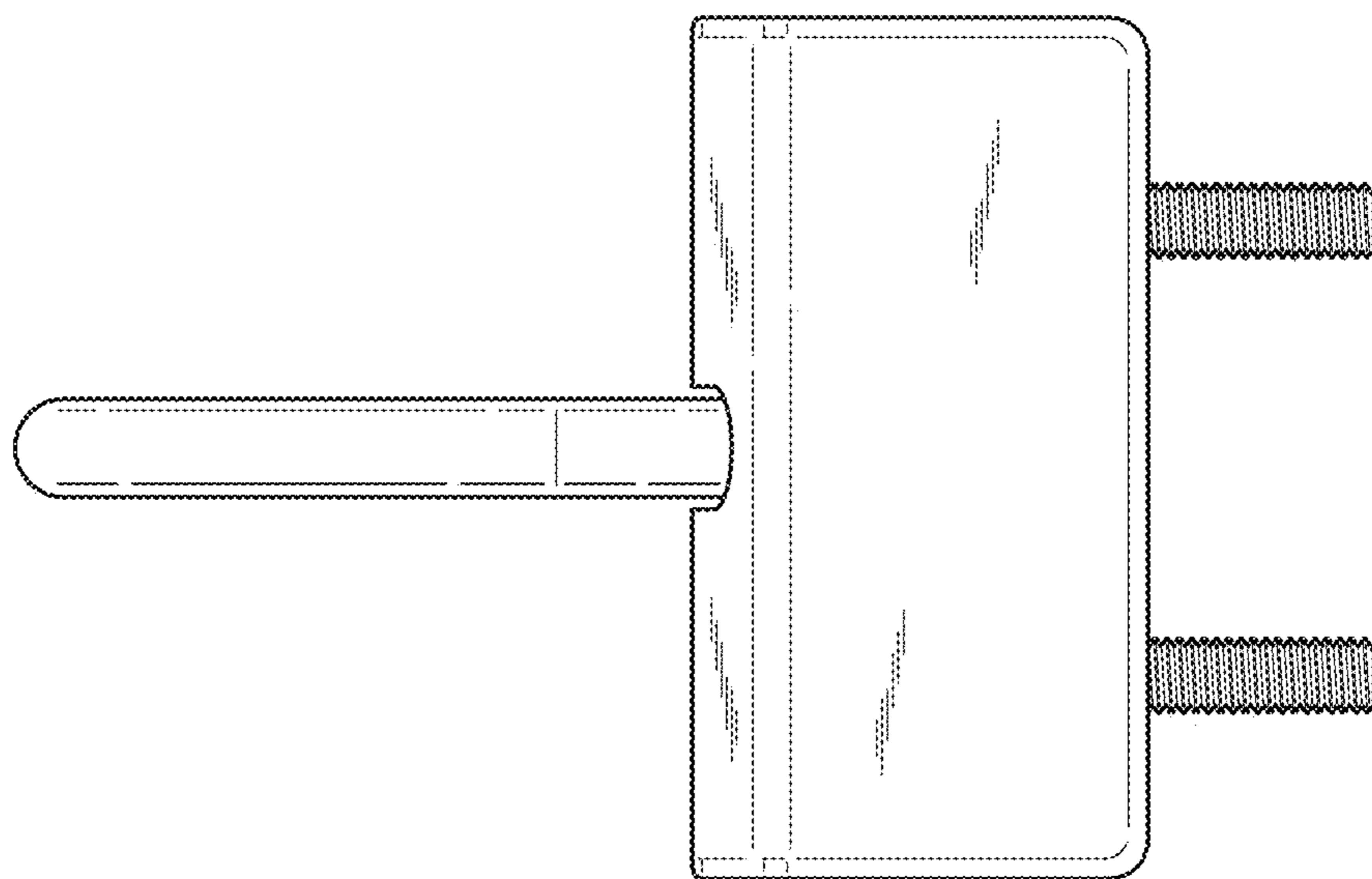


FIG. 9

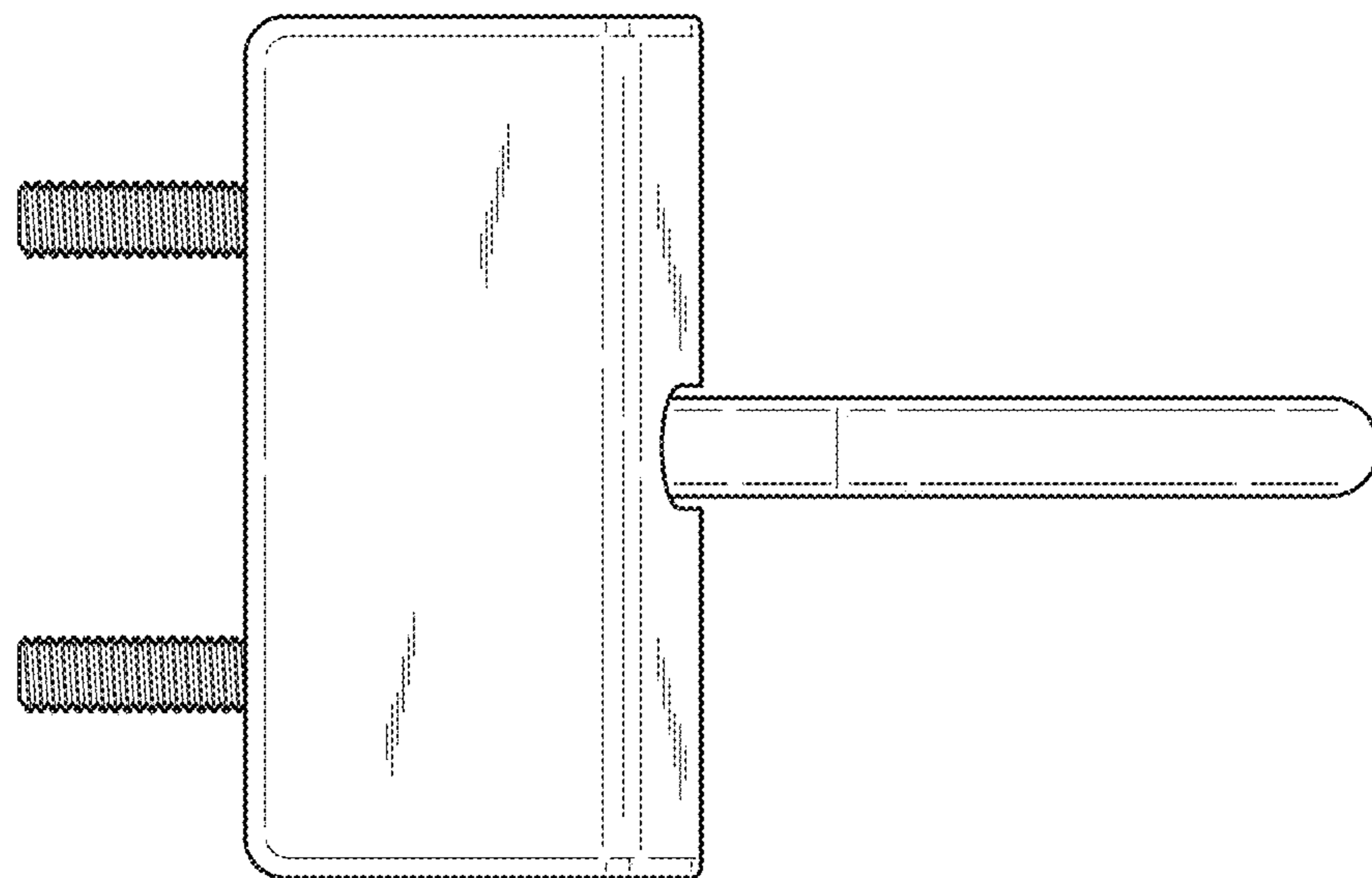


FIG. 10

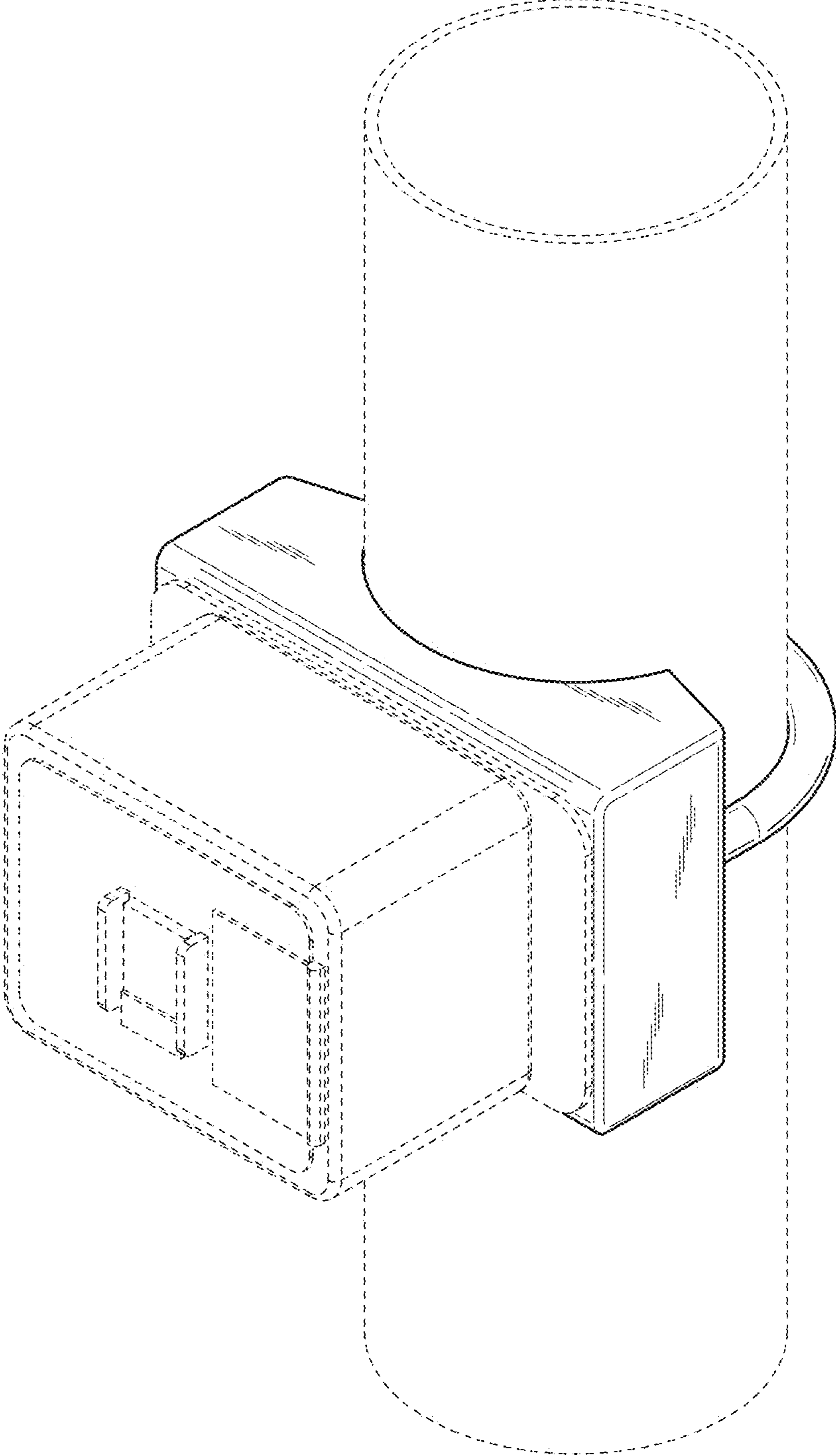


FIG. 11

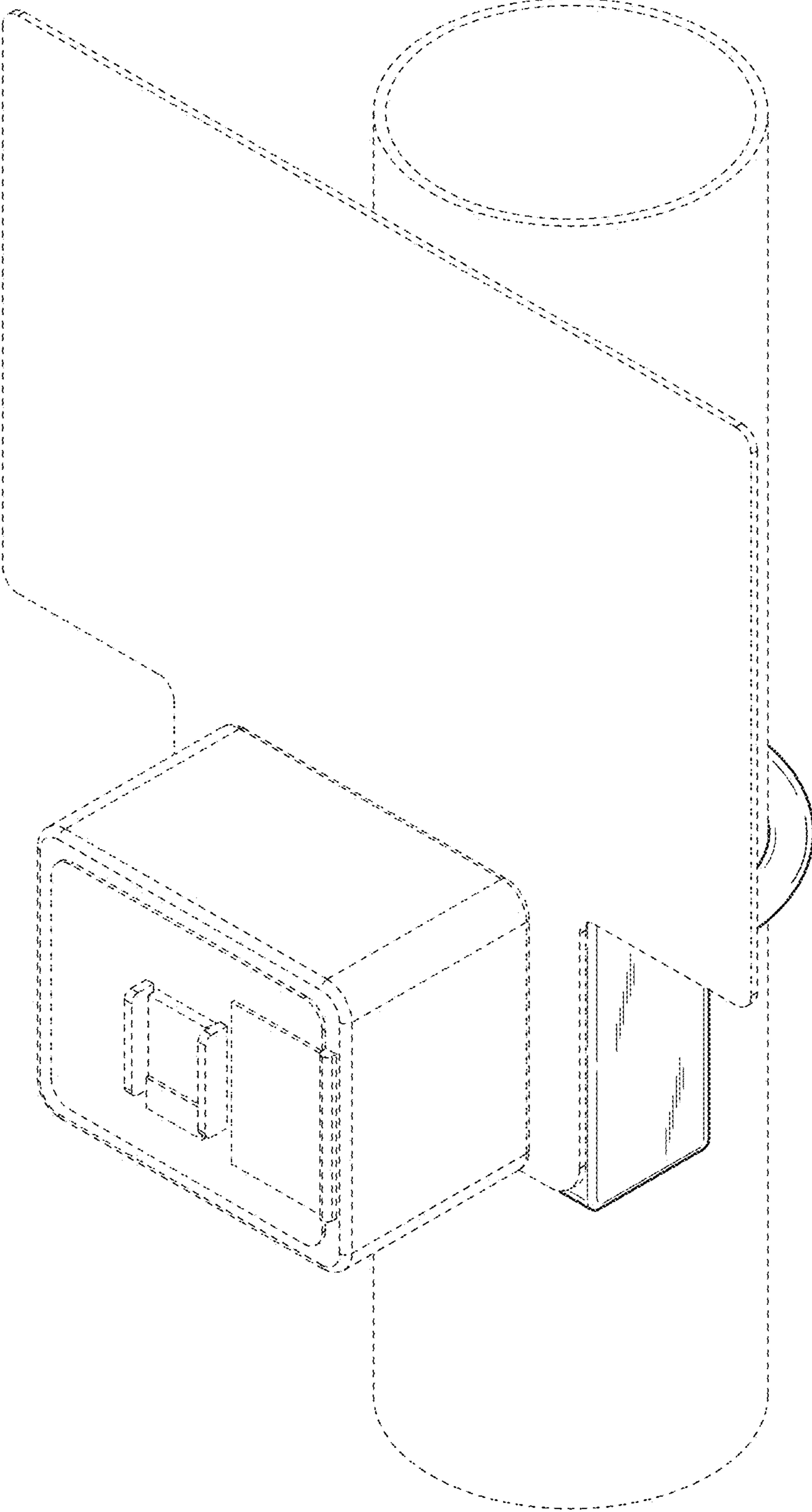


FIG. 12