



US00D902020S

(12) **United States Design Patent** (10) **Patent No.:** **US D902,020 S**  
**Ryan et al.** (45) **Date of Patent:** **\*\* Nov. 17, 2020**

(54) **RACK AND SHELF AND HOOK BRACKET**

(71) Applicants: **Christopher James Ryan**, Newport, RI (US); **Benjamin Alan Cook**, Cazenovia, NY (US)

(72) Inventors: **Christopher James Ryan**, Newport, RI (US); **Benjamin Alan Cook**, Cazenovia, NY (US)

(\*\*) Term: **15 Years**

(21) Appl. No.: **29/730,482**

(22) Filed: **Apr. 4, 2020**

**Related U.S. Application Data**

(62) Division of application No. 29/668,210, filed on Oct. 29, 2018.

(51) **LOC (12) Cl.** ..... **08-05**

(52) **U.S. Cl.**  
USPC ..... **D8/381**

(58) **Field of Classification Search**  
USPC ..... D8/354, 381  
CPC ..... A47B 96/061  
See application file for complete search history.

(56) **References Cited**

**U.S. PATENT DOCUMENTS**

D234,455 S *	3/1975	Blake	.....	D8/380
D474,395 S *	5/2003	Mueller	.....	D8/354
D517,402 S *	3/2006	Cairns	.....	D8/381
D520,349 S *	5/2006	Boroviak	.....	D8/381
D586,201 S *	2/2009	Day	.....	D8/354
D605,931 S *	12/2009	Piersant	.....	D8/381
D608,625 S *	1/2010	Mercado	.....	D8/380
D695,090 S *	12/2013	White	.....	D8/354
D729,043 S *	5/2015	Poppell	.....	D8/354
D784,115 S *	4/2017	Rago	.....	D8/354
D785,442 S *	5/2017	Tseng	.....	D8/354

D805,880 S *	12/2017	Bright	.....	D8/381
D808,576 S *	1/2018	Clarke	.....	D26/138
D828,743 S *	9/2018	Bright	.....	D8/380
D839,083 S *	1/2019	Silva	.....	D8/354
D856,114 S *	8/2019	Poppell	.....	D8/349
D860,762 S *	9/2019	Gibson	.....	D8/354
2008/0283702 A1 *	11/2008	Ikerd	.....	E04B 1/2604 248/228.1
2012/0181244 A1 *	7/2012	Wang	.....	A47G 25/06 211/106.01

**OTHER PUBLICATIONS**

Shelf Brackets, posted at amazon.com, posting date Sep. 3, 2018, [online], [site visited Mar. 10, 2020]. Available from Internet, URL: <https://www.amazon.com/Brackets-Shelves-Bracket-Industrial-Modern/dp/B07QFN4P5G> (Year: 2018).\*

\* cited by examiner

*Primary Examiner* — George D. Kirschbaum

*Assistant Examiner* — Maria J Edwards

(74) *Attorney, Agent, or Firm* — Keeley DeAngelo LLP; W Scott Keeley

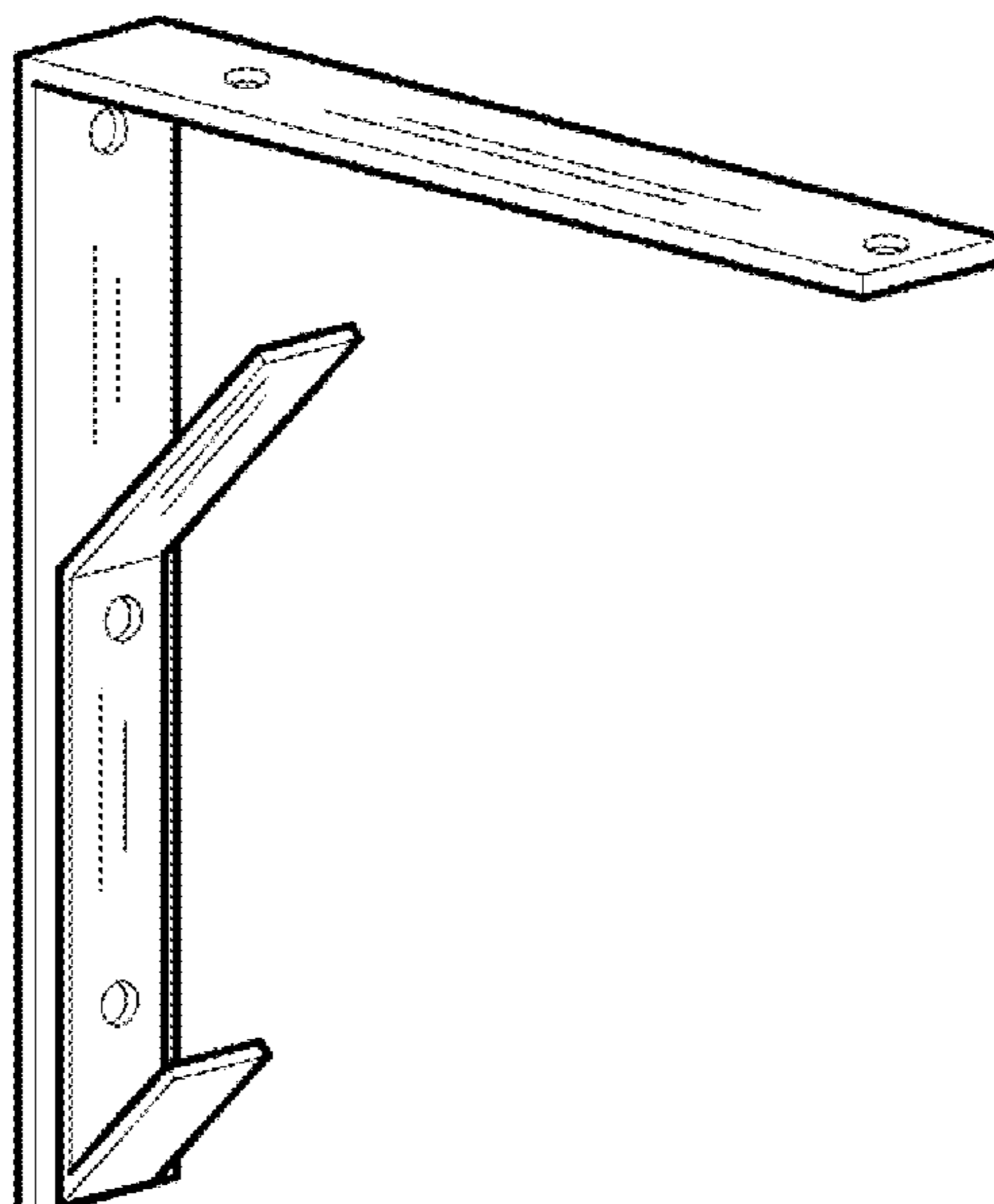
(57) **CLAIM**

The ornamental design for a rack and shelf and hook bracket, as shown and described.

**DESCRIPTION**

FIG. 1 is a front perspective view of a rack and shelf and hook bracket of the present design;  
FIG. 2 is a rear perspective view thereof;  
FIG. 3 is a front view thereof;  
FIG. 4 is a left side view thereof, the right side view being a mirror image of FIG. 4;  
FIG. 5 is a rear view thereof;  
FIG. 6 is a top view thereof; and,  
FIG. 7 is a bottom view thereof.

**1 Claim, 4 Drawing Sheets**



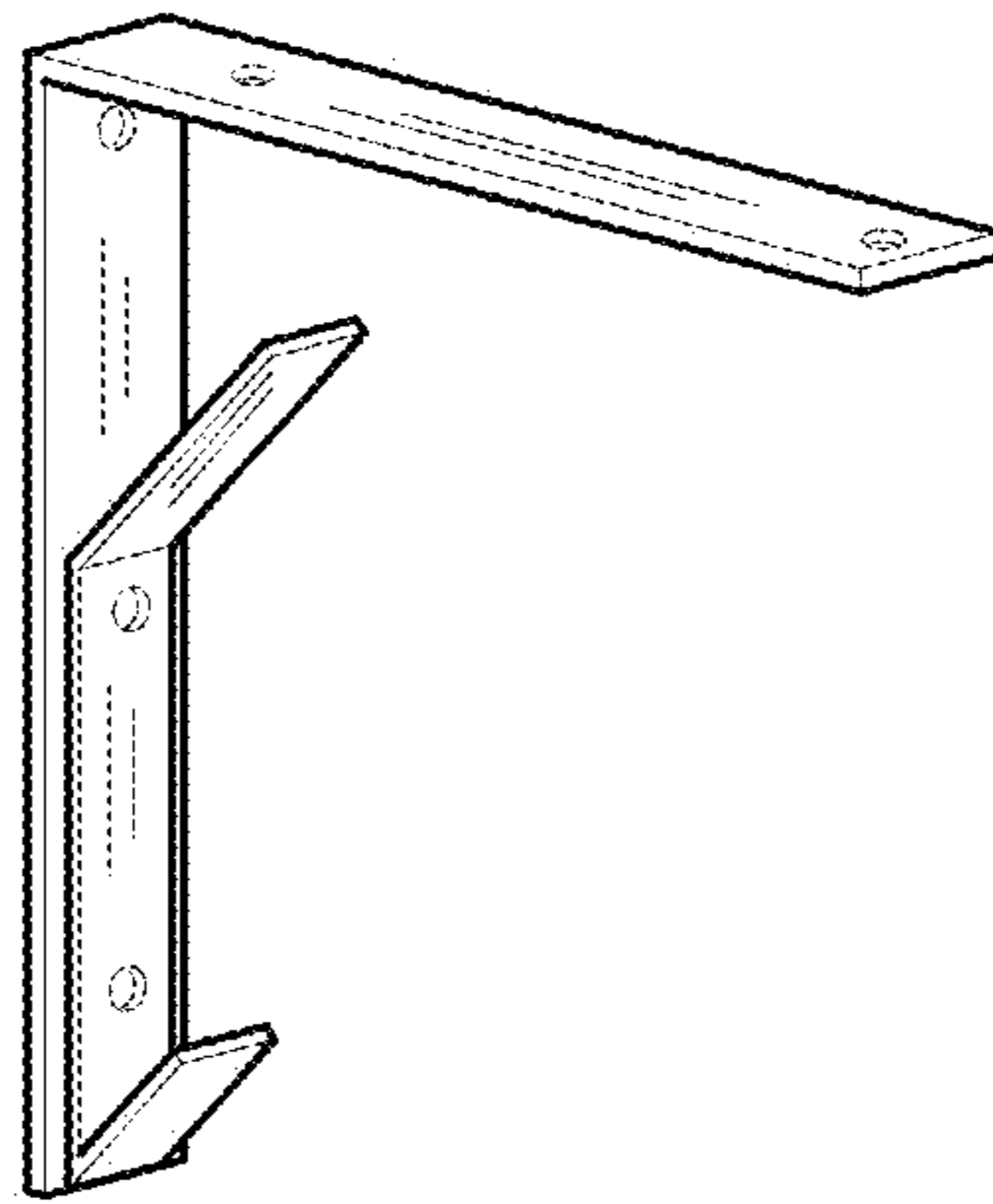


FIG. 1

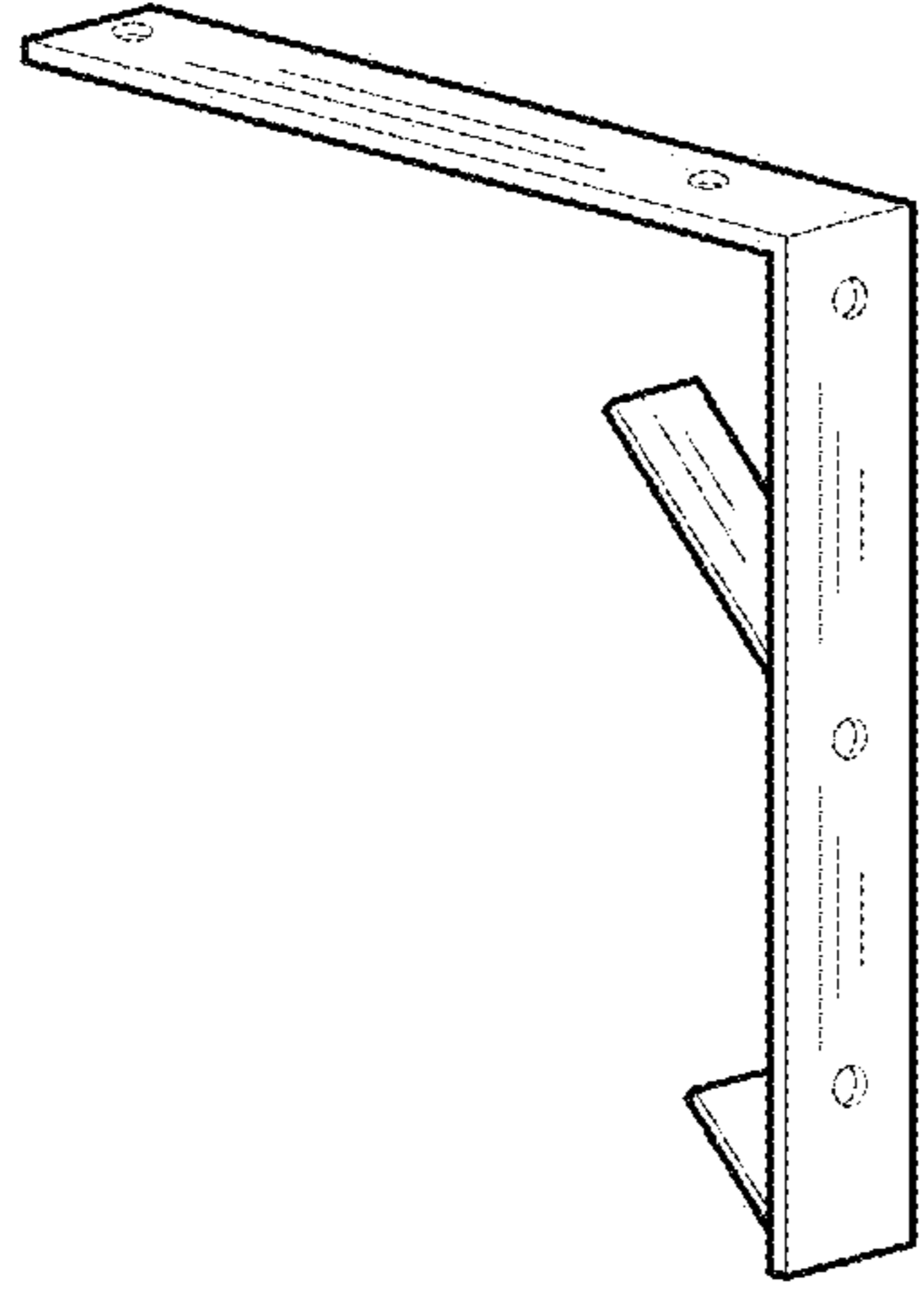


FIG. 2

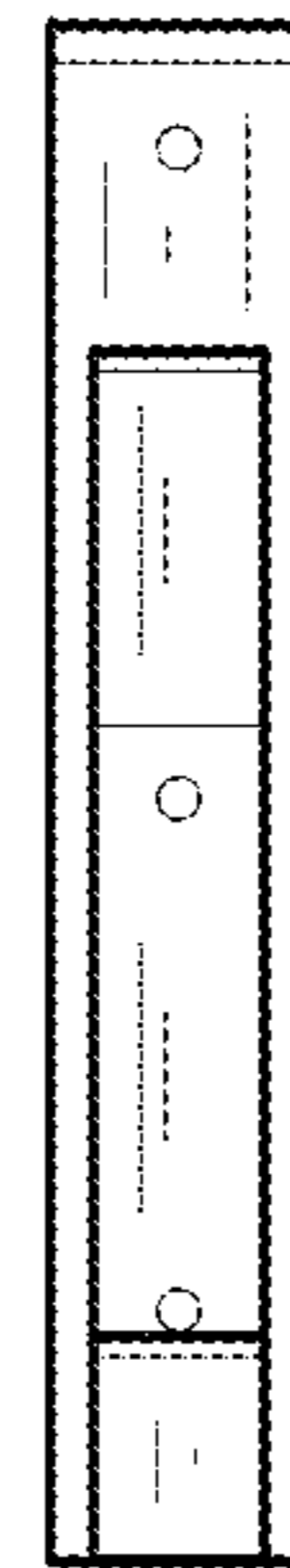


FIG. 3

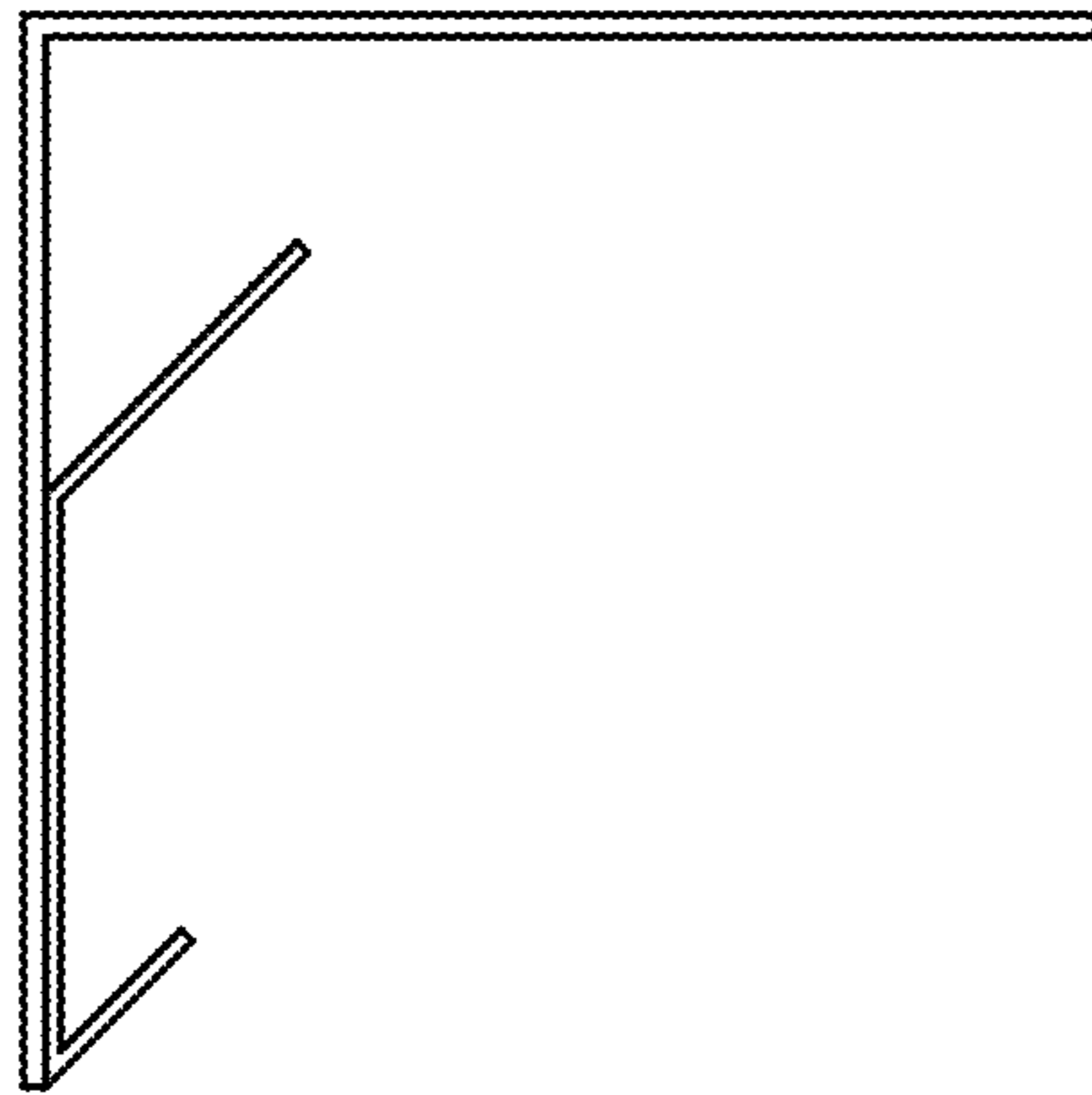


FIG. 4

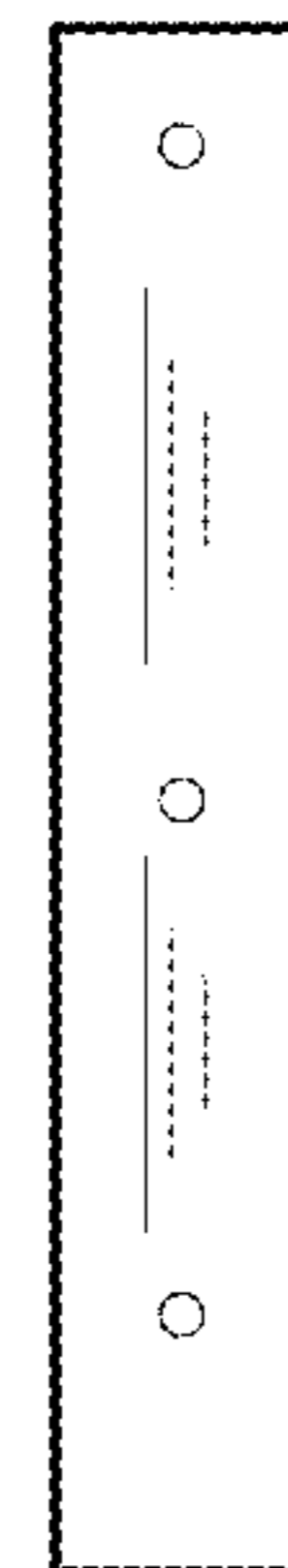


FIG. 5

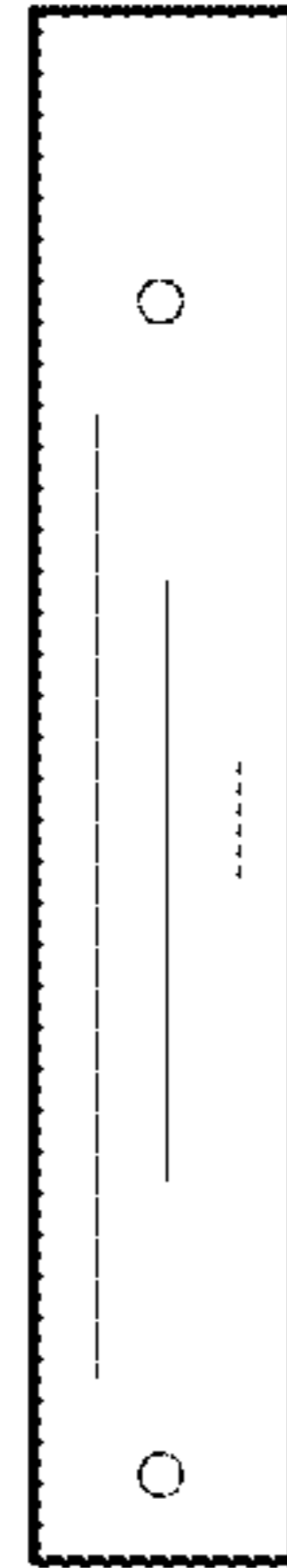


FIG. 6

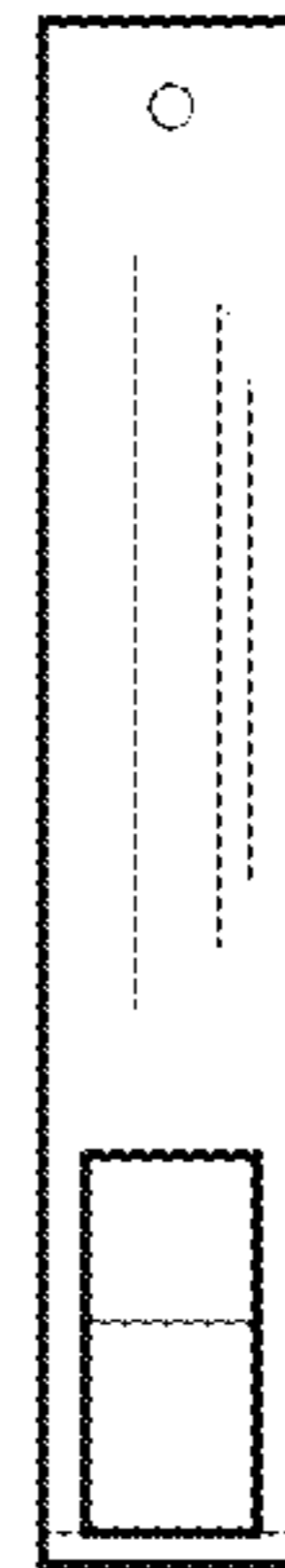


FIG. 7