



US00D902019S

(12) **United States Design Patent** (10) **Patent No.:** **US D902,019 S**
Ryan et al. (45) **Date of Patent:** **** Nov. 17, 2020**

(54) **RACK AND SHELF AND HOOK BRACKET**
(71) Applicants: **Christopher James Ryan**, Newport, RI (US); **Benjamin Alan Cook**, Cazenovia, NY (US)
(72) Inventors: **Christopher James Ryan**, Newport, RI (US); **Benjamin Alan Cook**, Cazenovia, NY (US)

D828,743 S * 9/2018 Bright D8/380
D839,083 S * 1/2019 Silva D8/354
D856,114 S * 8/2019 Poppell D8/349
D860,762 S * 9/2019 Gibson D8/354
2008/0283702 A1* 11/2008 Ikerd E04B 1/2604
248/228.1
2012/0181244 A1* 7/2012 Wang A47G 25/06
211/106.01

(**) Term: **15 Years**
(21) Appl. No.: **29/668,210**

(22) Filed: **Oct. 29, 2018**
(51) **LOC (12) Cl.** **08-05**
(52) **U.S. Cl.**
USPC **D8/381**
(58) **Field of Classification Search**
USPC D8/354, 381
CPC A47B 96/061
See application file for complete search history.

(56) **References Cited**

U.S. PATENT DOCUMENTS

D234,455 S * 3/1975 Blake D8/380
D474,395 S * 5/2003 Mueller D8/354
D517,402 S * 3/2006 Cairns D8/381
D520,349 S * 5/2006 Boroviak D8/381
D586,201 S * 2/2009 Day D8/354
D605,931 S * 12/2009 Piersant D8/381
D608,625 S * 1/2010 Mercado D8/380
D695,090 S * 12/2013 White D8/354
D729,043 S * 5/2015 Poppell D8/354
D784,115 S * 4/2017 Rago D8/354
D785,442 S * 5/2017 Tseng D8/354
D805,880 S * 12/2017 Bright D8/381
D808,576 S * 1/2018 Clarke D26/138

OTHER PUBLICATIONS

Shelf Brackets, posted at amazon.com, posting date Sep. 3, 2018, [online], [site visited Mar. 10, 2020]. Available from Internet, URL: <https://www.amazon.com/Brackets-Shelves-Bracket-Industrial-Modern/dp/B07QFN4P5G> (Year: 2018).*

* cited by examiner

Primary Examiner — George D. Kirschbaum
Assistant Examiner — Maria J Edwards
(74) *Attorney, Agent, or Firm* — Keeley DeAngelo LLP;
W Scott Keeley

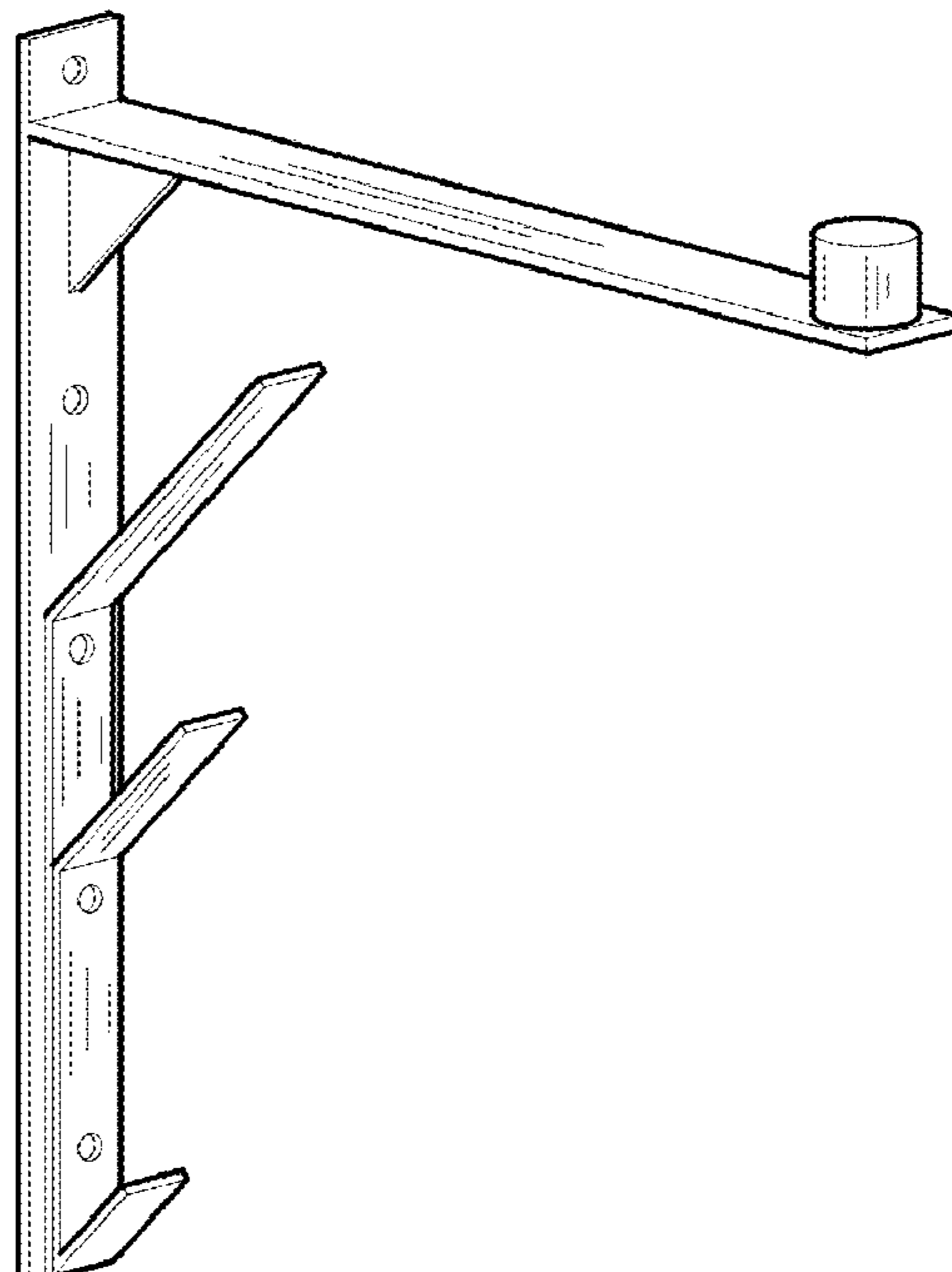
(57) **CLAIM**

The ornamental design for a rack and shelf and hook bracket, as shown and described.

DESCRIPTION

FIG. 1 is a front perspective view of a rack and shelf and hook bracket of the present design;
FIG. 2 is a rear perspective view thereof;
FIG. 3 is a front view thereof;
FIG. 4 is a left side view of the present design, the right side view being a mirror image thereof;
FIG. 5 is a rear view thereof;
FIG. 6 is a top view thereof; and,
FIG. 7 is a bottom view thereof.

1 Claim, 4 Drawing Sheets



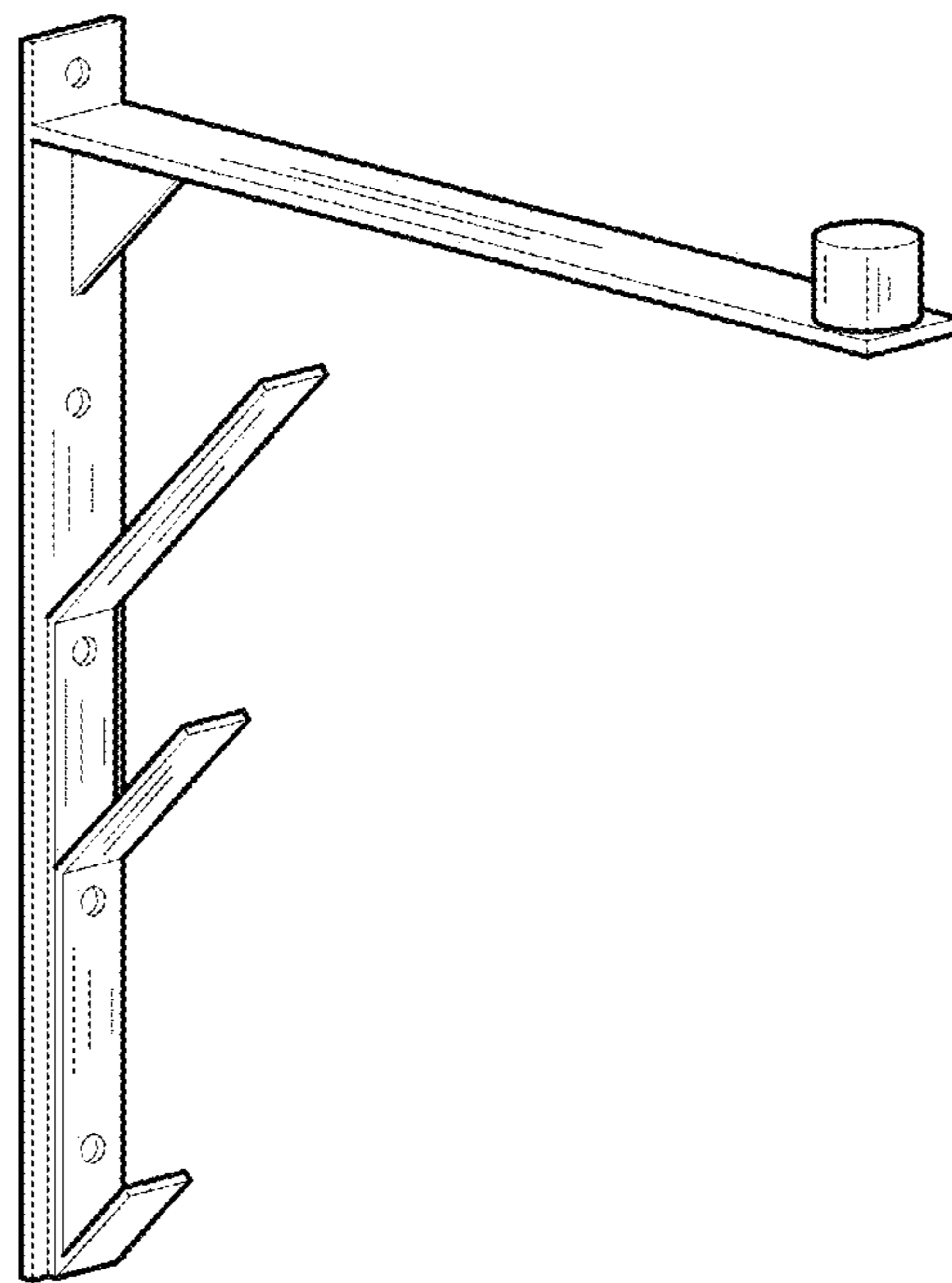


FIG. 1

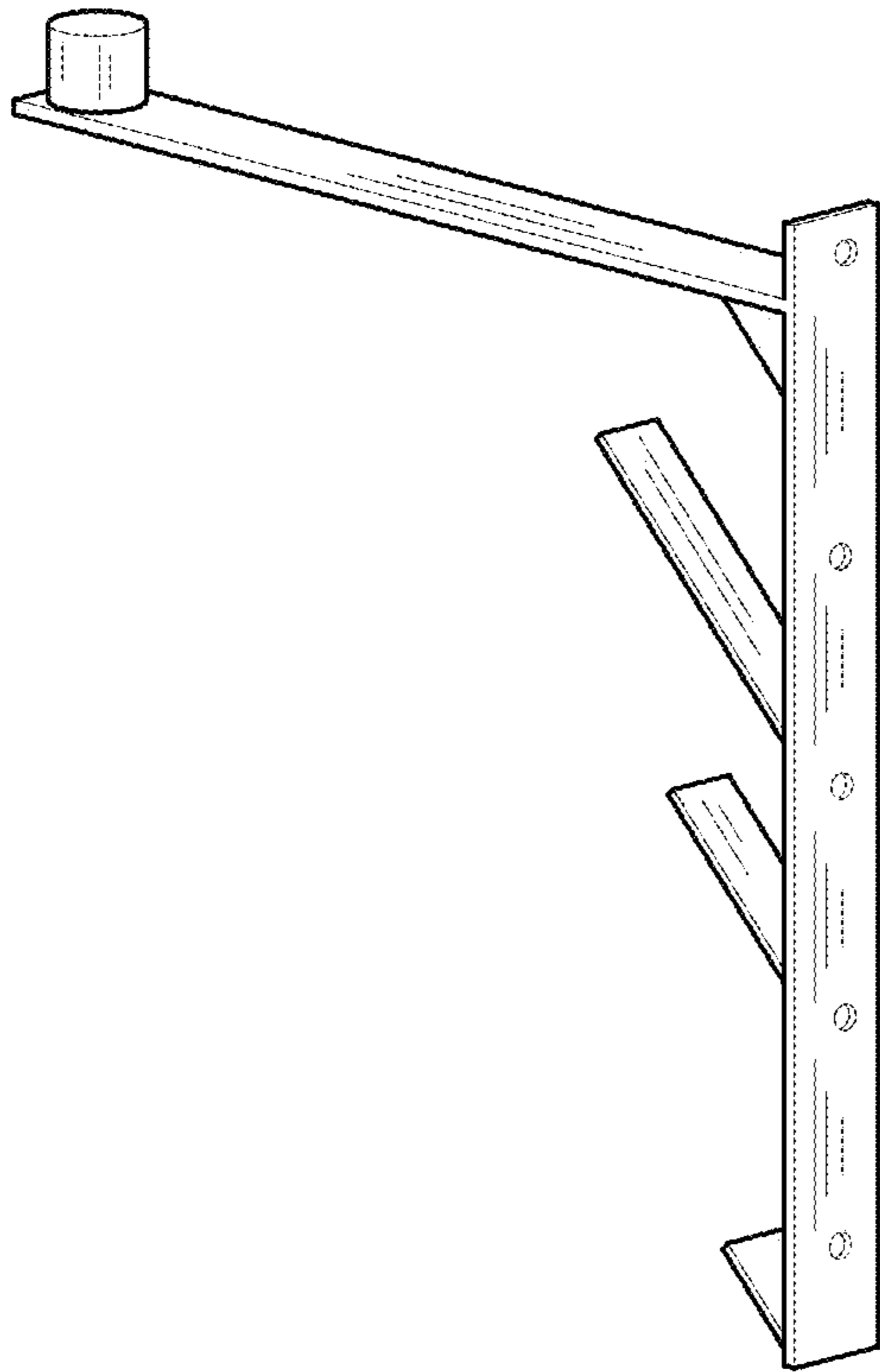


FIG. 2

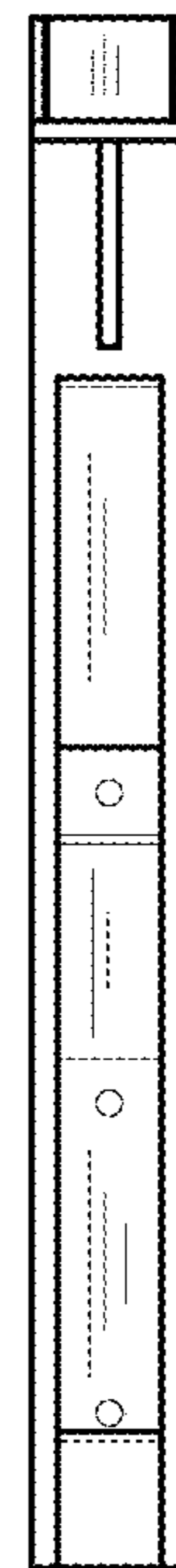


FIG. 3

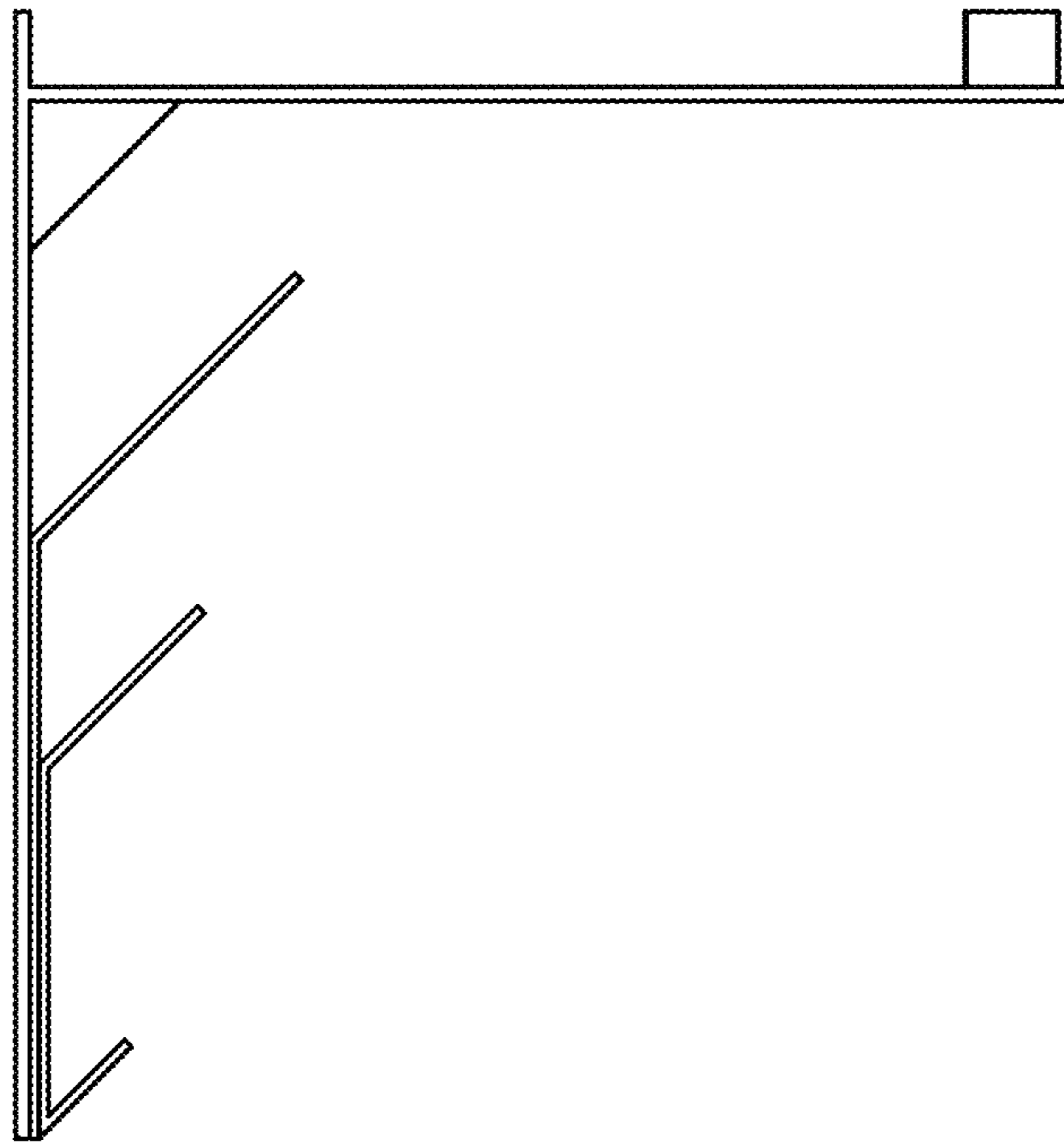


FIG. 4



FIG. 5

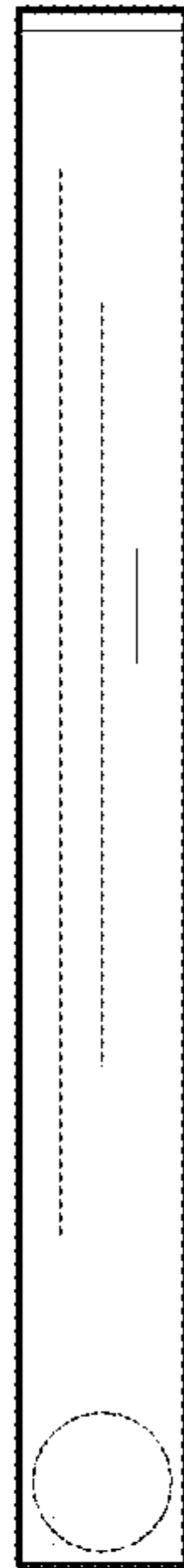


FIG. 6

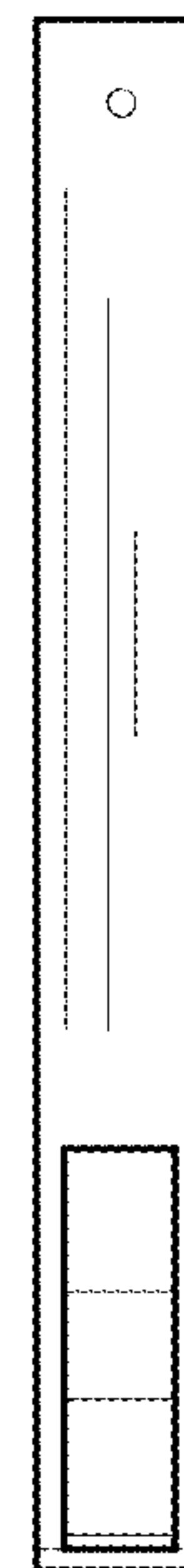


FIG. 7