

US00D902017S

(12) **United States Design Patent**  
**Lin**

(10) **Patent No.:** **US D902,017 S**

(45) **Date of Patent:** **\*\* Nov. 17, 2020**

(54) **FOOT ASSEMBLY FOR MACHINE LEGS**

(71) Applicant: **Yen-Cheng Lin**, Taichung (TW)

(72) Inventor: **Yen-Cheng Lin**, Taichung (TW)

(\*\*) Term: **15 Years**

(21) Appl. No.: **29/674,301**

(22) Filed: **Dec. 20, 2018**

(30) **Foreign Application Priority Data**

Jun. 20, 2018 (TW) ..... 107303500

(51) **LOC (12) Cl.** ..... **08-05**

(52) **U.S. Cl.**  
USPC ..... **D8/355; D6/710; D15/199**

(58) **Field of Classification Search**  
USPC .... D6/610, 702, 708, 708.16, 708.17, 708.2,  
D6/708.21, 708.22, 709, 709.18, 710,  
D6/684; D15/199; D8/354, 355, 374  
CPC ..... A47B 91/00; A47B 91/02; A47B 91/024;  
A47B 91/026; A47B 91/028; A47B  
91/04; A47B 91/06; A47B 2220/0027;  
A47C 7/0002; E01C 13/02; E04G 1/28;  
F16F 1/44; F16F 1/371

See application file for complete search history.

(56) **References Cited**

**U.S. PATENT DOCUMENTS**

D115,528 S \* 7/1939 Silvers ..... D6/708  
2,338,092 A \* 1/1944 Brown ..... E04G 1/28  
248/172  
3,166,782 A \* 1/1965 Miller ..... A47B 91/066  
16/42 R  
3,288,405 A \* 11/1966 Johnson ..... F16F 1/371  
248/615  
4,879,857 A \* 11/1989 Peterson ..... E01C 13/02  
52/403.1  
D376,713 S \* 12/1996 Kelso ..... A47B 91/026  
D6/709.18

6,357,717 B1 \* 3/2002 Kennard, IV ..... F16F 1/44  
248/562  
6,418,578 B1 \* 7/2002 Polevoy ..... A47B 91/00  
16/18 CG  
D469,992 S \* 2/2003 Lasota ..... E04G 1/28  
D6/710  
D479,065 S \* 9/2003 Verbeek ..... E01C 13/02  
D6/710  
7,246,779 B2 \* 7/2007 Doyle ..... A47B 9/04  
108/144.11  
2013/0048805 A1 \* 2/2013 Haydu ..... A47B 91/028  
248/188.4

(Continued)

*Primary Examiner* — Mary Ann Calabrese

(74) *Attorney, Agent, or Firm* — Muncy, Geissler, Olds & Lowe, P.C.

(57) **CLAIM**

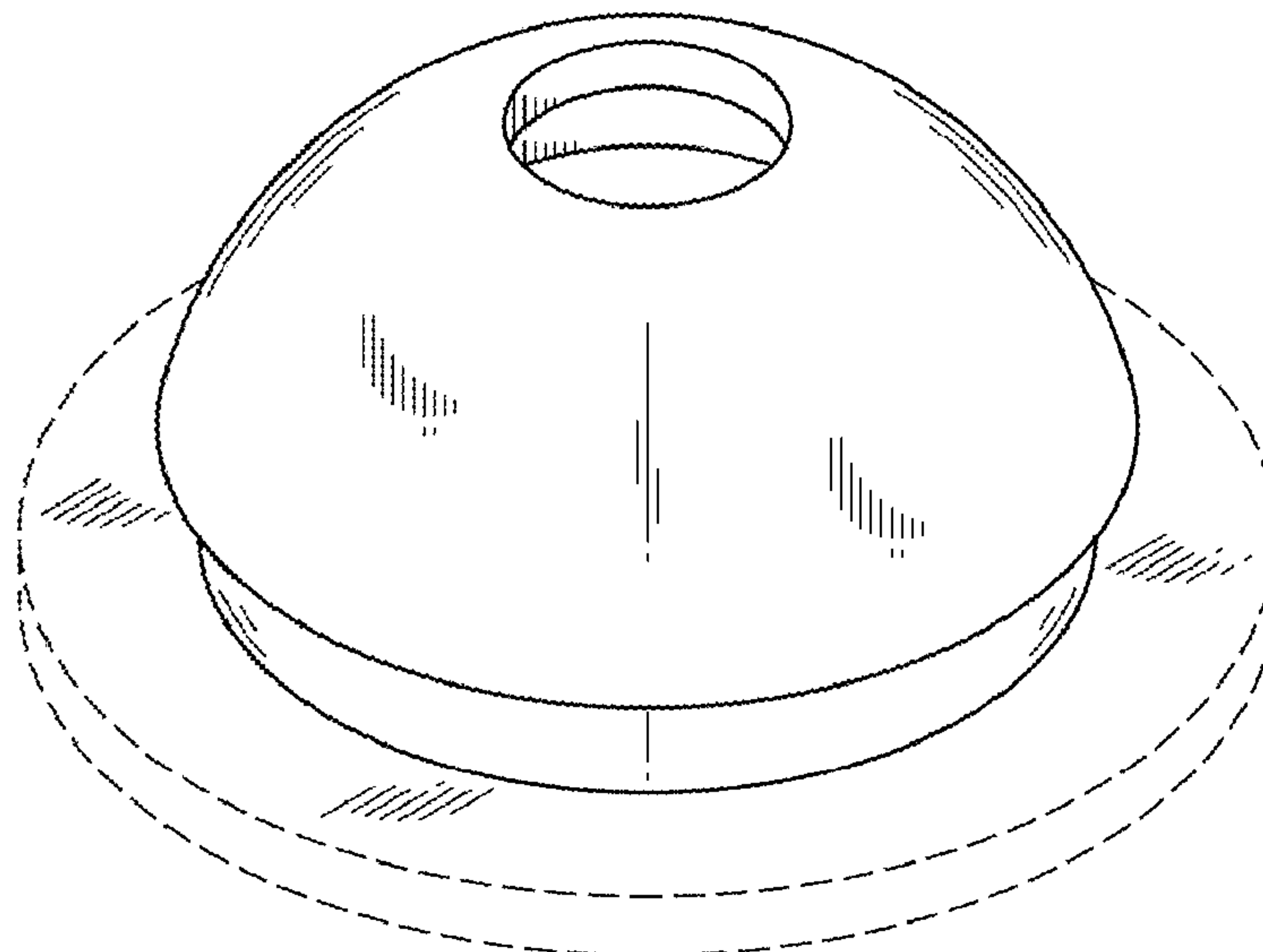
The ornamental design for foot assembly for machine legs, as shown and described.

**DESCRIPTION**

FIG. 1 is a perspective view of a foot assembly for machine legs, showing the new design;  
FIG. 2 is a front elevational view thereof; the rear elevational view is identical thereto;  
FIG. 3 is a left side view thereof; the right side view is identical thereto;  
FIG. 4 is a top plan view thereof;  
FIG. 5 is a bottom plan view thereof;  
FIG. 6 is a cross section view thereof, taken along line “6-6” of FIG. 2; and,  
FIG. 7 is a perspective view showing the design is in a state of use.

The broken lines in the drawings show portions of the foot assembly for machine legs that form no part of the claimed design. The broken lines showing nuts and a bolt in FIG. 7 illustrates environment that forms no part of the claimed design.

**1 Claim, 5 Drawing Sheets**



(56)

**References Cited**

U.S. PATENT DOCUMENTS

2019/0387881 A1\* 12/2019 Lin ..... A47B 91/026

\* cited by examiner

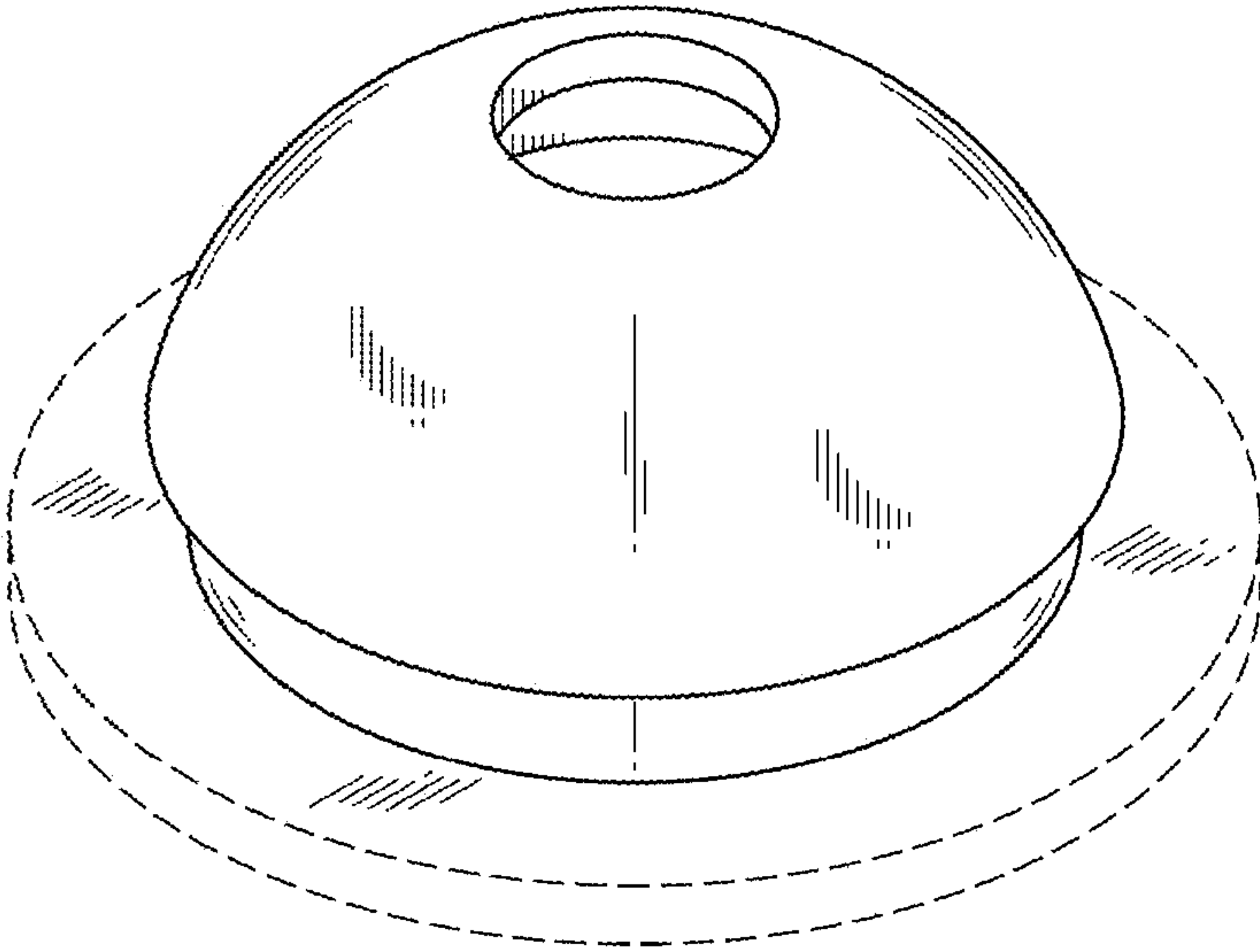


FIG. 1

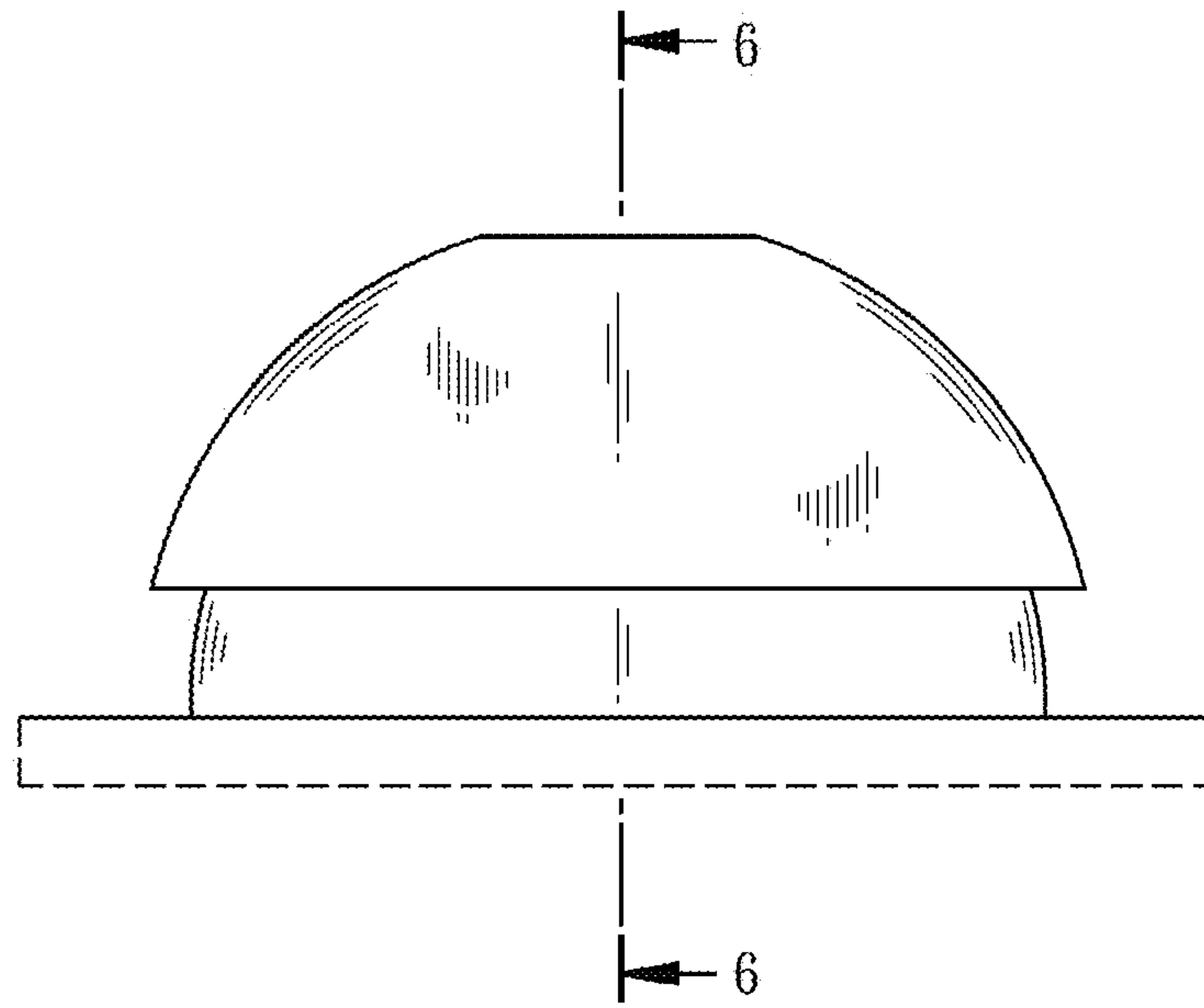


FIG. 2

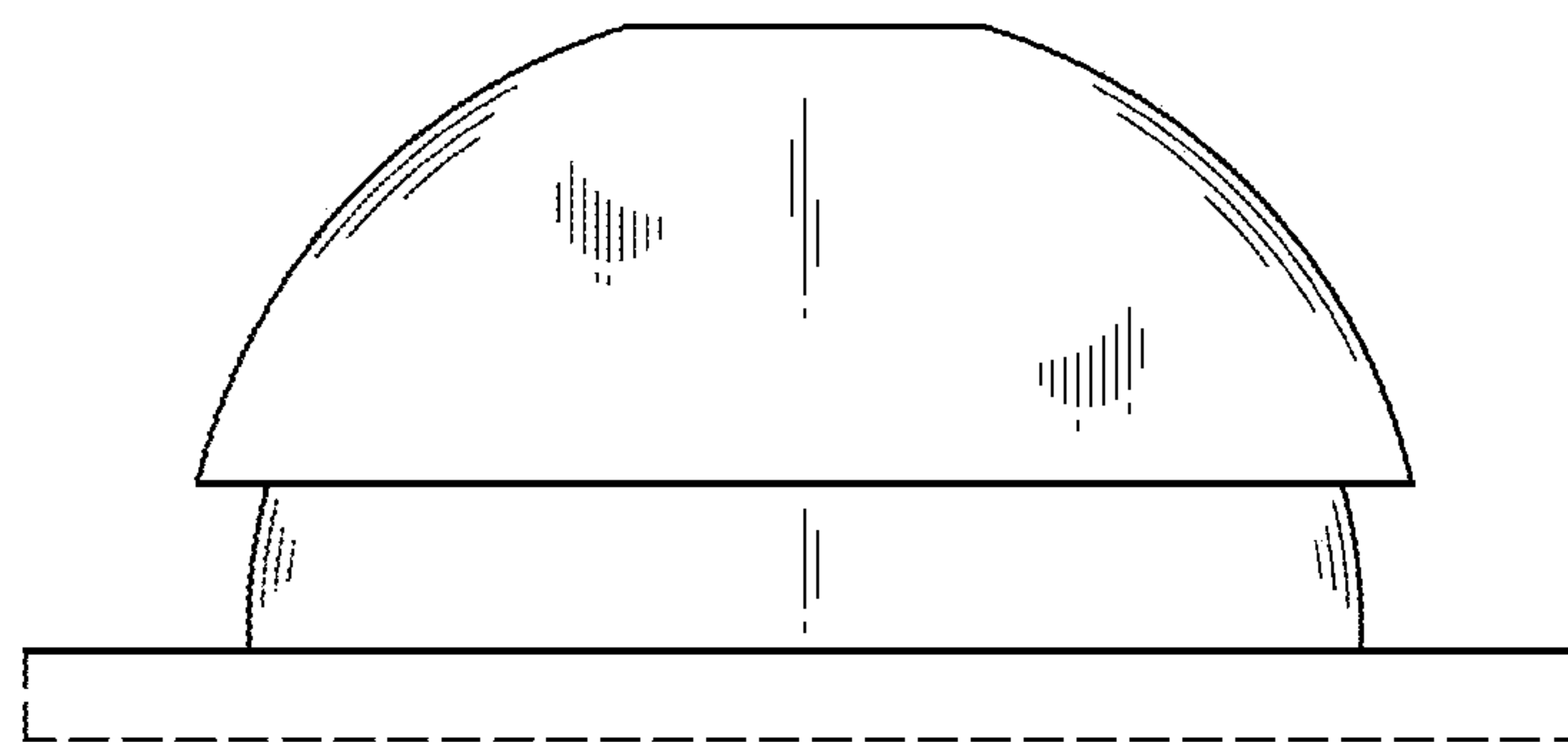


FIG. 3

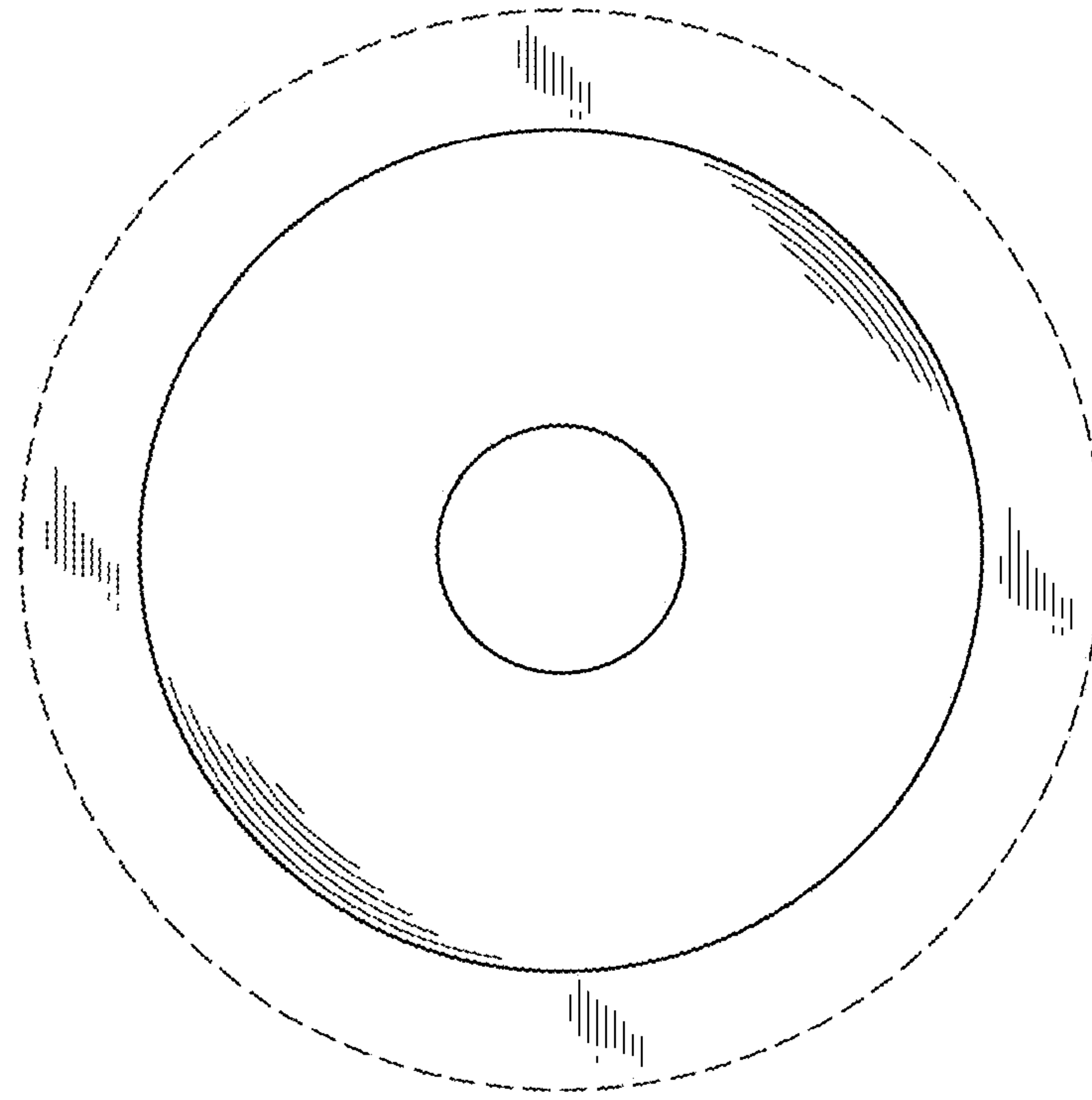


FIG. 4

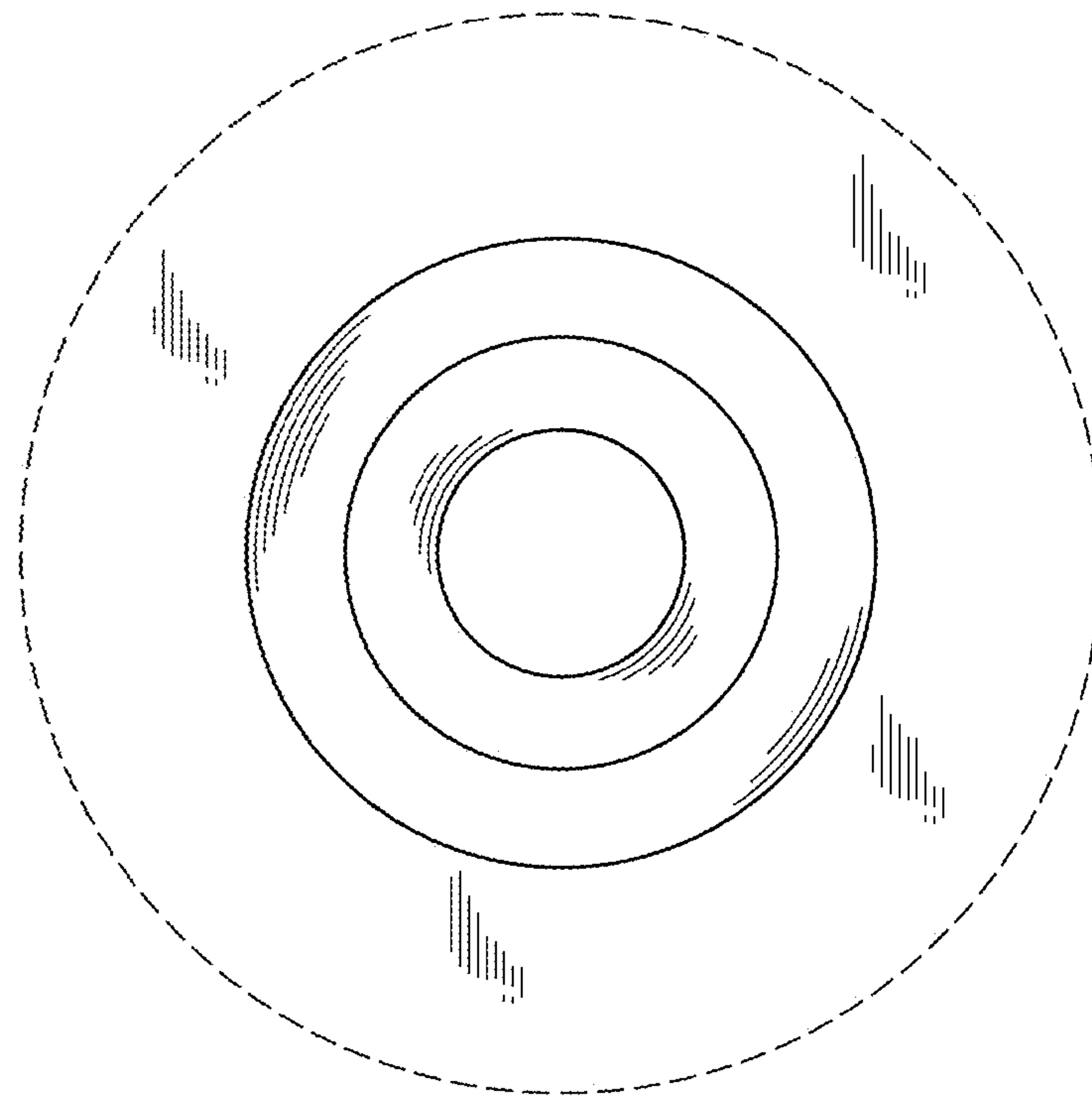


FIG. 5

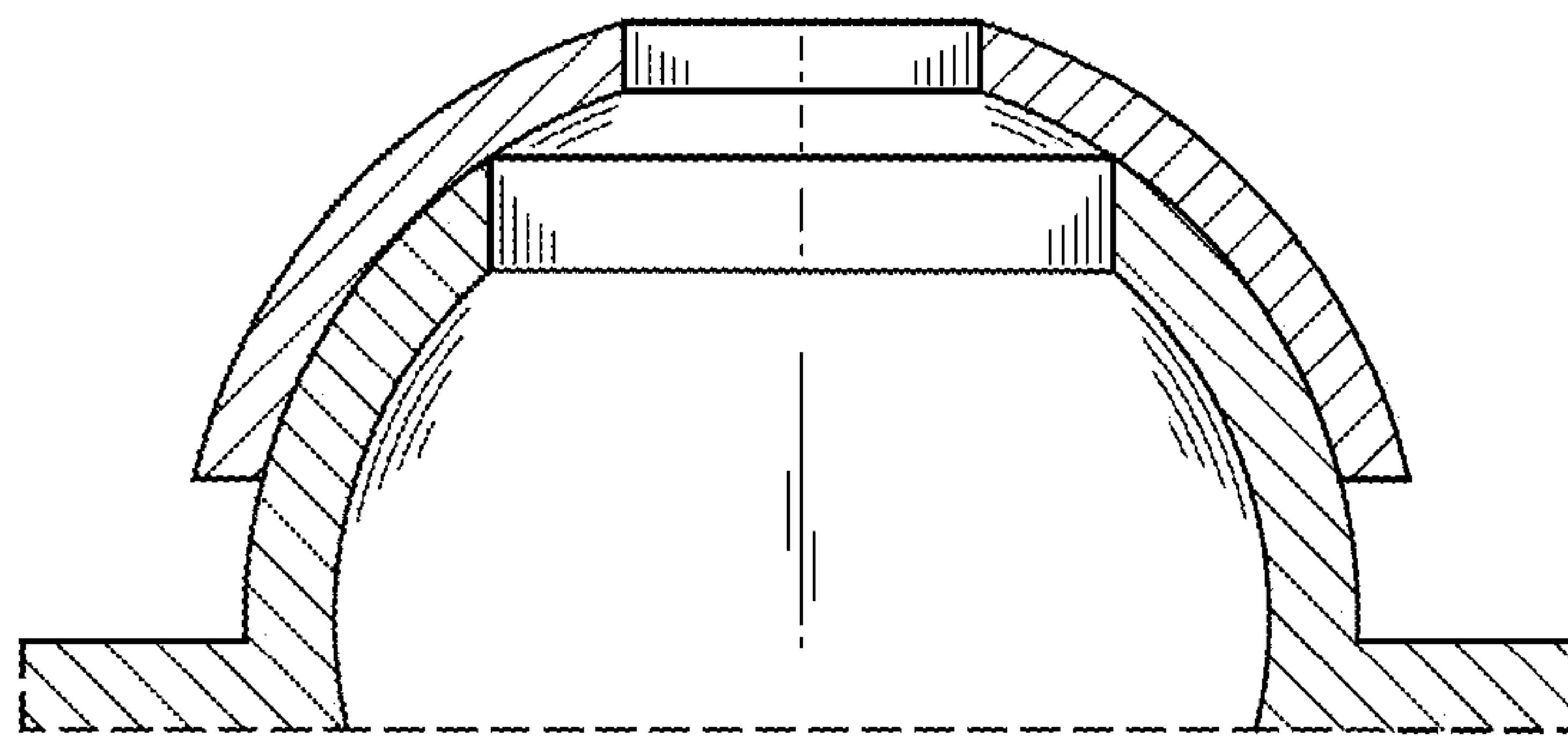


FIG. 6

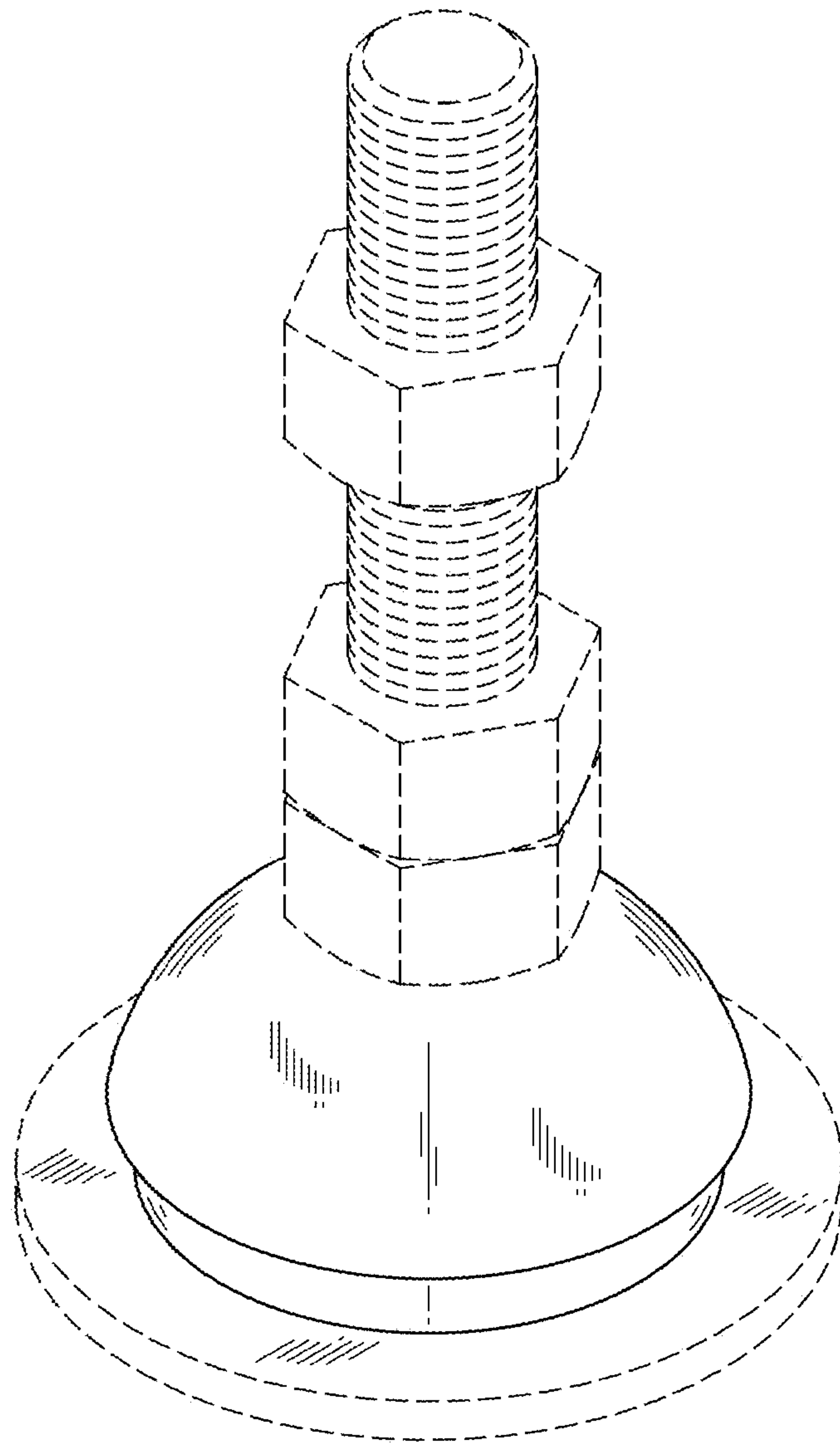


FIG. 7