



US00D902016S

(12) **United States Design Patent** (10) **Patent No.:** **US D902,016 S**
Yehishalom et al. (45) **Date of Patent:** **** Nov. 17, 2020**

(54) **BRACKET OPENER**

D871,193 S * 12/2019 Ruddick D8/356
D883,073 S * 5/2020 Jaramillo D8/354
D887,253 S * 6/2020 Jaramillo D8/354

(71) Applicant: **Abraham Internet Selling Inc,**
Weston, FL (US)

(72) Inventors: **Shir Yehishalom,** Weston, FL (US);
Alex Furman, Weston, FL (US)

(73) Assignee: **ABRAHAM INTERNET SELLING**
INC., Weston, FL (US)

(**) Term: **15 Years**

(21) Appl. No.: **29/681,000**

(22) Filed: **Feb. 21, 2019**

(51) **LOC (12) Cl.** **08-05**

(52) **U.S. Cl.**
USPC **D8/354**

(58) **Field of Classification Search**
USPC D8/354
CPC A47B 45/00; A47B 81/00; F16B 2/005
See application file for complete search history.

(56) **References Cited**

U.S. PATENT DOCUMENTS

D373,068 S *	8/1996	Airey	D8/349
D544,766 S *	6/2007	Hayes	D8/37
D586,201 S *	2/2009	Day	D8/354
D690,188 S *	9/2013	Pontus	D8/349
D699,097 S *	2/2014	Chung	D8/354
D730,719 S *	6/2015	Sundberg	D8/354
D752,954 S *	4/2016	Lax	D8/354
D753,472 S *	4/2016	Pan	D8/371
D763,062 S *	8/2016	Tatem	D8/354
D819,427 S *	6/2018	Mercaldi	D8/354
D860,762 S *	9/2019	Gibson	D8/354

OTHER PUBLICATIONS

Kindorf 2-Hole Gold Galvanized Corner Brace, posted at homedepot.com, posting date not given, [online], [site visited Jul. 28, 2020]. Available from Internet, URL: <https://www.homedepot.com/p/Kindorf-2-Hole-13-1-2-in-Gold-Galvanized-Corner-Brace-Case-of-10-B-940-2/309288500> (Year: 2020).*

* cited by examiner

Primary Examiner — George D. Kirschbaum

Assistant Examiner — Maria J Edwards

(74) *Attorney, Agent, or Firm* — The Roy Gross Law Firm, LLC; Roy Gross

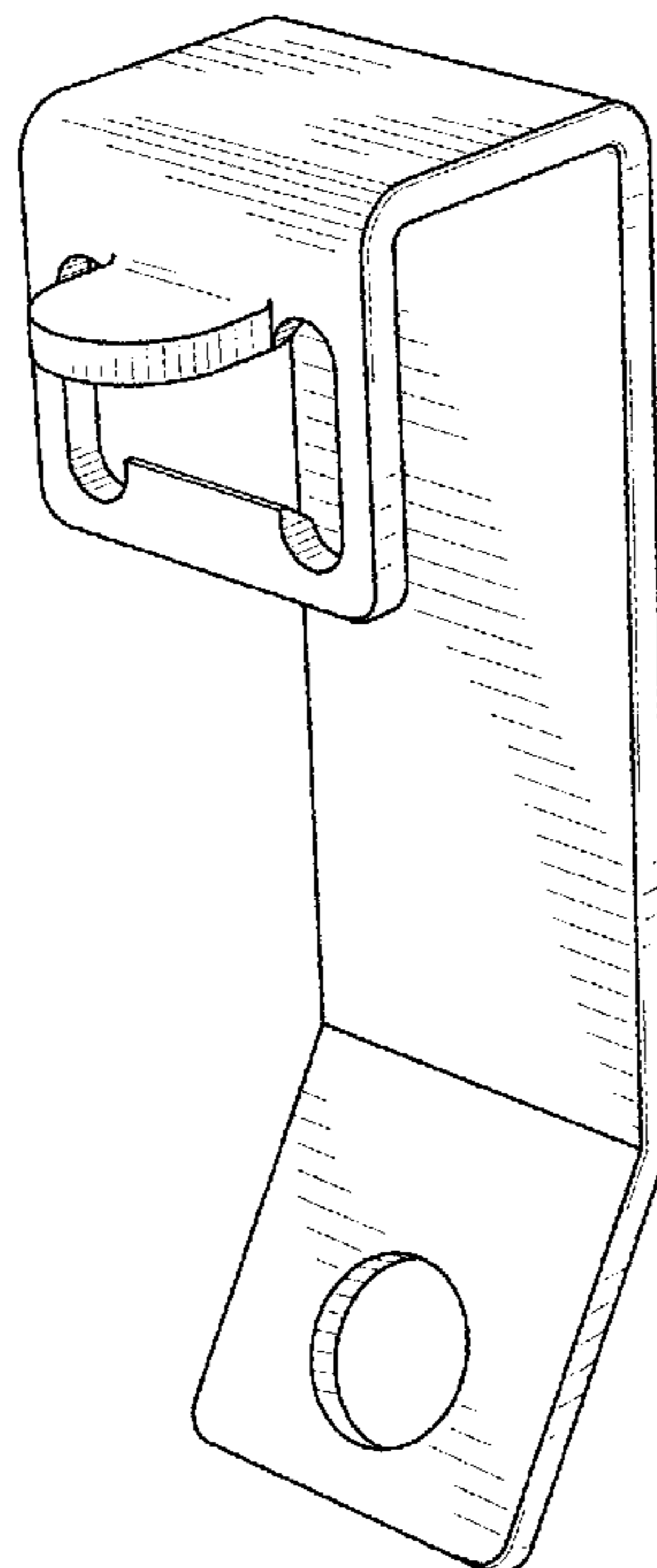
(57) **CLAIM**

The ornamental design for a bracket opener, as shown and described.

DESCRIPTION

FIG. 1 is a front view of a bracket opener in accordance with the new design;
FIG. 2 is a cross-section view thereof, taken along the line 2-2 indicated in FIG. 1;
FIG. 3 is a rear view thereof;
FIG. 4 is a left side view thereof;
FIG. 5 is a top side view thereof;
FIG. 6 is a bottom view thereof;
FIG. 7 is a front perspective thereof; and,
FIG. 8 is a rear perspective view.

1 Claim, 3 Drawing Sheets



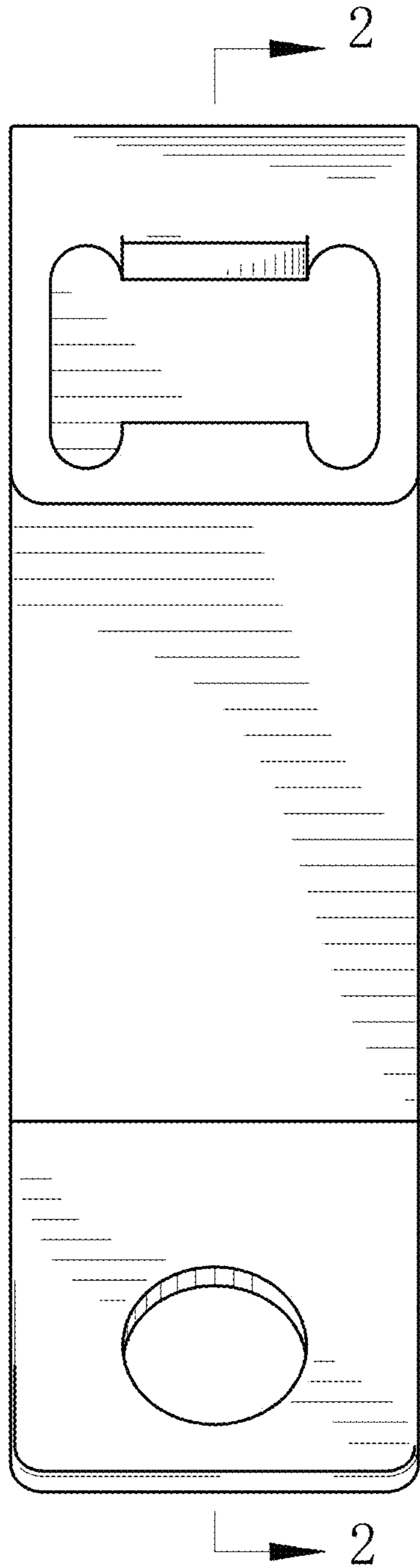


FIG. 1

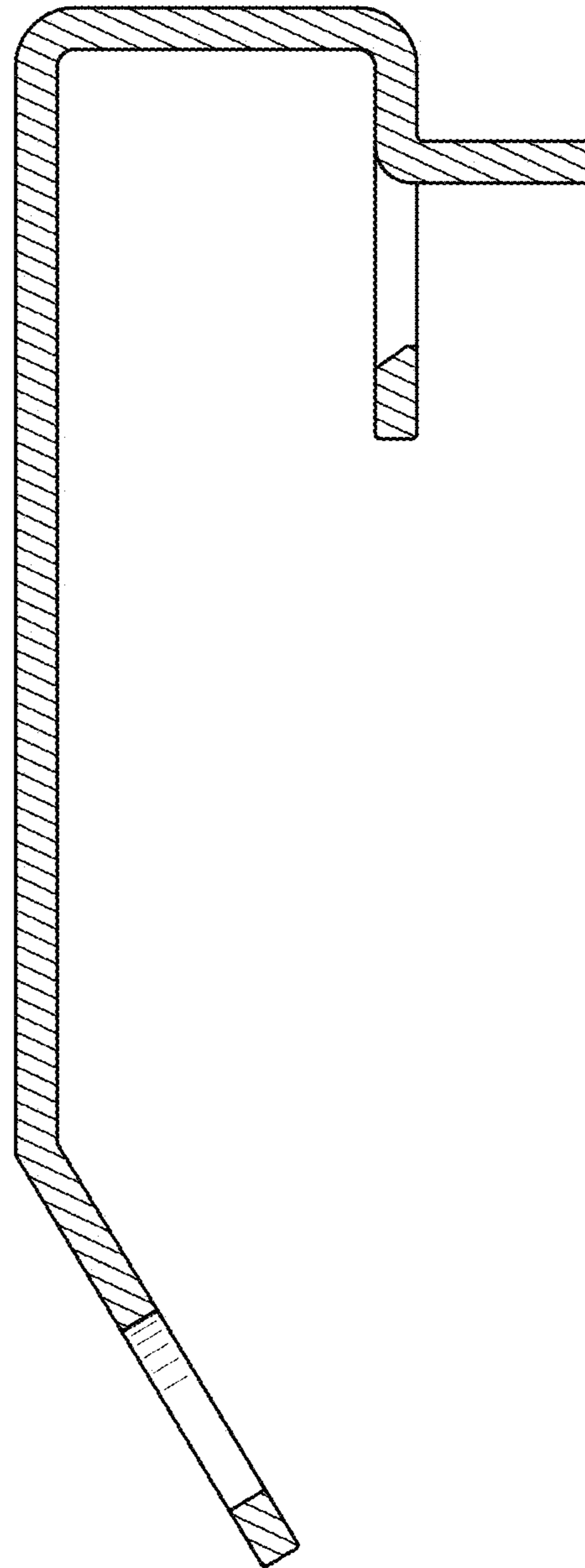


FIG. 2

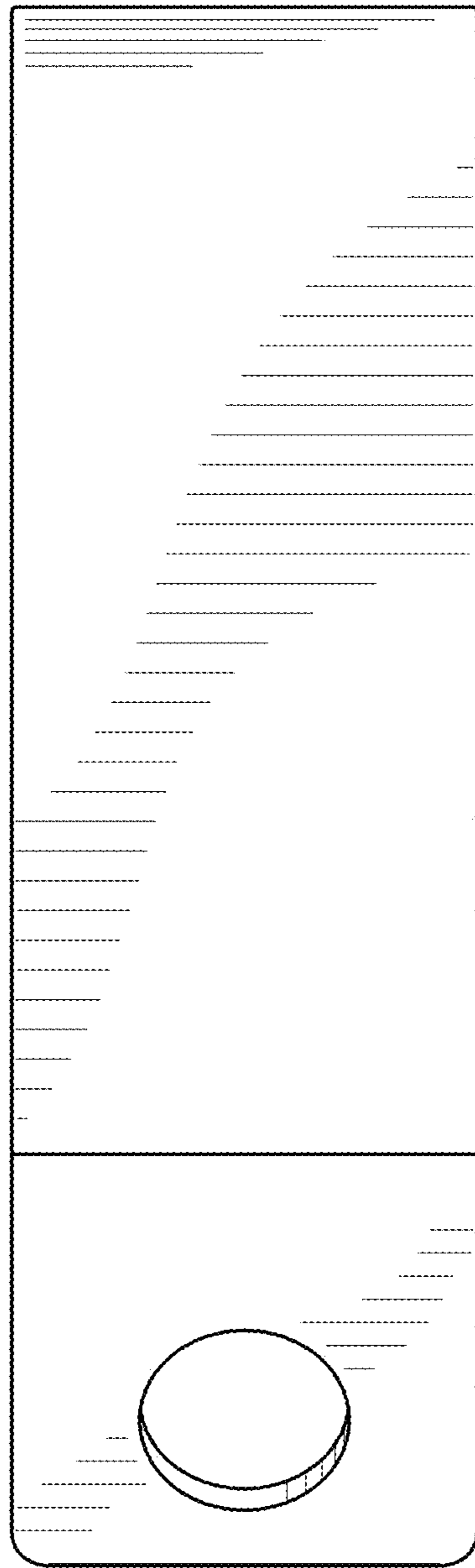


FIG. 3

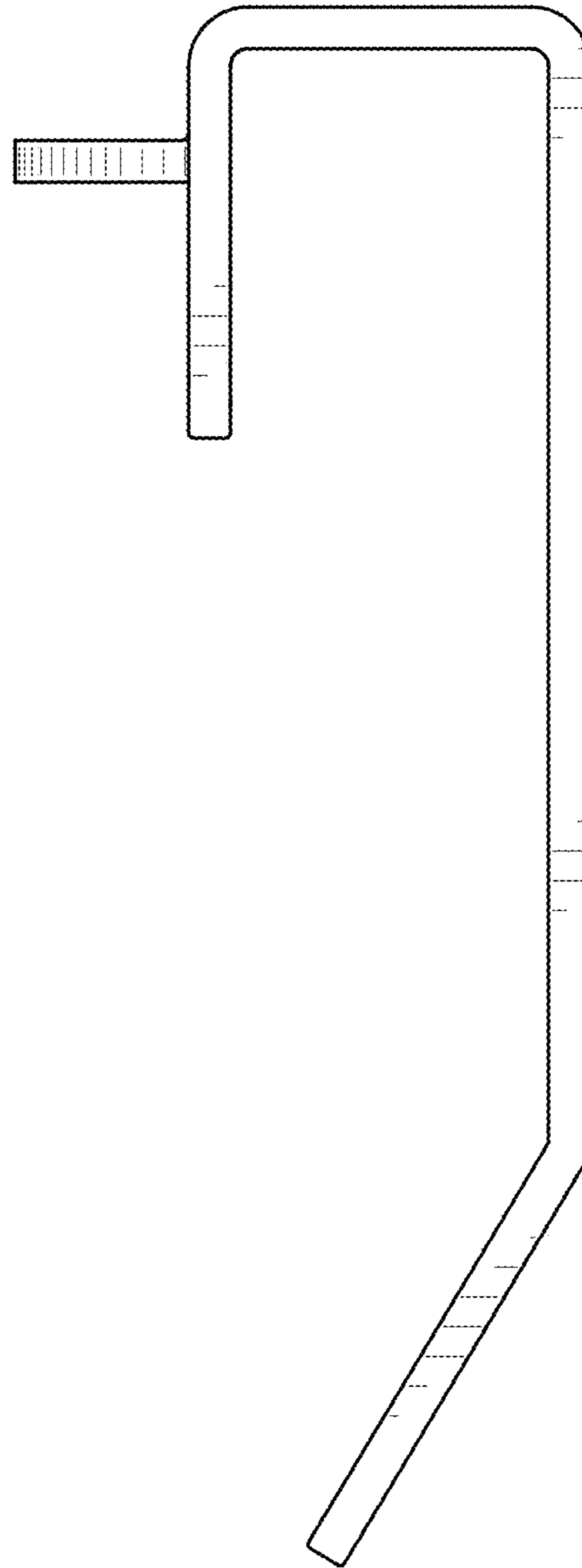


FIG. 4

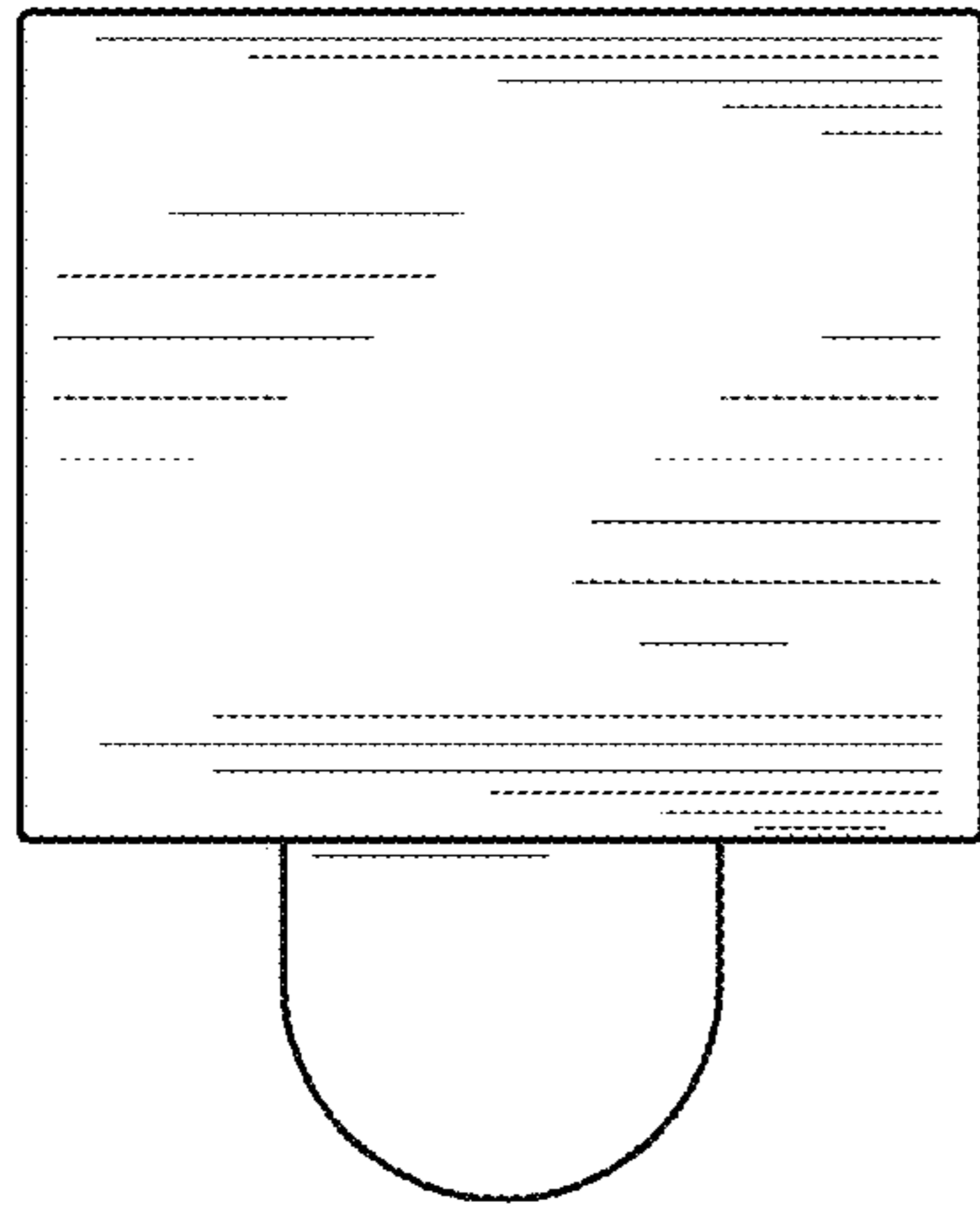


FIG. 5

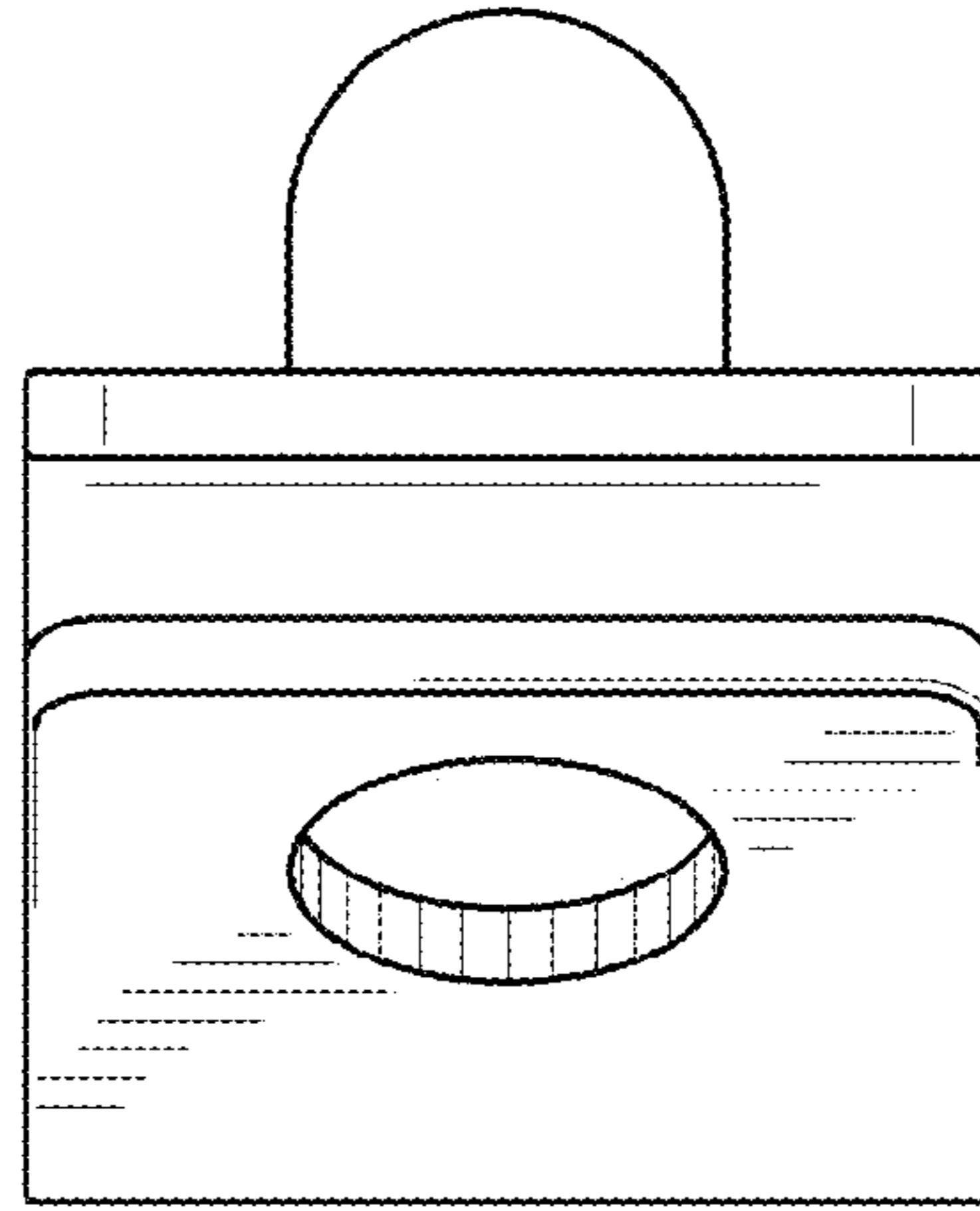


FIG. 6

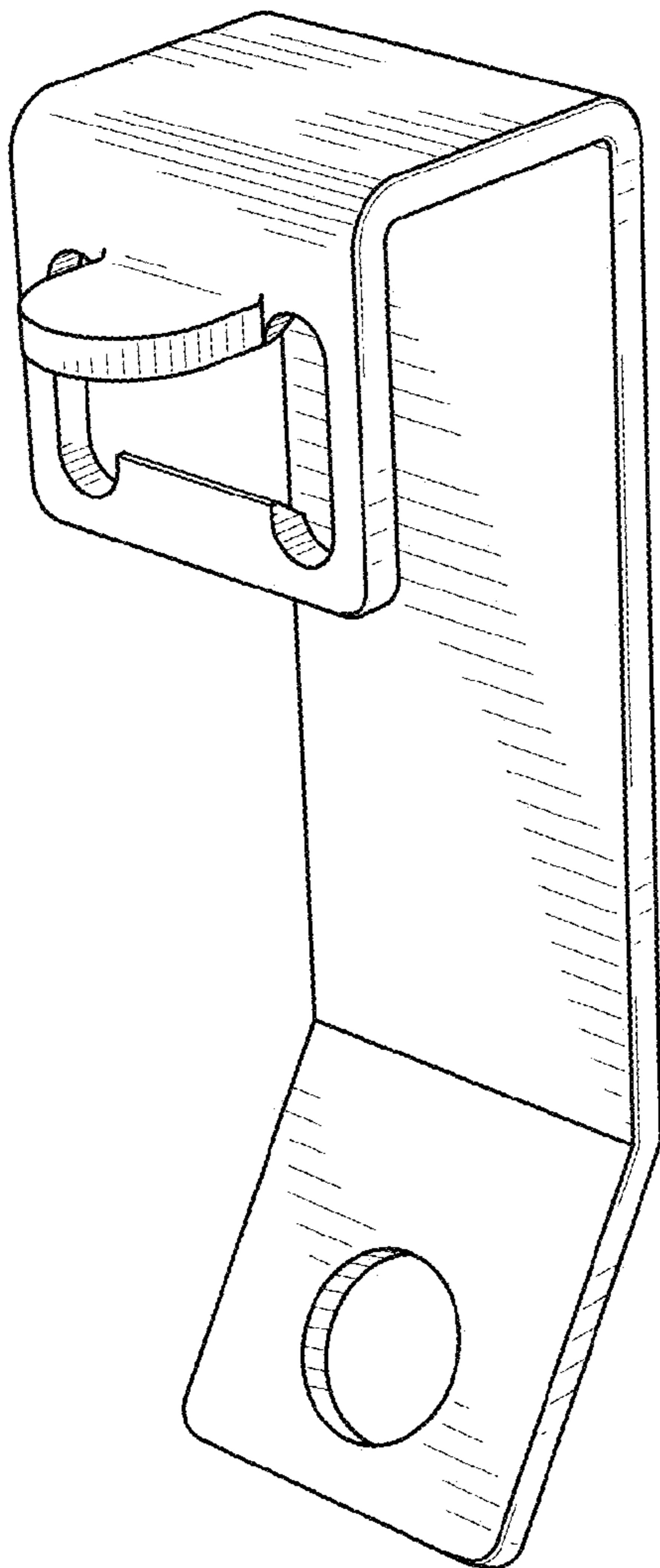


FIG. 7

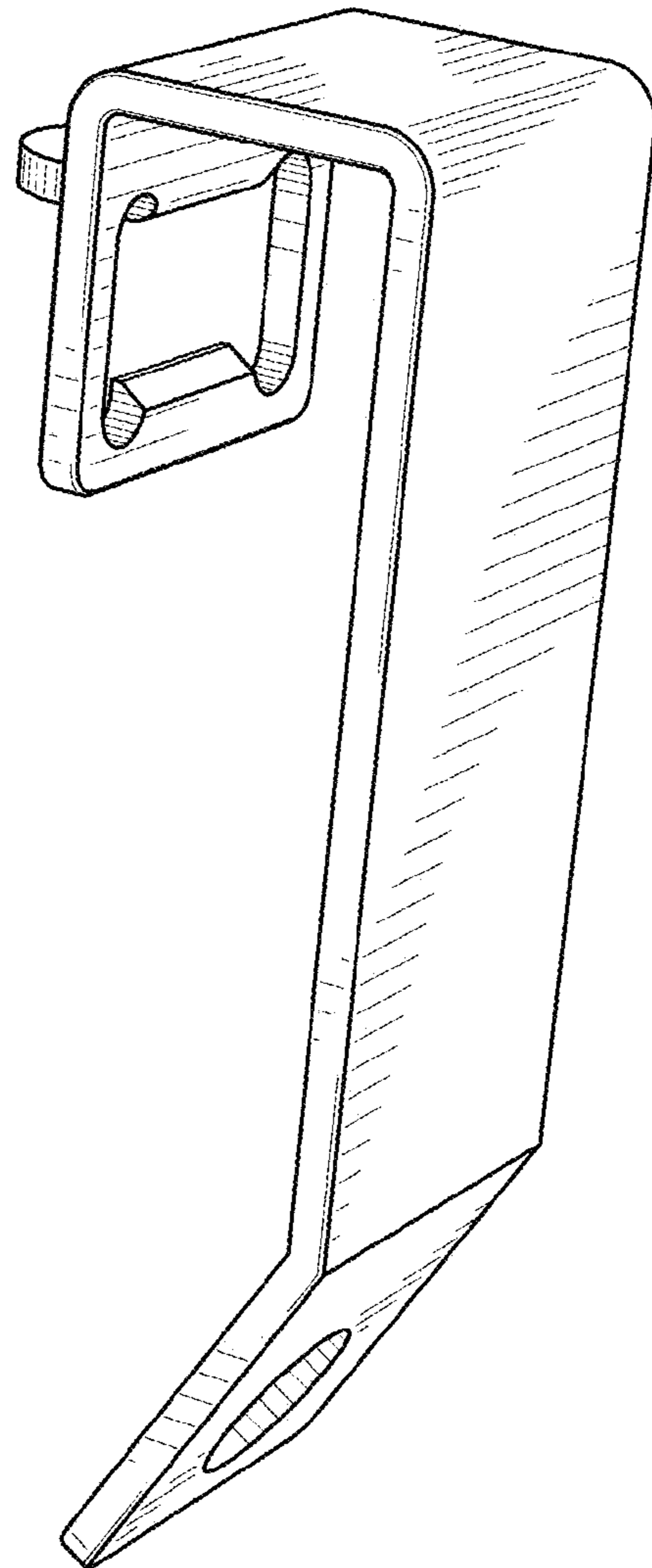


FIG. 8