

US00D902014S

(12) **United States Design Patent** (10) **Patent No.:** **US D902,014 S**
Lagnese, Sr. (45) **Date of Patent:** **** Nov. 17, 2020**

(54) **MOUNT APPARATUS** D665,650 S * 8/2012 Ogden, Jr. D8/354
8,261,954 B2 9/2012 Lee
(71) Applicant: **John G. Lagnese, Sr.**, Middletown, MD (US) 8,348,296 B2 1/2013 Taiga
8,720,758 B2 5/2014 Angeli
8,769,837 B2 7/2014 Min
(72) Inventor: **John G. Lagnese, Sr.**, Middletown, MD (US) 8,998,048 B1 4/2015 Wu
9,186,691 B2 11/2015 Carrozza
9,359,032 B2 6/2016 Freiser
9,638,387 B2 5/2017 Hollingworth
(73) Assignee: **Bup Labs, LLC**, Middletown, MD (US) D880,278 S * 4/2020 Jaramillo D8/354
(Continued)

(**) Term: **15 Years**

(21) Appl. No.: **29/678,095**

(22) Filed: **Jan. 25, 2019**

(51) **LOC (12) Cl.** **08-05**

(52) **U.S. Cl.**
USPC **D8/354**

(58) **Field of Classification Search**
USPC D8/354
CPC A47G 7/044; G09F 7/20
See application file for complete search history.

(56) **References Cited**

U.S. PATENT DOCUMENTS

585,518 A 6/1897 Tufford
597,947 A 1/1898 Ono
625,944 A 5/1899 Yang et al.
650,211 A 5/1900 Wirth
663,121 A 12/1900 Frost
D288,280 S * 2/1987 Schnable 74/606 R
4,966,382 A 10/1990 Giles
5,167,353 A 12/1992 Hughes
6,367,832 B1 4/2002 Vogel
6,431,422 B1 8/2002 Moore
6,712,376 B2 3/2004 Eberhardt
7,025,012 B1 * 4/2006 Pecharich B63B 21/04
114/218
7,293,900 B1 11/2007 Lee
7,431,393 B1 10/2008 Huang
7,815,156 B2 10/2010 Yang

OTHER PUBLICATIONS

Bike Front Light Extender Mount, posted at amazon.com, posting date by Jul. 29, 2016, [online], [site visited Jul. 1, 2020]. Available from Internet, URL: <https://www.amazon.com/Front-Light-Extender-archmount-Extension/dp/B01AUPC1F6?th=1> (Year: 2016).*

(Continued)

Primary Examiner — George D. Kirschbaum

Assistant Examiner — Maria J Edwards

(74) *Attorney, Agent, or Firm* — Leveque IP Law, P.C.

(57) **CLAIM**

What is claimed is the ornamental design for a mount apparatus, as shown and described.

DESCRIPTION

FIG. 1 is a front perspective view of a design for a mount apparatus;

FIG. 2 is a front view thereof;

FIG. 3 is a rear view thereof;

FIG. 4 is a left-side view thereof;

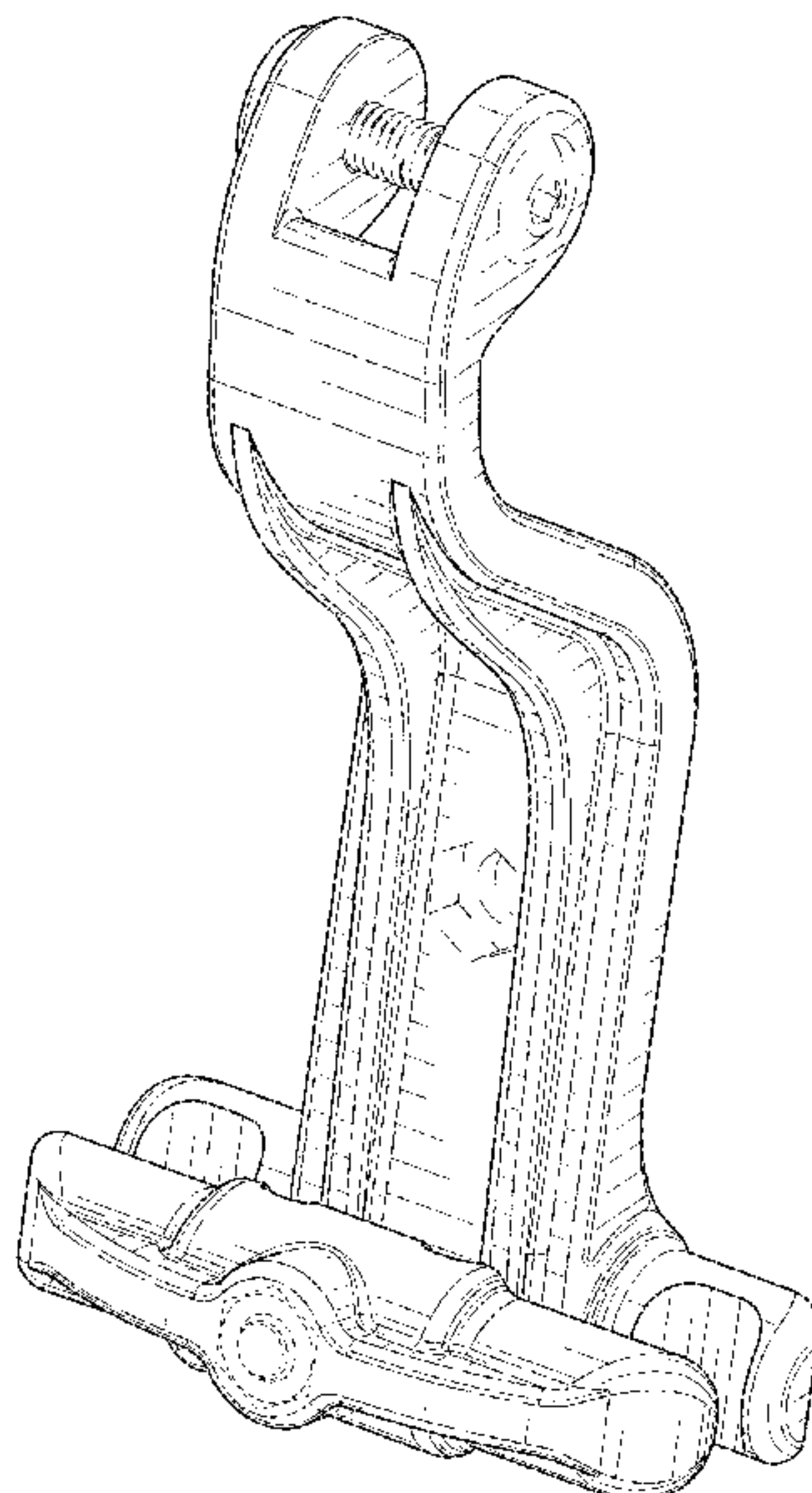
FIG. 5 is a right-side view thereof;

FIG. 6 is a top view thereof; and,

FIG. 7 is a bottom view thereof.

The broken lines in the drawings show portions of the article and form no part of the claimed design.

1 Claim, 6 Drawing Sheets



(56)

References Cited

U.S. PATENT DOCUMENTS

2003/0106919 A1 6/2003 Chuang
2007/0160364 A1 7/2007 Peika
2007/0247858 A1 10/2007 Ford
2008/0251555 A1 10/2008 Andrews
2009/0039125 A1 2/2009 Bock
2009/0071992 A1 3/2009 Franz
2010/0059638 A1 3/2010 Taiga
2010/0084521 A1 4/2010 Cases
2010/0127030 A1 5/2010 Muhlberger
2010/0132167 A1 6/2010 Ueda
2010/0225459 A1 9/2010 Lee
2010/0264184 A1 10/2010 Retief
2014/0157944 A1 6/2014 Galstad
2014/0252188 A1 9/2014 Webster
2014/0263509 A1 9/2014 Oquendo
2015/0183478 A1 7/2015 Tate
2015/0329163 A1 11/2015 Lee

2016/0014377 A1 1/2016 Fiegert
2016/0031508 A1 2/2016 Battigello
2017/0168375 A1 6/2017 Lajoie
2017/0297643 A1 10/2017 Chuang
2017/0313374 A1 11/2017 Chen
2017/0334498 A1 11/2017 Yu
2018/0037285 A1 2/2018 Chuang
2018/0111654 A1 4/2018 Emerson
2018/0127042 A1 5/2018 Kerbel
2018/0170469 A1 6/2018 Zheng
2019/0178599 A1* 6/2019 Pintar F41A 23/18

OTHER PUBLICATIONS

Planet Bike Fork Mount Bike Headlight Bracket, posted at amazon.com, posting date by May 30, 2018, [online], [site visited Jul. 1, 2020]. Available from Internet, URL: <https://www.amazon.com/Planet-Bike-Mount-Headlight-Bracket/dp/B076C9KKRT> (Year: 2018).*

* cited by examiner

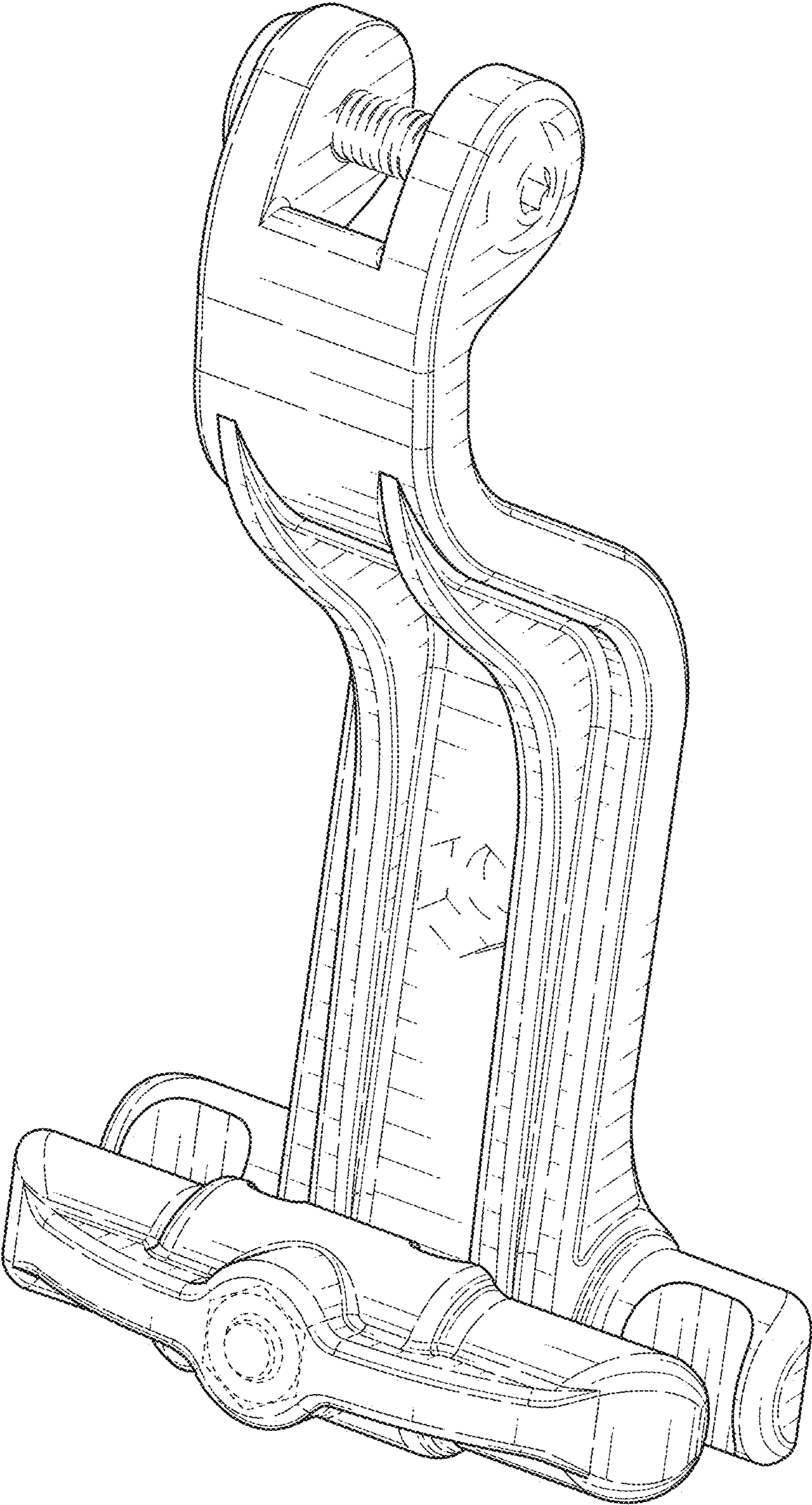


FIG. 1

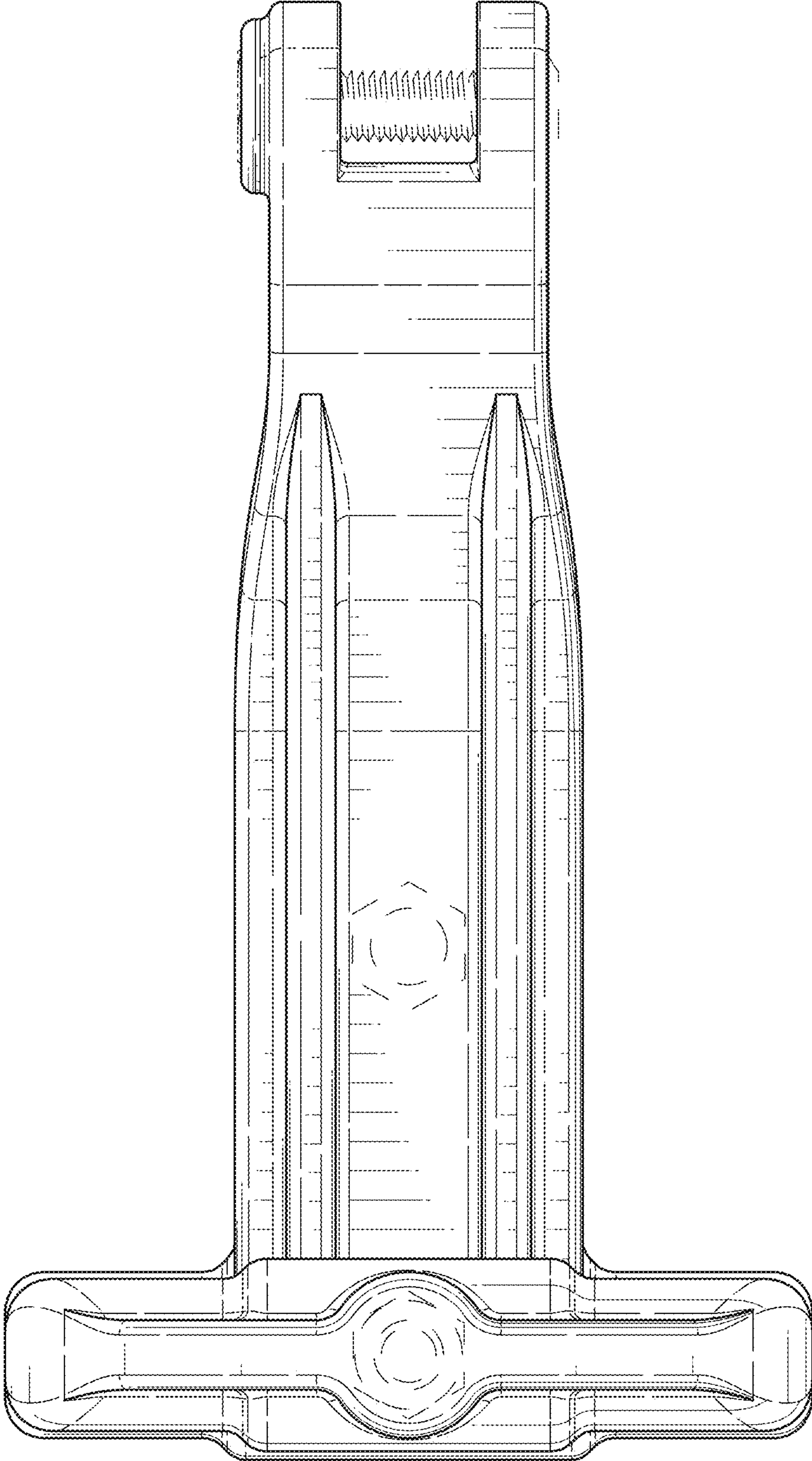


FIG. 2

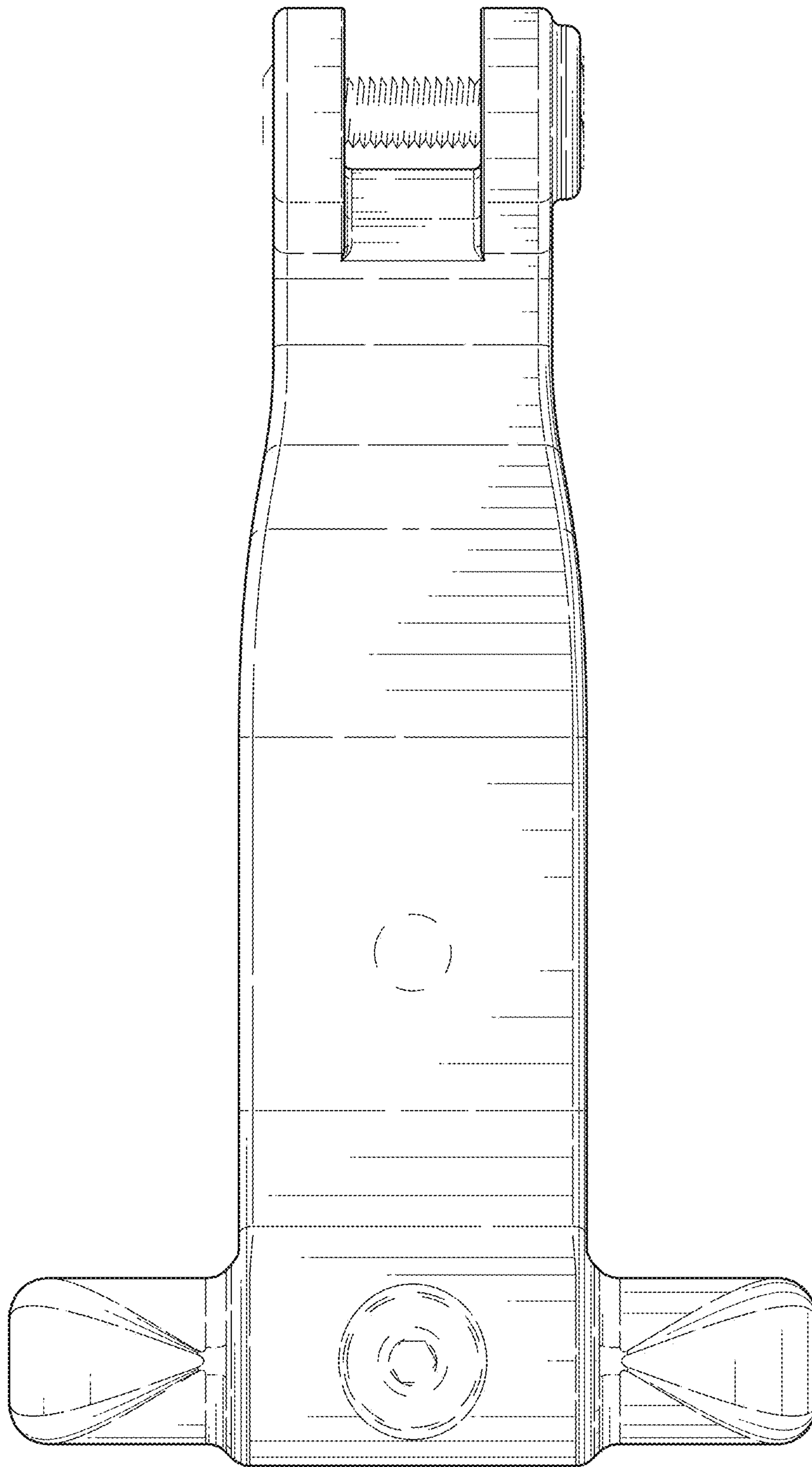


FIG. 3

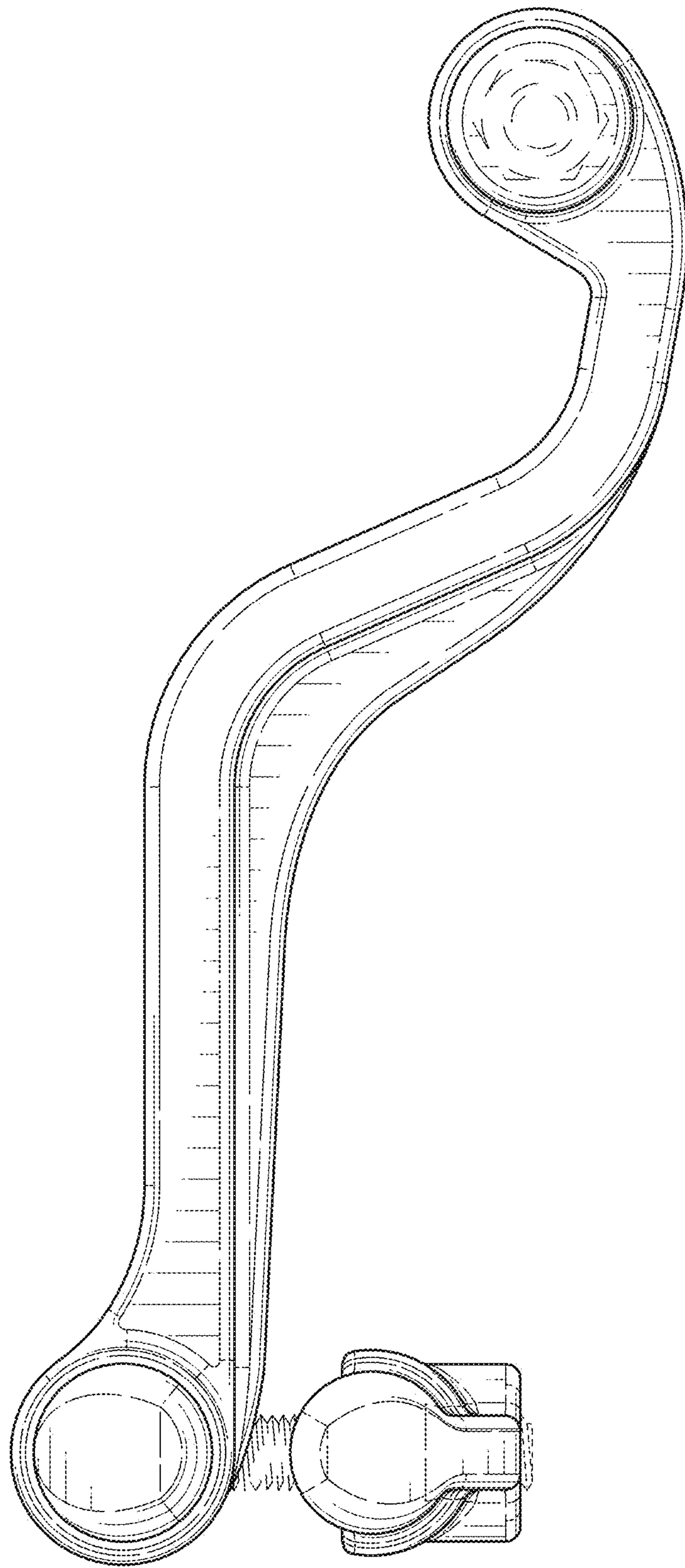


FIG. 4

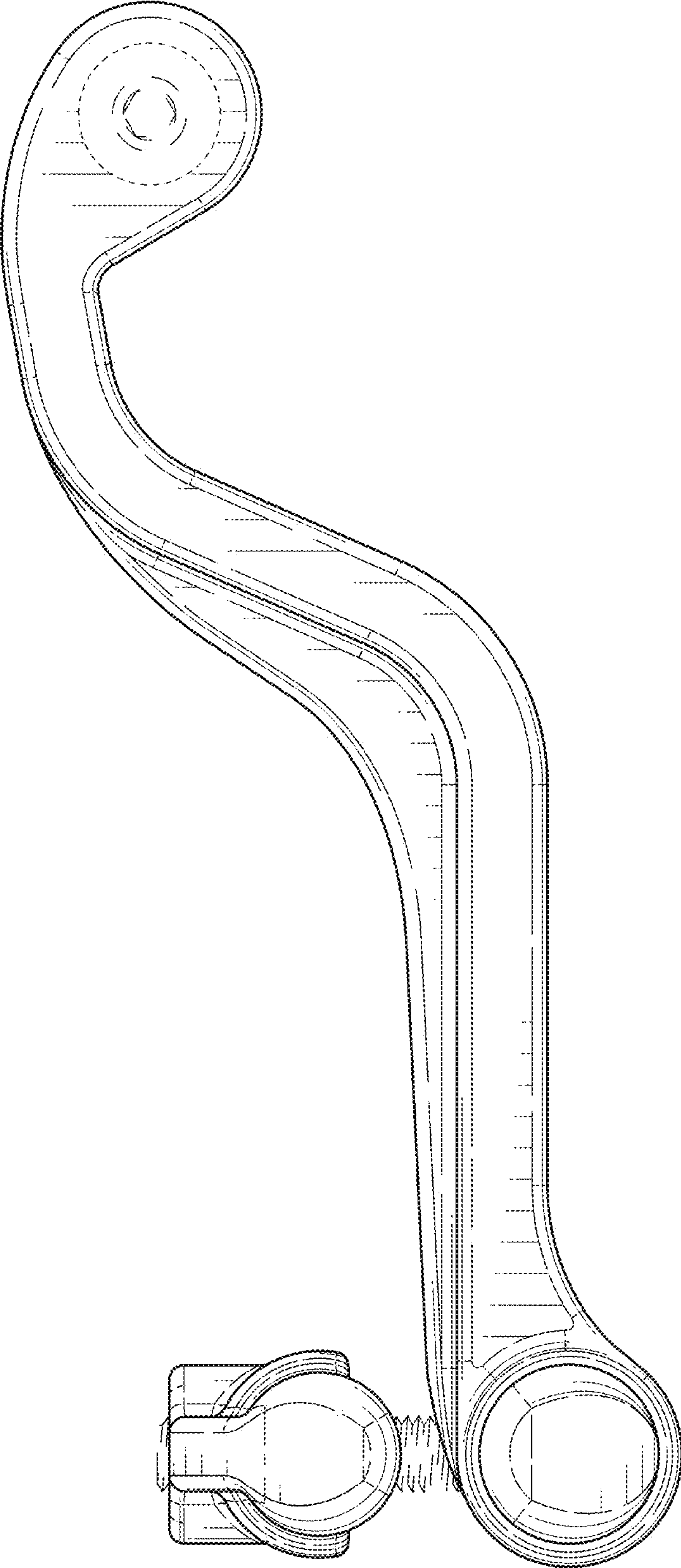


FIG. 5

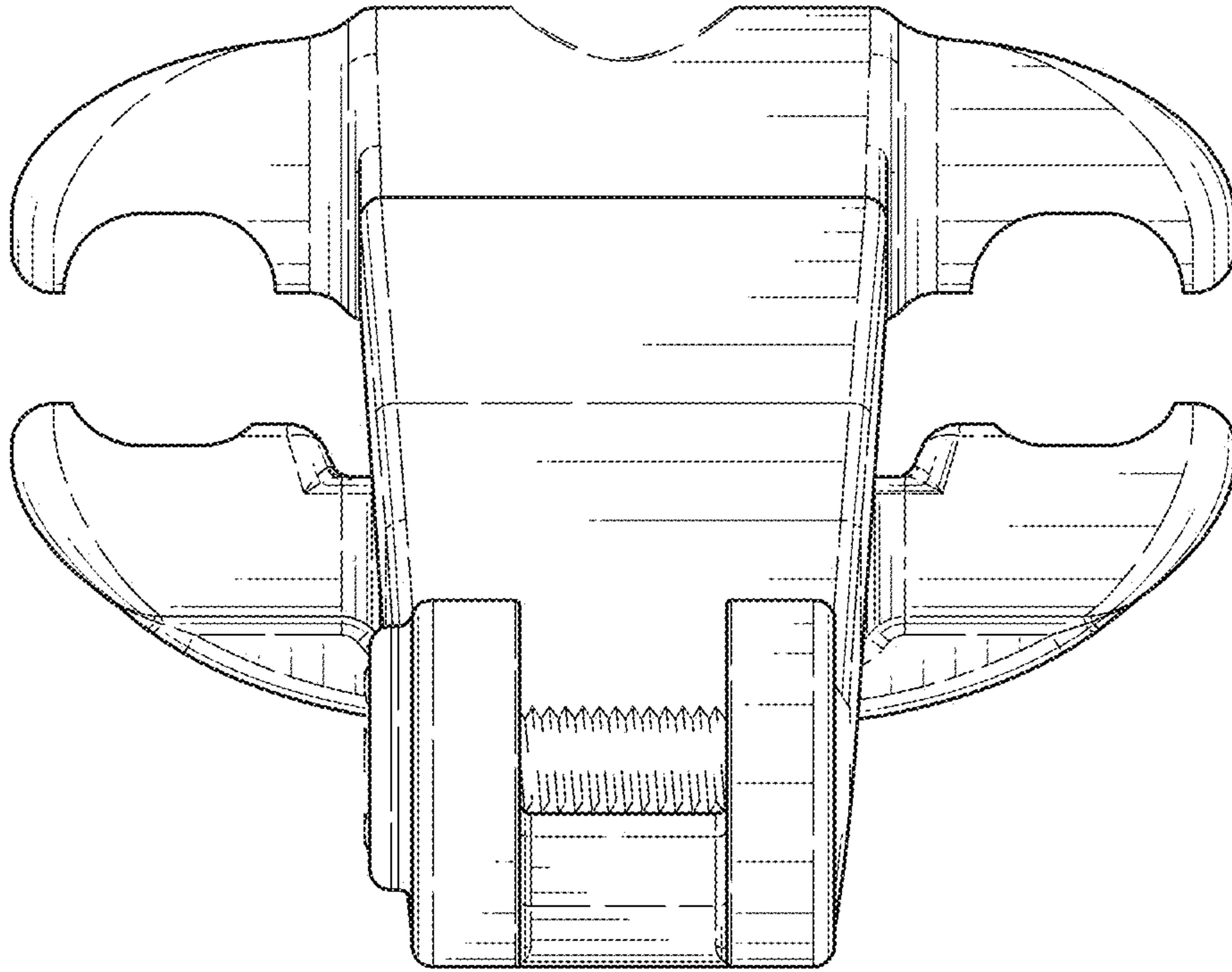


FIG. 6

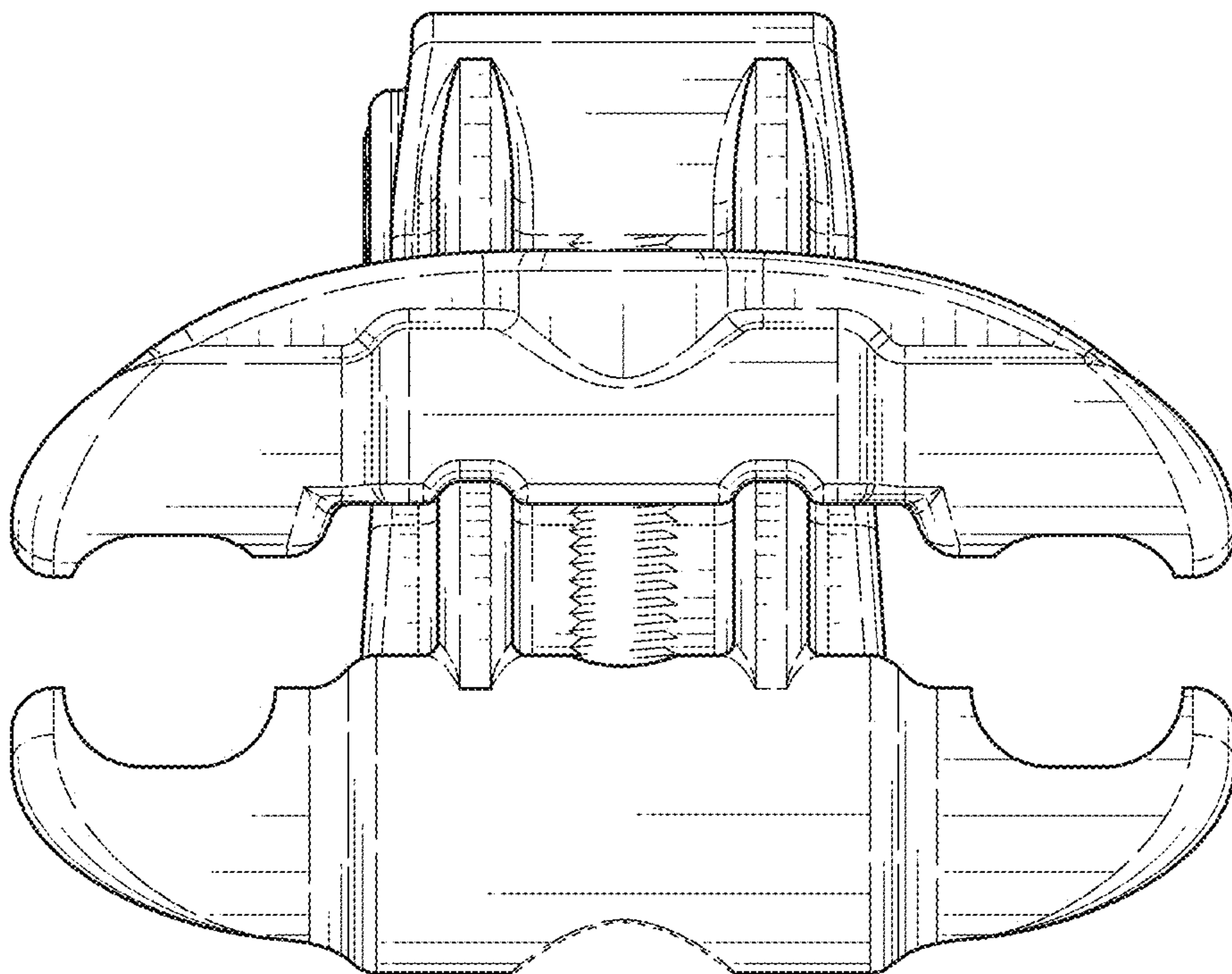


FIG. 7