

US00D902013S

(12) **United States Design Patent** (10) **Patent No.:** **US D902,013 S**
Porter et al. (45) **Date of Patent:** **** Nov. 17, 2020**

(54) **CLIP FOR A FIRE COLLAR**

OTHER PUBLICATIONS

(71) Applicants: **Promat Australia Pty Ltd**, Adelaide (AU); **Promat GmbH**, Linz (AT)

3M Fire Barrier Restricting Collar, posted at grainger.com, posting date not given, [online], [site visited Jul. 1, 2020]. Available from Internet, URL: <https://www.grainger.com/product/3M-Fire-Barrier-Restricting-Collar-2JDF7> (Year: 2020).*

(72) Inventors: **Raymond Porter**, Stirling (AU); **Edwin Gauch**, Wilhering (AT)

Promastop UniCollar, posted at pronnat-ap.com, posting date not given, [online], [site visited Jul. 1, 2020]. Available from Internet, URL: <https://www.promat-ap.com/en/products/fire-stopping/promastop-unicollar> (Year: 2020).*

(73) Assignees: **Promat Australia Pty Ltd**, Adelaide (AU); **Etex Building Performance GmbH**, Linz (AT)

* cited by examiner

(**) Term: **15 Years**

Primary Examiner — George D. Kirschbaum

Assistant Examiner — Maria J Edwards

(21) Appl. No.: **29/674,898**

(74) *Attorney, Agent, or Firm* — Dilworth & Barrese, LLP

(22) Filed: **Dec. 27, 2018**

(57) **CLAIM**

(30) **Foreign Application Priority Data**

The ornamental design for a clip for a fire collar, as shown and described.

Jul. 3, 2018 (EM) 005379500-0001
Jul. 3, 2018 (EM) 005379500-0002
Jul. 3, 2018 (EM) 005379500-0003
Jul. 3, 2018 (EM) 005379500-0004

DESCRIPTION

(51) **LOC (12) Cl.** **08-05**

FIG. 1 is a left front perspective view from above of a clip for a fire collar showing our new design;

(52) **U.S. Cl.**

FIG. 2 is an inverted left side elevational view of the clip for a fire collar of FIG. 1;

USPC **D8/354**

FIG. 3 is an inverted rear elevational view of the clip for a fire collar of FIGS. 1 and 2;

(58) **Field of Classification Search**

USPC D8/354

FIG. 4 is an inverted right side elevational view of the clip for a fire collar of FIGS. 1-3;

CPC F16L 5/04; F16L 55/1026

FIG. 5 is a top plan view of the clip for a fire collar of FIGS. 1-4;

See application file for complete search history.

FIG. 6 is an inverted front elevational view of the clip for a fire collar of FIGS. 1-5; and,

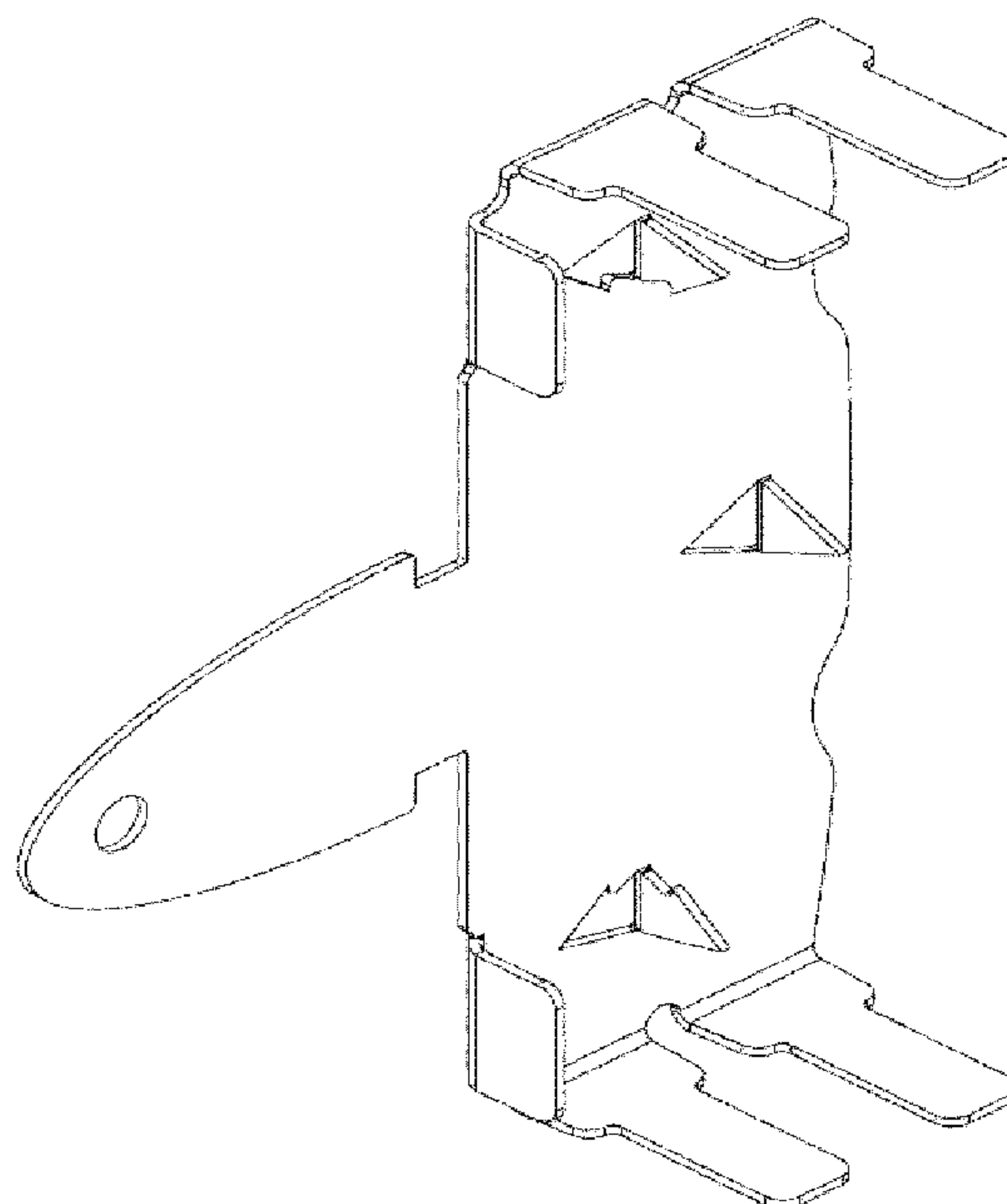
(56) **References Cited**

U.S. PATENT DOCUMENTS

FIG. 7 is a right front perspective view from above of the clip for a fire collar of FIGS. 1-6.

D657,658 S * 4/2012 Jones D8/354
D863,040 S * 10/2019 DeDios-Shirley D8/354
D865,487 S * 11/2019 DeDios-Shirley D8/354

1 Claim, 7 Drawing Sheets



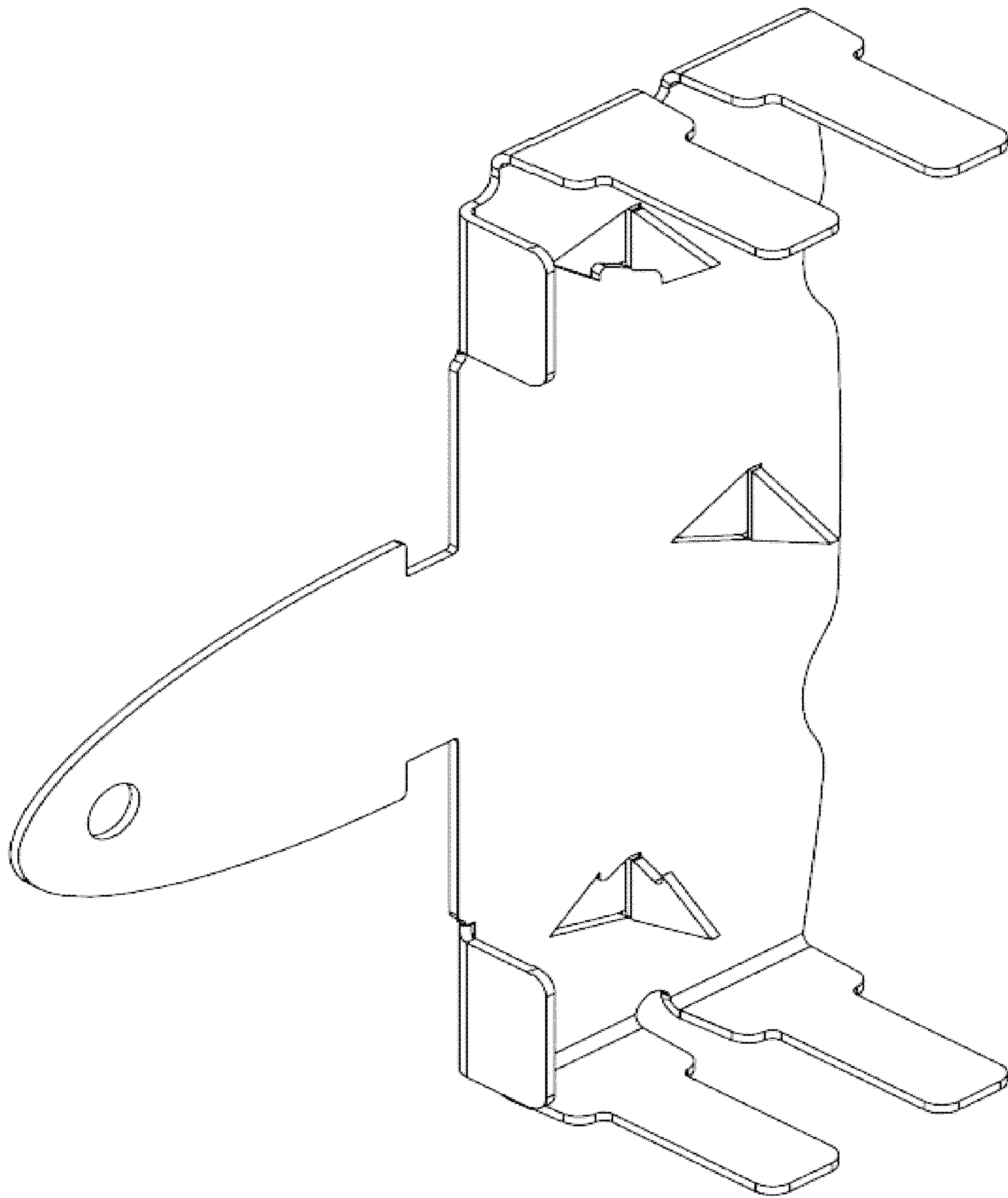


Fig. 1

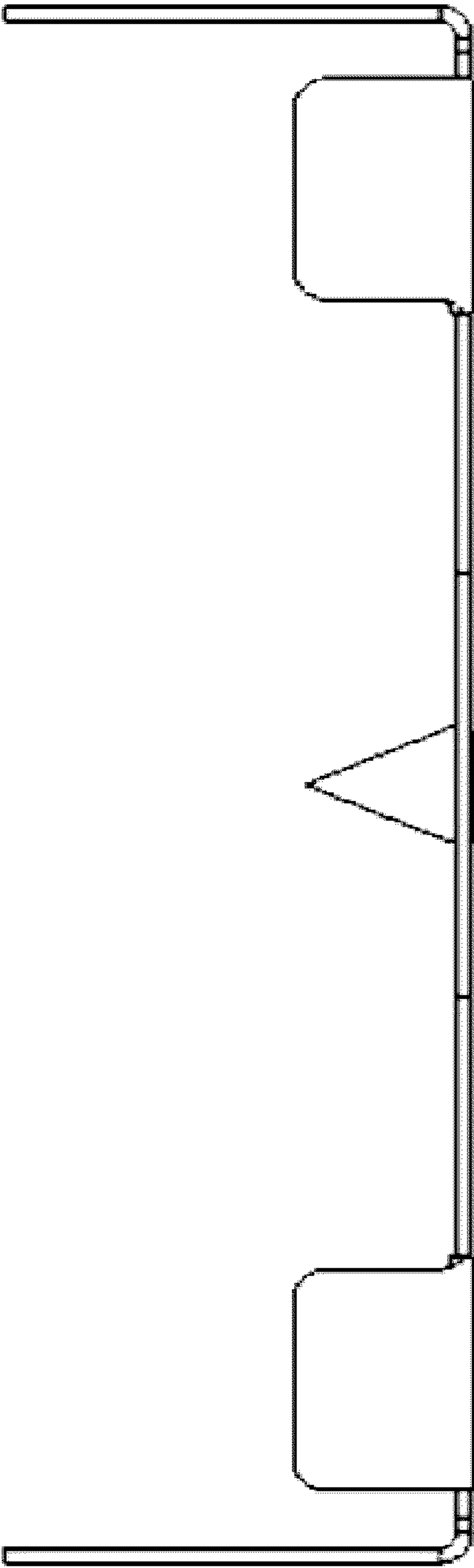


Fig. 2

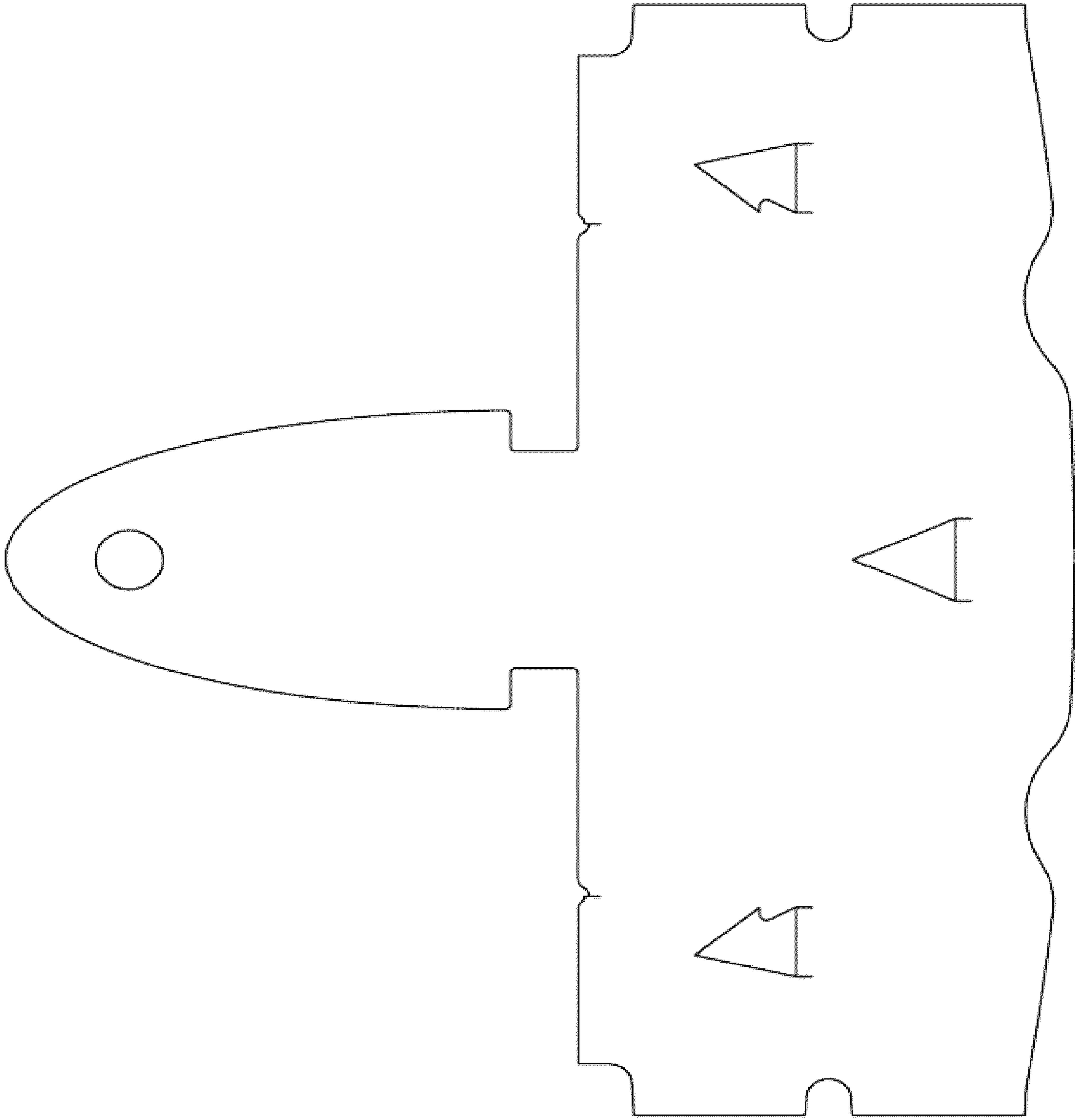


Fig. 3

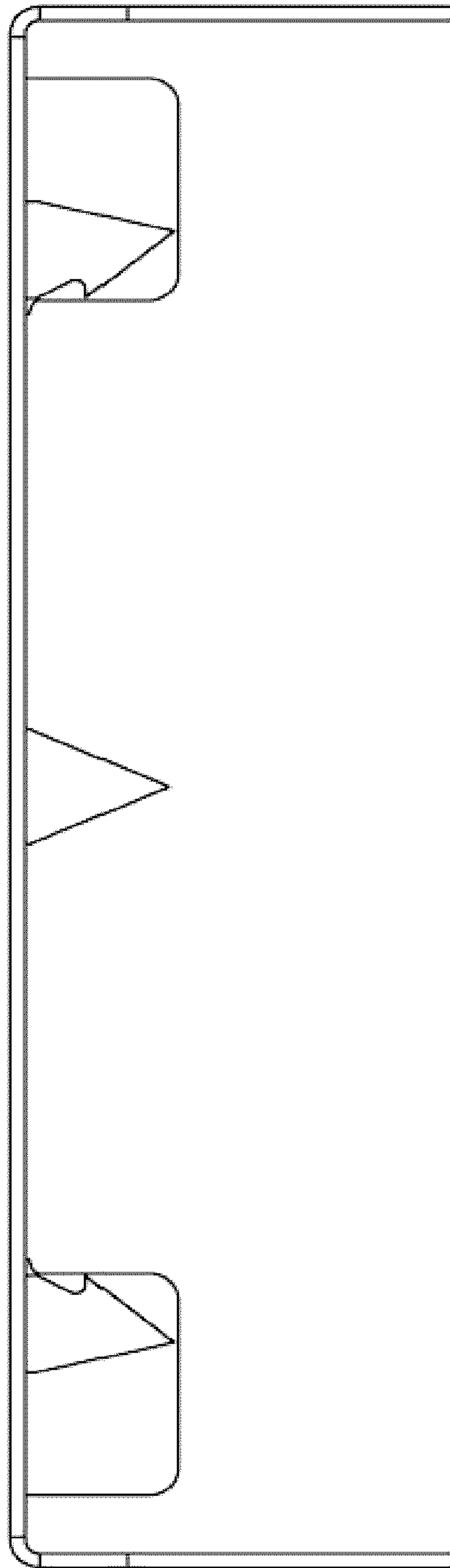


Fig. 4

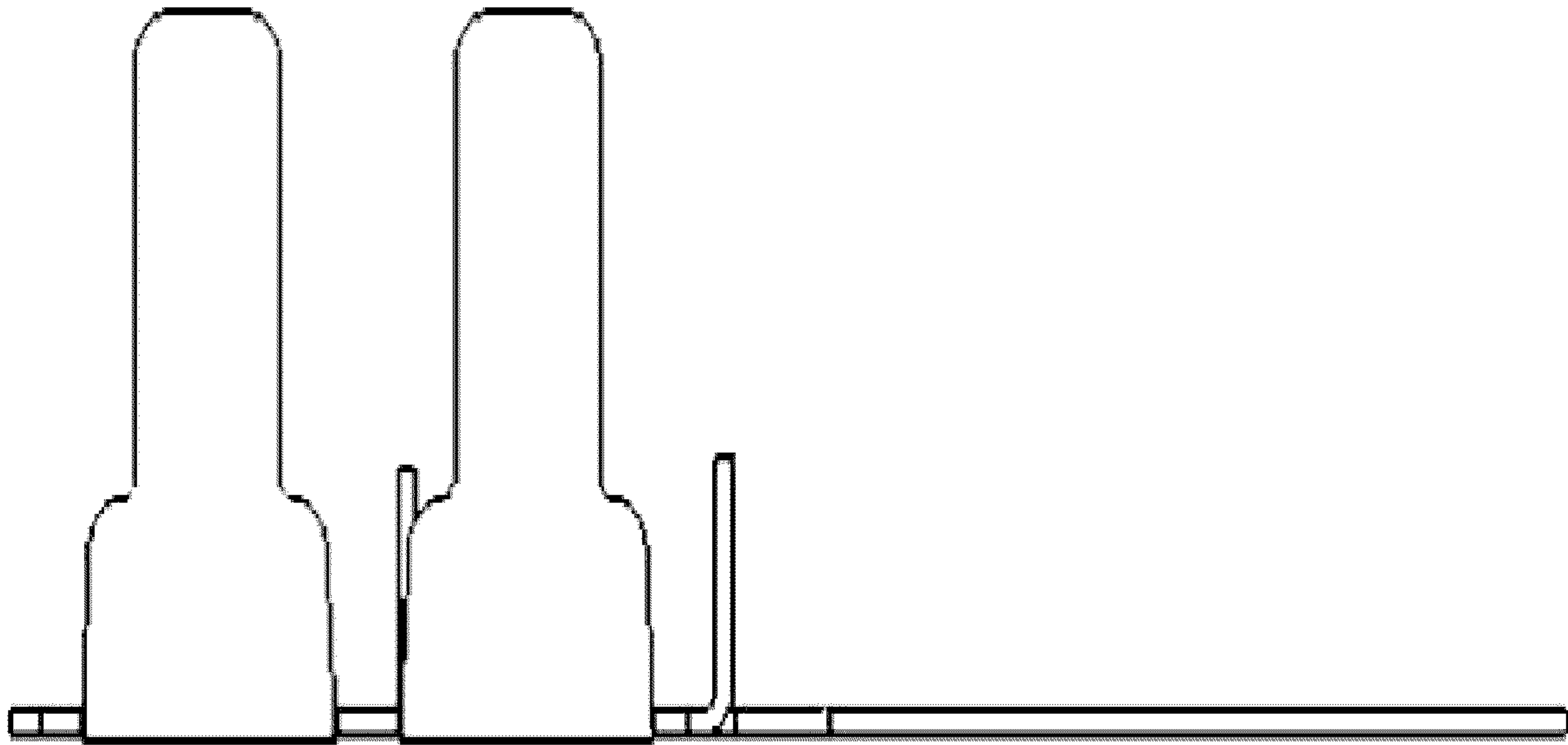


Fig. 5

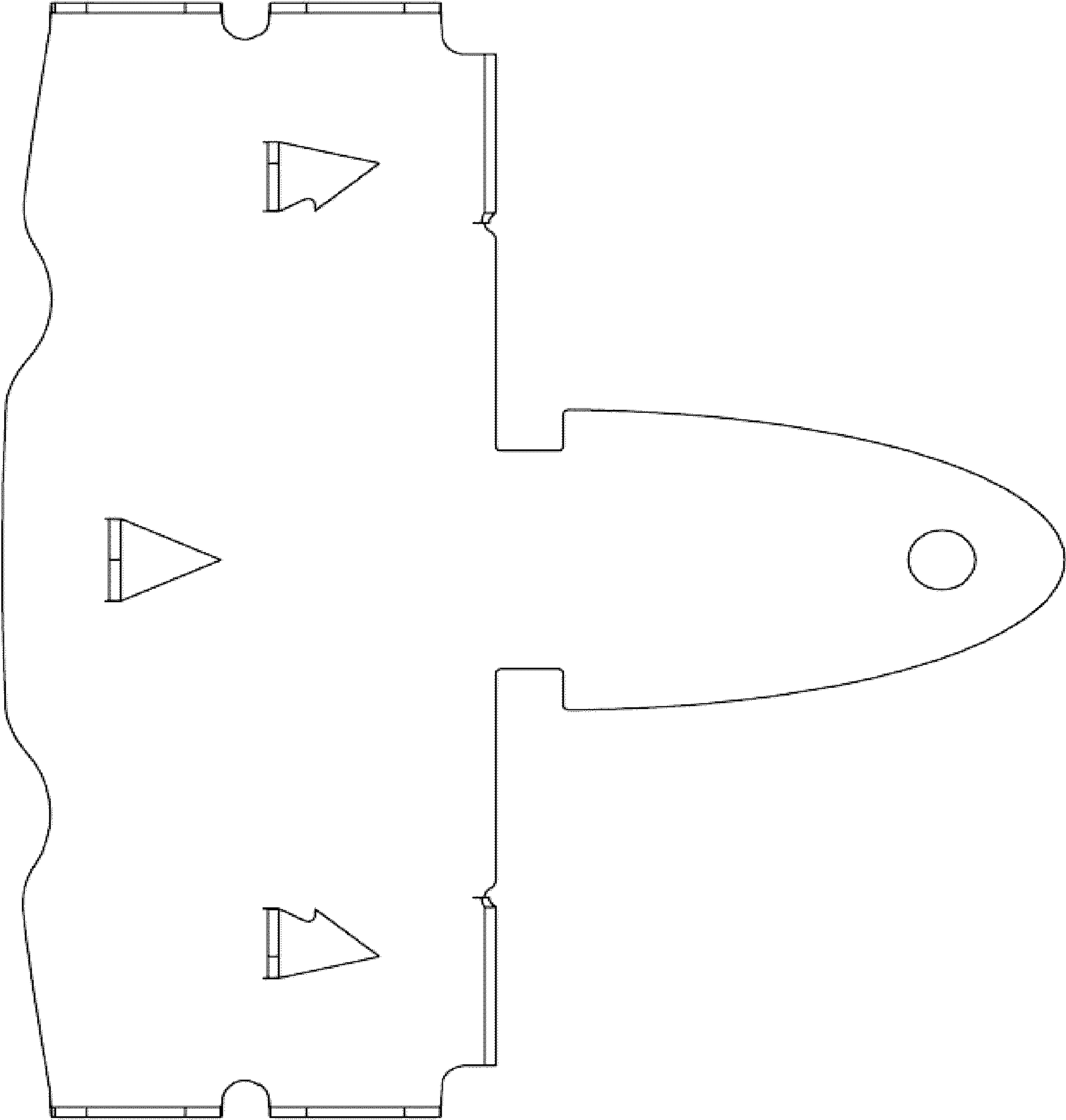


Fig. 6

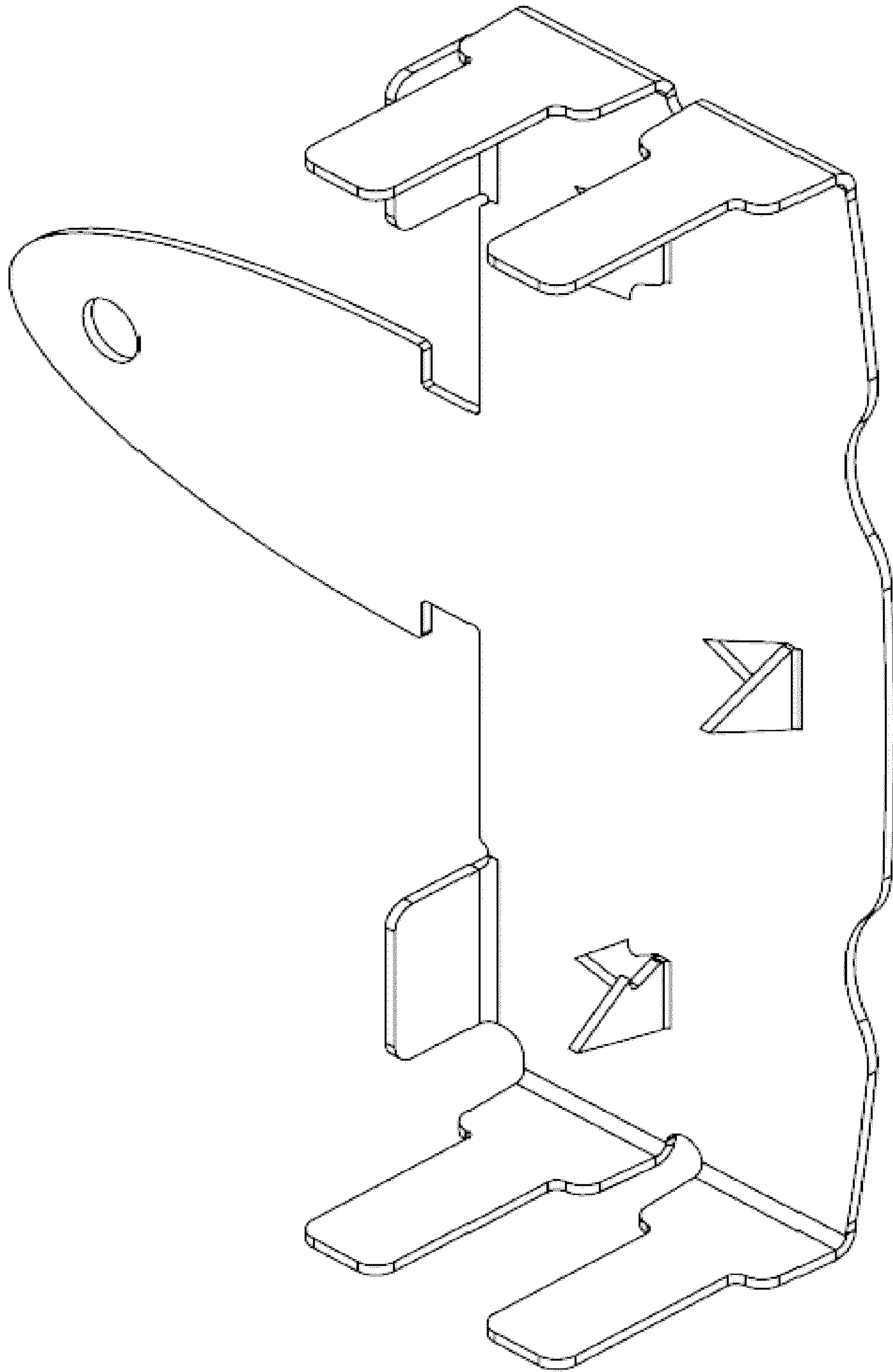


Fig. 7