



US00D902011S

(12) **United States Design Patent**  
**Groen**

(10) **Patent No.:** **US D902,011 S**

(45) **Date of Patent:** **\*\* Nov. 17, 2020**

(54) **HVAC CLIP**

(71) Applicant: **NORMA Germany GmbH**, Maintal (DE)

(72) Inventor: **Marcel Ralph Groen**, Zwaagdijk-West (NL)

(73) Assignee: **NORMA Germany GmbH**, Maintal (DE)

(\*\*) Term: **15 Years**

(21) Appl. No.: **29/689,851**

(22) Filed: **May 2, 2019**

(51) **LOC (12) Cl.** ..... **08-08**

(52) **U.S. Cl.**  
USPC ..... **D8/349**

(58) **Field of Classification Search**  
USPC ..... D23/322, 354, 358, 386, 411, 418, 499;  
D8/14, 71, 72, 349, 354, 355, 371, 380,  
D8/381, 382, 394, 396, 499  
CPC .... F16B 2/12; F16B 2/065; F16B 7/00; F16B  
7/04; F16B 7/0446; F16B 7/0486; F16L  
3/02; F16L 3/10; F16L 3/1016; F16L  
3/1091; F16M 13/022; H01Q 1/12; H01Q  
1/1207; H01Q 1/1228; H01Q 1/125  
See application file for complete search history.

(56) **References Cited**

**U.S. PATENT DOCUMENTS**

D556,546 S \* 12/2007 Swanson ..... D8/354  
7,441,731 B2 \* 10/2008 Smart ..... F16L 3/02  
248/68.1  
8,807,492 B2 \* 8/2014 Lake ..... F16L 1/0246  
248/68.1  
D738,704 S \* 9/2015 Watson ..... D8/349

D757,924 S \* 5/2016 Briggs ..... D23/386  
D767,796 S \* 9/2016 Kinsman ..... D25/133  
D778,420 S \* 2/2017 Israel ..... D23/370  
D782,292 S \* 3/2017 Wessel ..... D8/382  
D824,430 S \* 7/2018 Sivinski ..... D15/28  
D837,638 S \* 1/2019 Sargent ..... D8/380  
D840,282 S \* 2/2019 Coste ..... D12/162  
D872,908 S \* 1/2020 Johnston ..... D25/199  
D875,487 S \* 2/2020 Stottlemeyer, Jr. .... D8/14  
D883,078 S \* 5/2020 Ma ..... D8/394  
D883,764 S \* 5/2020 Schiavone ..... D8/71  
D883,774 S \* 5/2020 Comalander ..... D8/380

**FOREIGN PATENT DOCUMENTS**

DE 102015101607 B3 \* 5/2016 ..... F16L 33/02

\* cited by examiner

*Primary Examiner* — Mark A Goodwin

*Assistant Examiner* — Benjamin M Weeks

(74) *Attorney, Agent, or Firm* — Reising Ethington, P.C.

(57) **CLAIM**

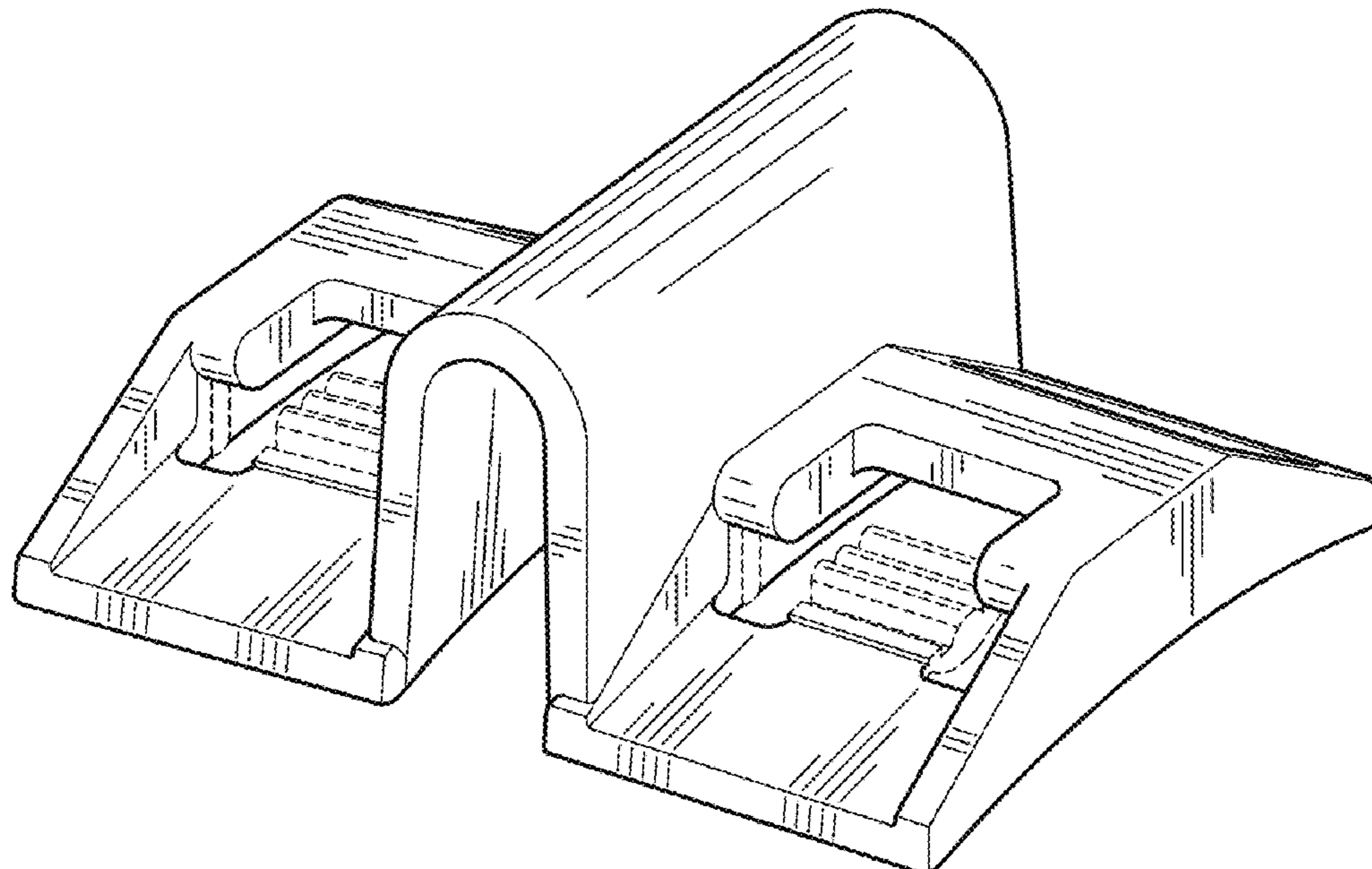
The ornamental design for a HVAC clip, as shown and described.

**DESCRIPTION**

FIG. 1 is a front perspective view of the HVAC clip;  
FIG. 2 is a rear perspective view thereof;  
FIG. 3 is a front view thereof;  
FIG. 4 is a right side view thereof (where the left side view is a mirror image of the right side view);  
FIG. 5 is a top view thereof;  
FIG. 6 is a bottom view thereof; and,  
FIG. 7 is a rear view thereof.

The broken lines in the drawings illustrate portions of the HVAC clip that form no part of the claimed design.

**1 Claim, 2 Drawing Sheets**



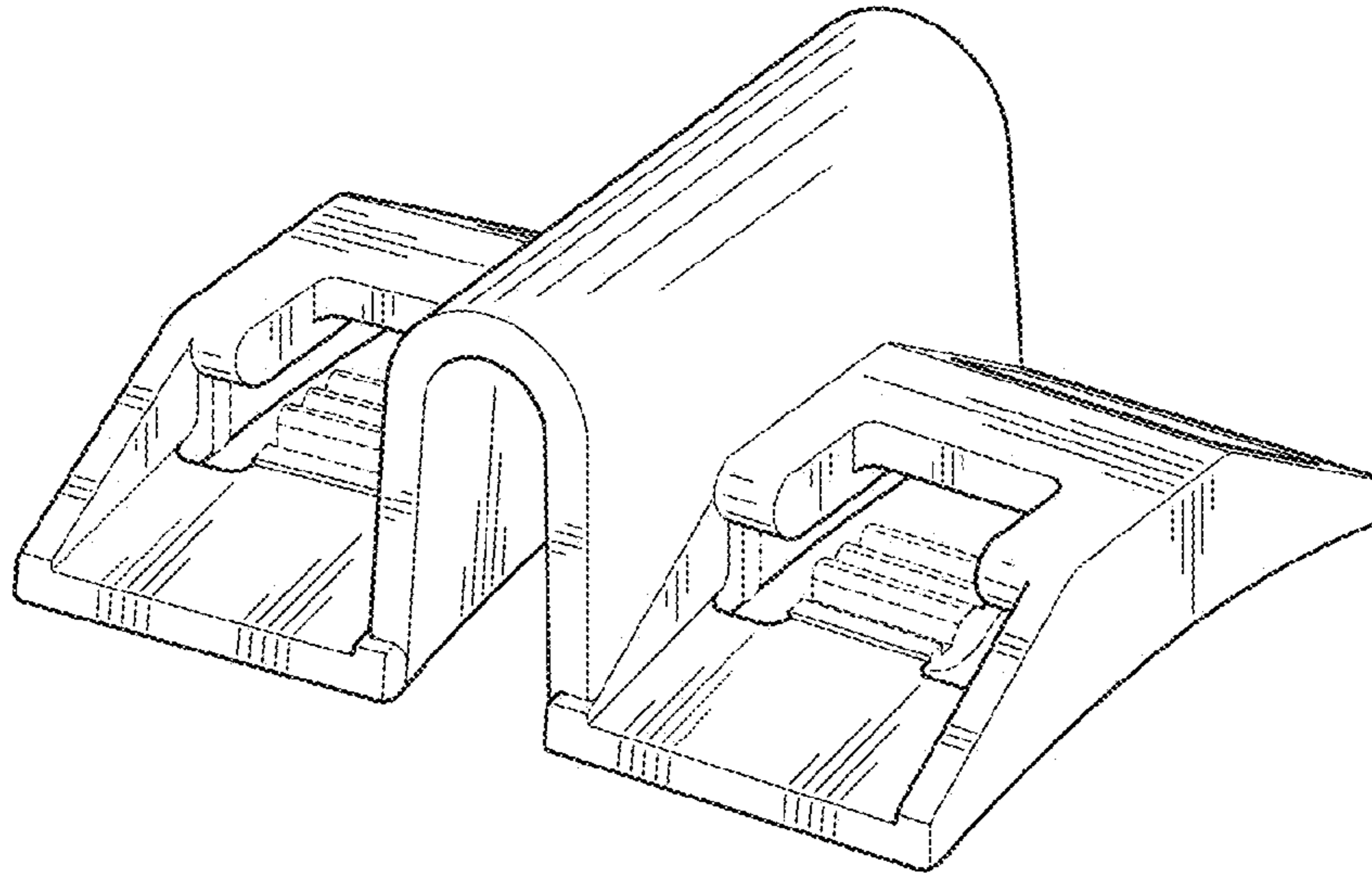


FIG. 1

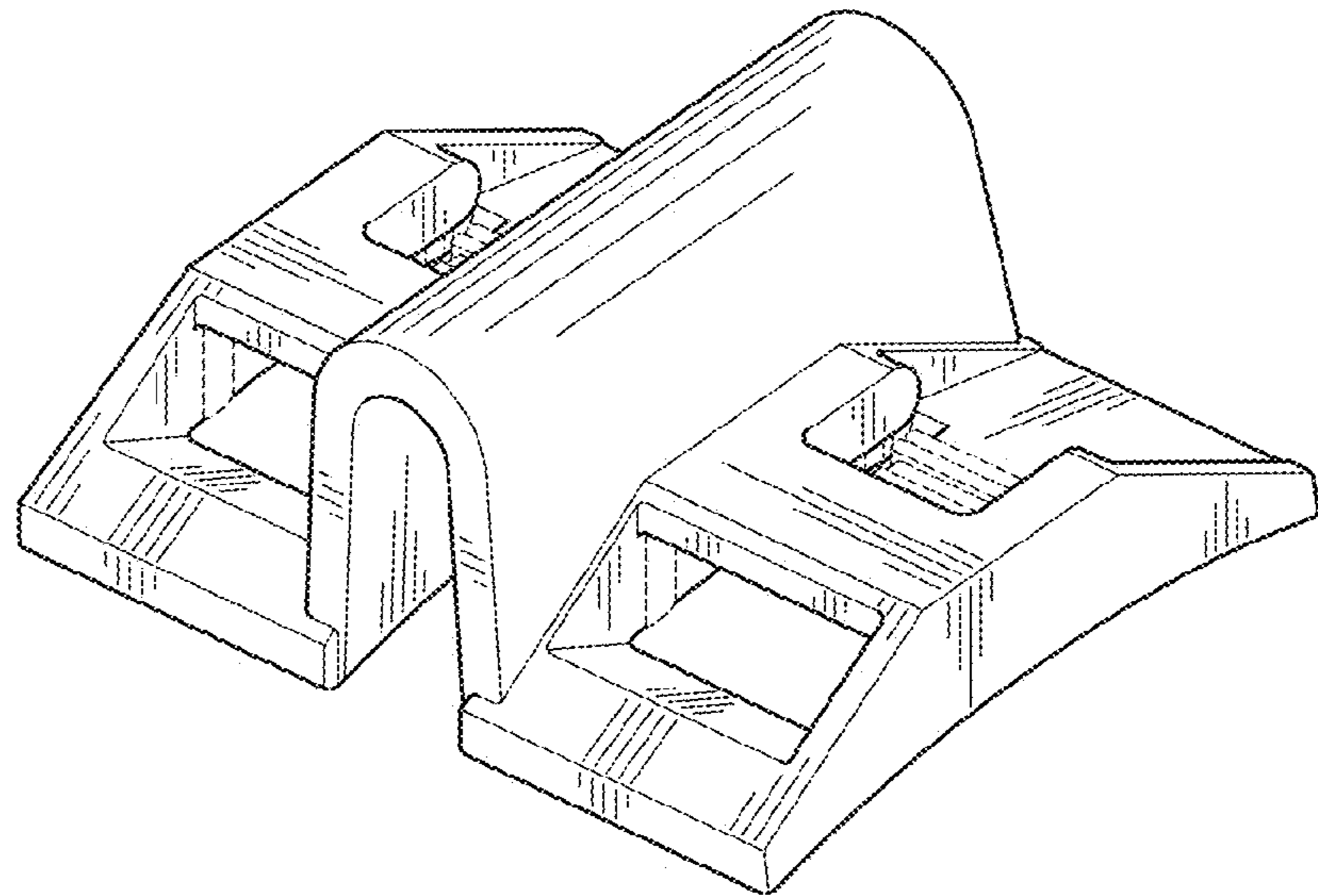


FIG. 2

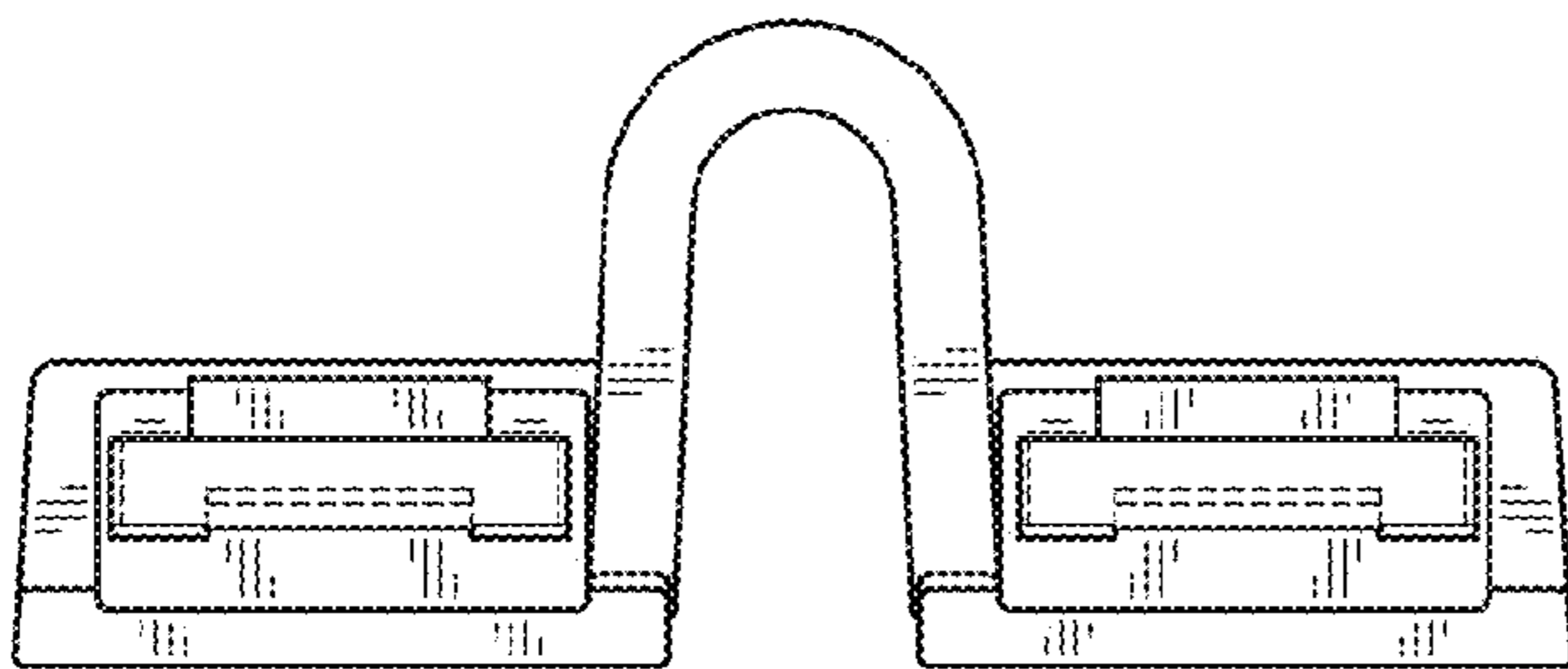


FIG. 3

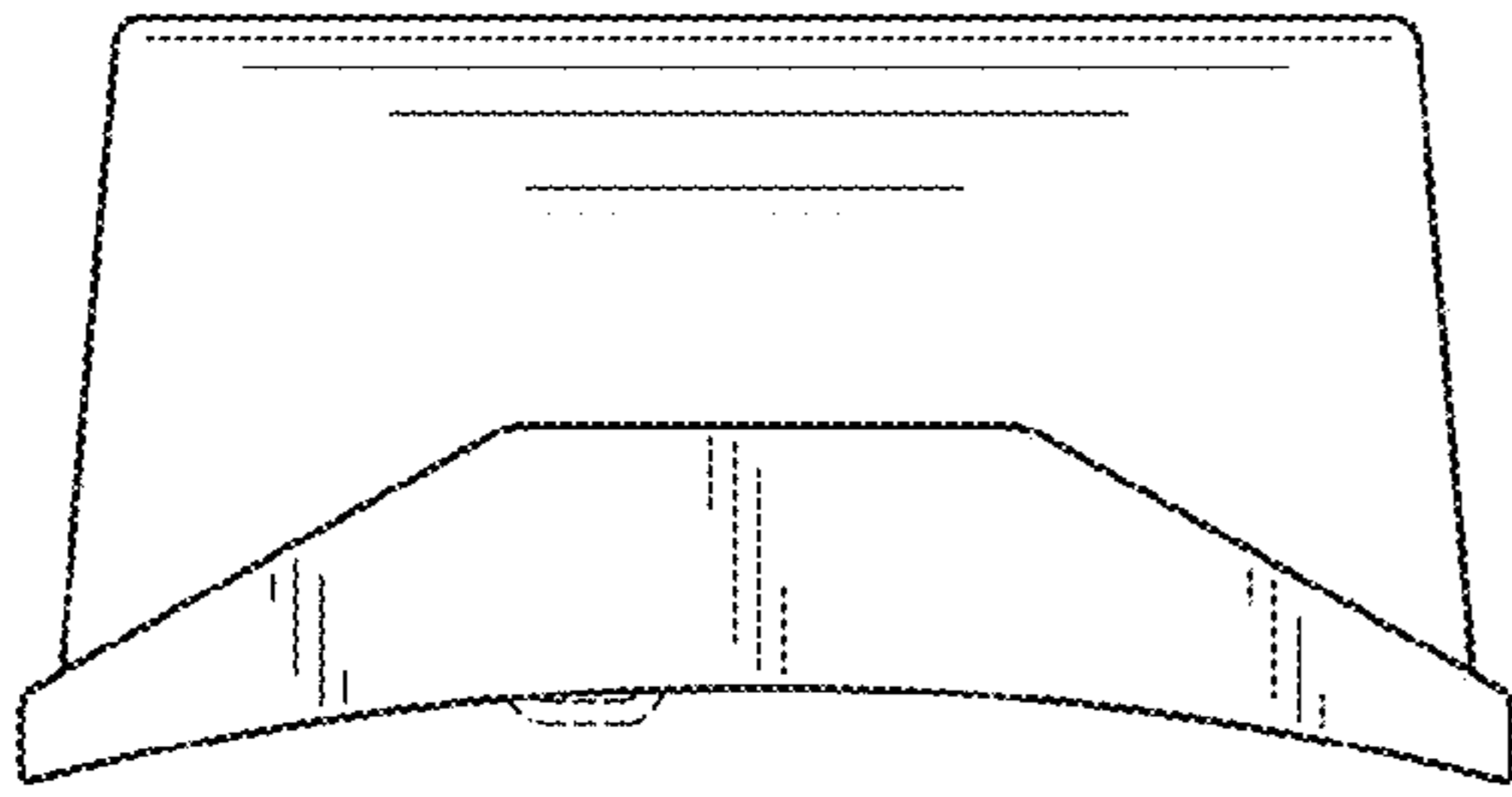


FIG. 4

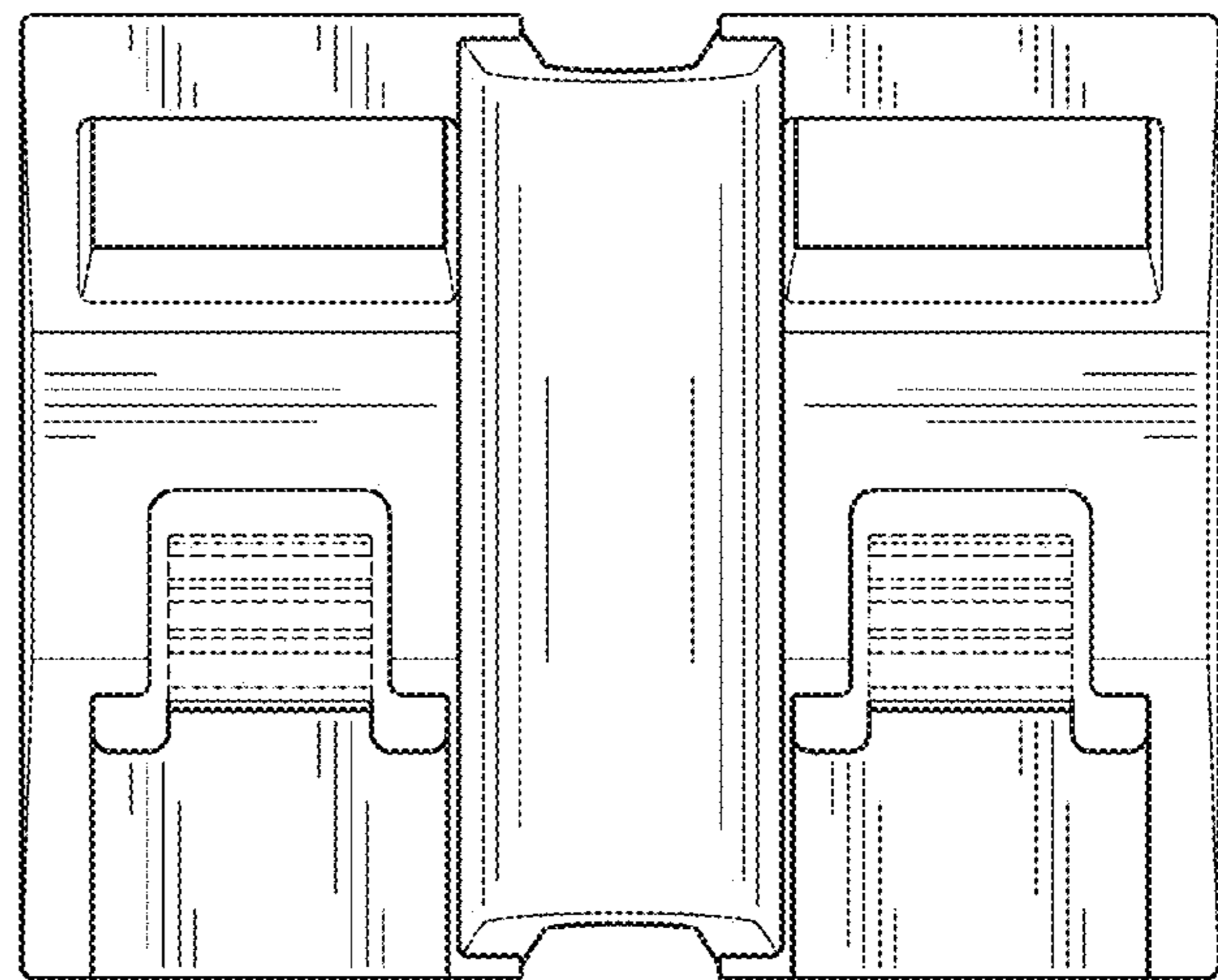


FIG. 5

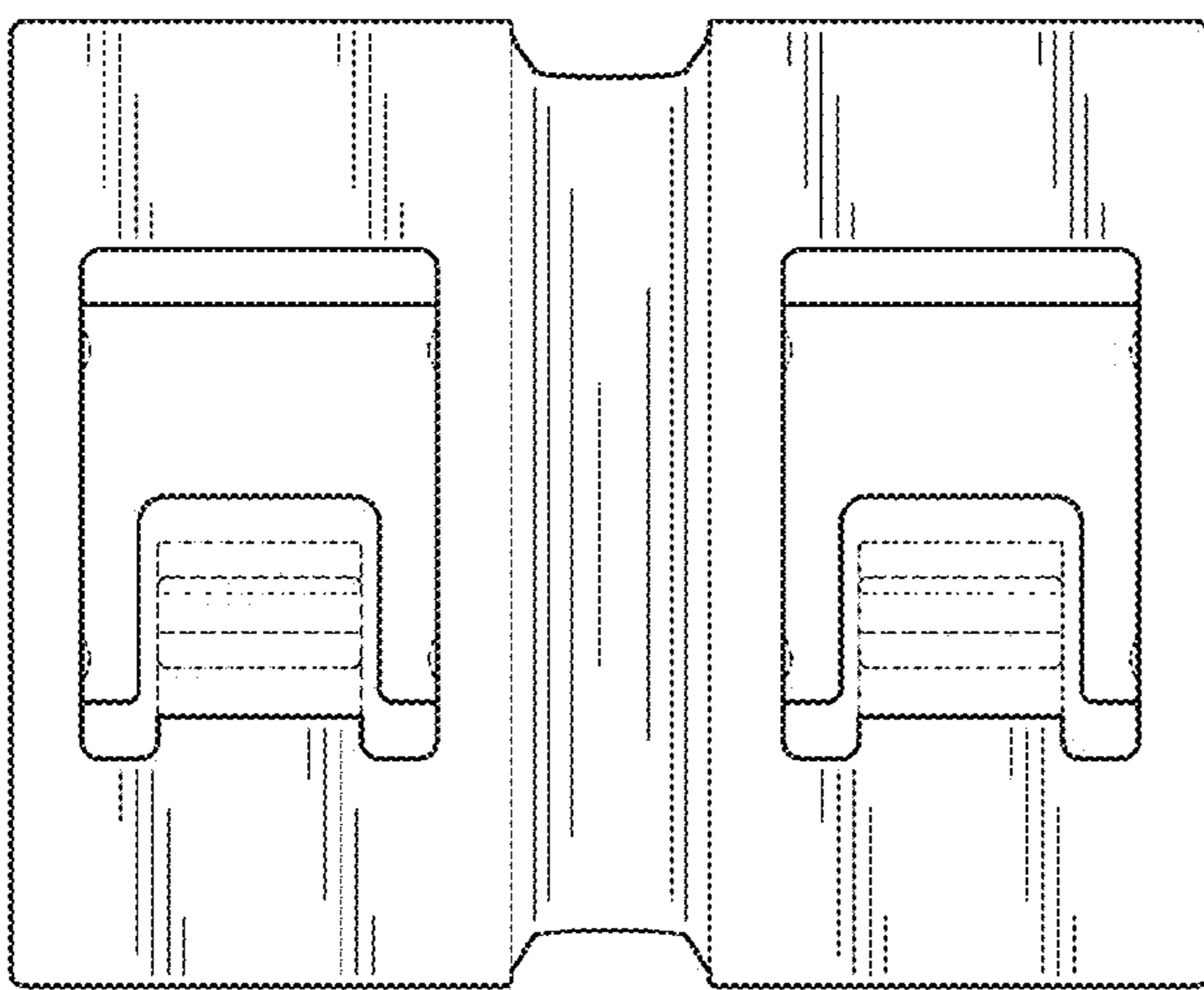


FIG. 6

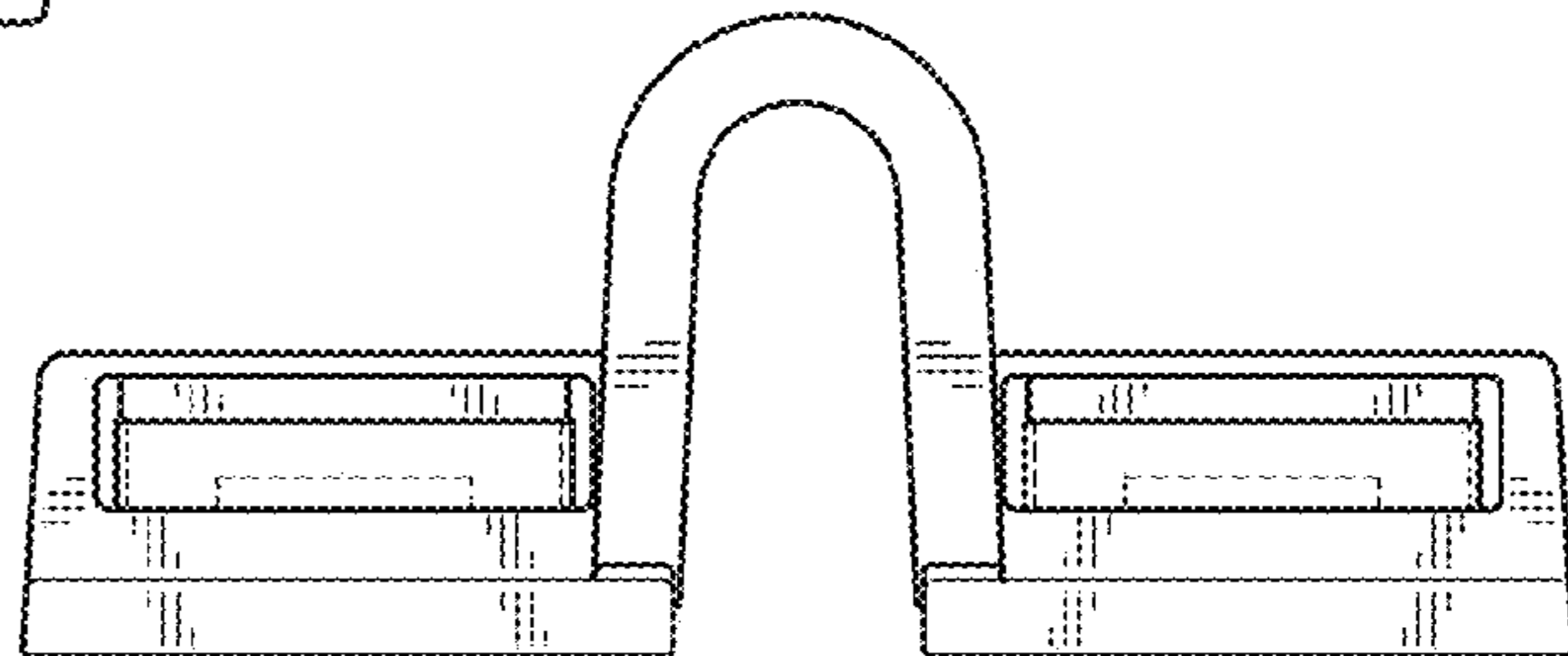


FIG. 7