



US00D902010S

(12) **United States Design Patent**
Du

(10) **Patent No.:** **US D902,010 S**

(45) **Date of Patent:** **** Nov. 17, 2020**

(54) **RELEASE KEY ID**
(71) Applicant: **SCHNEIDER ELECTRIC (AUSTRALIA) PTY LTD**, Macquarie Park (AU)
(72) Inventor: **Qilian Du**, Shenzhen (CN)
(73) Assignee: **SCHNEIDER ELECTRIC (AUSTRALIA) PTY LTD**, Macquarie Park (AU)

8,803,656 B2 * 8/2014 Tamezane G07C 9/00309
340/5.2
D720,202 S * 12/2014 Gokcebay D8/331
8,947,269 B2 * 2/2015 Jung H04M 1/23
341/20
8,953,331 B2 * 2/2015 Sugimoto G07C 9/00944
361/757
9,443,182 B2 * 9/2016 Wada G06K 19/0706
10,137,861 B2 * 11/2018 Park E05B 19/0082
10,276,070 B2 * 4/2019 Pascua A45C 11/182
10,515,500 B2 * 12/2019 Kim E05B 19/0082
10,628,637 B2 * 4/2020 Siedow G06K 7/10297

(**) Term: **15 Years**

* cited by examiner

(21) Appl. No.: **29/664,857**

Primary Examiner — Doris Clark

(22) Filed: **Sep. 28, 2018**

(74) *Attorney, Agent, or Firm* — Locke Lord LLP

(51) **LOC (12) Cl.** **08-07**

(57) **CLAIM**

(52) **U.S. Cl.**
USPC **D8/341**

The ornamental design for a release key ID, as shown and described.

(58) **Field of Classification Search**
USPC D8/331, 341, 342; D10/104.1, 106.1
CPC G07C 9/00309; G06K 19/04; G06K 19/06046; G06K 19/067; G06K 13/0812; G06K 13/08; G06K 19/00
See application file for complete search history.

DESCRIPTION

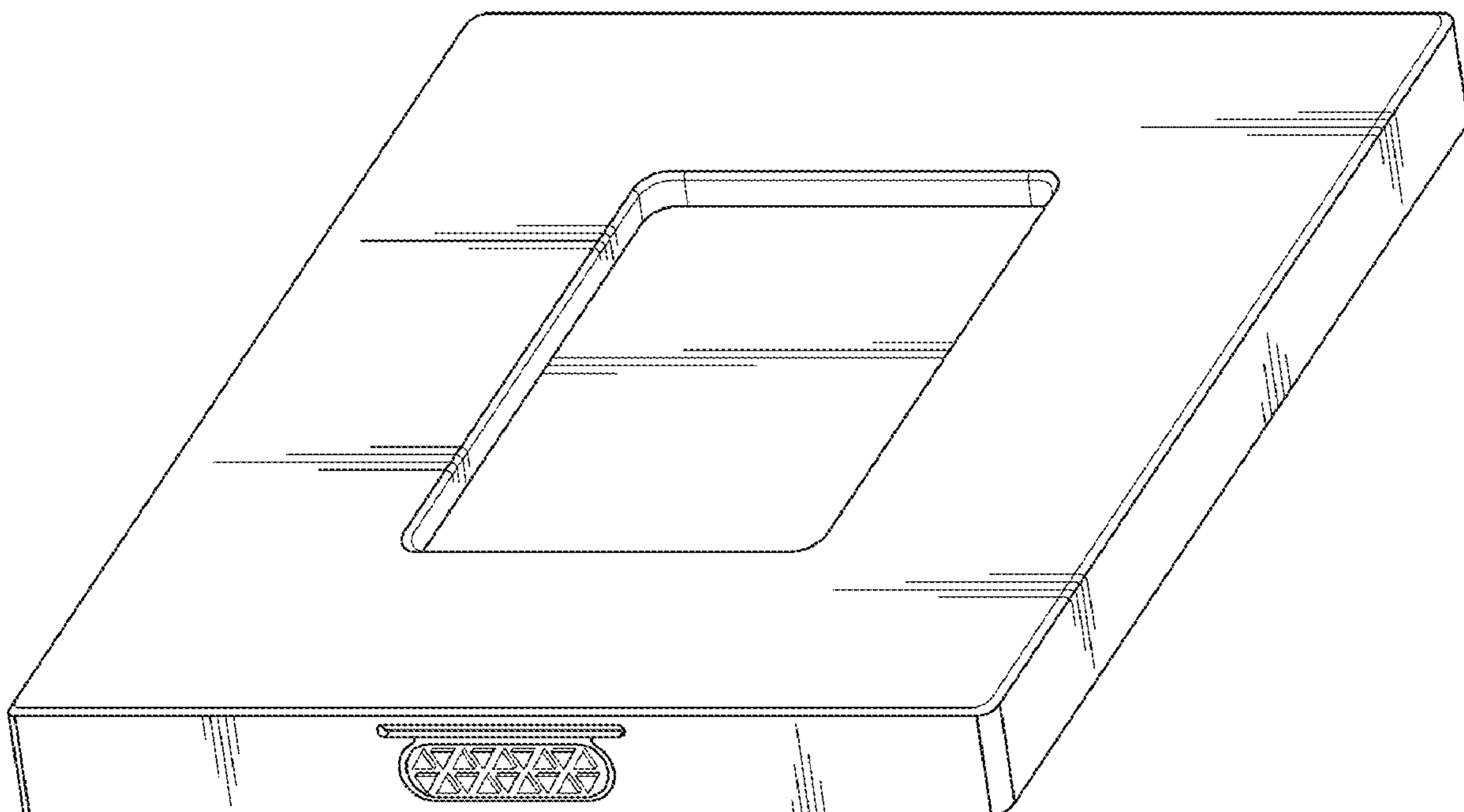
(56) **References Cited**

U.S. PATENT DOCUMENTS

6,824,066 B2 * 11/2004 Weyant G07C 9/20
235/493
D512,898 S * 12/2005 Metivier D10/106.1

FIG. 1 is a perspective view of a release key ID;
FIG. 2 is a front view of the release key ID in FIG. 1;
FIG. 3 is a rear view of the release key ID in FIG. 1;
FIG. 4 is a left side view of the release key ID in FIG. 1;
FIG. 5 is a right side view of the release key ID in FIG. 1;
and,
FIG. 6 is a bottom view of the release key ID in FIG. 1.
Any subject matter shown in broken lines is environmental and forms no part of the claimed design.

1 Claim, 6 Drawing Sheets



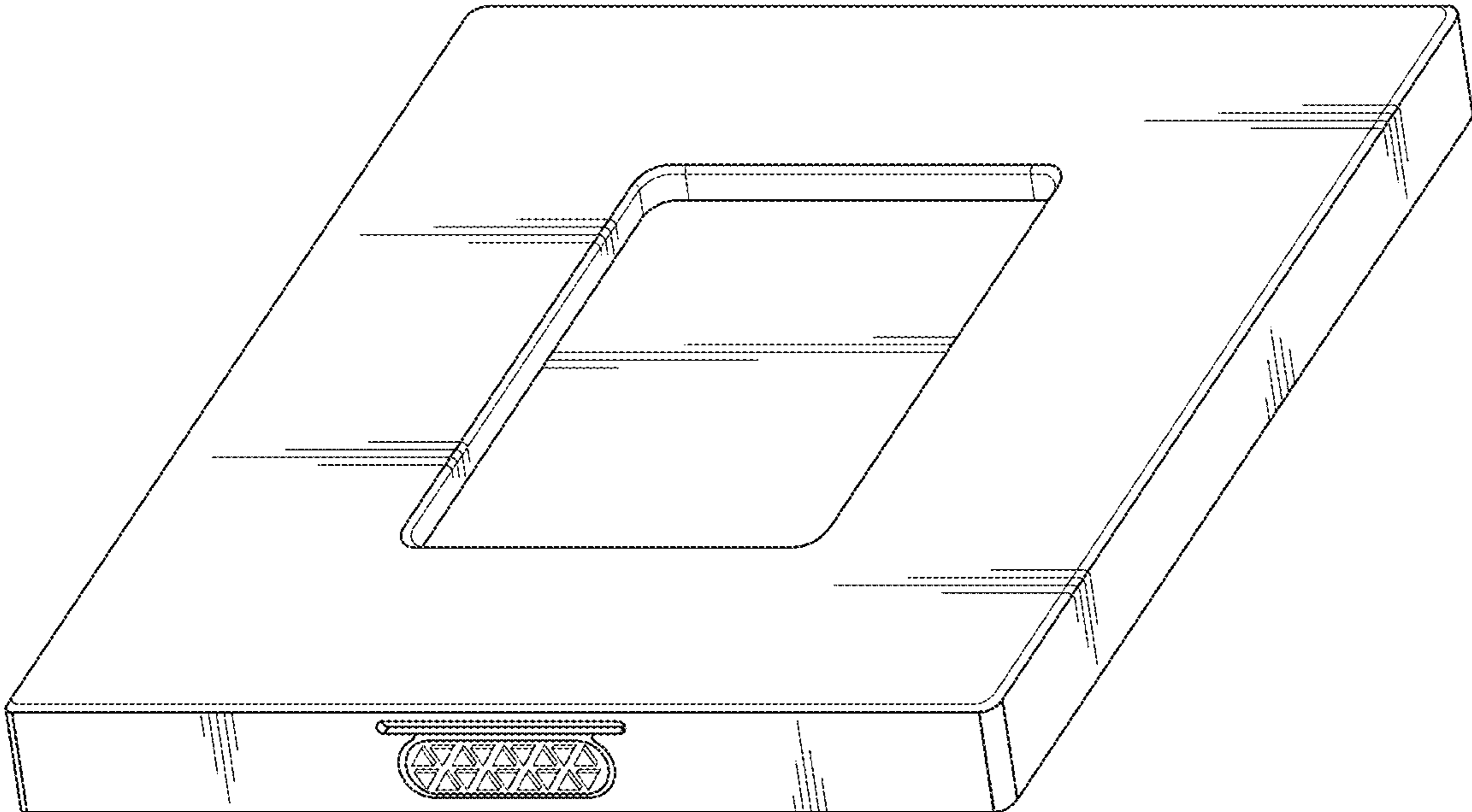


FIG. 1

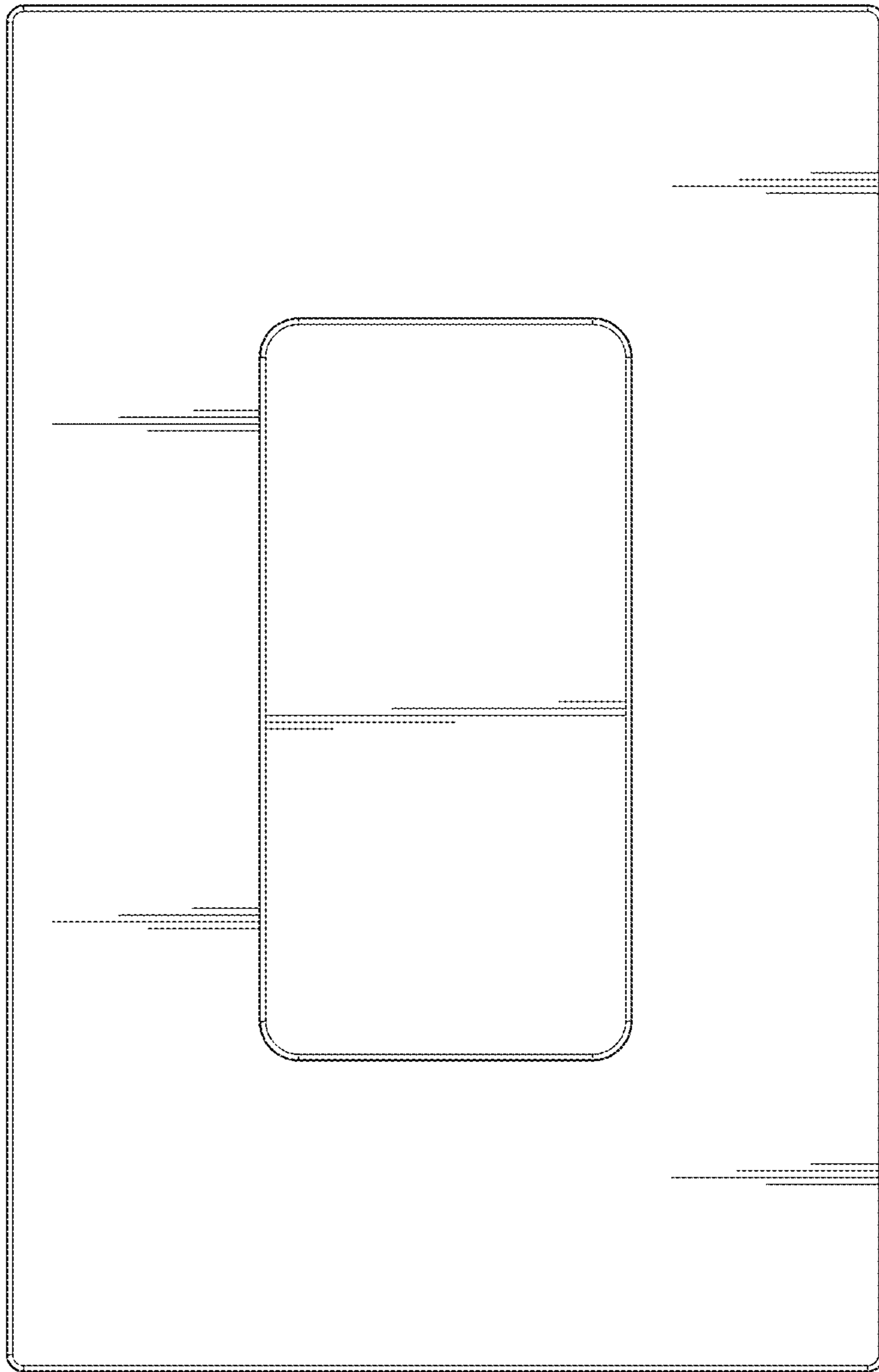


FIG. 2

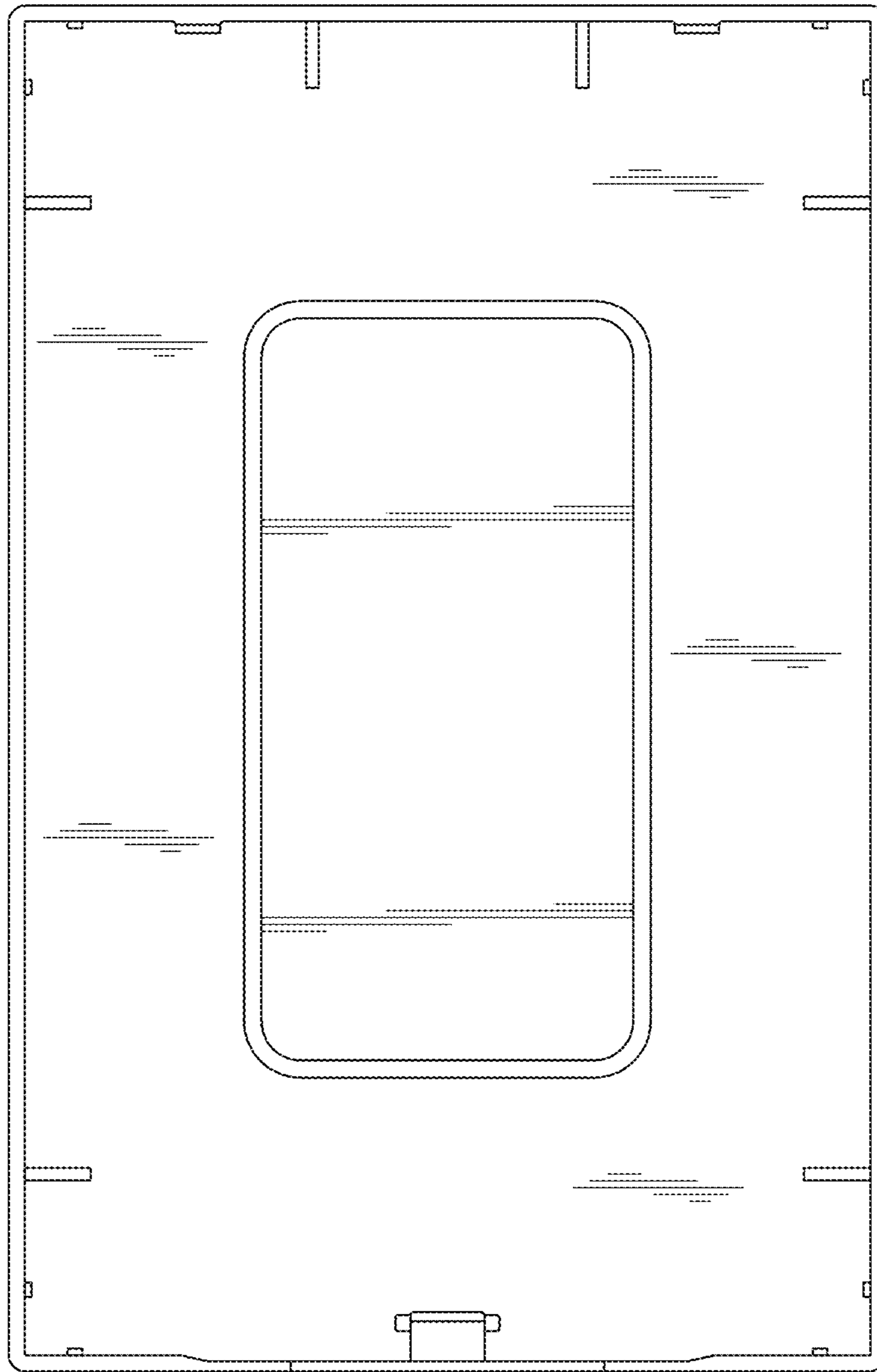


FIG. 3

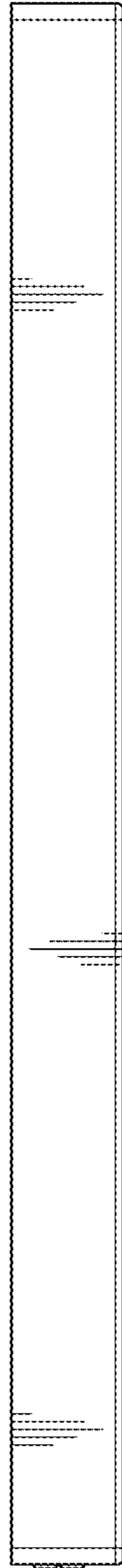


FIG. 4



FIG. 5

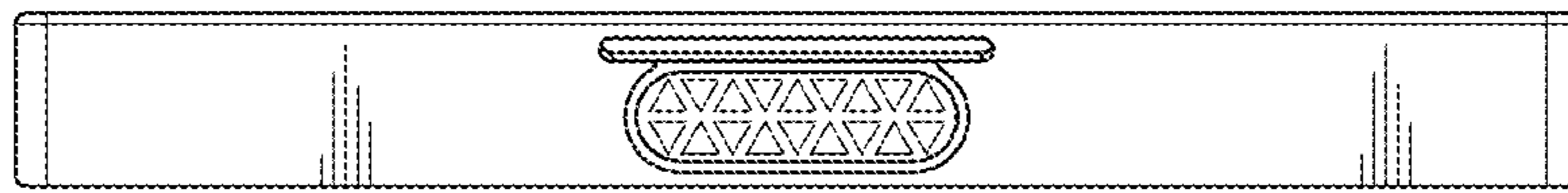


FIG. 6