



US00D902009S

(12) **United States Design Patent** (10) **Patent No.:** **US D902,009 S**
Yang (45) **Date of Patent:** **** Nov. 17, 2020**

(54) **COMBINATION LOCK CARABINER**

(71) Applicant: **Dongguan Guofeng Manufacture CO., LTD**, Dongguan (CN)

(72) Inventor: **Enfu Yang**, Dongguan (CN)

(**) Term: **15 Years**

(21) Appl. No.: **29/690,072**

(22) Filed: **May 5, 2019**

(51) **LOC (12) Cl.** **08-07**

(52) **U.S. Cl.**

USPC **D8/336**; D8/333; D8/356

(58) **Field of Classification Search**

USPC D8/330-349, 382, 383, 394-396;
70/14-28, 57, 57.1, 58, 141-143, 114,
70/158, 224, 226, 431, 465; 24/299,
24/307 R, 599.5, 599.9, 599.1
CPC .. E05B 73/0005; E05B 71/00; E05B 15/1614;
E05B 67/003; E05B 37/0031; E05B
37/02; E05B 37/08; E05B 69/00; E05B
67/06; E05B 73/00; E05B 69/003; E05B
73/005; E05B 37/0068; E05B 37/025;
E05B 37/063; E05B 37/22; E05B 37/024;
E05B 37/028; E05B 67/32; E05B 67/36;
E05B 67/365; E05B 67/38; E05B 67/383;
E05B 37/004; E05B 17/142; A01K
27/003; Y10S 24/35; F16B 45/02; B62H
5/001

See application file for complete search history.

(56) **References Cited**

U.S. PATENT DOCUMENTS

D413,252 S * 8/1999 Stribel D8/367
D433,310 S * 11/2000 Luquire D8/333
D433,311 S * 11/2000 Luquire D8/333
D483,647 S * 12/2003 Lo D8/333
D604,594 S * 11/2009 Lin D8/367
D649,018 S * 11/2011 Kope D8/367
D740,645 S * 10/2015 Koreishi D8/367

D790,327 S * 6/2017 Renforth D8/356
D848,823 S * 5/2019 Graykowski D8/356
D869,938 S * 12/2019 Warren D8/356
D882,378 S * 4/2020 Graykowski D8/356

(Continued)

FOREIGN PATENT DOCUMENTS

CN 2017-18344Q * 3/2017 E05B 37/02
CN 304944405 * 7/2018
CN 305857764 * 11/2019

(Continued)

OTHER PUBLICATIONS

Dongguan Guofeng Manufactur, Security Digit Password Combi-
nation Swivel Eye Bolt Lock Snap Carabiner Hook, [online]retrieved
Sep. 1, 2020, available from internet <https://dggguofeng.en.alibaba.com/> (Year: 2020).*

(Continued)

Primary Examiner — Keli L Hill
Assistant Examiner — Sara S Sahnneh

(57) **CLAIM**

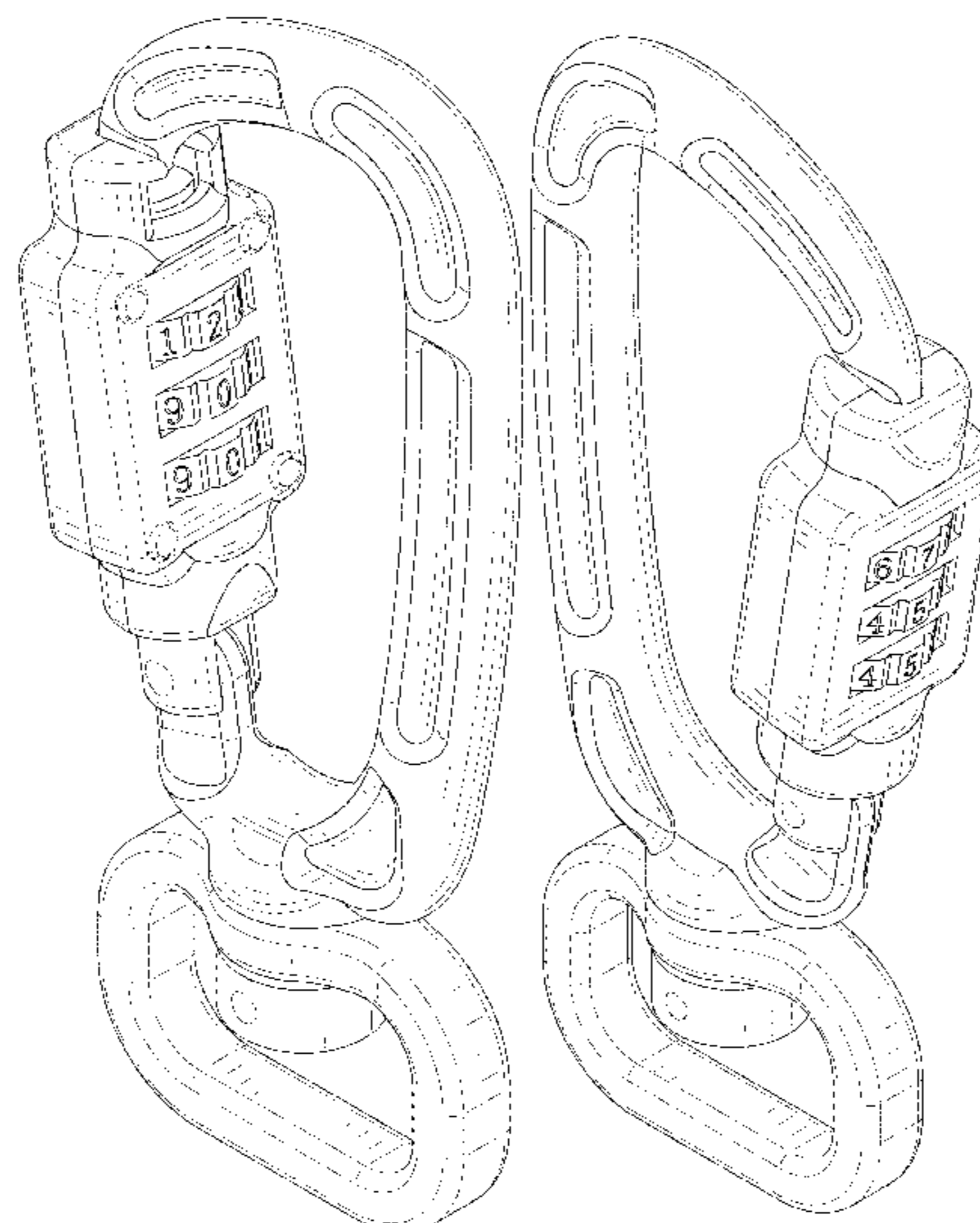
The ornamental design for a combination lock carabiner, as shown and described.

DESCRIPTION

FIG. 1 is a first perspective view of a combination lock carabiner showing my design;
FIG. 2 is a second perspective view thereof;
FIG. 3 is a front view thereof;
FIG. 4 is a back view thereof;
FIG. 5 is a left side view thereof;
FIG. 6 is a right side view thereof;
FIG. 7 is a top view thereof; and,
FIG. 8 is a bottom view thereof.

The broken lines shown in the drawings depict portions of the combination lock carabiner in which the design is embodied that form no part of the claimed design.

1 Claim, 8 Drawing Sheets



(56)

References Cited

U.S. PATENT DOCUMENTS

D894,718 S * 9/2020 Kramer D8/356
2015/0000613 A1* 1/2015 Cooke E05B 37/025
119/795

FOREIGN PATENT DOCUMENTS

JP D1522066 * 3/2015
JP D1586056 * 1/2017

OTHER PUBLICATIONS

Keeper, 46801 Lockstrap Locking Combination Carabiner, Date first available May 14, 2012, [online]retrieved Sep. 2, 2020, available from internet, www.amazon.com (Year: 2012).*

VGEBY1, Carabiner Lock, 3 Colors Travel Bag Luggage Security Combination Lock,[online]retrieved Sep. 2, 2020, available from internet, www.amazon.com (Year: 2020).*

* cited by examiner

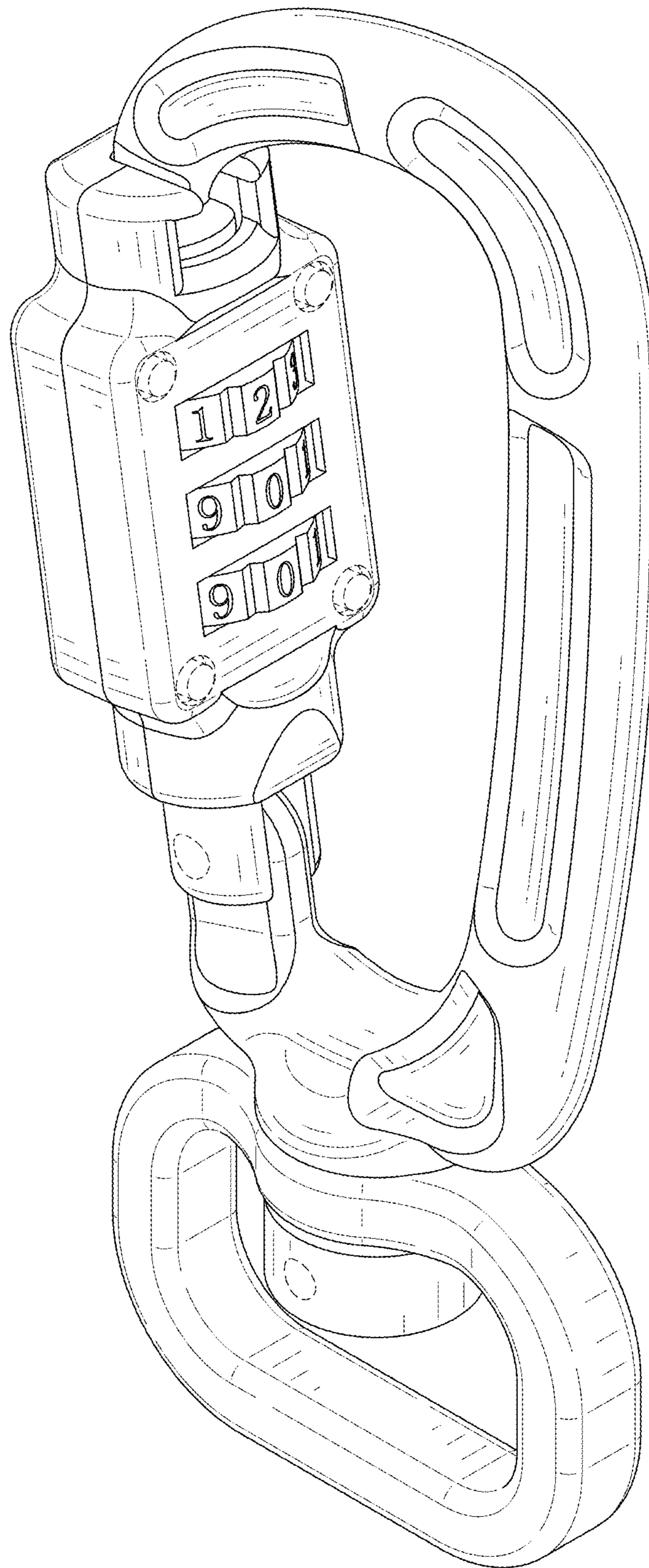


FIG. 1

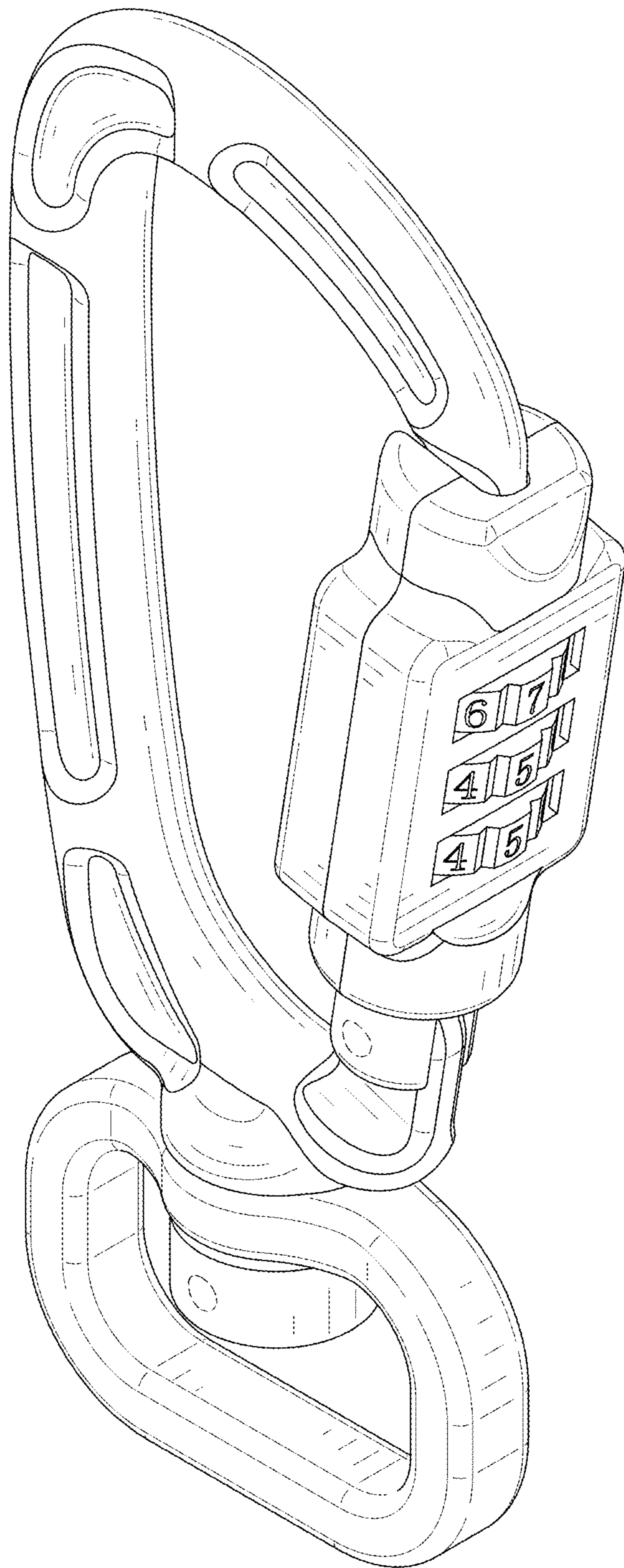


FIG. 2

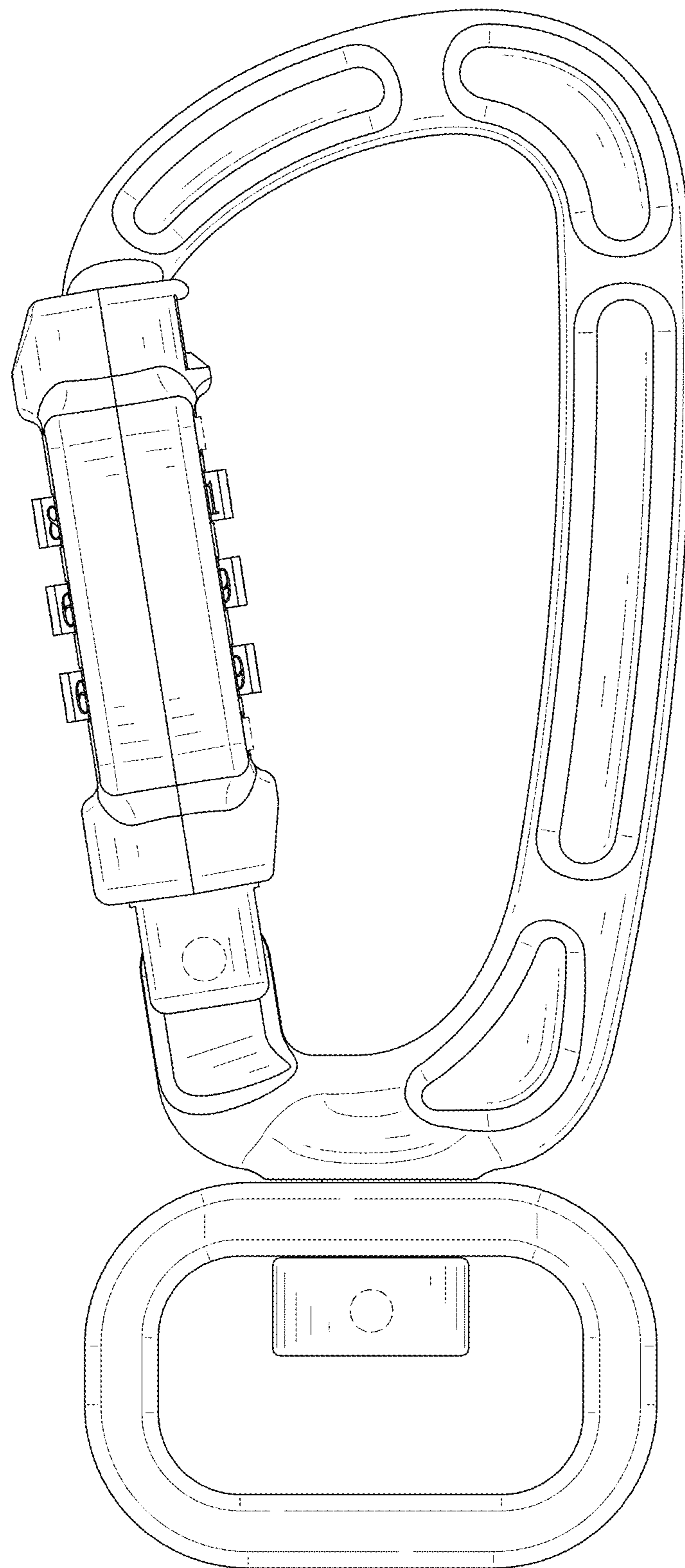


FIG. 3

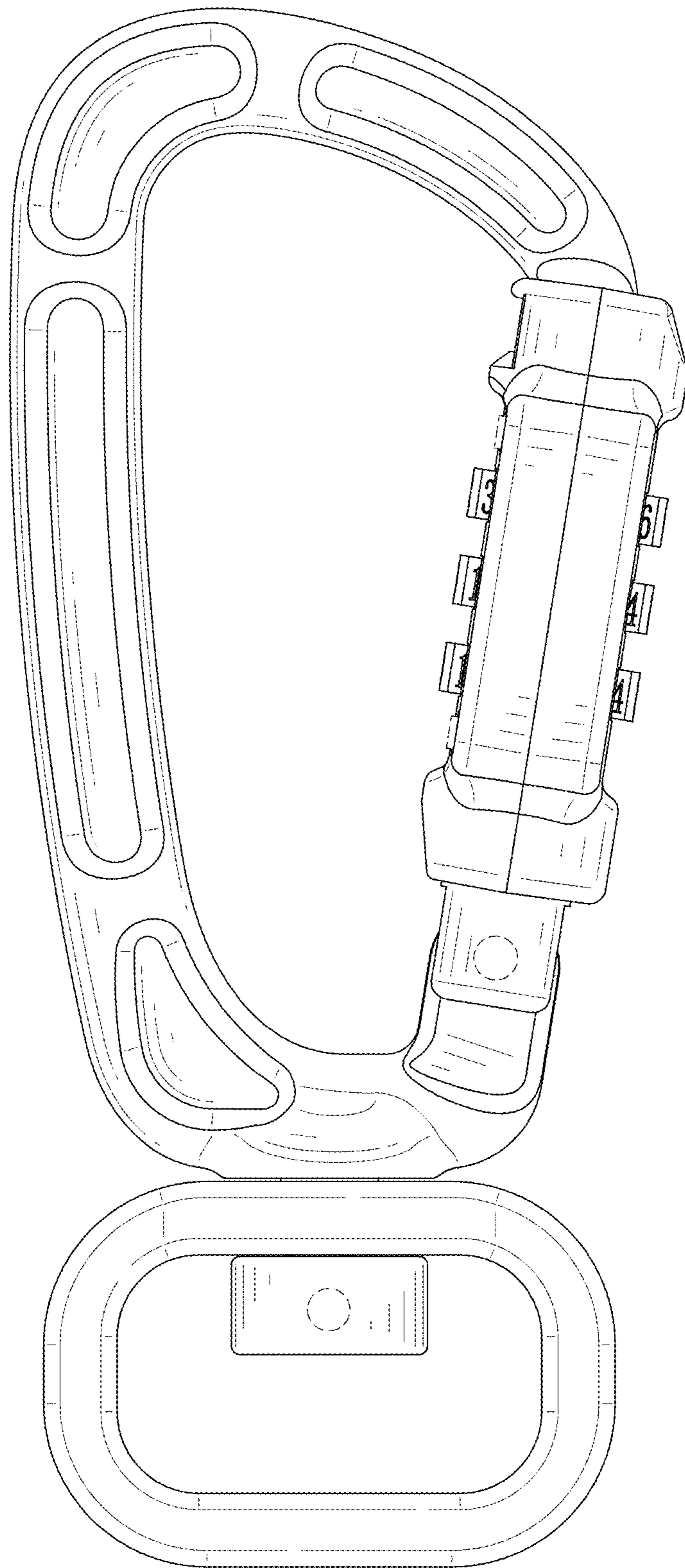


FIG. 4

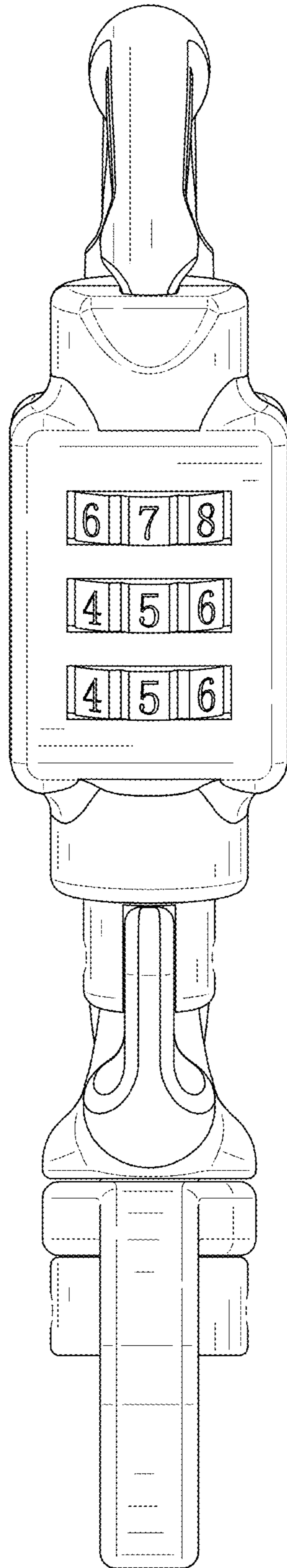


FIG. 5

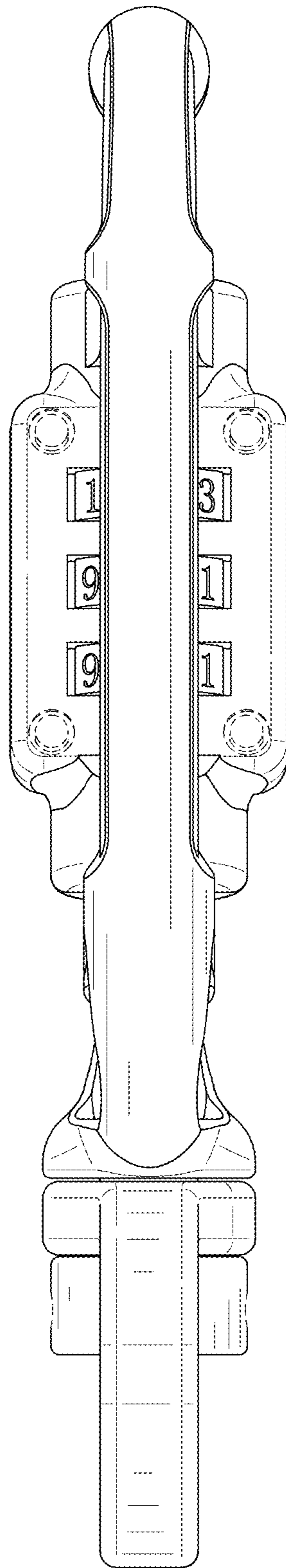


FIG. 6

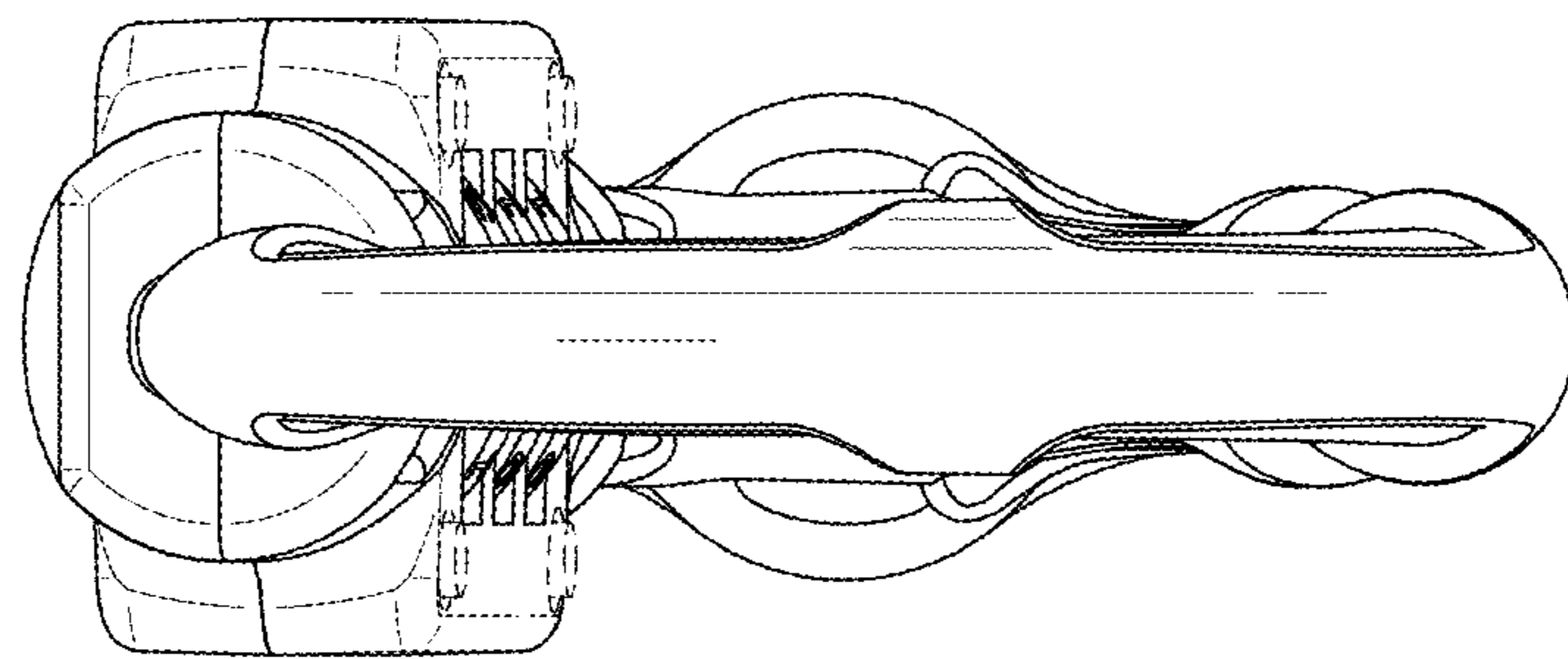


FIG. 7

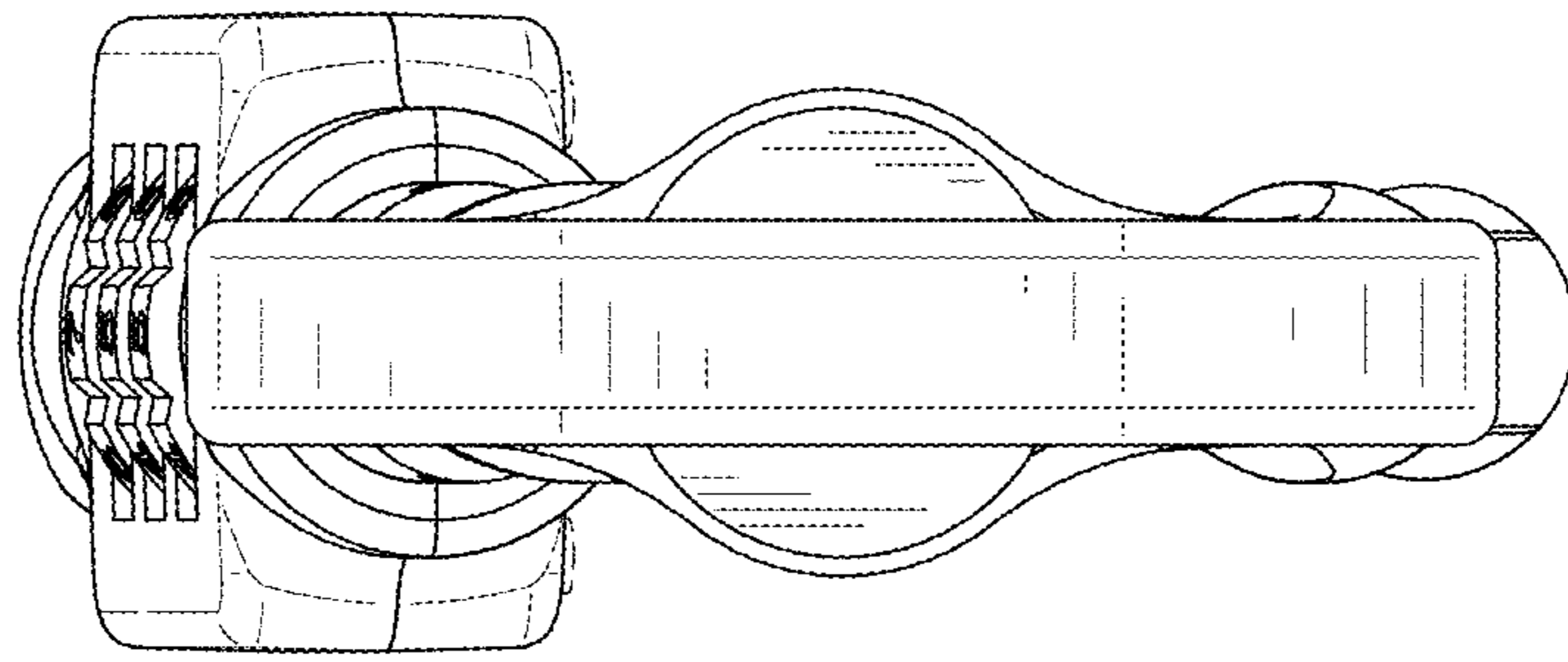


FIG. 8