



US00D902008S

(12) **United States Design Patent** (10) **Patent No.:** **US D902,008 S**
Fan (45) **Date of Patent:** **** Nov. 17, 2020**

(54) **PADLOCK**

10,422,163 B1 * 9/2019 Cabral Herrera .. G07C 9/00563
10,508,474 B2 * 12/2019 Wyatt H02J 7/35

(71) Applicant: **ABUS August Bremicker Söhne KG,**
Wetter-Volmarstein (DE)

* cited by examiner

(72) Inventor: **Wai Kuen Fan,** Kowloon (HK)

Primary Examiner — Doris Clark

(73) Assignee: **ABUS August Bremicker Söhne KG,**
Wetter-Volmarstein (DE)

(74) *Attorney, Agent, or Firm* — Dinsmore & Shohl LLP;
Cesare Scalfani

(**) Term: **15 Years**

(57) **CLAIM**

The ornamental design for a padlock, as shown and described.

(21) Appl. No.: **29/664,716**

DESCRIPTION

(22) Filed: **Sep. 27, 2018**

FIG. 1 is a top perspective view of an embodiment of the padlock;

(51) **LOC (12) Cl.** **08-07**

FIG. 2 is a bottom perspective view of the padlock of FIG. 1;

(52) **U.S. Cl.**

USPC **D8/334**

FIG. 3 is a front view of the padlock of FIG. 1;

(58) **Field of Classification Search**

USPC D8/334

CPC E05B 13/103; E05B 17/145; E05B 37/00;

E05B 67/00; E05B 67/06; E05B 67/22

See application file for complete search history.

FIG. 4 is a rear view of the padlock of FIG. 1;

FIG. 5 is a right side view of the padlock of FIG. 1;

FIG. 6 is a left side view of the padlock of FIG. 1;

FIG. 7 is a top view of the padlock of FIG. 1;

FIG. 8 is a bottom view of the padlock of FIG. 1;

FIG. 9 is a top perspective view of a further embodiment of the padlock;

FIG. 10 is a bottom perspective view of the padlock of FIG. 9;

FIG. 11 is a front view of the padlock of FIG. 9;

FIG. 12 is a rear view of the padlock of FIG. 9;

FIG. 13 is a right side view of the padlock of FIG. 9;

FIG. 14 is a left side view of the padlock of FIG. 9;

FIG. 15 is a top view of the padlock of FIG. 9; and,

FIG. 16 is a bottom view of the padlock of FIG. 9.

The shading lines shown in the drawings represent an approximate three-dimensional contour of the design that form no part of the claimed design.

(56) **References Cited**

U.S. PATENT DOCUMENTS

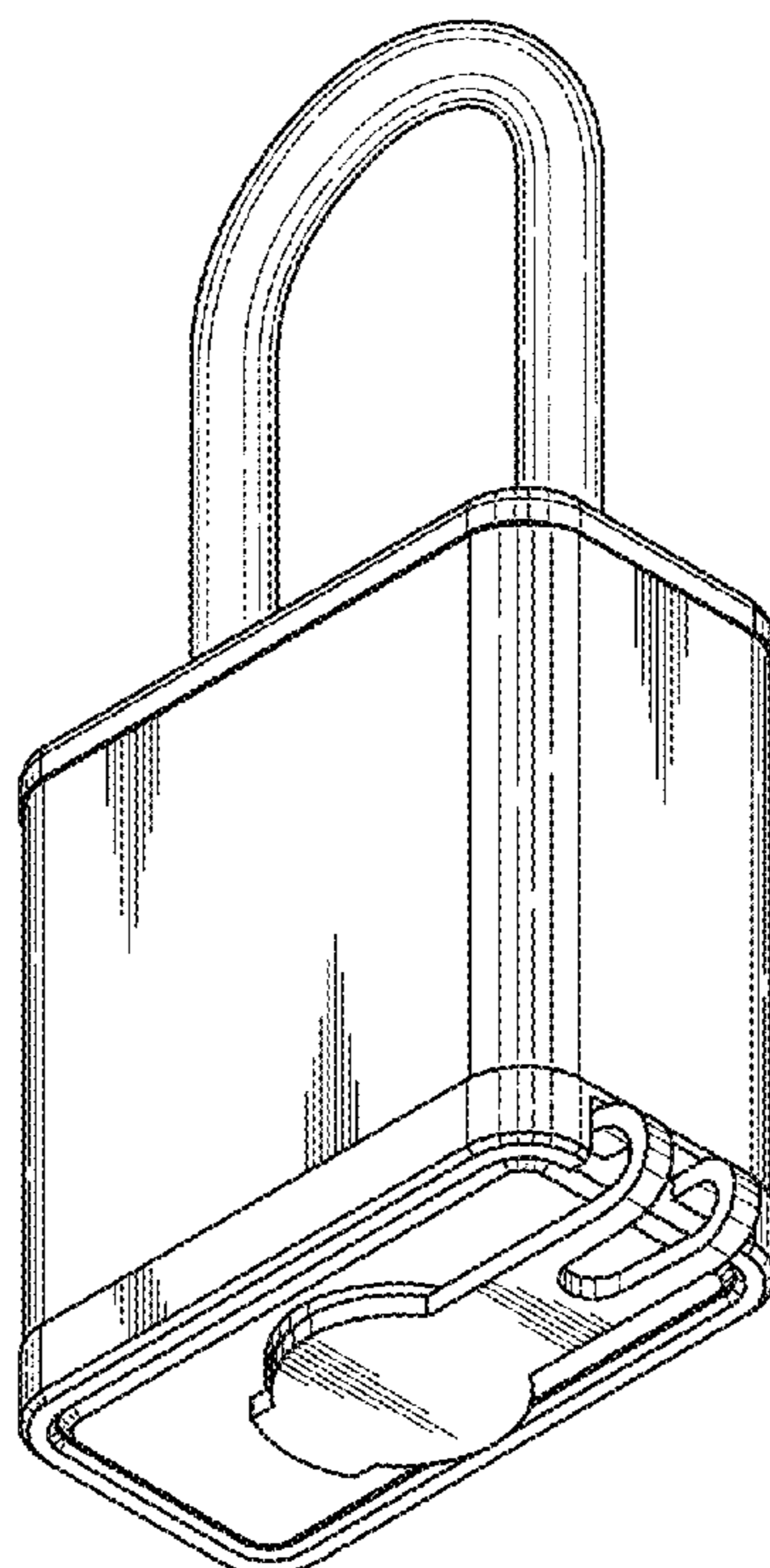
7,555,925 B1 * 7/2009 Wu E05B 67/24
70/31

D732,371 S * 6/2015 Schneider D8/334

9,689,179 B2 * 6/2017 Fan E05B 67/24

10,030,417 B1 * 7/2018 Ho G07C 9/00174

1 Claim, 16 Drawing Sheets



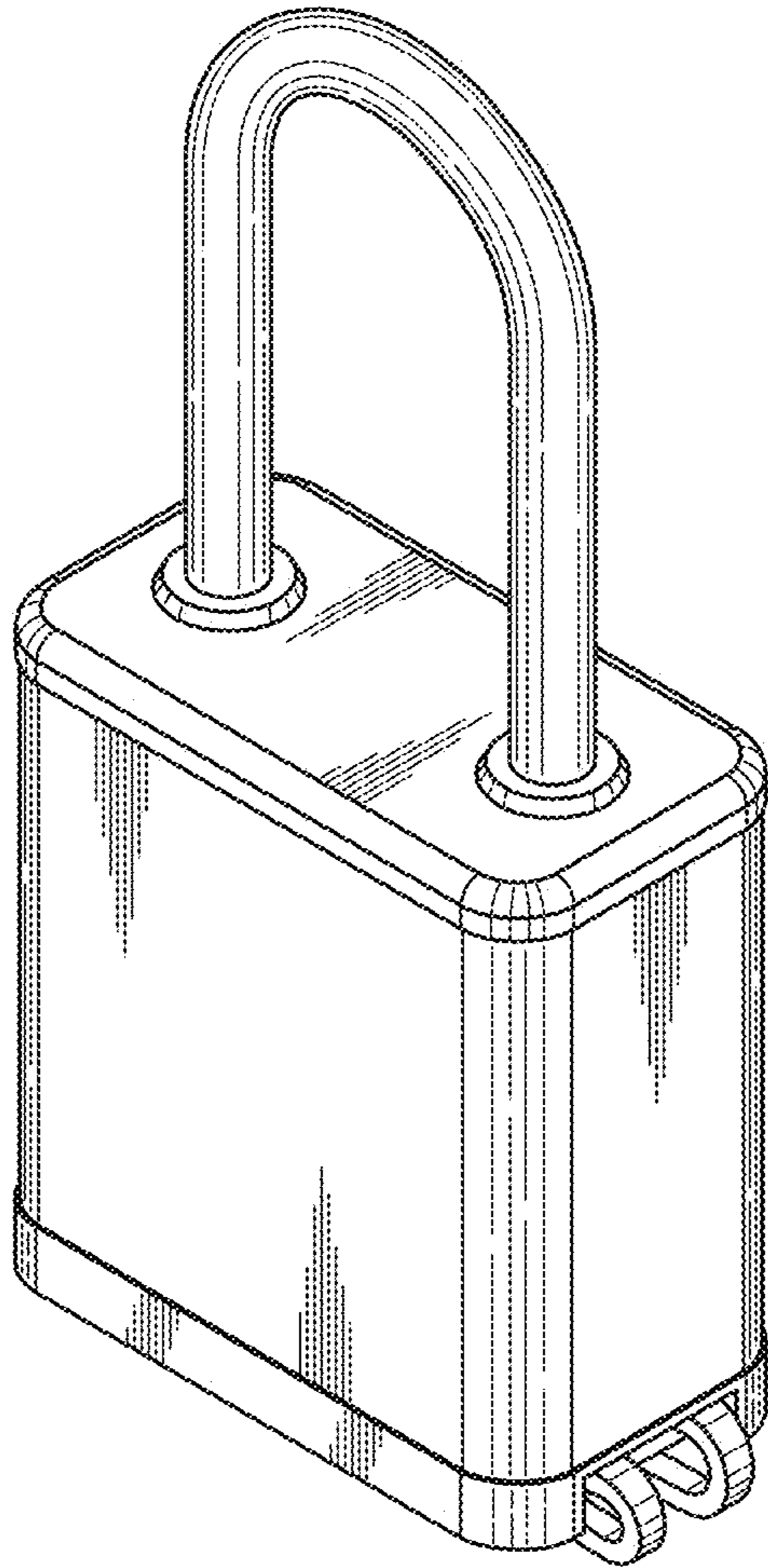


FIG. 1

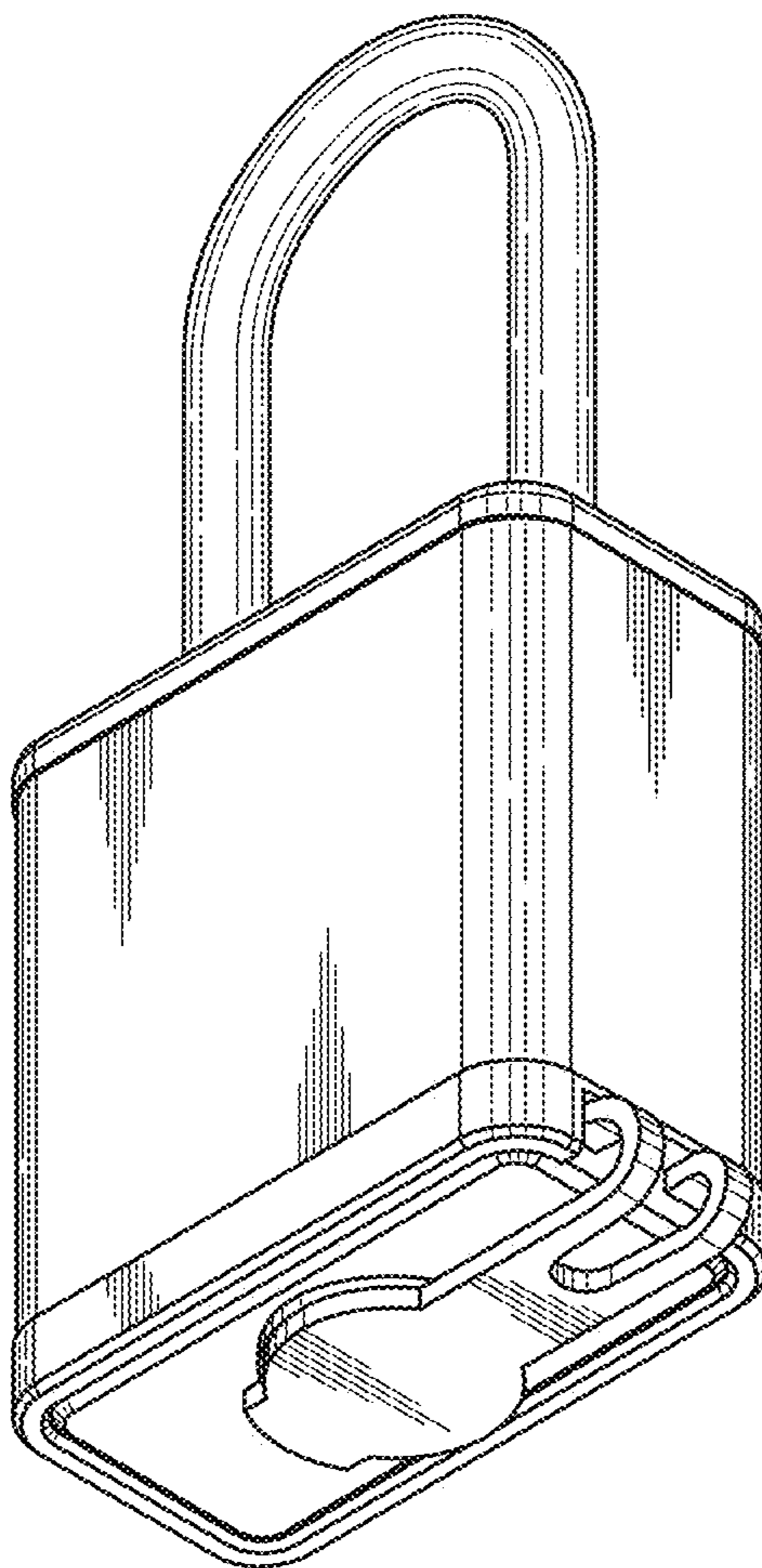


FIG. 2

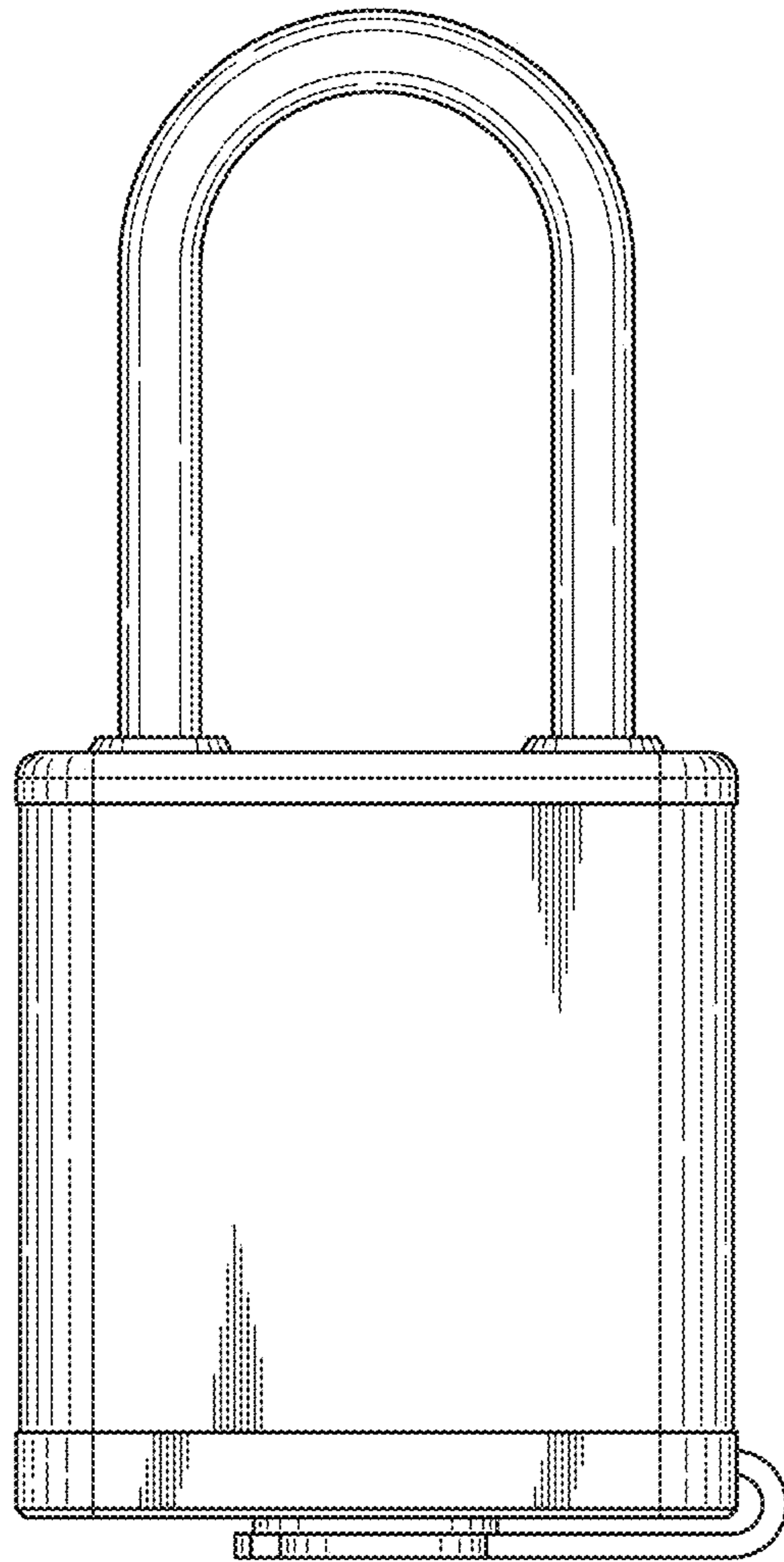


FIG. 3

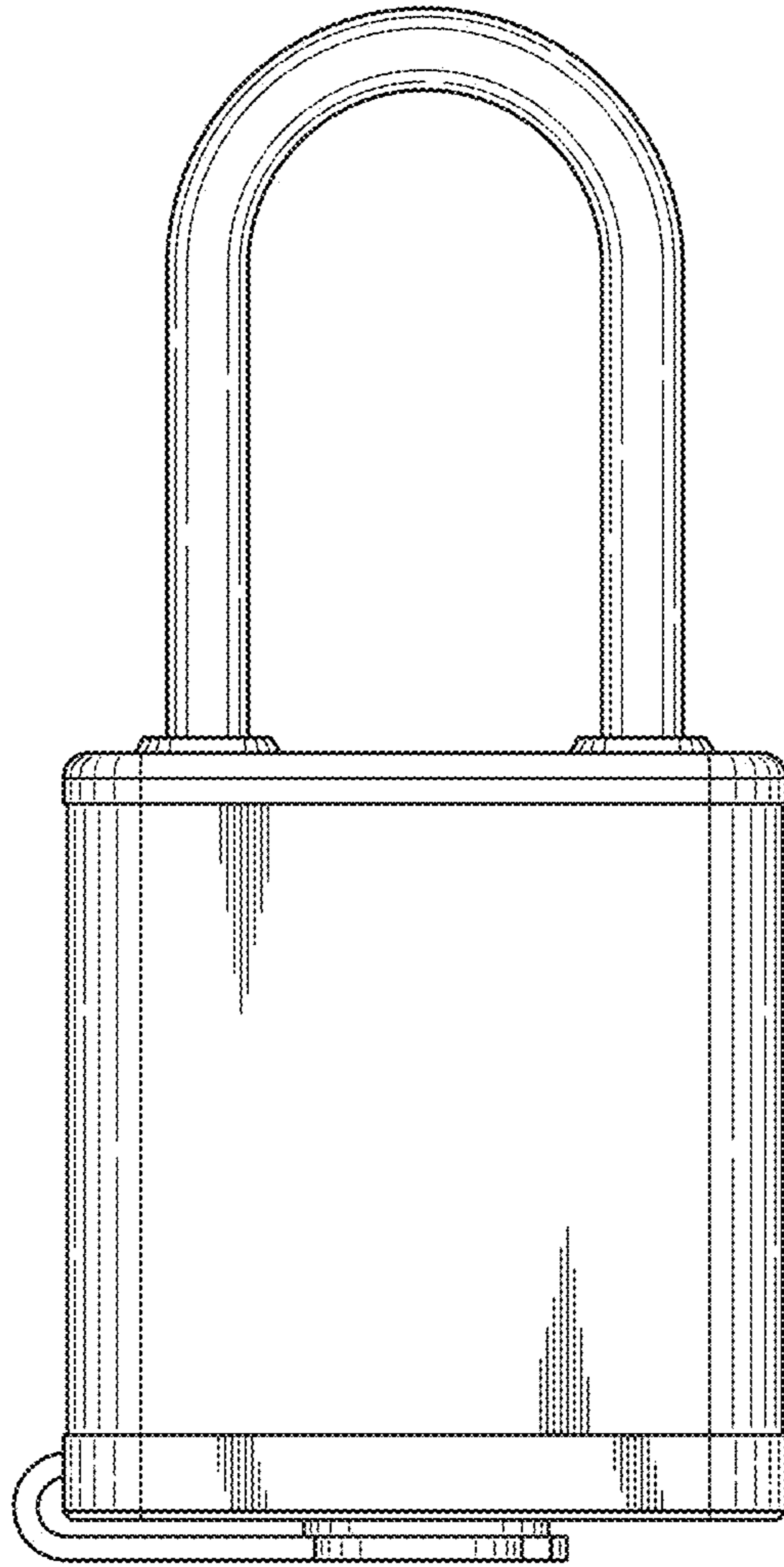


FIG. 4

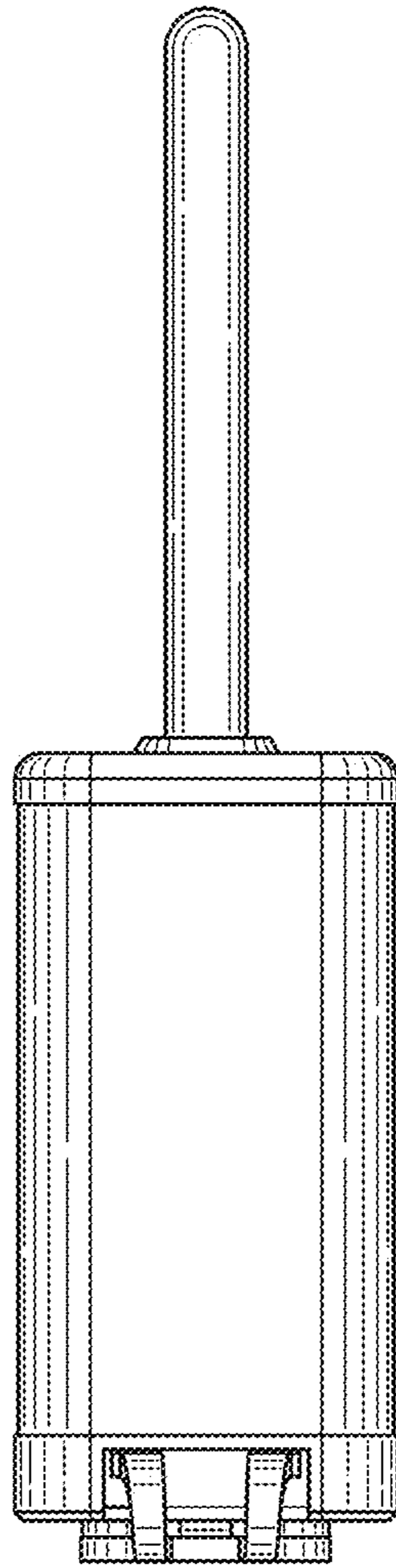


FIG. 5

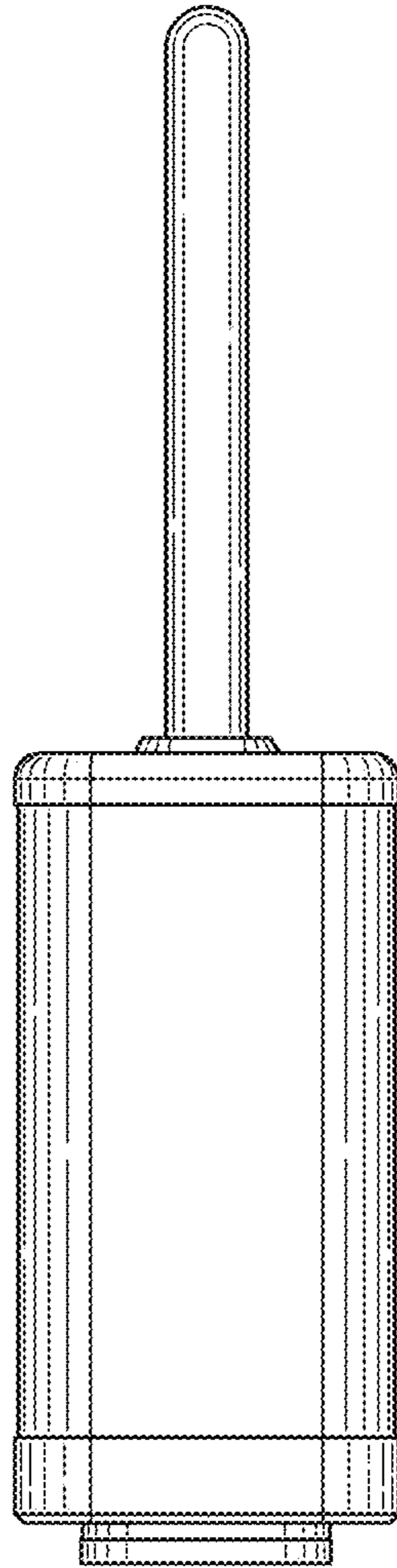


FIG. 6

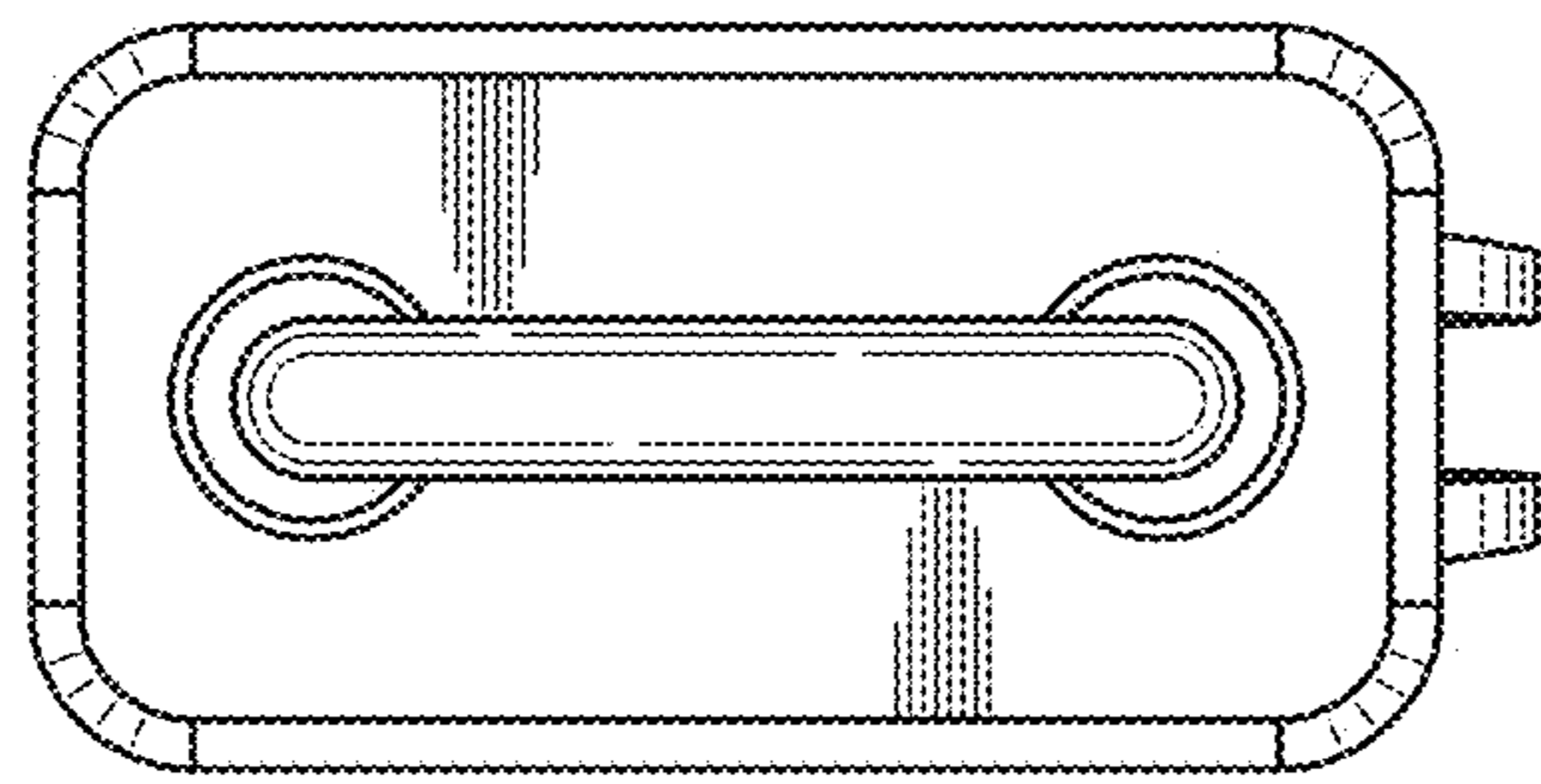


FIG. 7

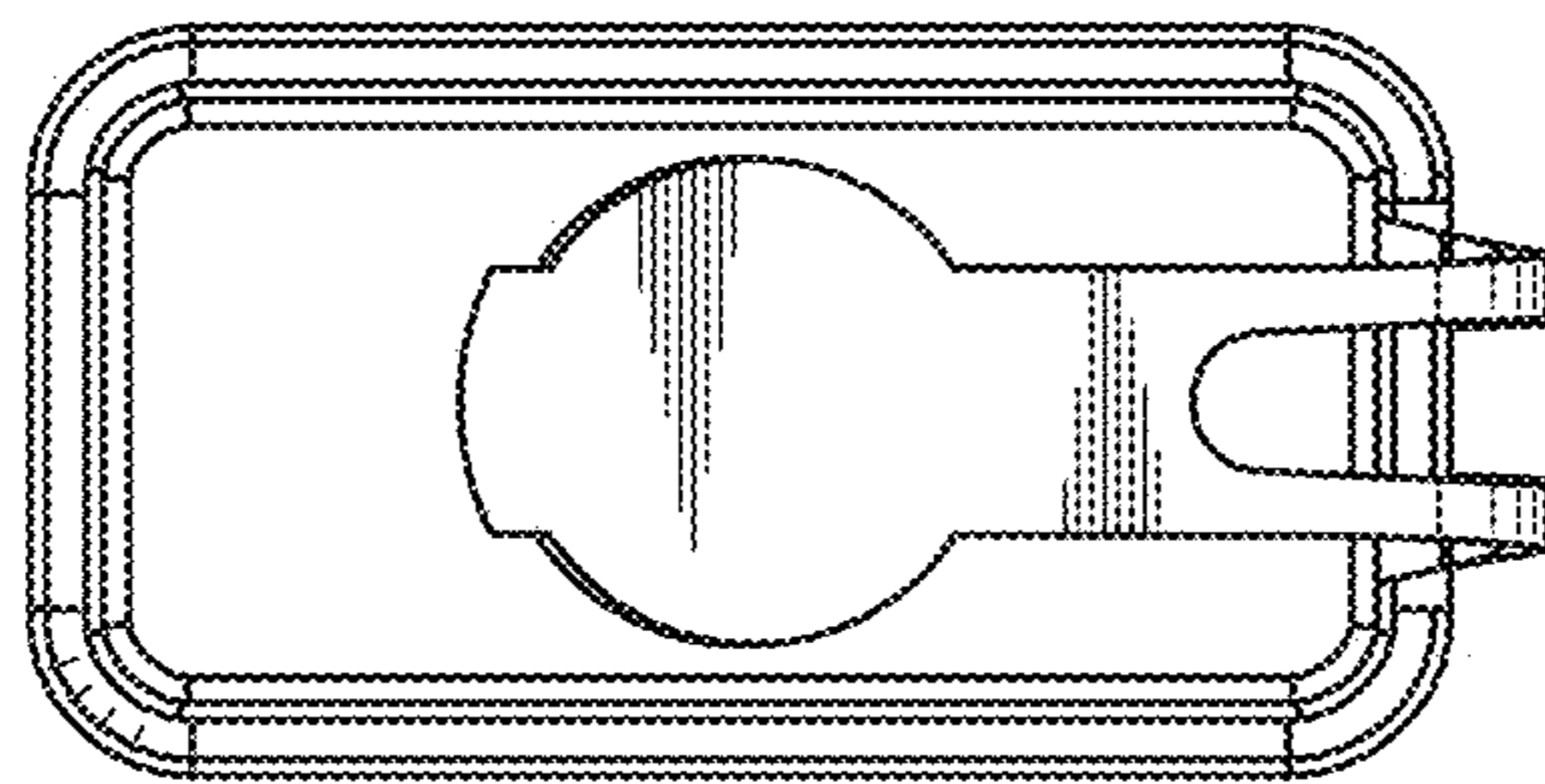


FIG. 8

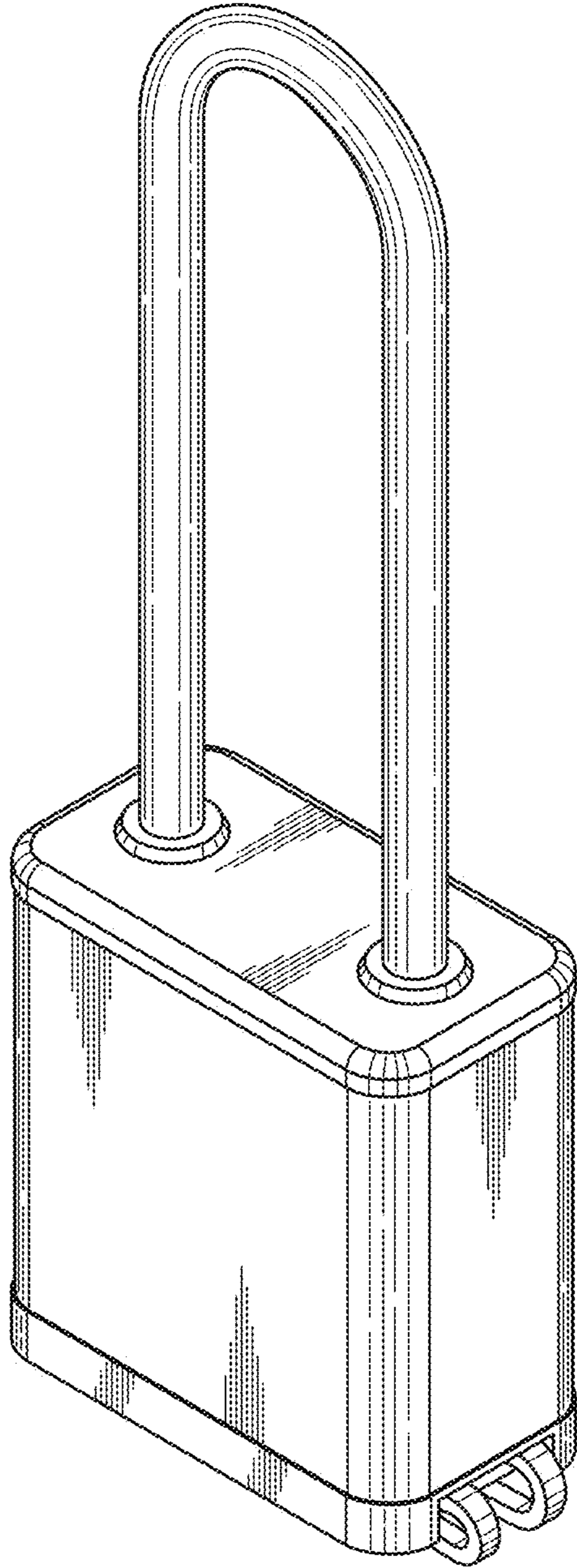


FIG. 9

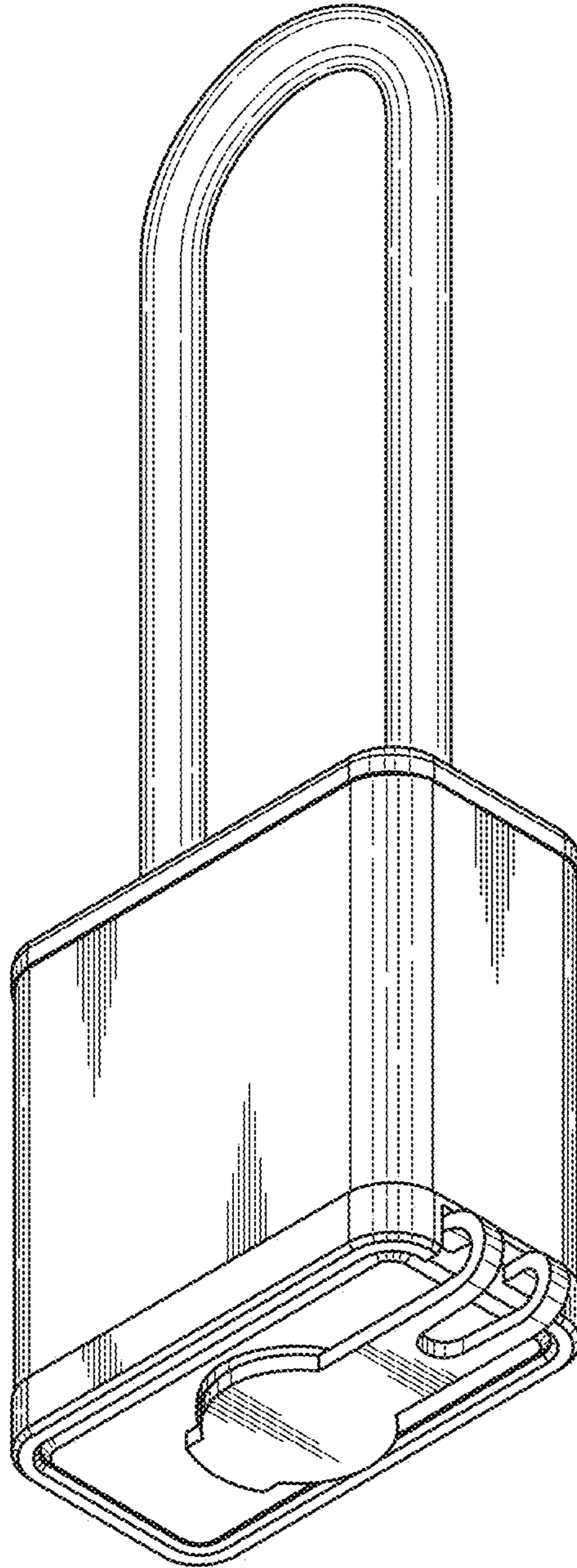


FIG. 10

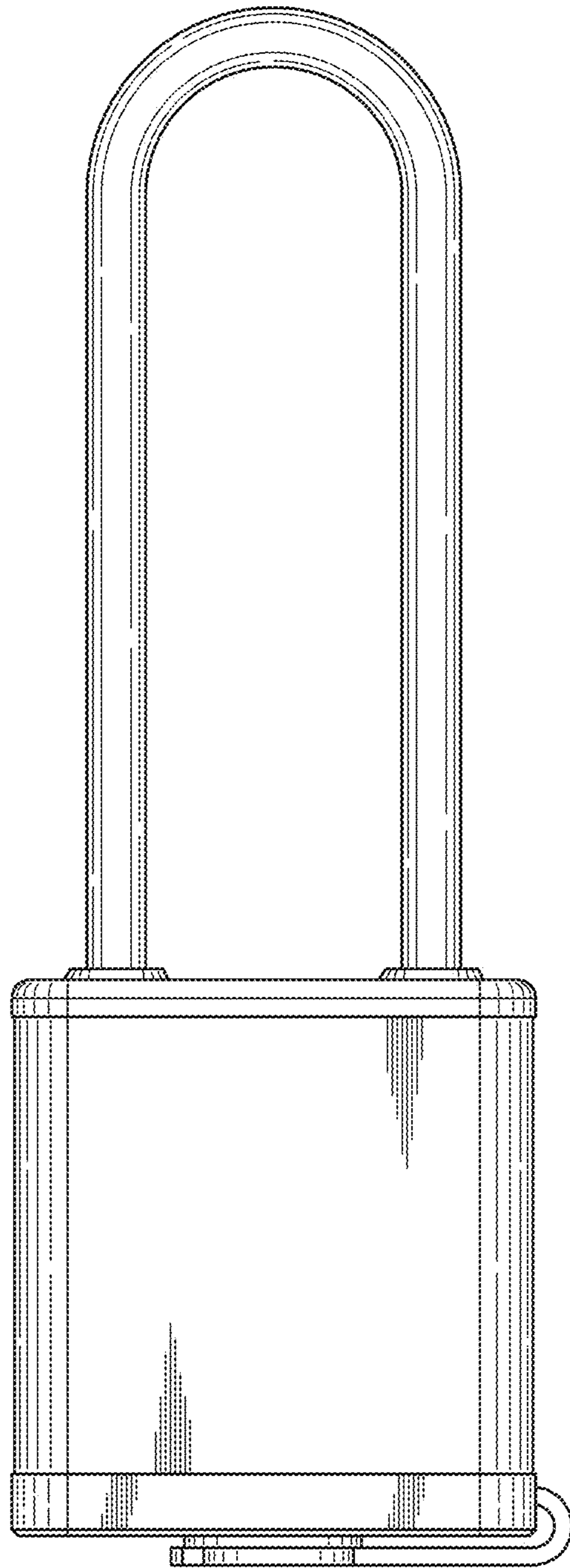


FIG. 11

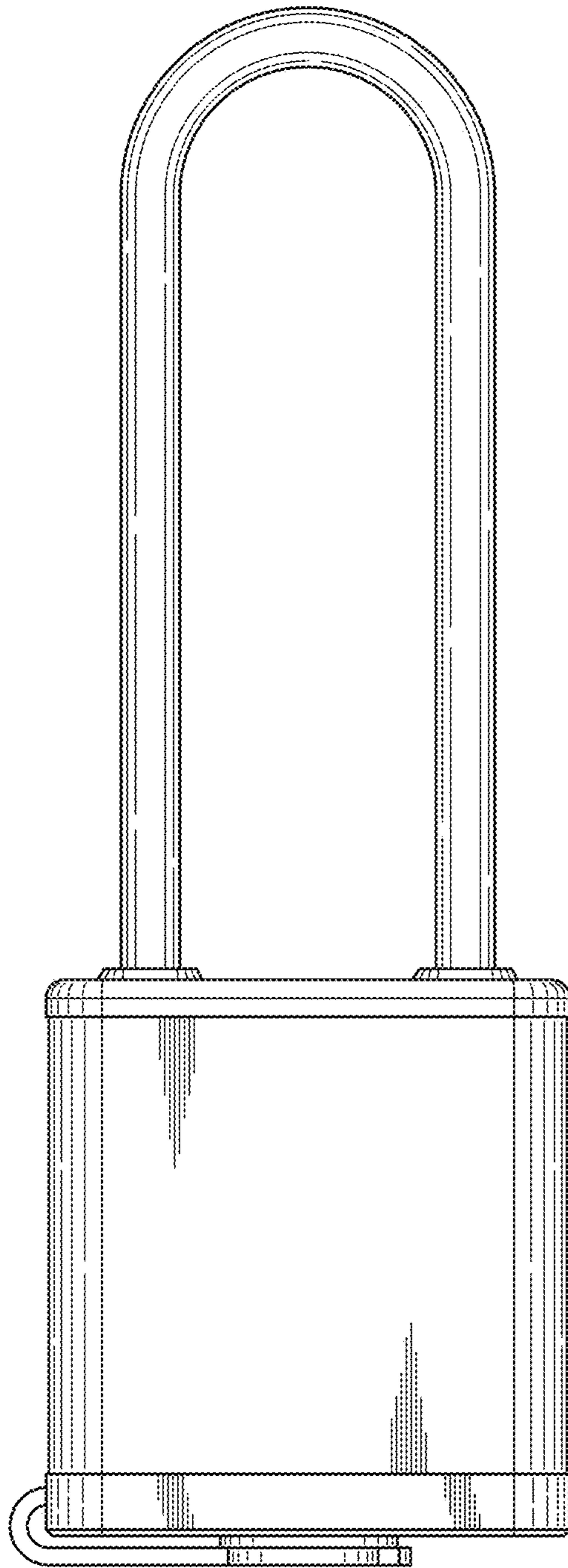


FIG. 12

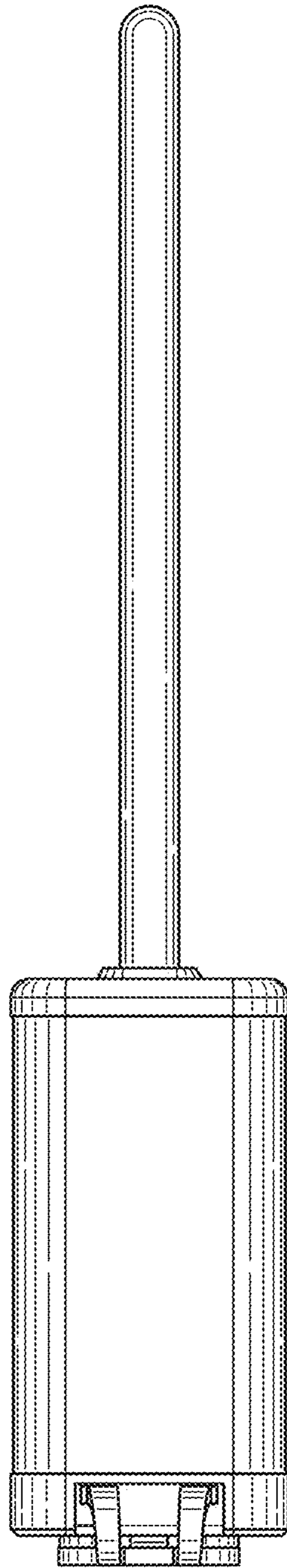


FIG. 13

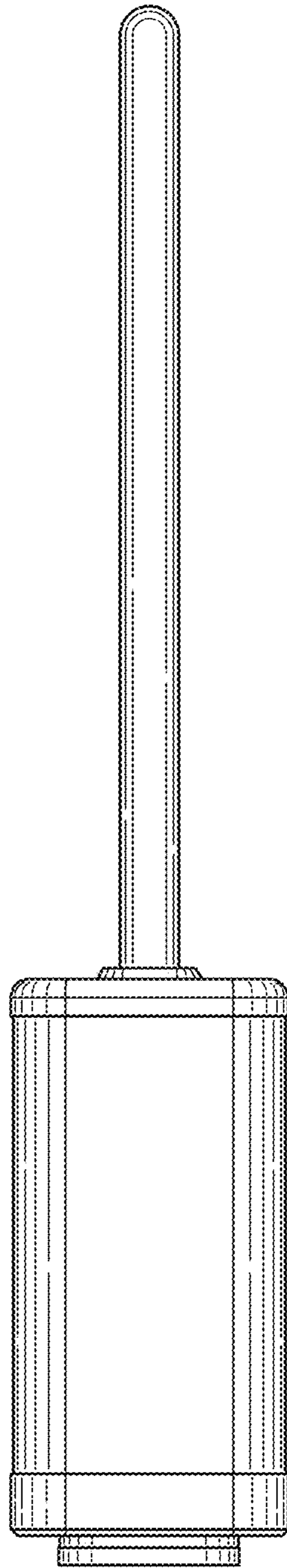


FIG. 14

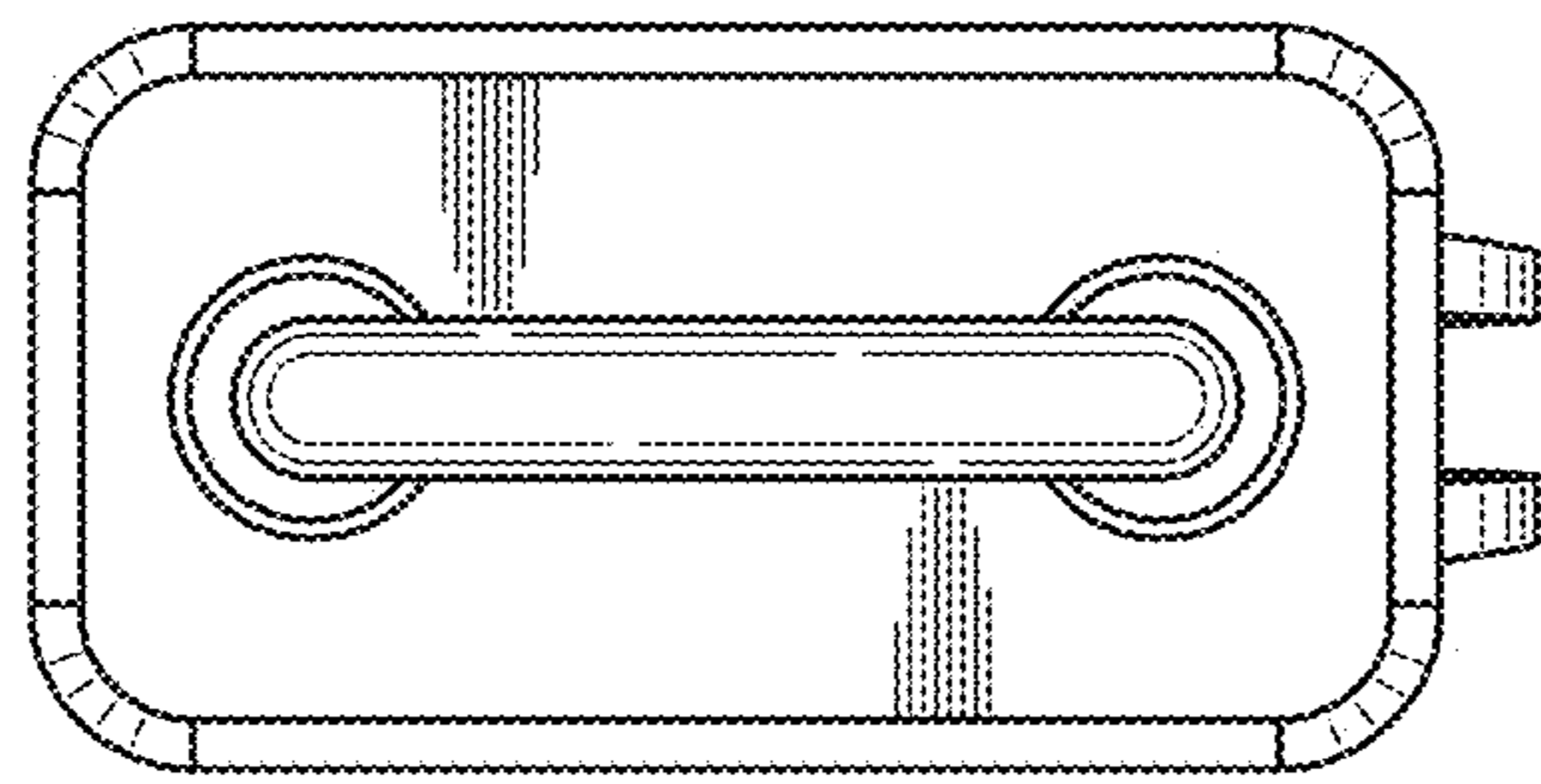


FIG. 15

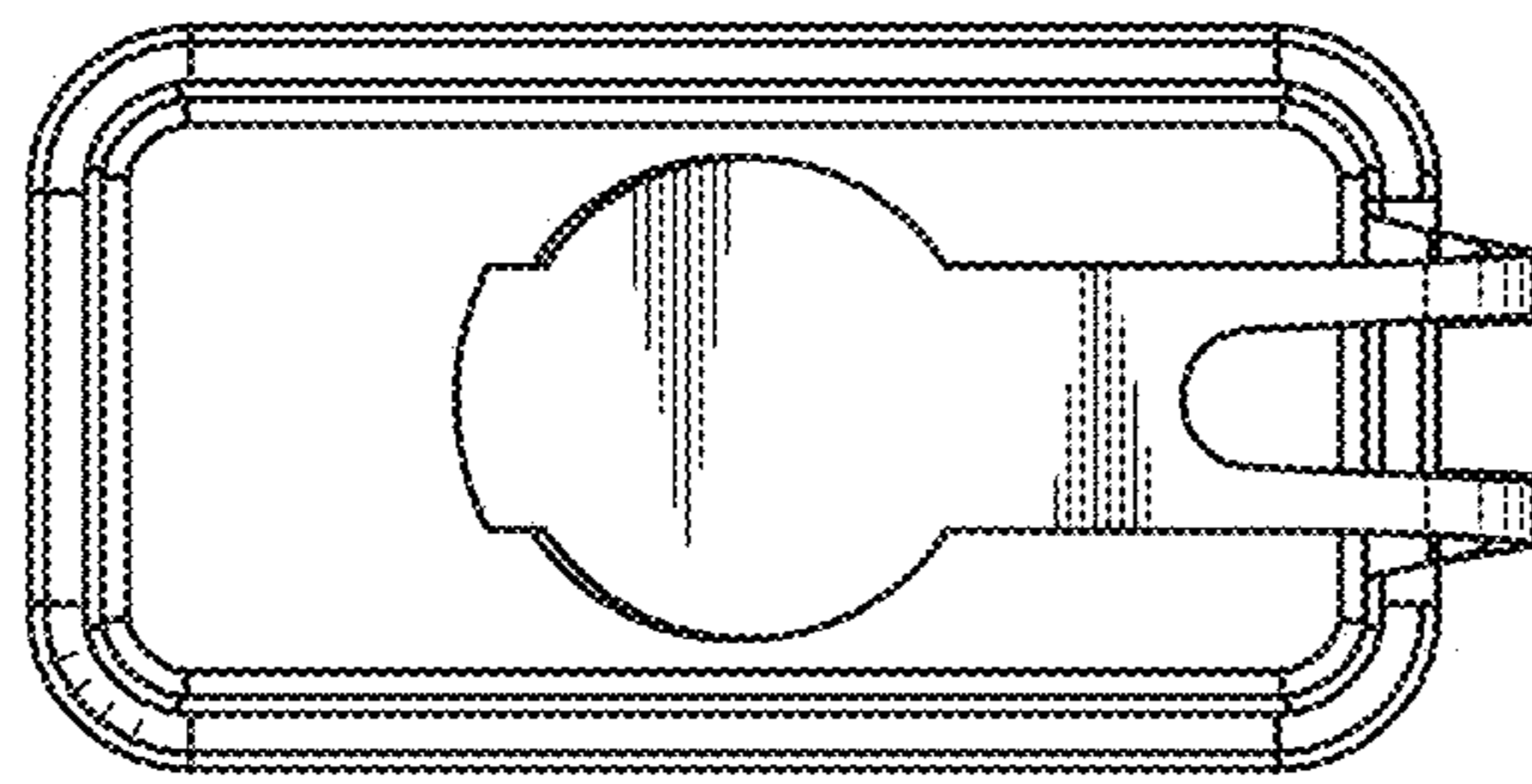


FIG. 16