



US00D902006S

(12) **United States Design Patent**
Ni

(10) **Patent No.:** **US D902,006 S**

(45) **Date of Patent:** **** Nov. 17, 2020**

(54) **VEHICLE DOOR LOCK**

10,060,166 B2 * 8/2018 Sayama E05B 85/20
10,107,016 B2 * 10/2018 Dikici E05B 85/06

(71) Applicant: **ZHEJIANG OKLEAD AUTO PARTS CO., LTD.**, Ruian (CN)

* cited by examiner

(72) Inventor: **Lixing Ni**, Ruian (CN)

Primary Examiner — Doris Clark

(74) *Attorney, Agent, or Firm* — Yong Chen

(73) Assignee: **ZHEJIANG OKLEAD AUTO PARTS CO., LTD.**, Ruian (CN)

(57) **CLAIM**

The ornamental design for a vehicle door lock, as shown and described.

(**) Term: **15 Years**

DESCRIPTION

(21) Appl. No.: **29/675,614**

FIG. 1 is a front view of a vehicle door lock of the present invention when the vehicle door lock is in a closed configuration.

(22) Filed: **Jan. 3, 2019**

The rear view of the vehicle door lock is identical to the front view shown in FIG. 1.

(51) **LOC (12) Cl.** **08-07**

FIG. 2 is a left view thereof.

(52) **U.S. Cl.**

The right view of the vehicle door lock is identical to the left view shown in FIG. 2.

USPC **D8/331**

(58) **Field of Classification Search**

FIG. 3 is a top view thereof.

USPC D8/330, 331

FIG. 4 is a bottom view thereof.

CPC E05B 83/00; E05B 83/36; E05B 83/42;

FIG. 5 is a perspective view thereof.

E05B 83/44; E05B 83/12; E05B 77/14;

FIG. 6 is an open exploded perspective view from the left and front.

E05B 77/16; E05B 77/18; E05B 77/20;

FIG. 7 is an open exploded perspective view from the top, right and front.

E05B 77/46; E05B 77/52; E05B 81/00

FIG. 8 is an open exploded right side view.

See application file for complete search history.

FIG. 9 is an open exploded perspective view from the top, rear, and right.

(56) **References Cited**

FIG. 10 is an open exploded left side view.

U.S. PATENT DOCUMENTS

FIG. 11 is an open exploded perspective view from the bottom, left, and front; and,

D374,599 S * 10/1996 Bridges, Jr. D8/331

FIG. 12 is an open exploded perspective view from the bottom, right, and rear.

8,851,533 B2 * 10/2014 Akizuki E05B 65/00

292/200

8,870,248 B2 * 10/2014 Graute E05B 77/28

292/201

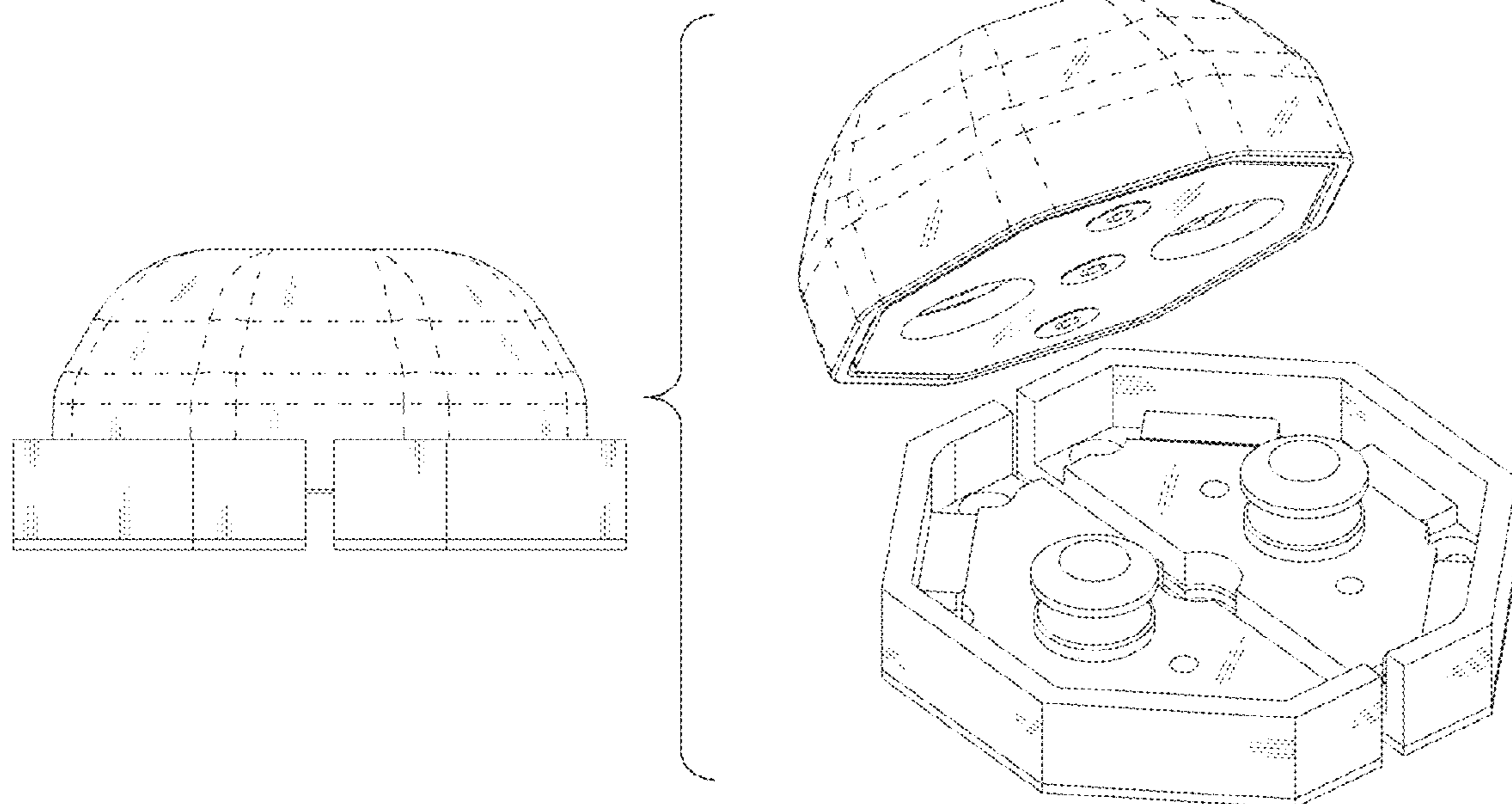
9,109,382 B2 * 8/2015 Yamaguchi E05B 83/36

9,506,277 B2 * 11/2016 Lee E05B 15/0093

9,540,853 B2 * 1/2017 Pickar E05B 83/44

10,060,165 B2 * 8/2018 Yamaguchi E05B 85/02

1 Claim, 12 Drawing Sheets



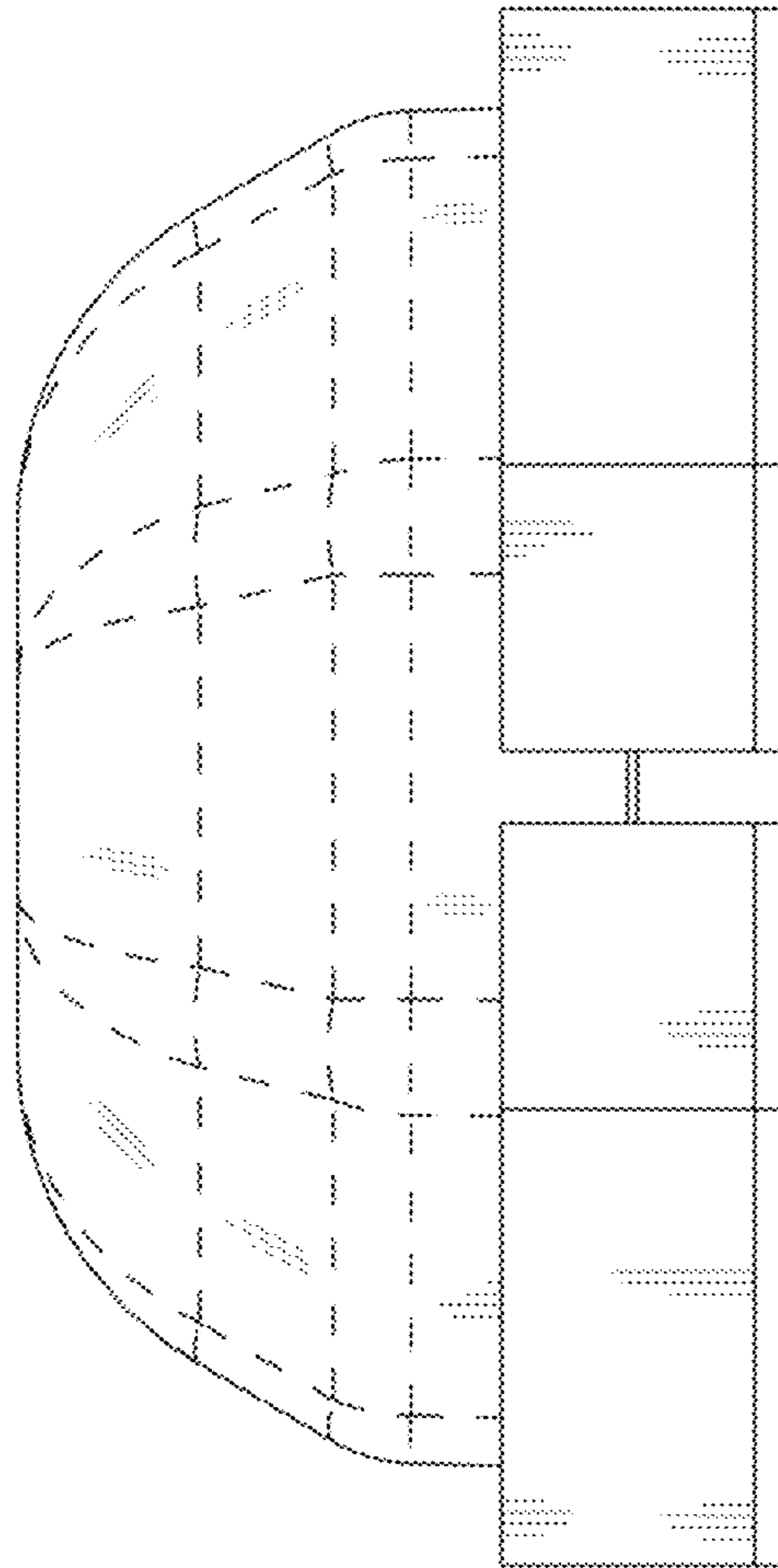


FIG. 1

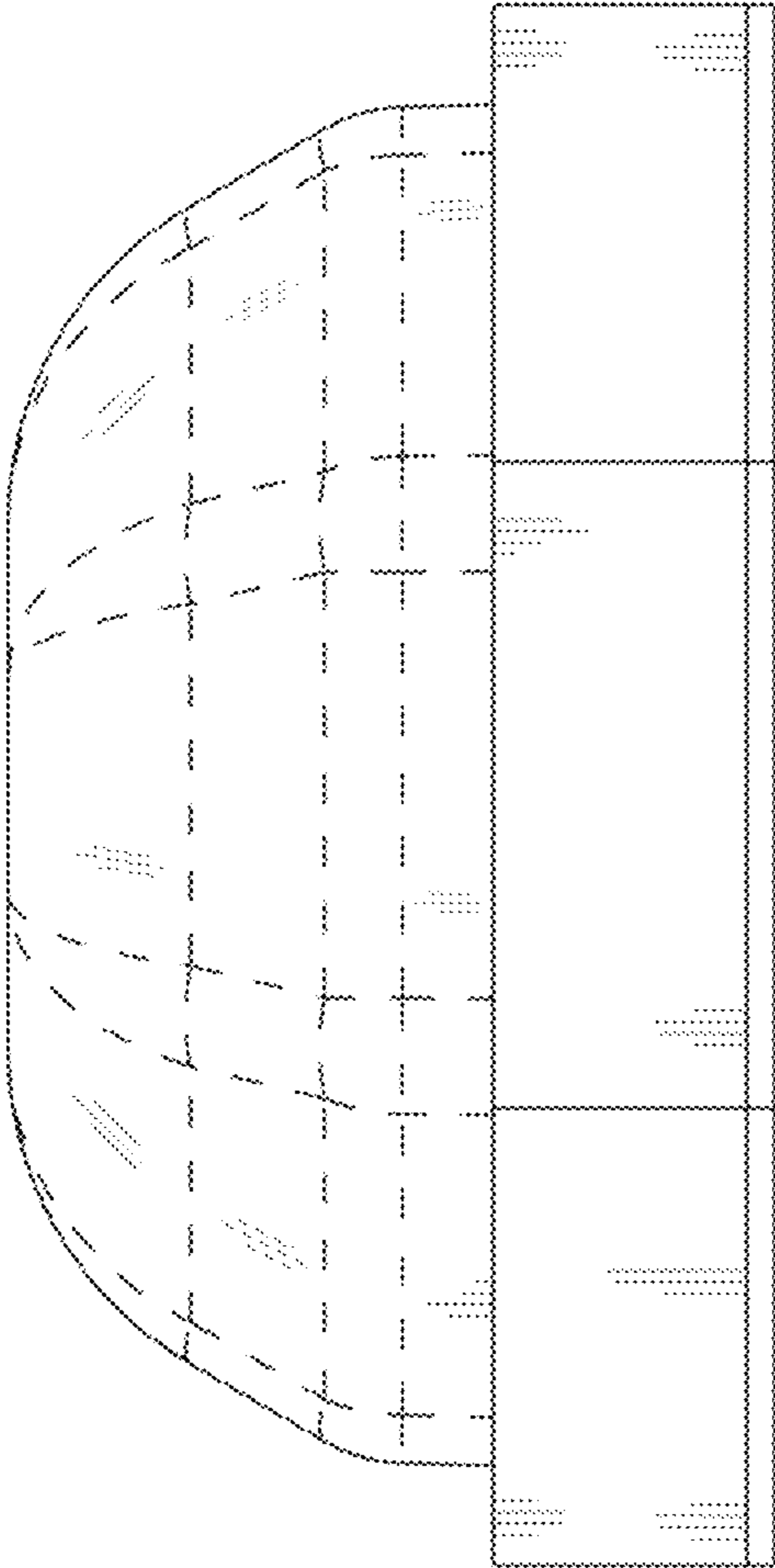


FIG. 2

FIG. 3

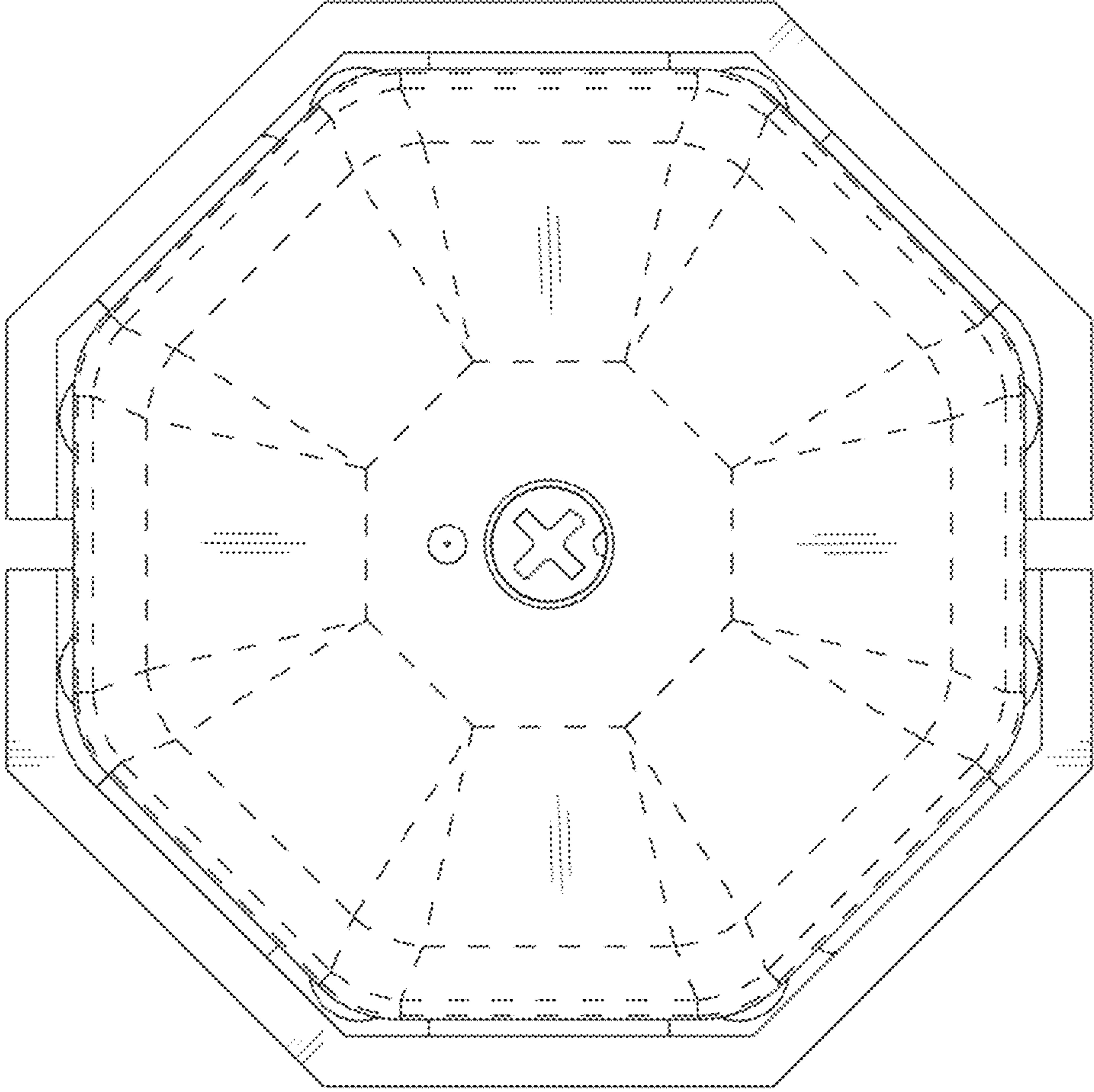
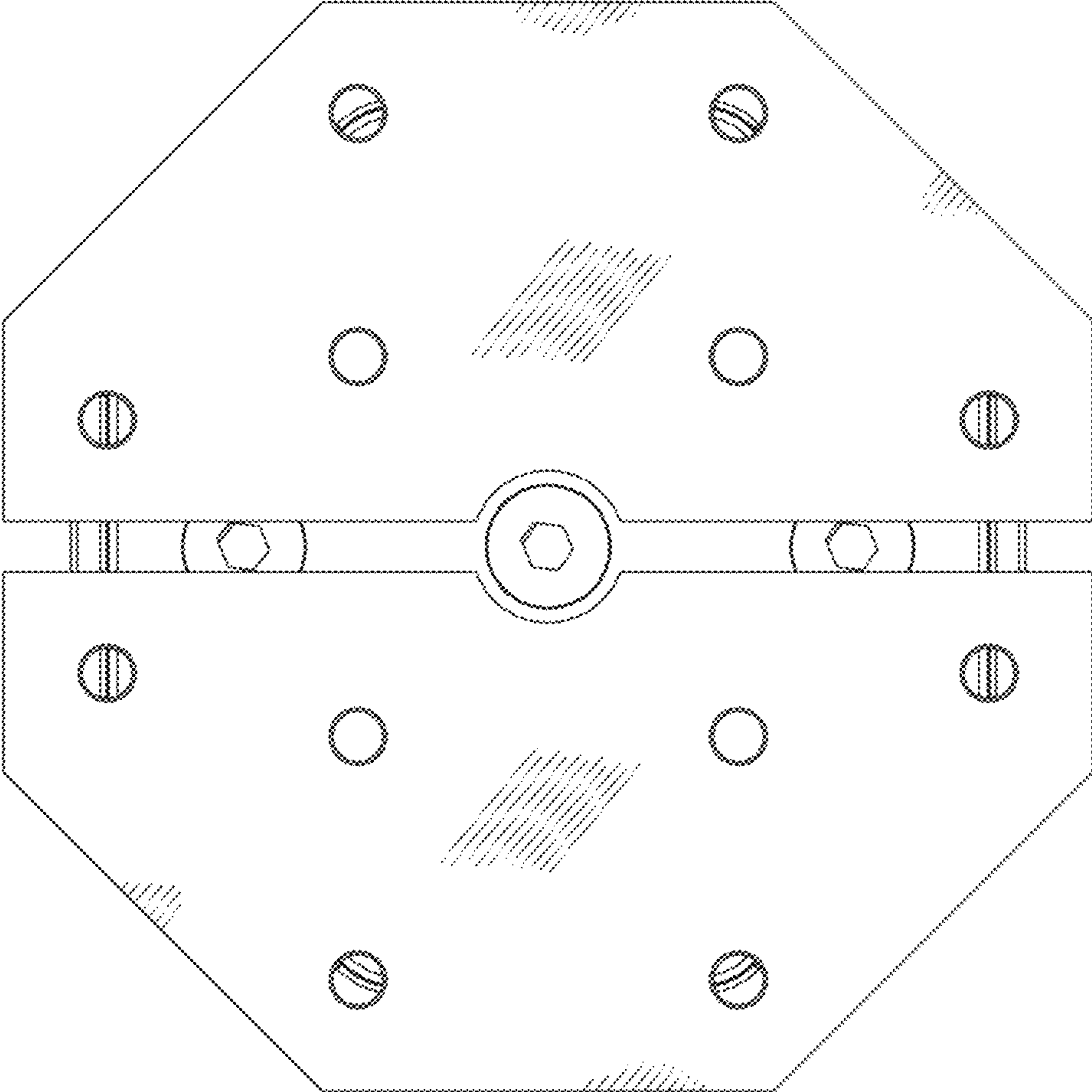


FIG. 4



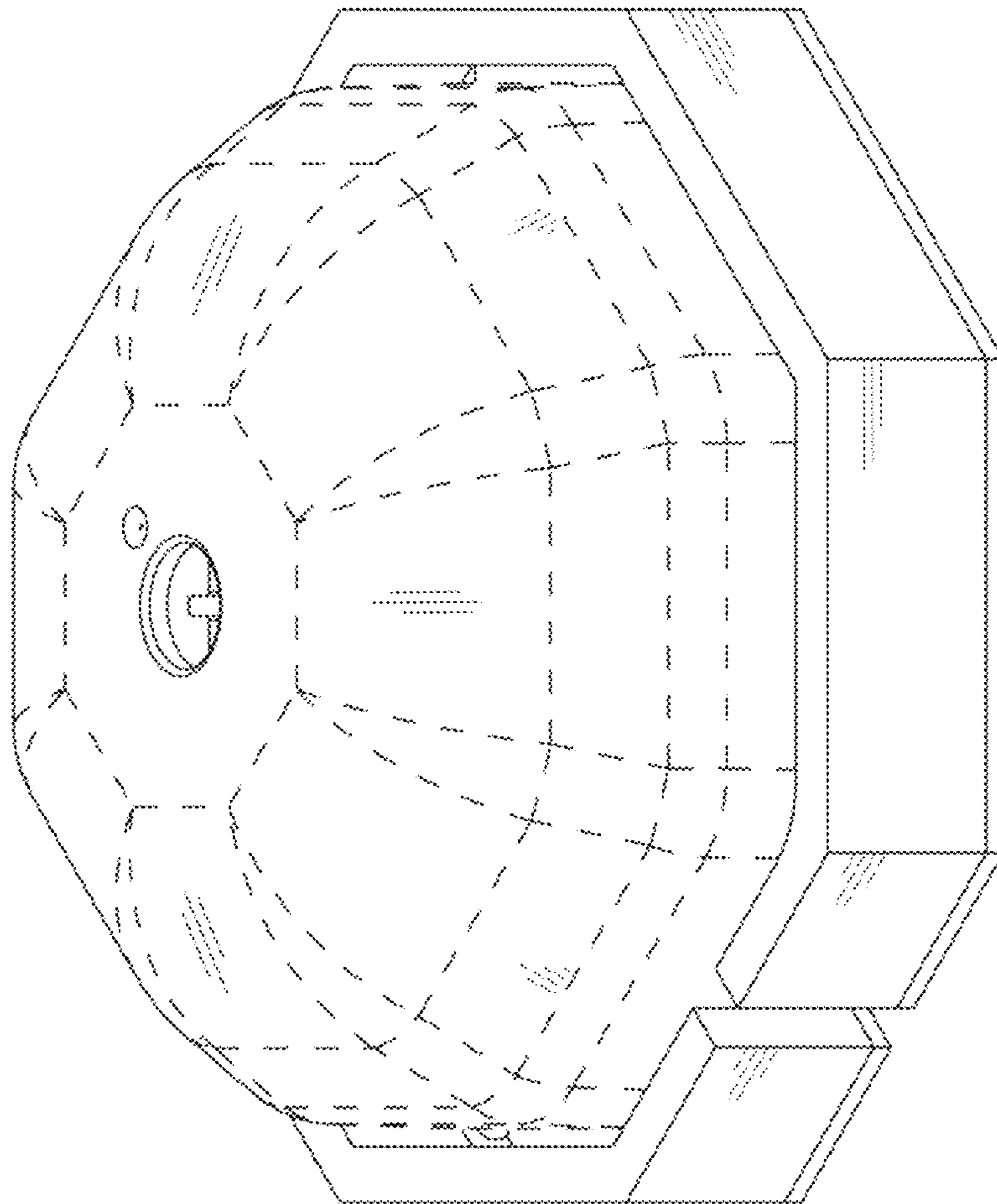


FIG. 5

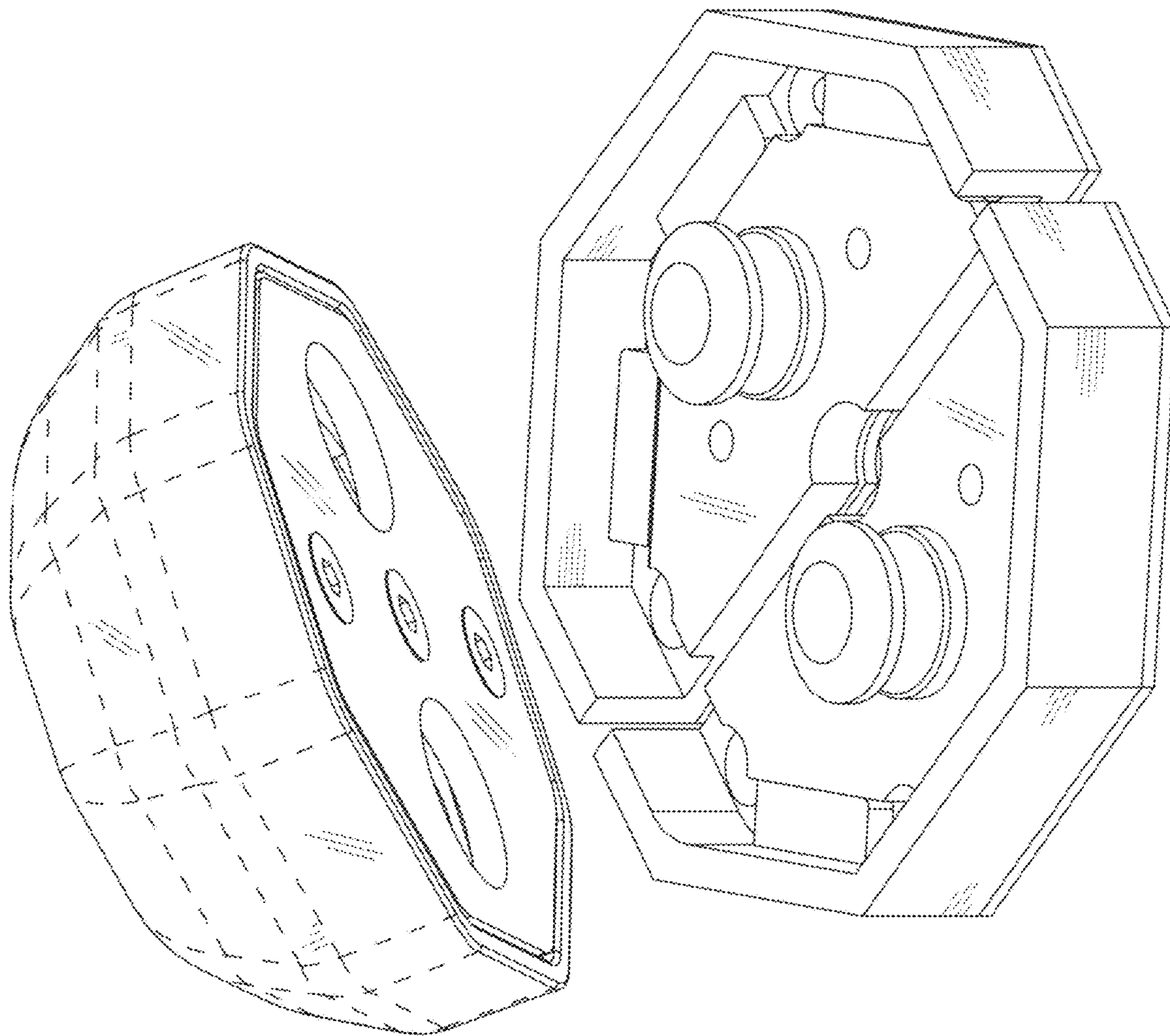


FIG. 6

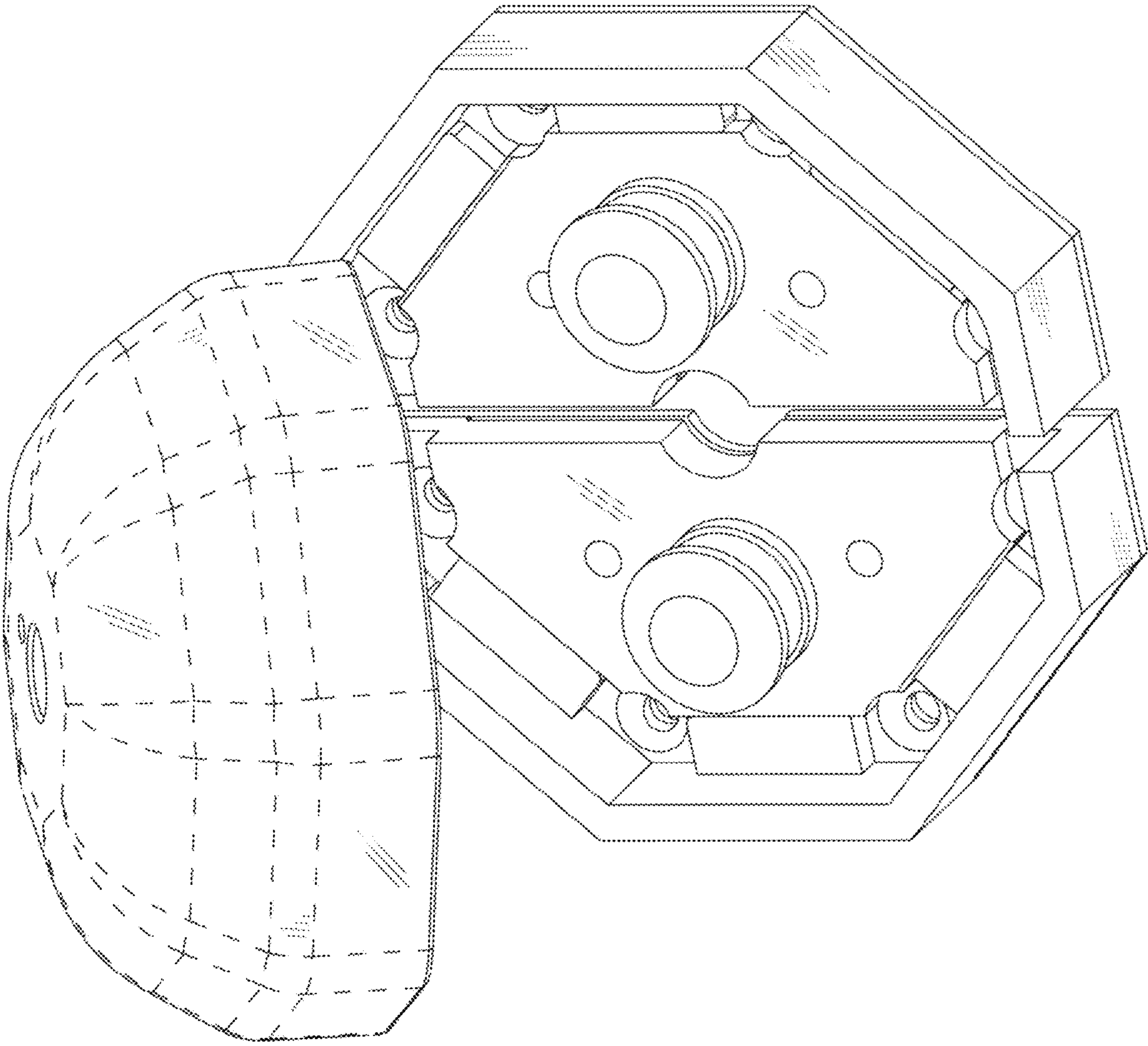


FIG. 7

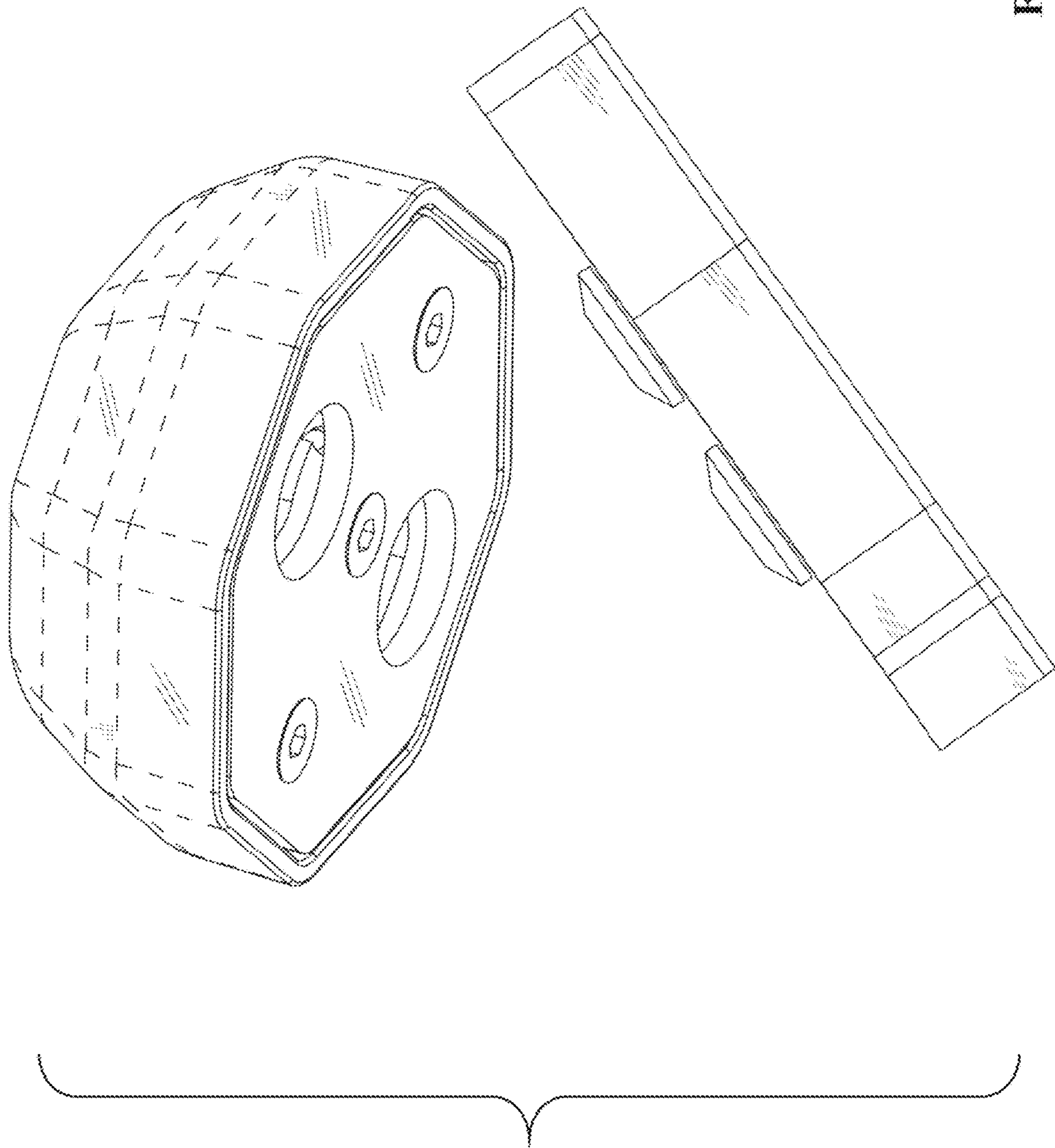


FIG. 8

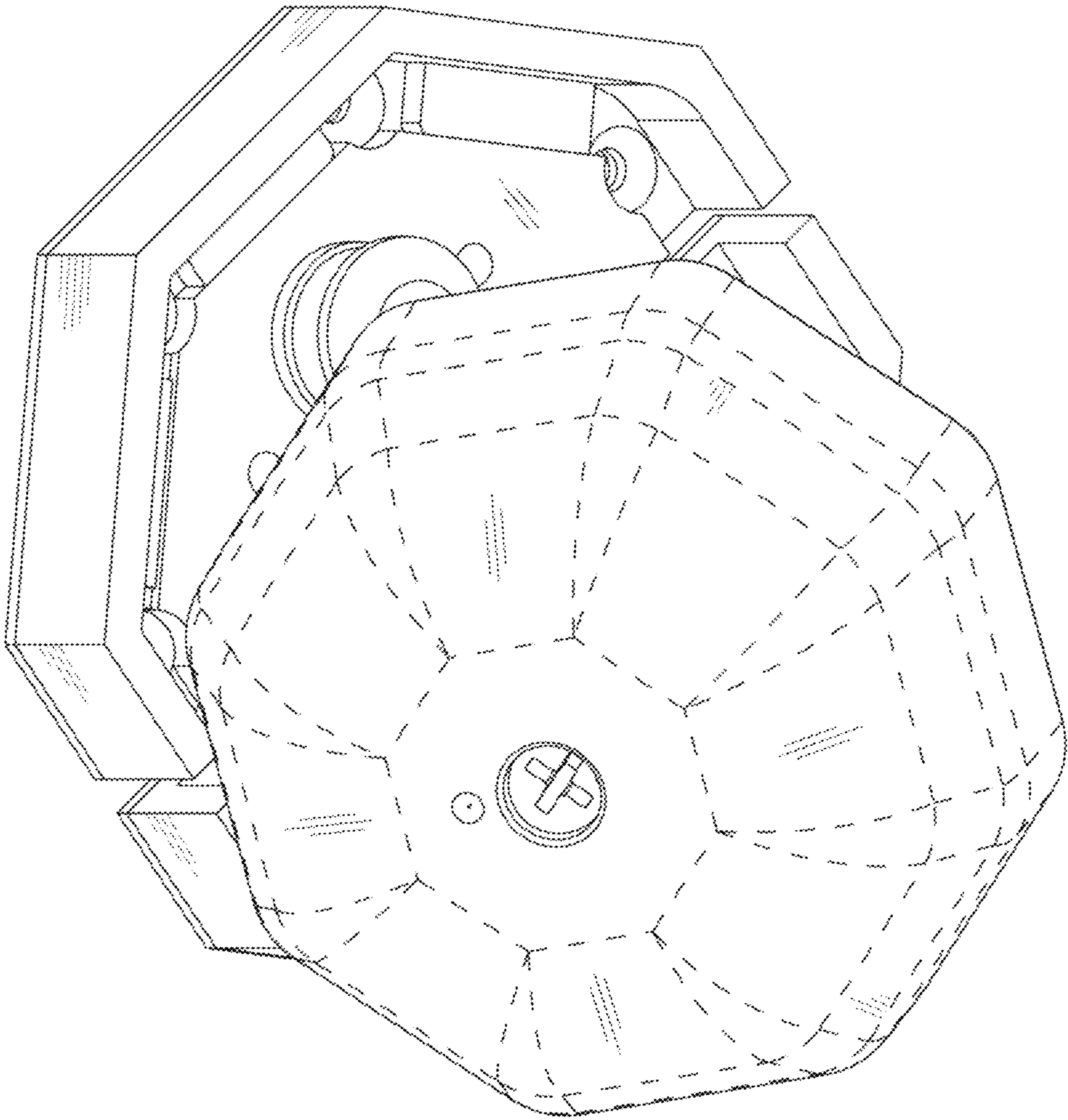


FIG. 9

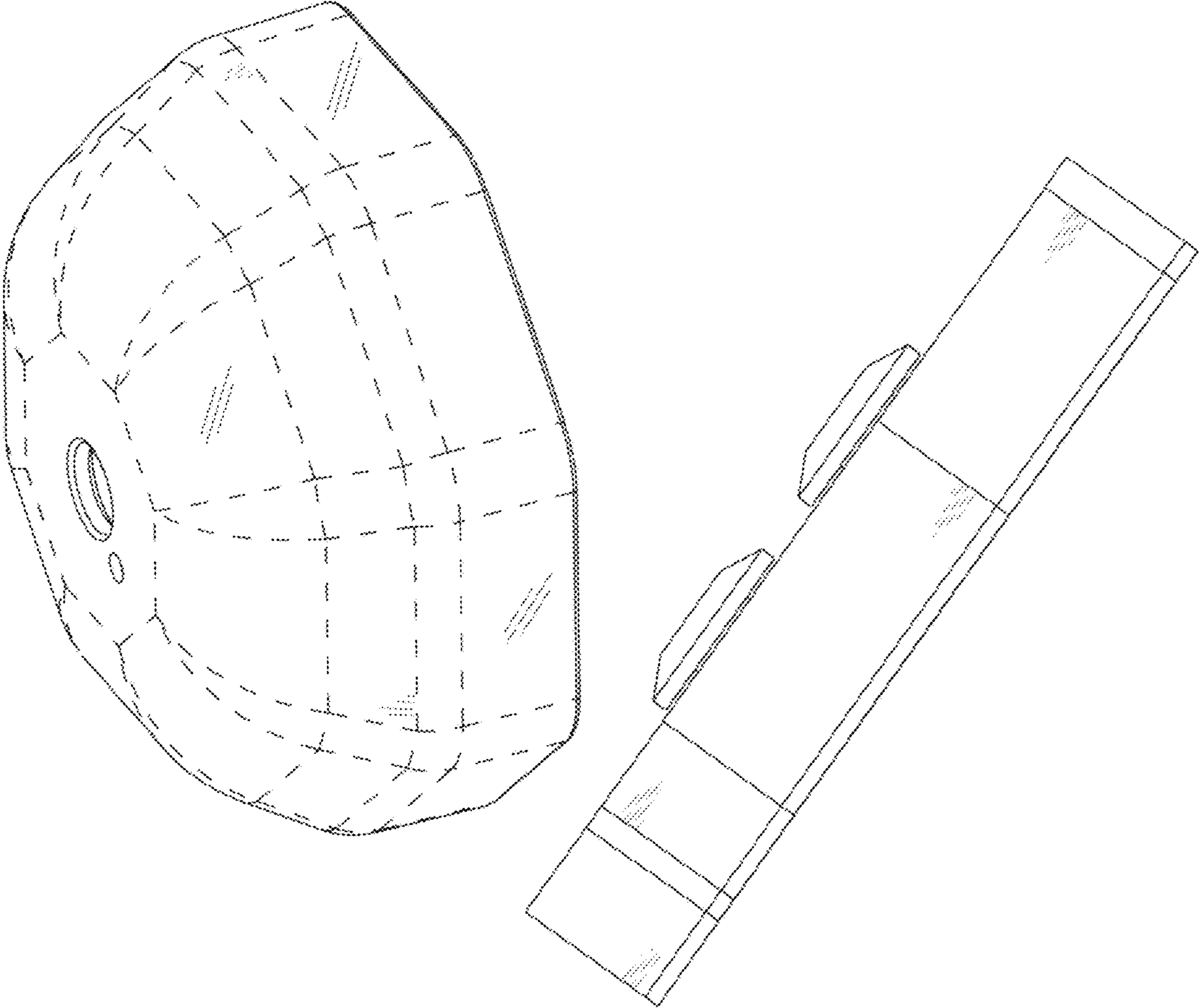


FIG. 10



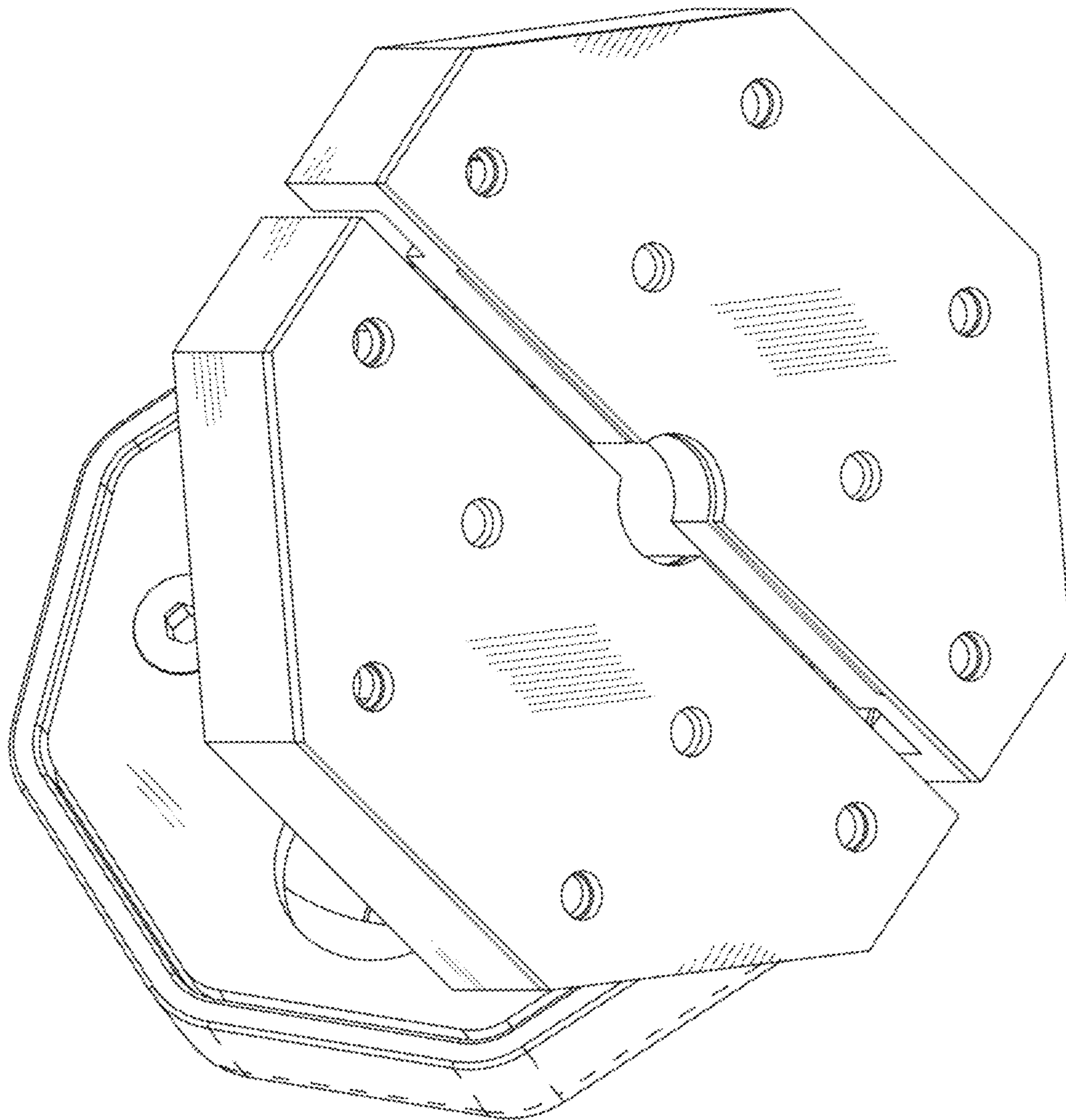


FIG. 11

FIG. 12

