



US00D902005S

(12) **United States Design Patent** (10) **Patent No.:** **US D902,005 S**
Cotton (45) **Date of Patent:** **** Nov. 17, 2020**

(54) **DOOR LOCKING DEVICE**

(71) Applicant: **David Cotton**, Gretna, NE (US)

(72) Inventor: **David Cotton**, Gretna, NE (US)

(**) Term: **15 Years**

(21) Appl. No.: **29/660,713**

(22) Filed: **Aug. 22, 2018**

(51) **LOC (12) Cl.** **08-07**

(52) **U.S. Cl.**
USPC **D8/331**

(58) **Field of Classification Search**

USPC D8/307, 308, 309, 315, 330, 331, 336,
D8/338, 339, 341, 342, 343
CPC E05C 19/18; E05C 19/182; E05C 19/184;
E05C 19/188; E05C 17/54; Y10T
70/5155; Y10T 70/5164; Y10T 70/5168;
Y10T 70/5199

See application file for complete search history.

(56) **References Cited**

U.S. PATENT DOCUMENTS

3,819,216 A * 6/1974 Richardson E05C 19/003
292/259 R

3,980,328 A 9/1976 Pearson
(Continued)

Primary Examiner — Steven J Czyz

(74) *Attorney, Agent, or Firm* — Suiter Swantz pc llo

(57) **CLAIM**

The ornamental design for a door locking device, as shown and described.

DESCRIPTION

FIG. 1 is a perspective view of the first embodiment of the door locking device;

FIG. 2 is a top plan view of the first embodiment of the door locking device;

FIG. 3 is a bottom plan view of the first embodiment of the door locking device;

FIG. 4 is a side elevation of the first embodiment of the door locking device;

FIG. 5 is a second side elevation of the first embodiment of the door locking device;

FIG. 6 is a front elevation of the first embodiment of the door locking device;

FIG. 7 is a rear elevation of the first embodiment of the door locking device;

FIG. 8 is a perspective view of the second embodiment of the door locking device;

FIG. 9 is a top plan of the second embodiment of the door locking device;

FIG. 10 is a bottom plan of the second embodiment of the door locking device;

FIG. 11 is a side elevation of the second embodiment of the door locking device;

FIG. 12 is a second side elevation of the second embodiment of the door locking device;

FIG. 13 is a front elevation of the second embodiment of the door locking device;

FIG. 14 is a rear elevation of the second embodiment of the door locking device;

FIG. 15 is a perspective view of the first embodiment of the door locking device in implementation and in an open state;

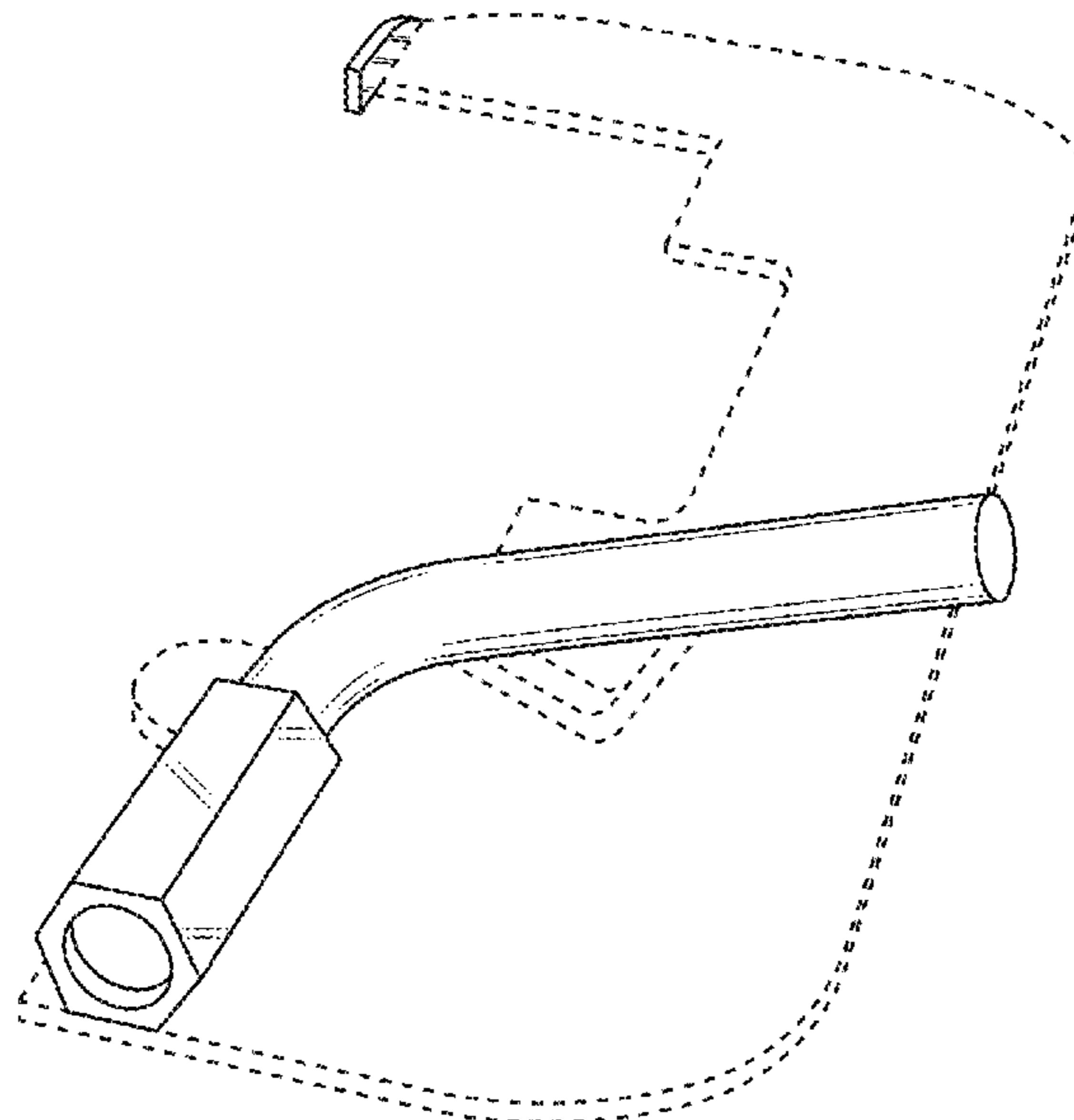
FIG. 16 is a perspective view of the first embodiment of the door locking device in implementation and in a closed state;

FIG. 17 is a perspective view of the second embodiment of the door locking device in implementation and in an open state; and,

FIG. 18 is a perspective view of the second embodiment of the door locking device in implementation and in a closed state.

The broken-lines shown in the figures depict portions of the door locking device that form no part of the claimed design.

1 Claim, 18 Drawing Sheets



(56)

References Cited

U.S. PATENT DOCUMENTS

3,997,206 A * 12/1976 Hagopian E05C 19/18
292/290
4,012,065 A * 3/1977 Miller E05B 65/0014
292/288
4,334,705 A * 6/1982 Rumph E05C 19/18
292/288
4,355,829 A * 10/1982 Gregory A01K 1/0017
292/216
4,512,105 A * 4/1985 Norton A01K 1/0017
292/148
4,529,235 A 7/1985 Florentine, Sr.
4,575,140 A * 3/1986 Dargis E05C 19/184
292/288
D283,199 S * 4/1986 Ostergren D8/338
4,852,921 A 8/1989 Gilbert et al.
4,955,648 A * 9/1990 Miller E05C 19/18
292/258
4,974,999 A * 12/1990 Fritz B65G 53/46
406/128
5,114,195 A * 5/1992 Martin E05C 19/16
292/251.5
5,291,760 A * 3/1994 Schrader E05C 19/18
292/288
5,340,172 A * 8/1994 Sweet E05C 19/003
292/259 R
5,540,065 A * 7/1996 Wyers E05B 37/02
70/14

5,826,923 A 10/1998 Bethurem
D439,827 S * 4/2001 Wyers D8/341
6,530,247 B2 3/2003 Moores
6,560,925 B1 5/2003 Rice
D484,388 S * 12/2003 Nassie D8/330
D531,008 S * 10/2006 Recknagel D8/339
D533,046 S * 12/2006 Donald D8/301
D539,113 S * 3/2007 Fulkerson D8/307
D540,151 S * 4/2007 Ebersole D8/343
D546,663 S * 7/2007 Recknagel D8/331
D569,218 S * 5/2008 Montague D8/307
7,637,130 B2 12/2009 Carr
8,469,410 B2 * 6/2013 Wood E05C 7/00
292/288
D715,621 S * 10/2014 Davis D8/330
9,033,378 B2 * 5/2015 Jenkins E05C 19/184
292/256.71
9,109,383 B2 * 8/2015 Jeffries E05C 19/001
D742,202 S * 11/2015 Cyphers D8/330
D767,384 S * 9/2016 Burns D8/402
D813,011 S * 3/2018 Dooney D8/331
9,976,325 B2 * 5/2018 Zolman E05C 19/184
10,184,278 B2 * 1/2019 Lowe E05C 19/003
D856,859 S * 8/2019 Siegel D12/162
D859,956 S * 9/2019 McNaughton D8/307
2002/0088255 A1 7/2002 Moores
2014/0306464 A1 * 10/2014 Lowe E05C 19/003
292/260
2015/0137534 A1 5/2015 Brunke et al.

* cited by examiner

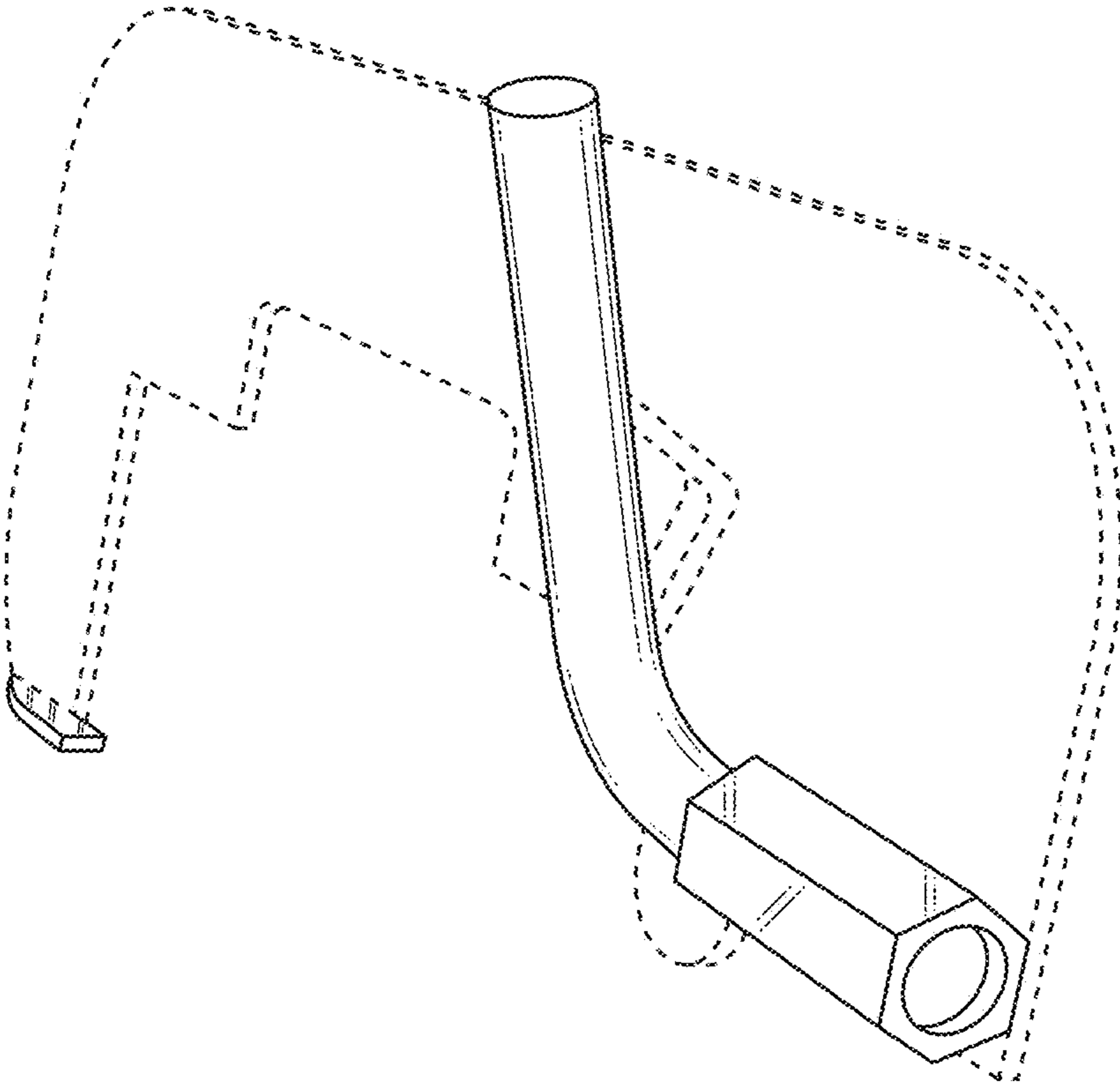


FIG.1

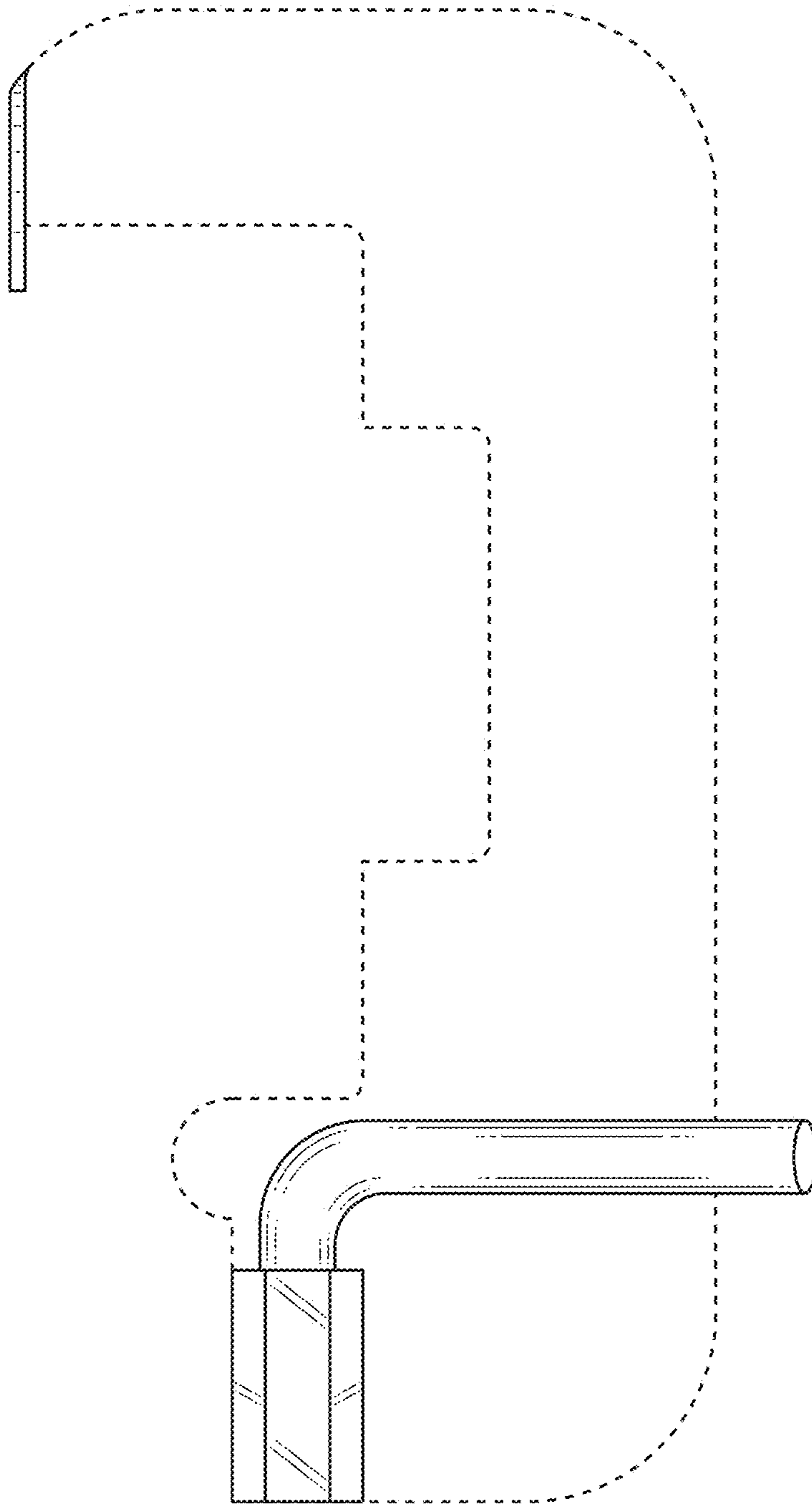


FIG.2

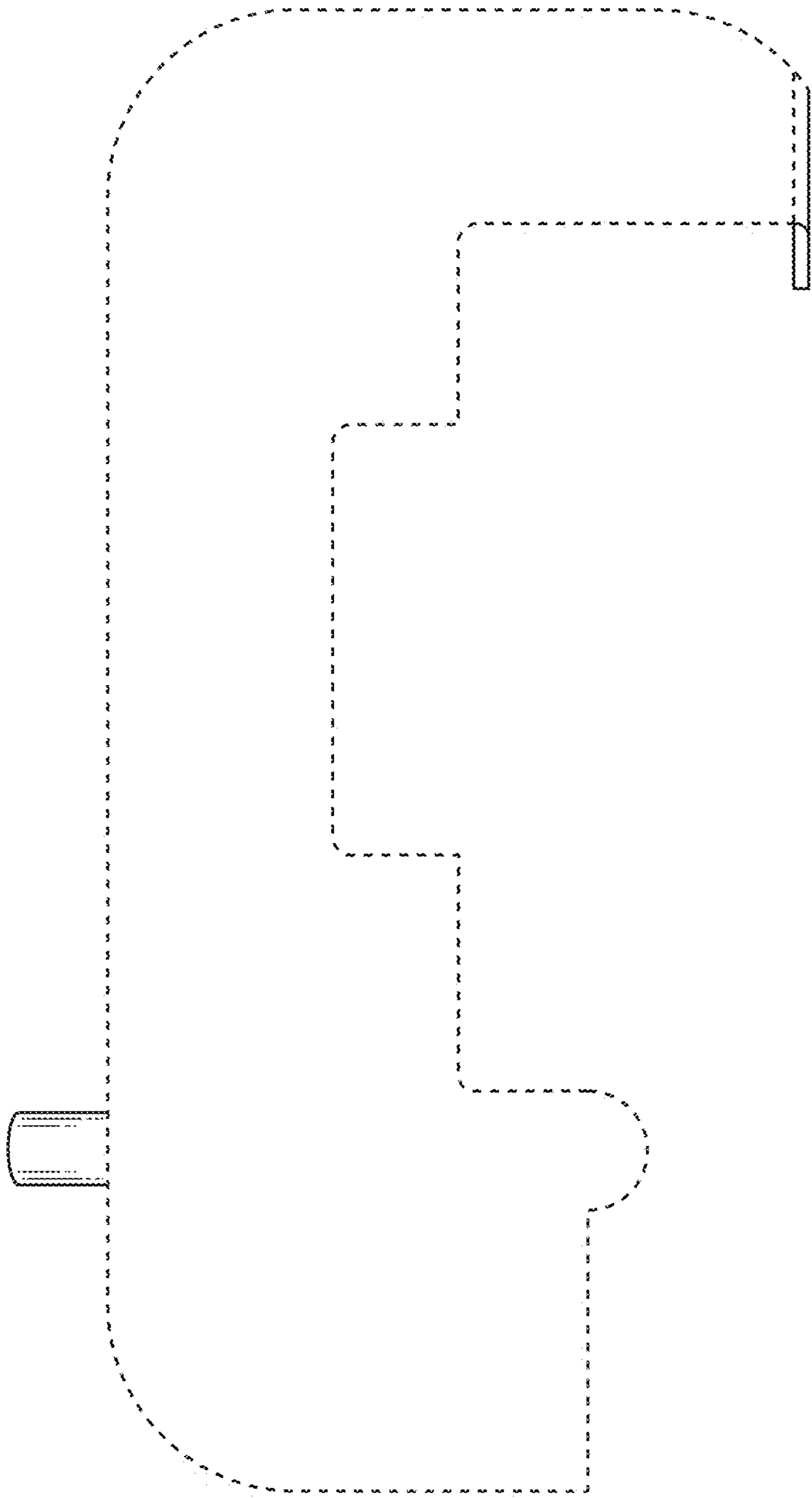


FIG. 3

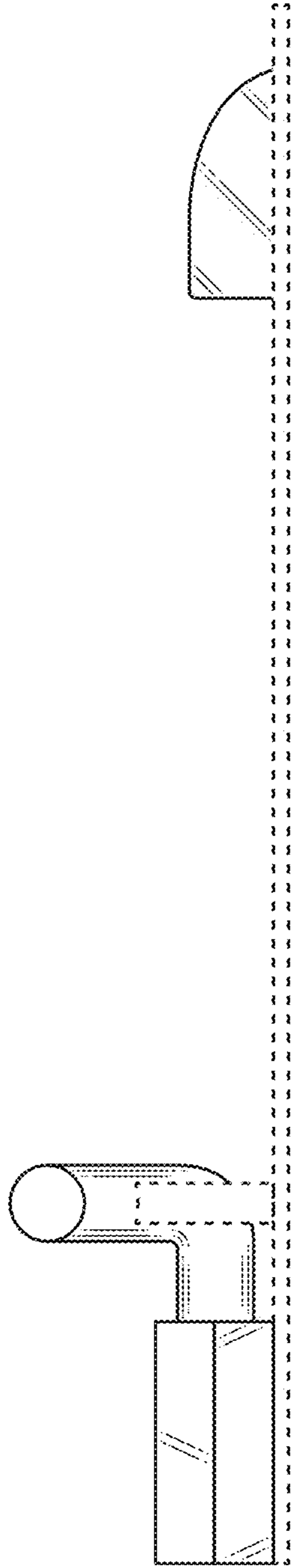


FIG.4

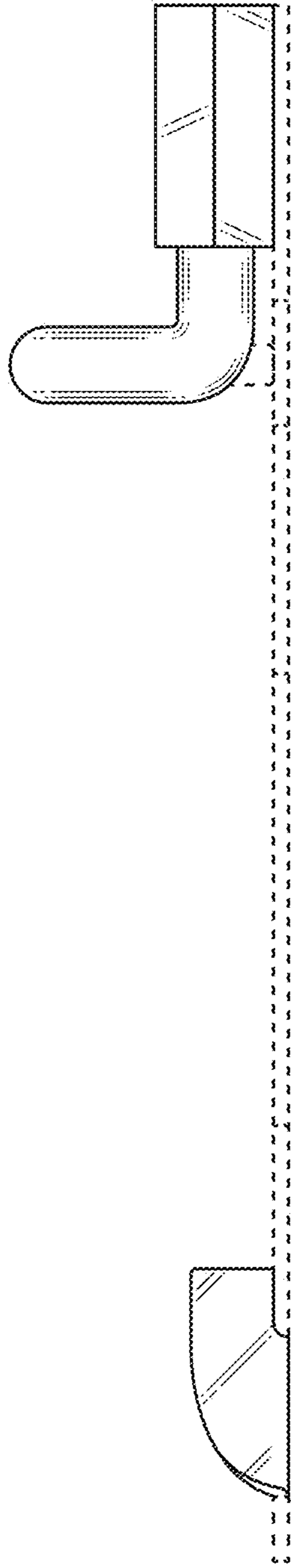


FIG. 5

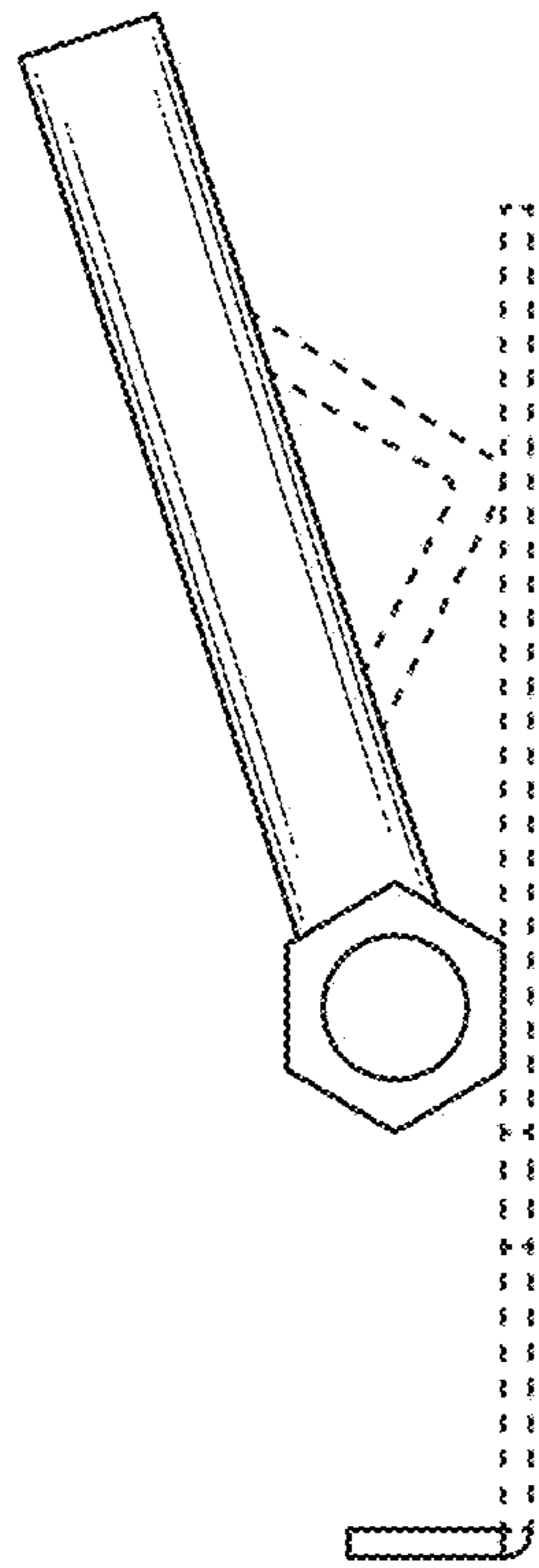


FIG.6

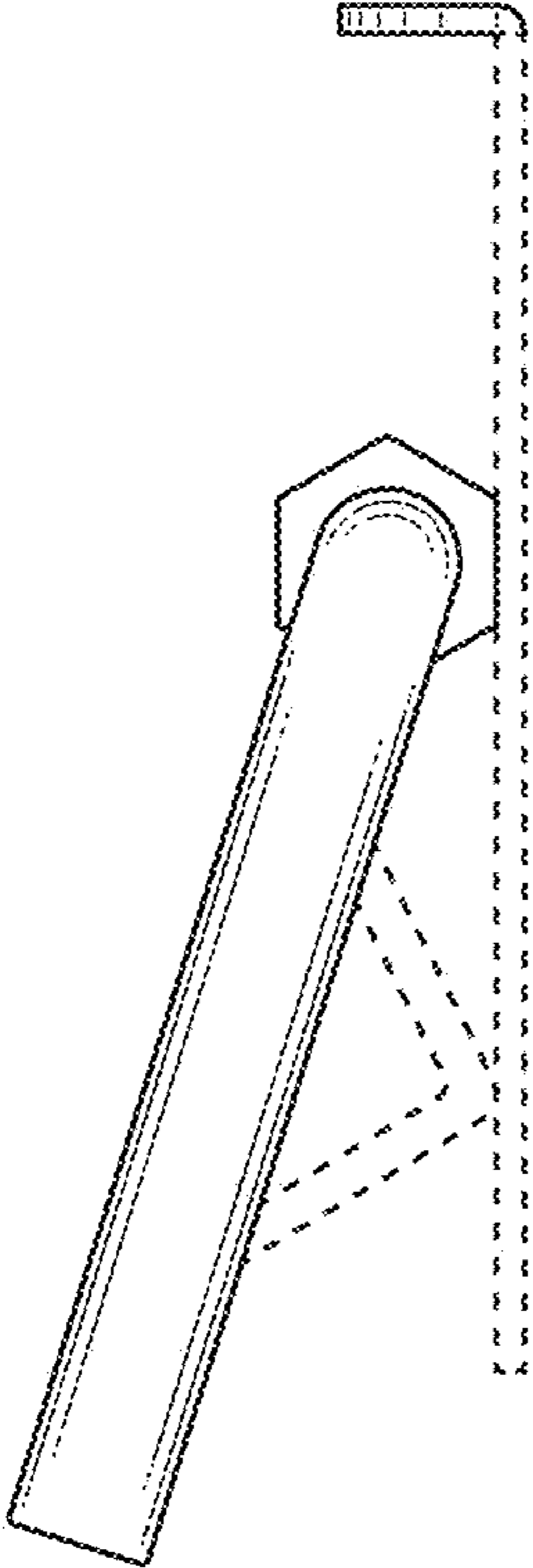


FIG. 7

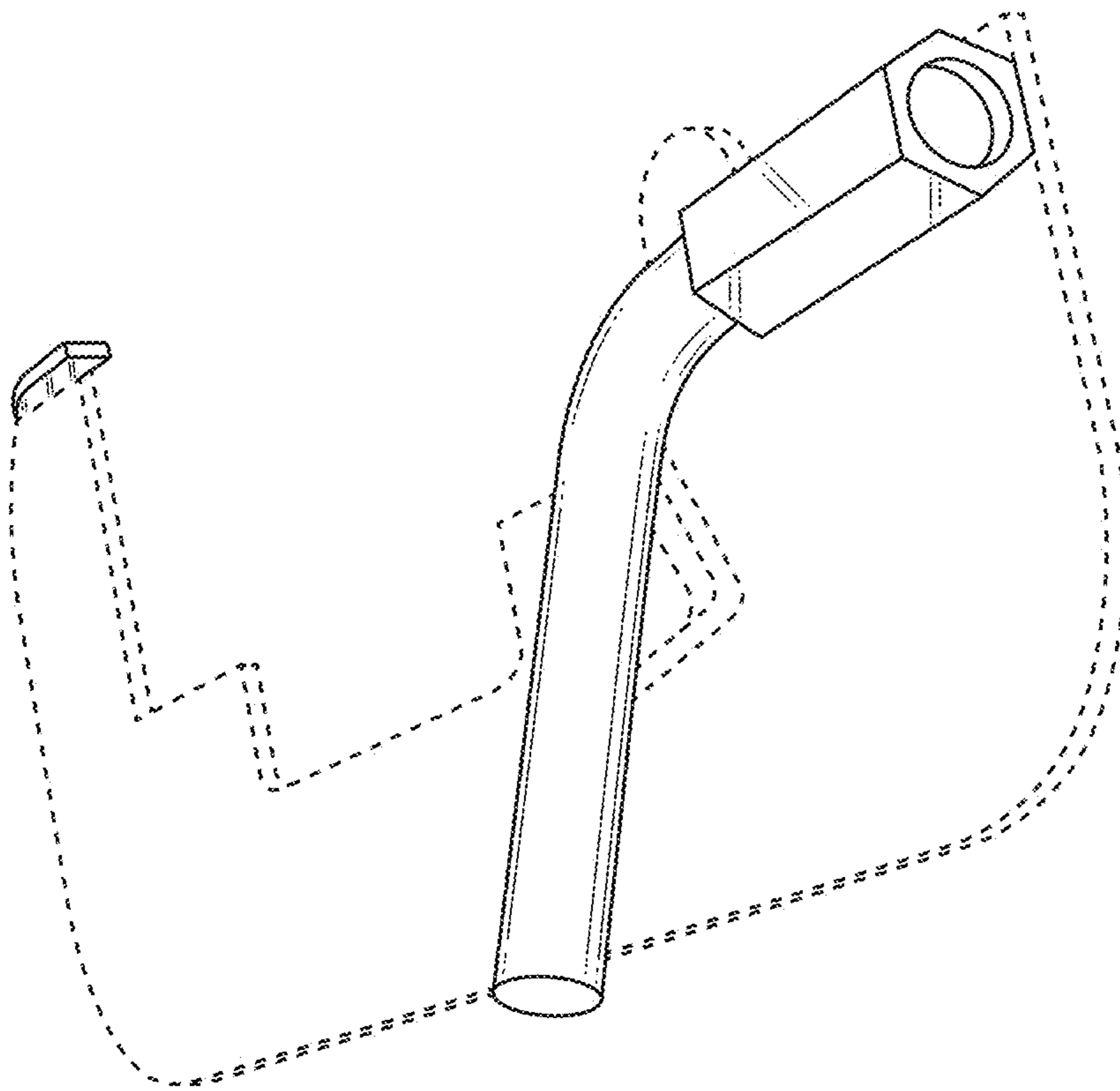


FIG. 8

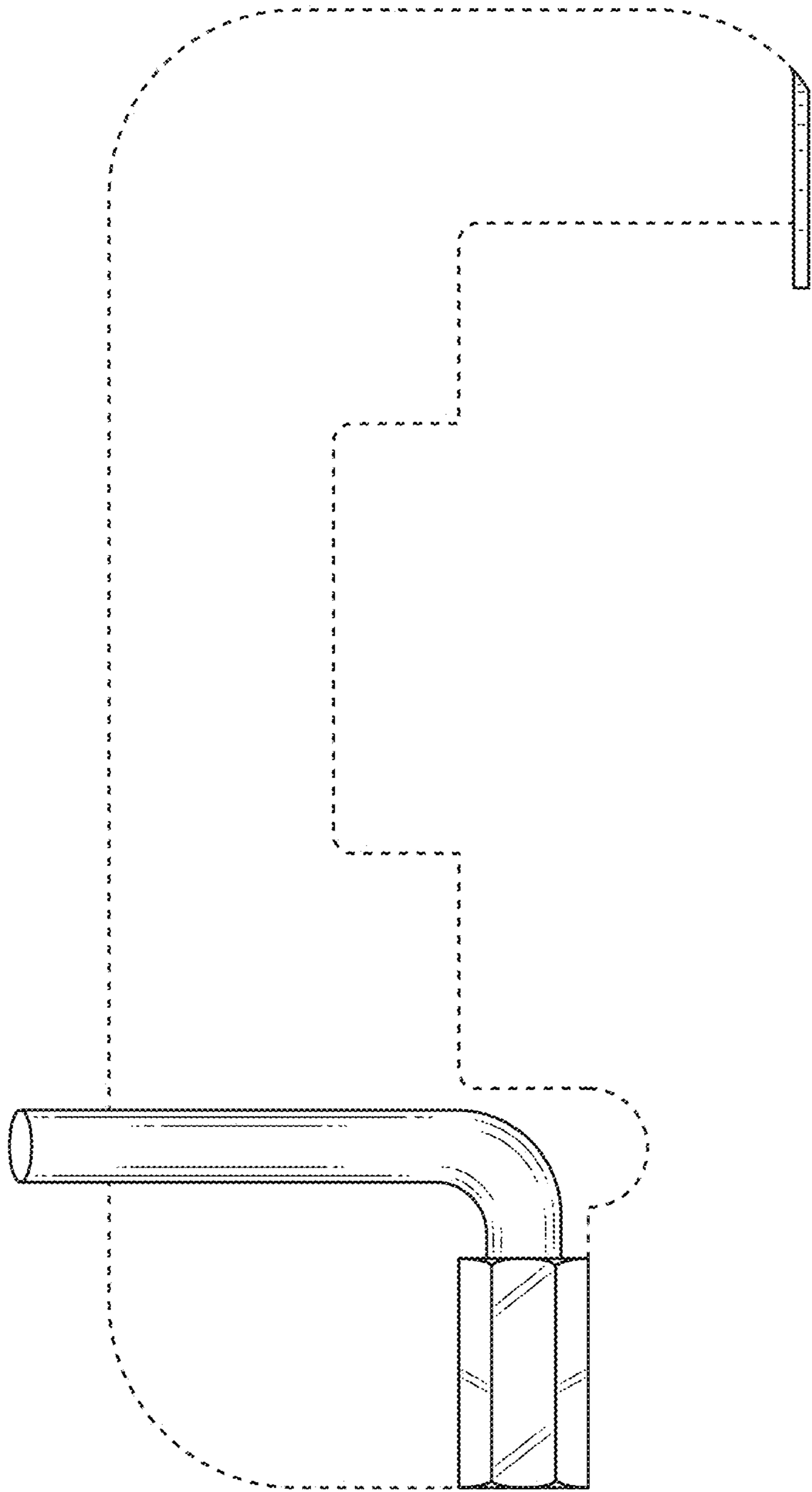


FIG. 9

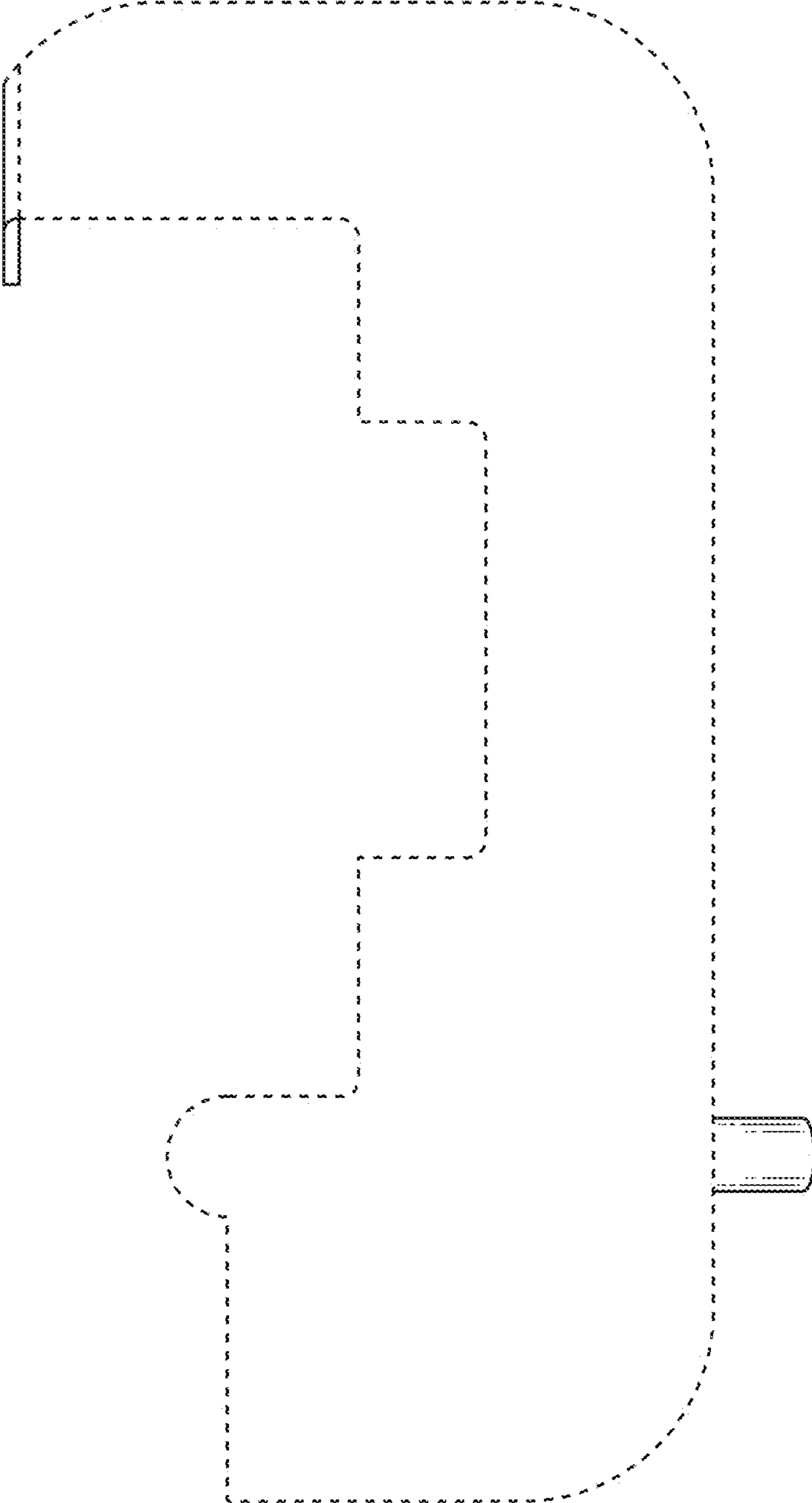


FIG. 10

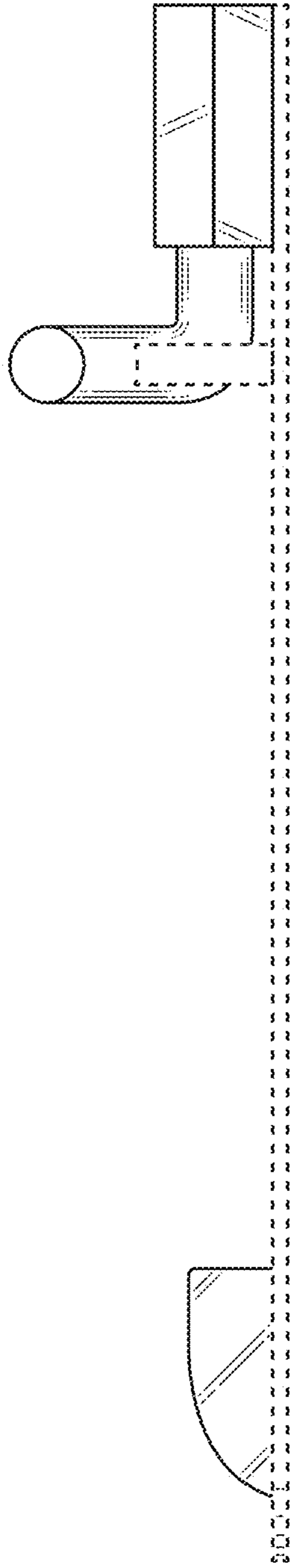


FIG.11

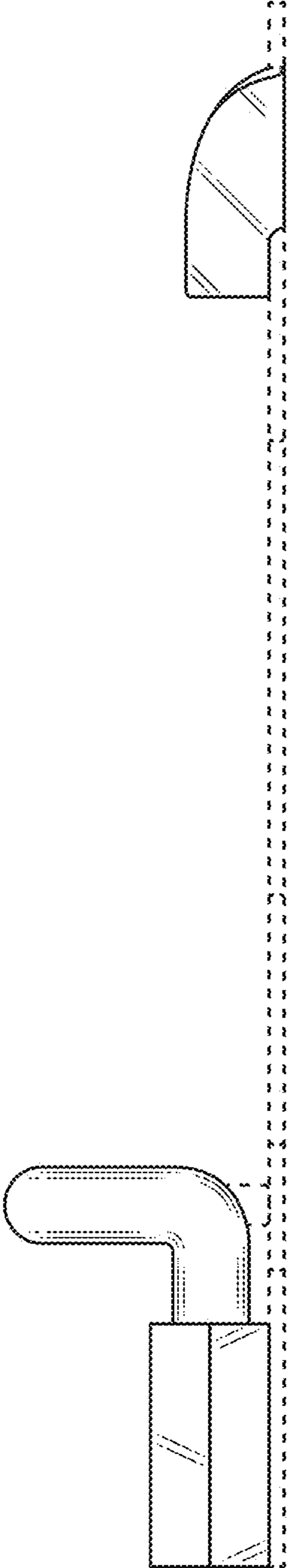


FIG.12

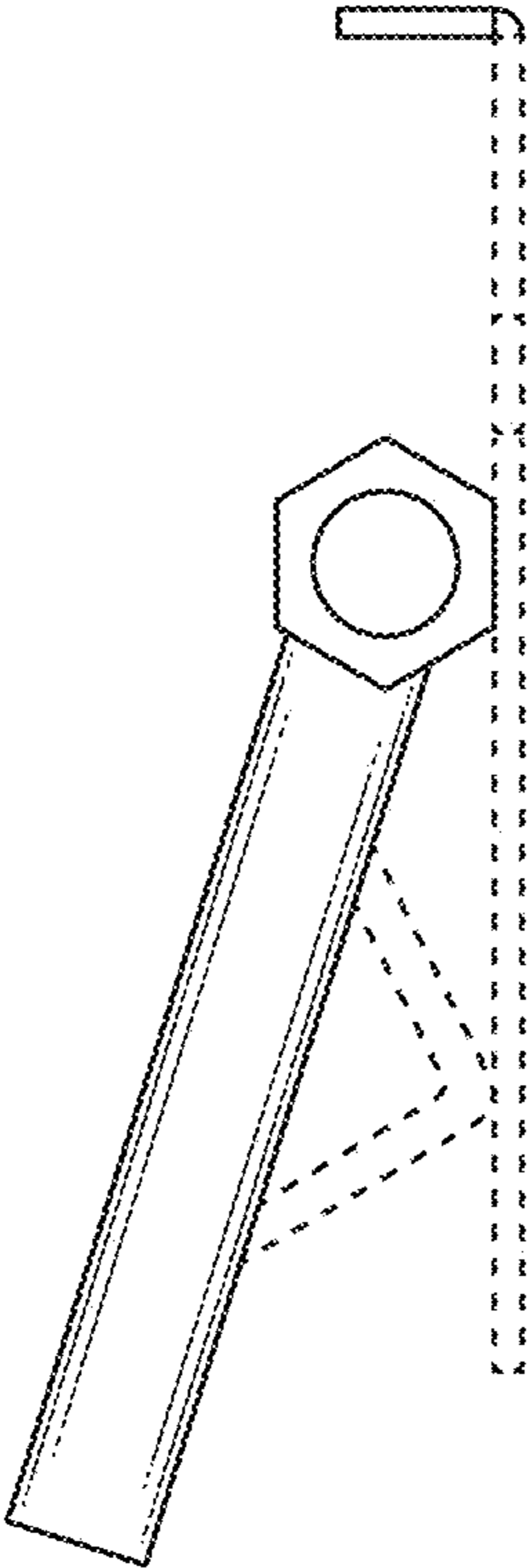


FIG.13

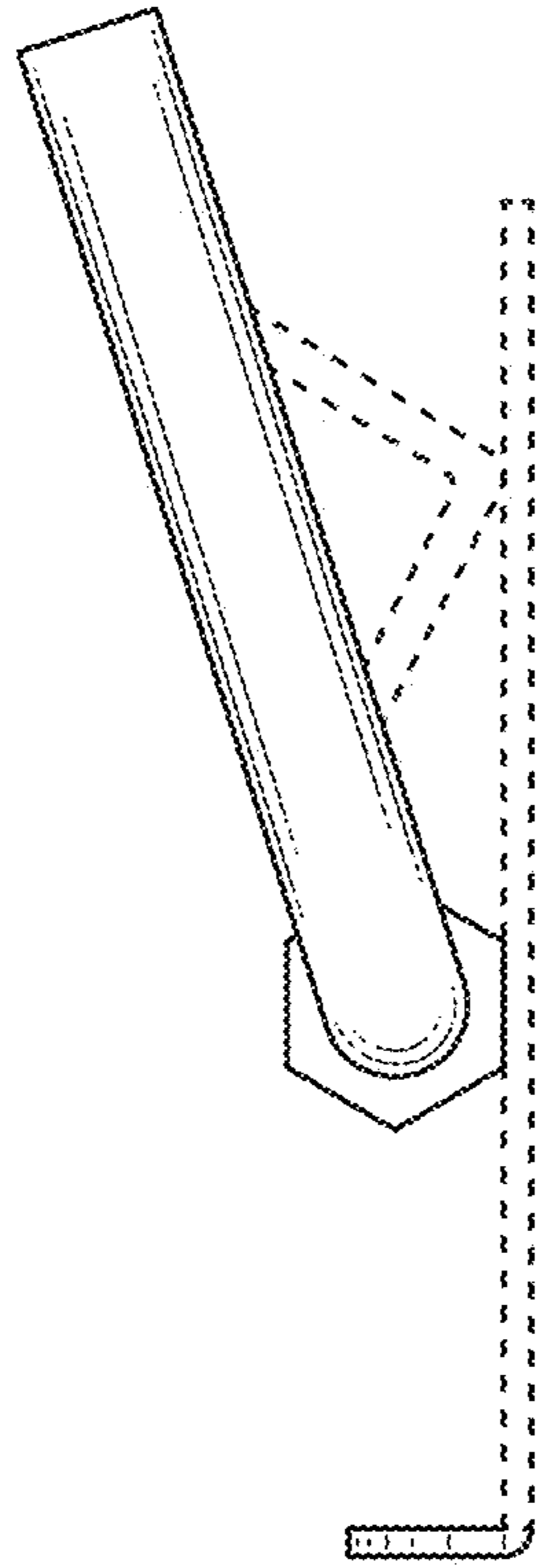


FIG.14

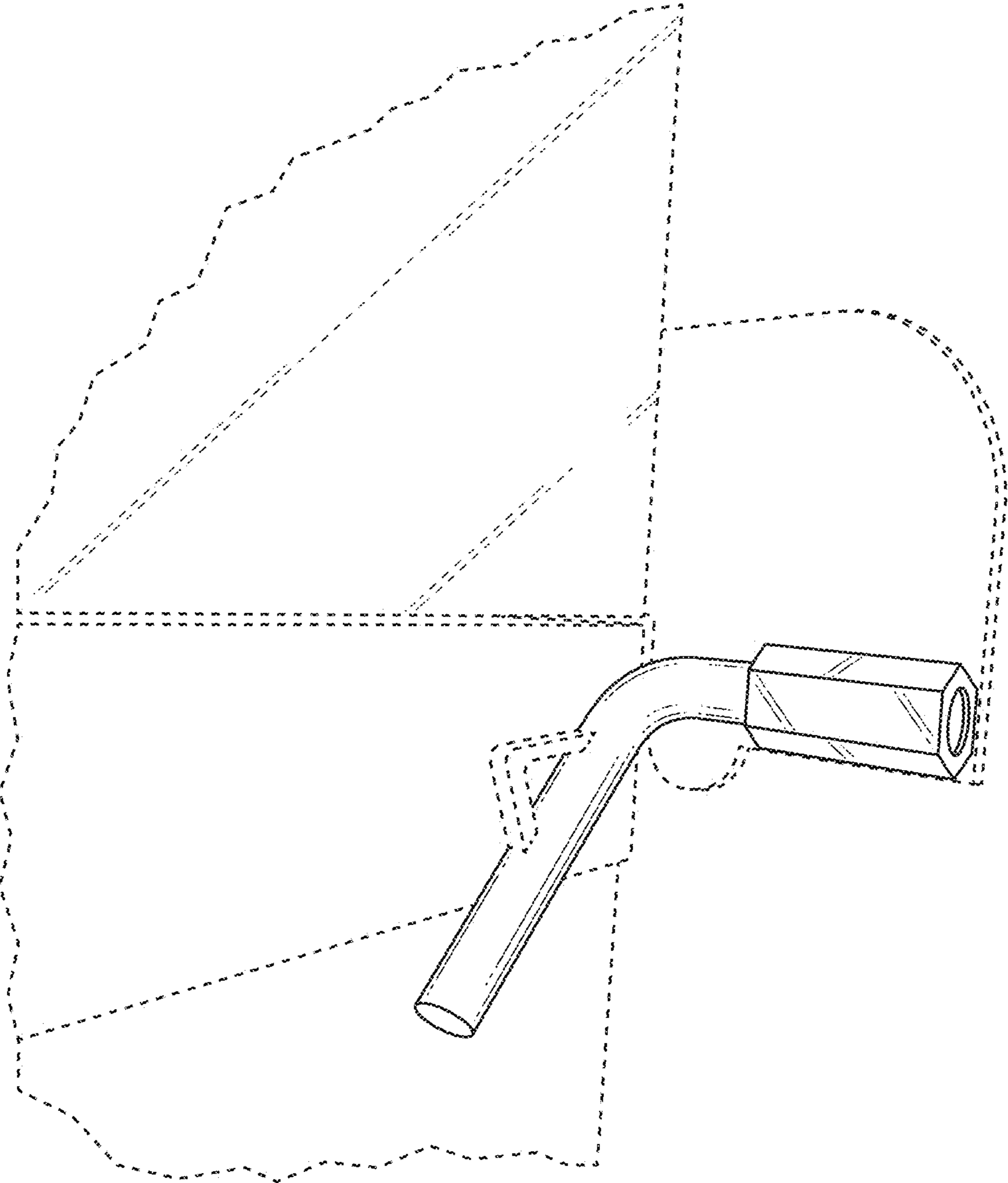


FIG.15

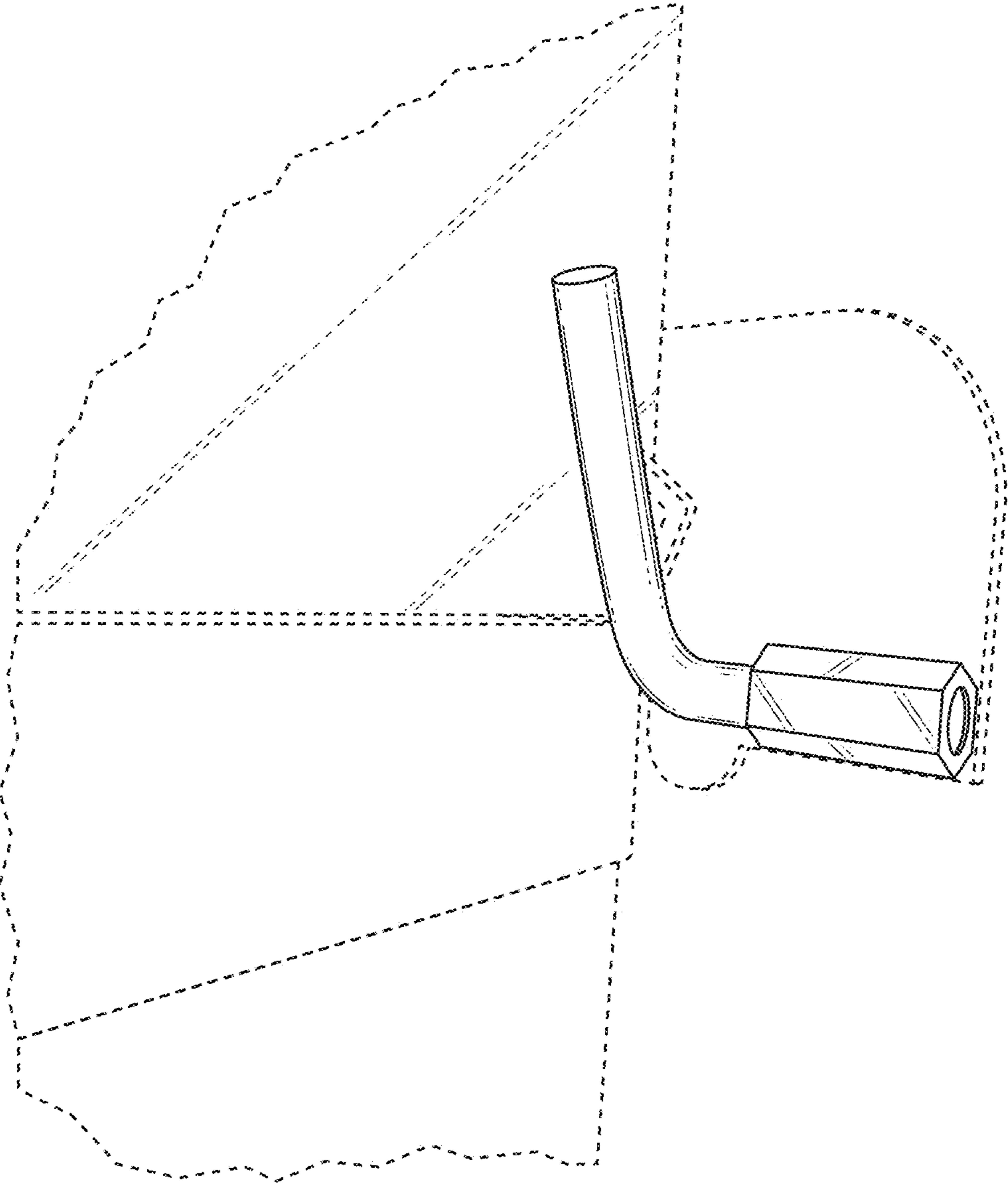


FIG.16

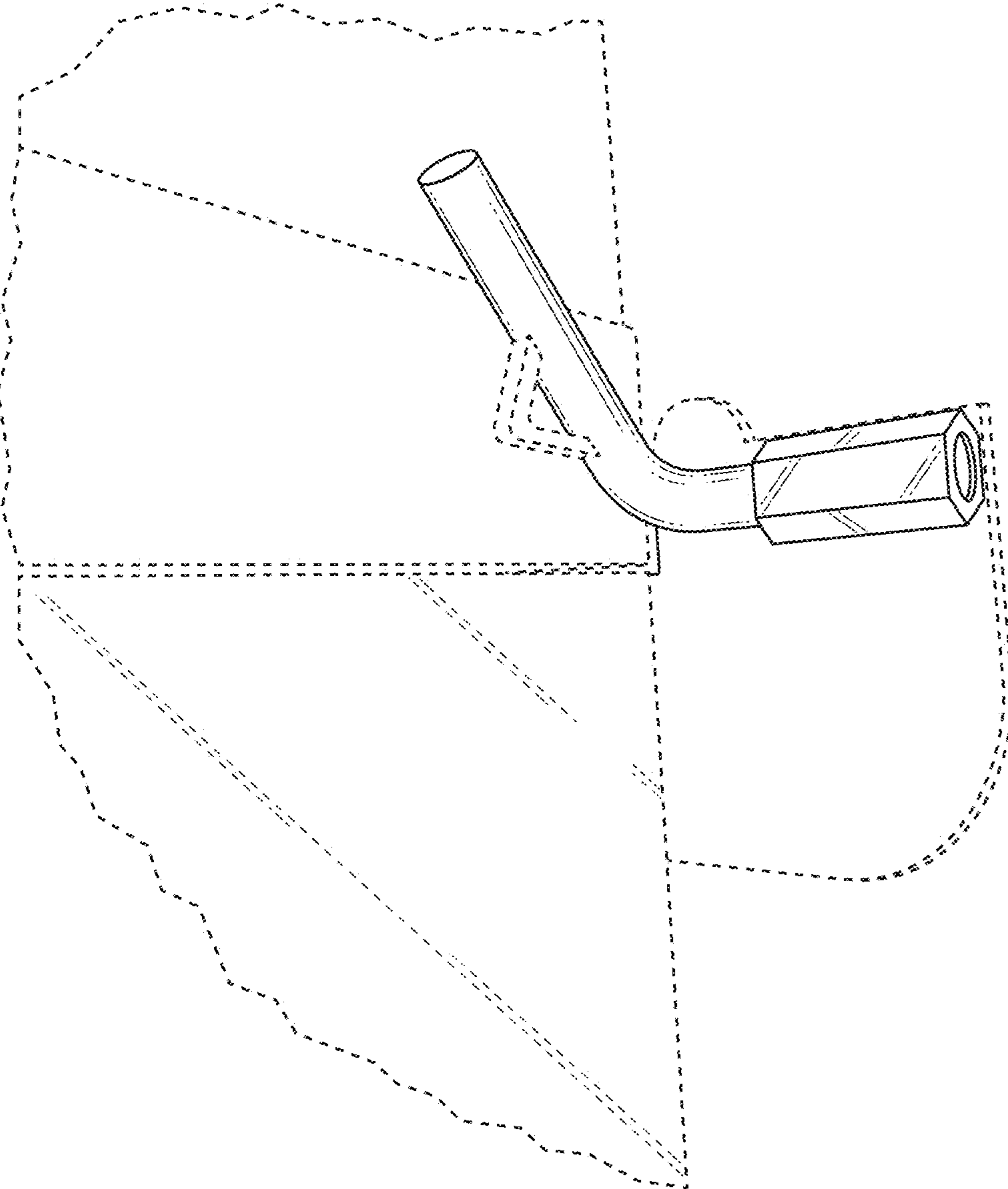


FIG.17

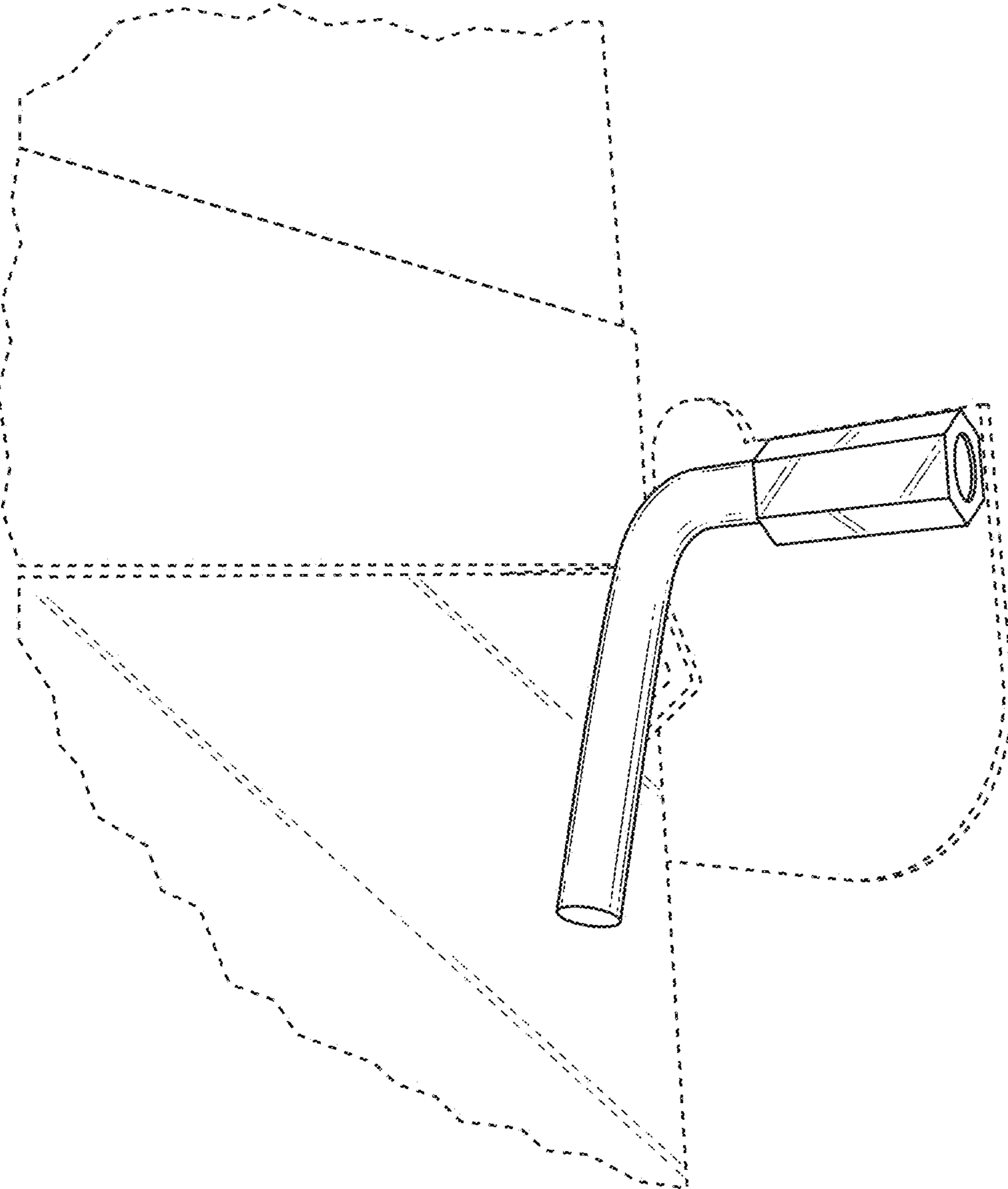


FIG.18