

US00D902004S

(12) **United States Design Patent**
Shin

(10) **Patent No.:** **US D902,004 S**

(45) **Date of Patent:** **** Nov. 17, 2020**

(54) **DIGITAL DOOR LOCK**

(71) Applicant: **IMGATE, Inc.**, Seongnam-si (KR)

(72) Inventor: **Chang Hoon Shin**, Seongnam-si (KR)

(73) Assignee: **IMGATE, INC.**, Seongnam-si (KR)

(**) Term: **15 Years**

(21) Appl. No.: **29/659,928**

(22) Filed: **Aug. 14, 2018**

(30) **Foreign Application Priority Data**

Jul. 11, 2018 (KR) 30-2018-0032043

(51) **LOC (12) Cl.** **08-07**

(52) **U.S. Cl.**
USPC **D8/331**

(58) **Field of Classification Search**
USPC D8/331
CPC E05B 13/001; E05B 13/103; E05B 13/105;
E05B 65/06; E05B 65/00; E05B 9/06;
E05B 9/08; E05B 61/00
See application file for complete search history.

(56) **References Cited**

U.S. PATENT DOCUMENTS

D696,095 S * 12/2013 Kim D8/331
D735,016 S * 7/2015 Kim D8/331

9,528,299 B2 * 12/2016 Yoon E05B 47/00
D837,032 S * 1/2019 Cavanna D8/331
10,347,064 B2 * 7/2019 Kim G07C 9/00309
10,400,479 B2 * 9/2019 Kang E05C 1/12
10,443,264 B1 * 10/2019 Son E05B 9/08
10,508,473 B2 * 12/2019 Pietrow E05B 49/00
D883,068 S * 5/2020 Guo D8/331

* cited by examiner

Primary Examiner — Doris Clark

(74) *Attorney, Agent, or Firm* — Rabin & Berdo, P.C.

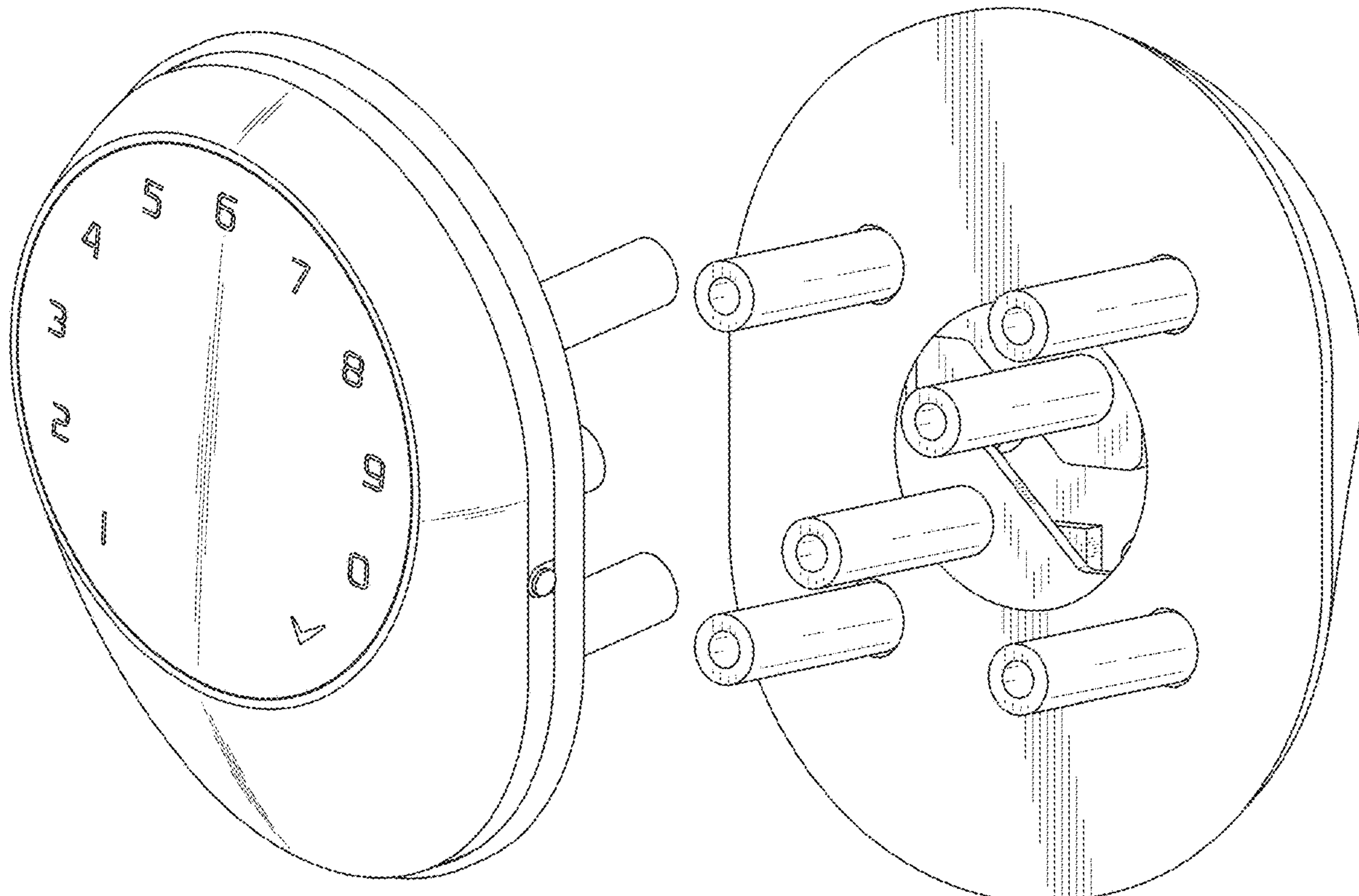
(57) **CLAIM**

The ornamental design for a digital door lock, as shown and described.

DESCRIPTION

FIG. 1 is a perspective view of a digital door lock;
FIG. 2 is a rear perspective view thereof;
FIG. 3 is a front elevational view thereof;
FIG. 4 is a rear elevational view thereof;
FIG. 5 is a left side elevational view thereof;
FIG. 6 is a right side elevational view thereof;
FIG. 7 is a top plan view thereof; and,
FIG. 8 is a bottom plan view thereof.

1 Claim, 7 Drawing Sheets



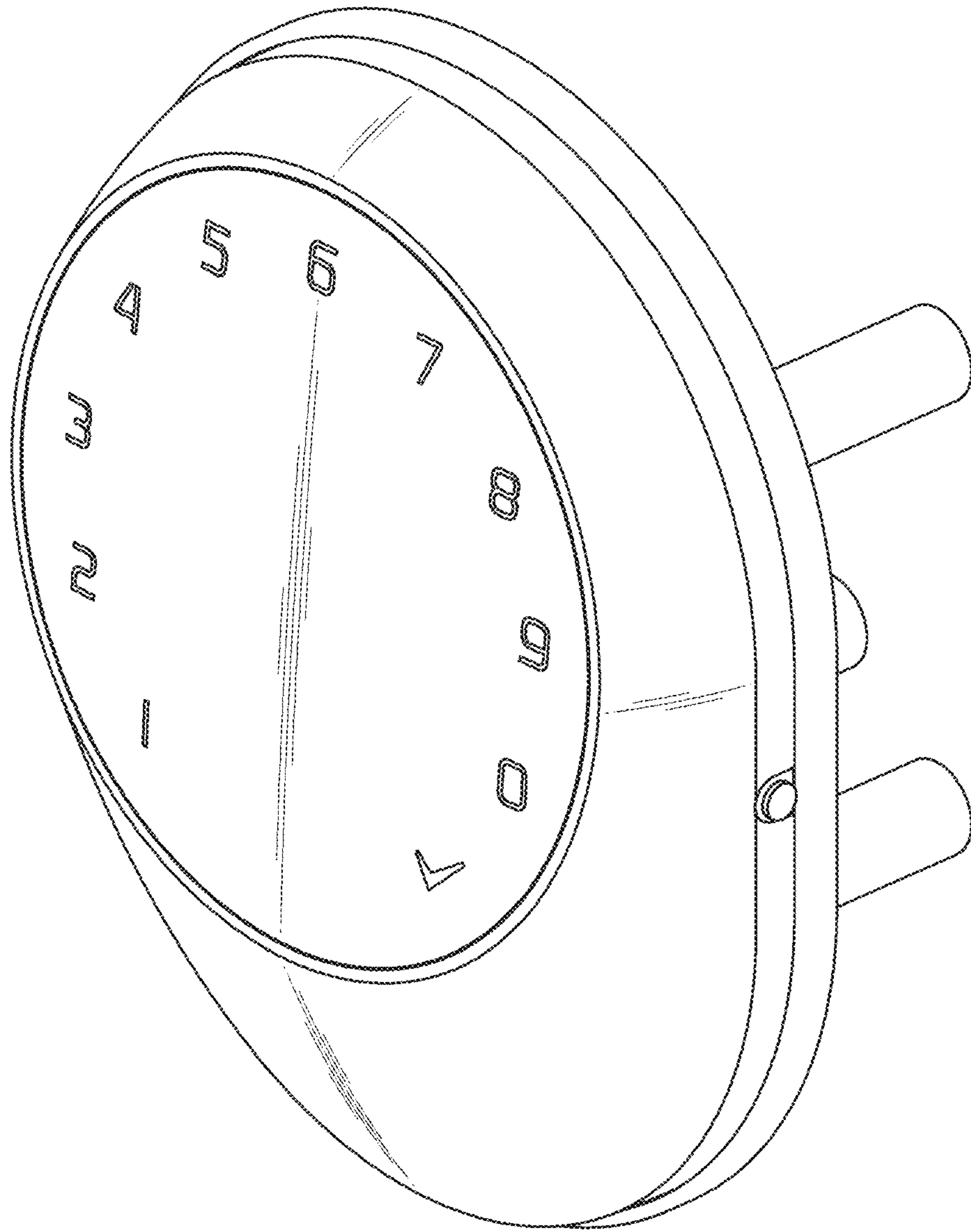


FIG. 1

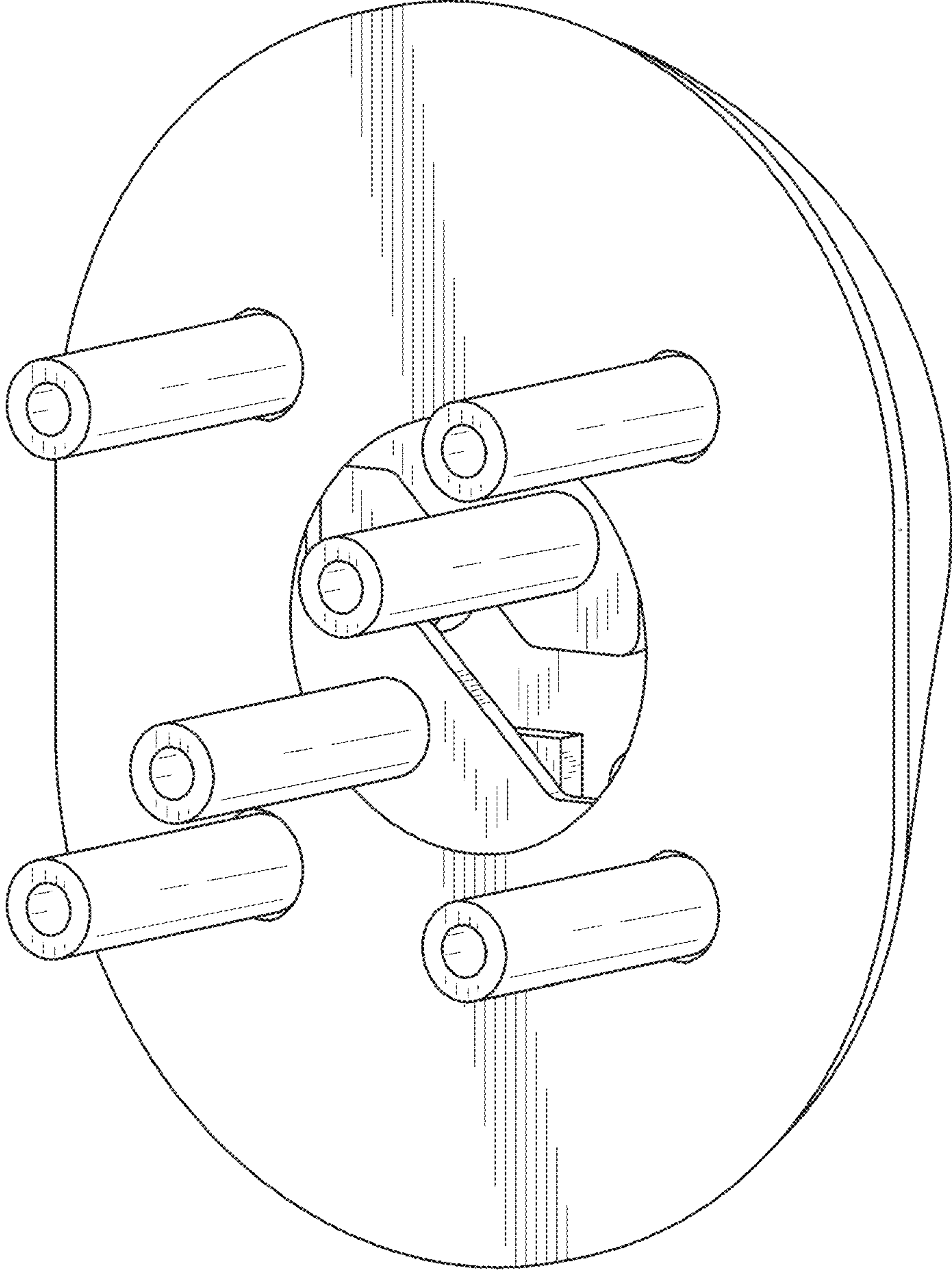


FIG. 2

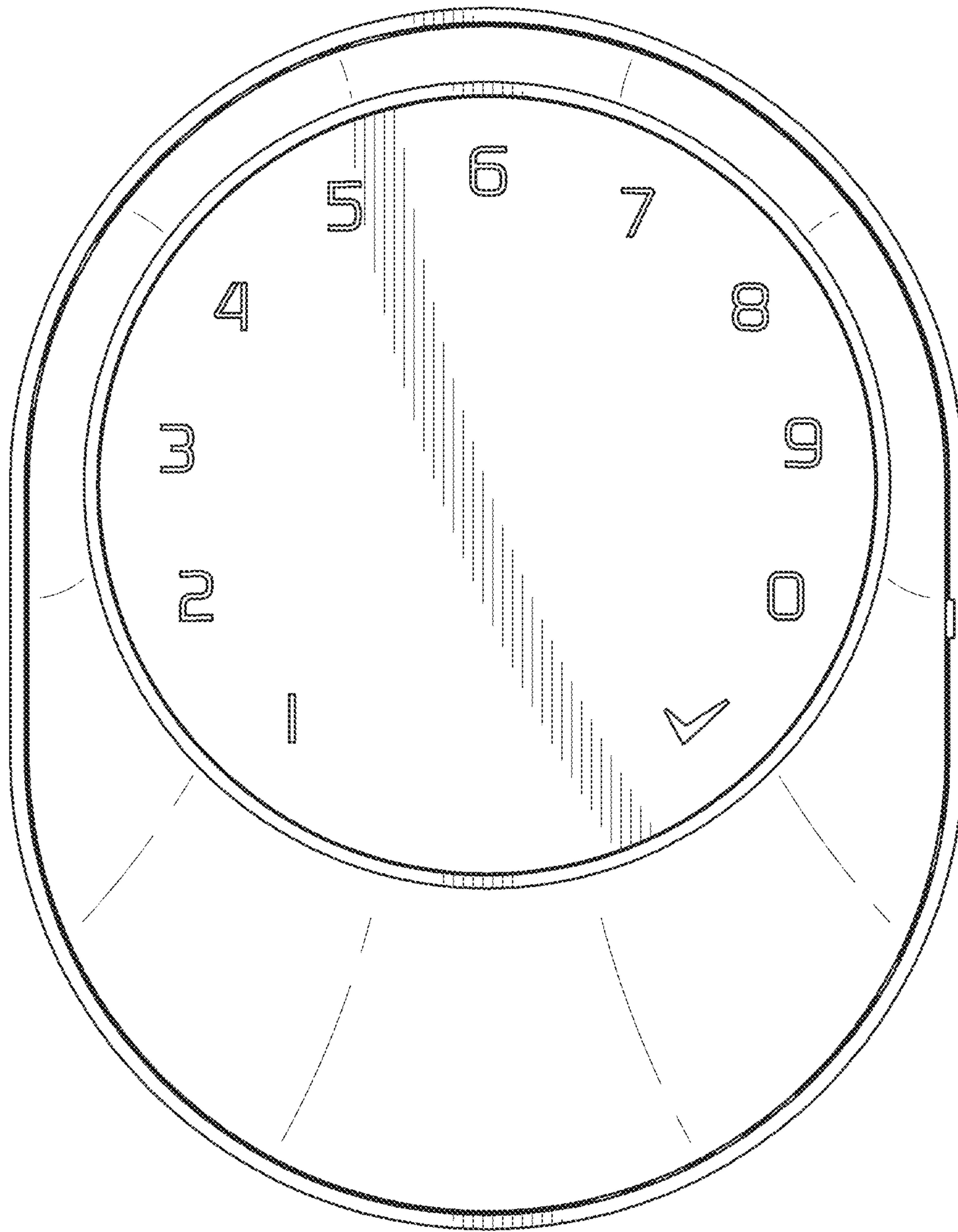


FIG. 3

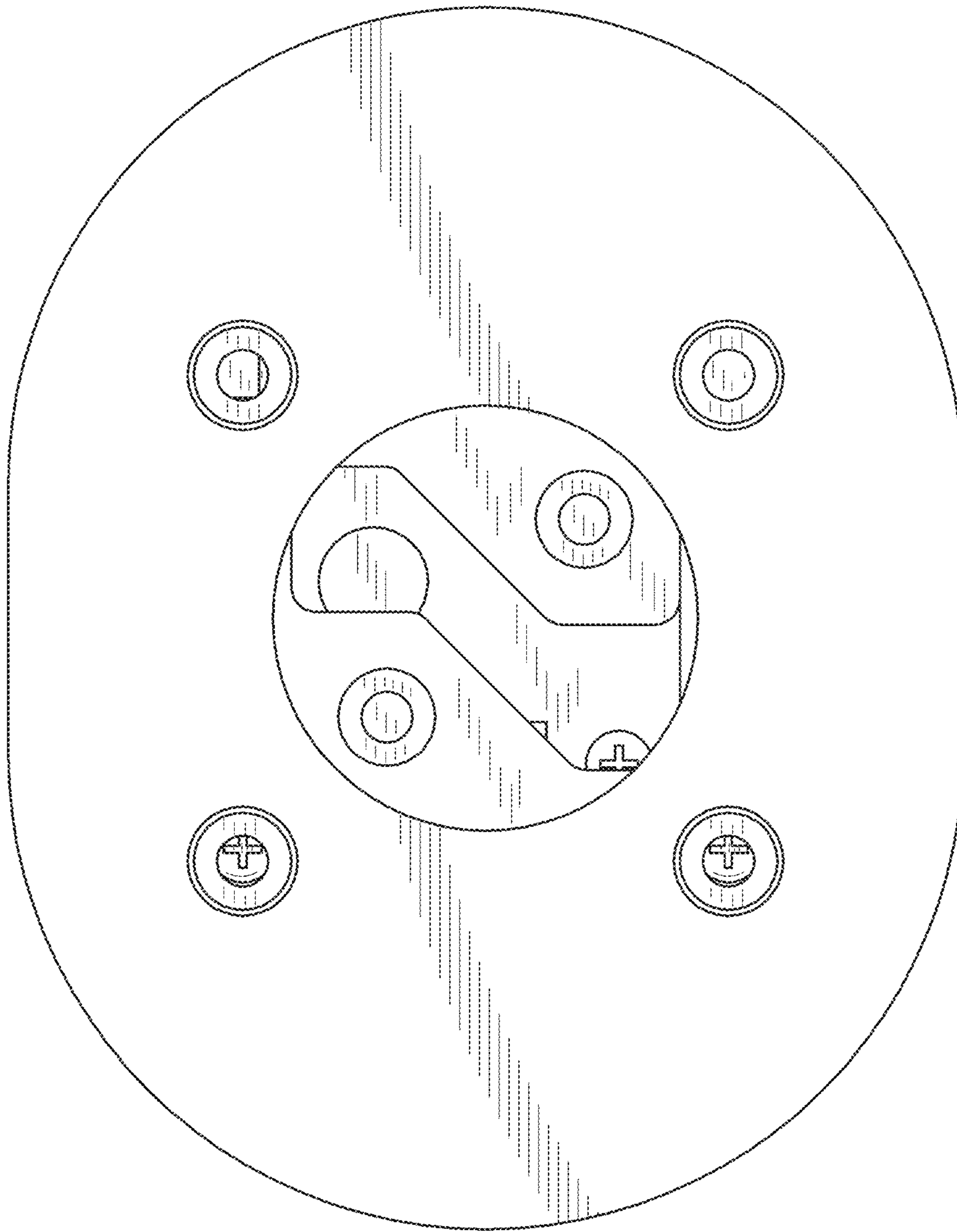


FIG. 4

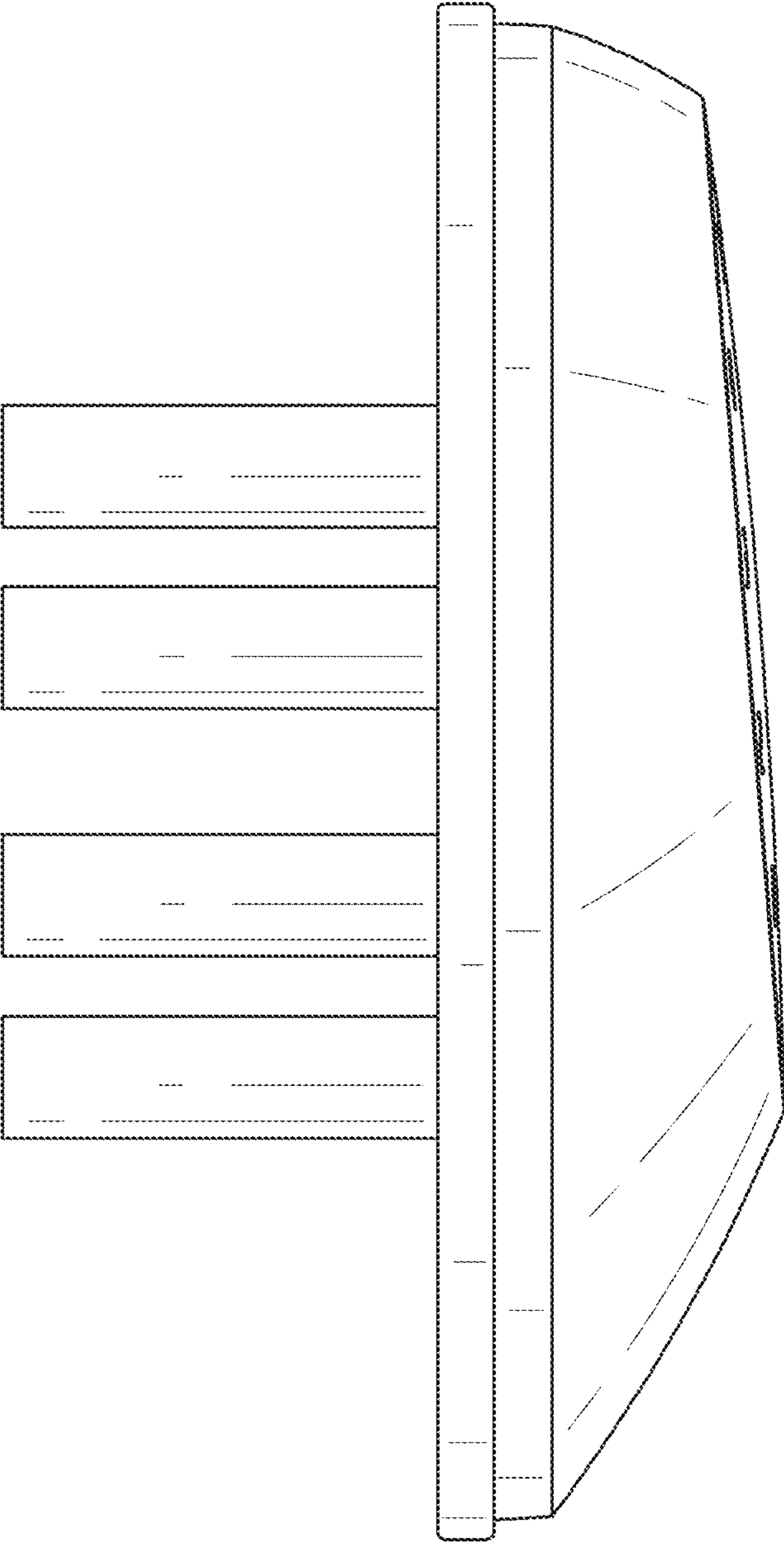


FIG. 5

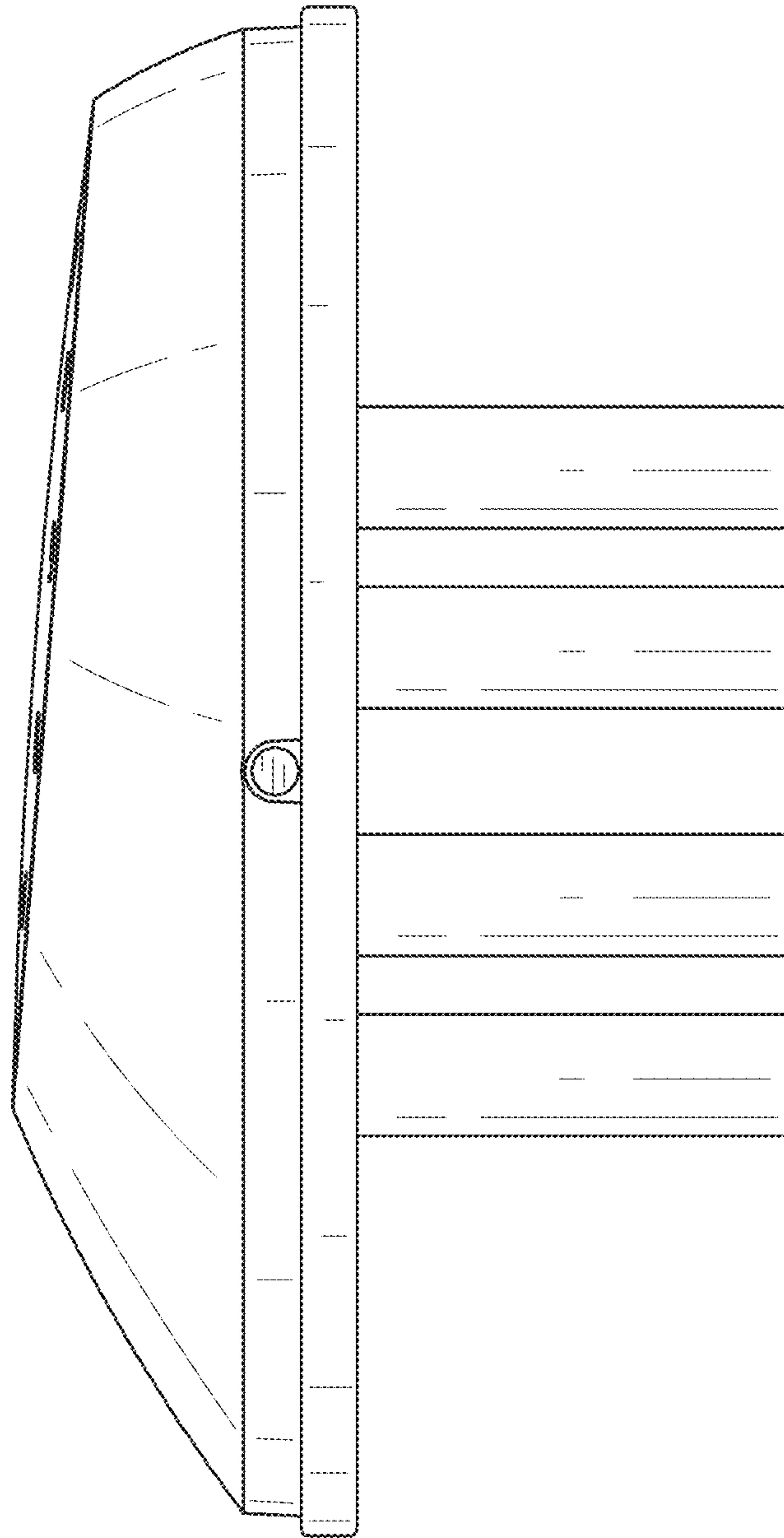


FIG. 6

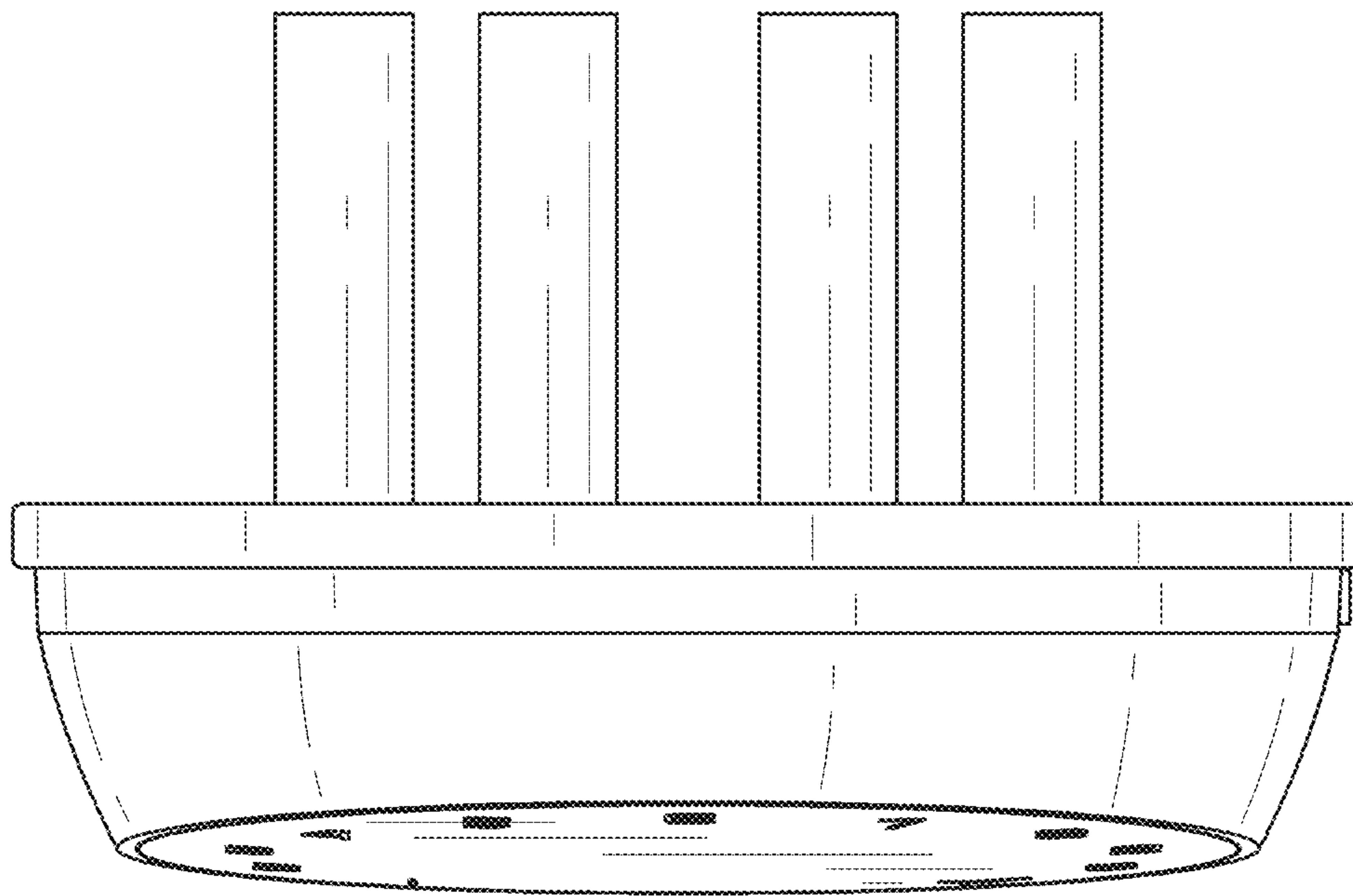


FIG. 7

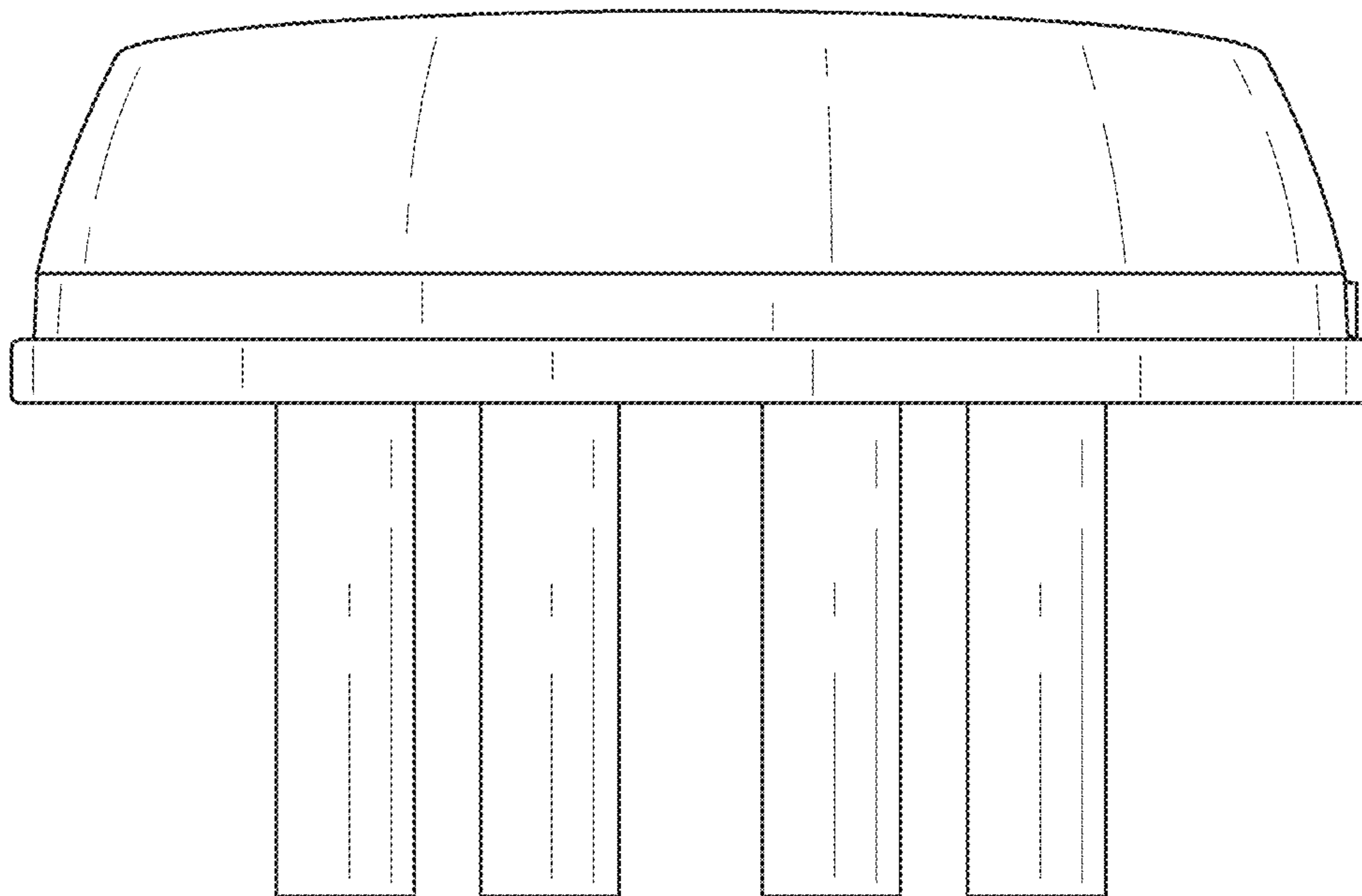


FIG. 8