



US00D902000S

(12) **United States Design Patent** (10) **Patent No.:** **US D902,000 S**
Coughenour, Jr. (45) **Date of Patent:** **** Nov. 17, 2020**

(54) **DRYWALL SANDING SPONGE**
(71) Applicant: **John E. Coughenour, Jr.**, Springville, NY (US)
(72) Inventor: **John E. Coughenour, Jr.**, Springville, NY (US)
(**) Term: **15 Years**
(21) Appl. No.: **29/685,117**
(22) Filed: **Mar. 26, 2019**
(51) **LOC (12) Cl.** **08-05**
(52) **U.S. Cl.**
USPC **D8/90**
(58) **Field of Classification Search**
USPC D8/14, 90; D32/40; D21/491, 499; D25/113
CPC B24B 55/00; B24B 55/10; B24B 55/105; B24B 15/04; B24B 15/00; B24B 15/02; B24B 15/023
See application file for complete search history.

7,996,950 B2 * 8/2011 Armaly, Jr. A47L 13/12 15/244.3
8,388,419 B2 * 3/2013 Koenig, Jr. B24D 15/02 451/461
8,505,150 B2 * 8/2013 Armaly, Jr. A47L 13/16 15/244.3
8,684,792 B2 4/2014 Rocha
2007/0298698 A1 * 12/2007 Ali B24D 15/04 451/523
2009/0104864 A1 4/2009 Annis
(Continued)

Primary Examiner — Philip S Hyder
(74) *Attorney, Agent, or Firm* — Boudwin Intellectual Property; Daniel Boudwin

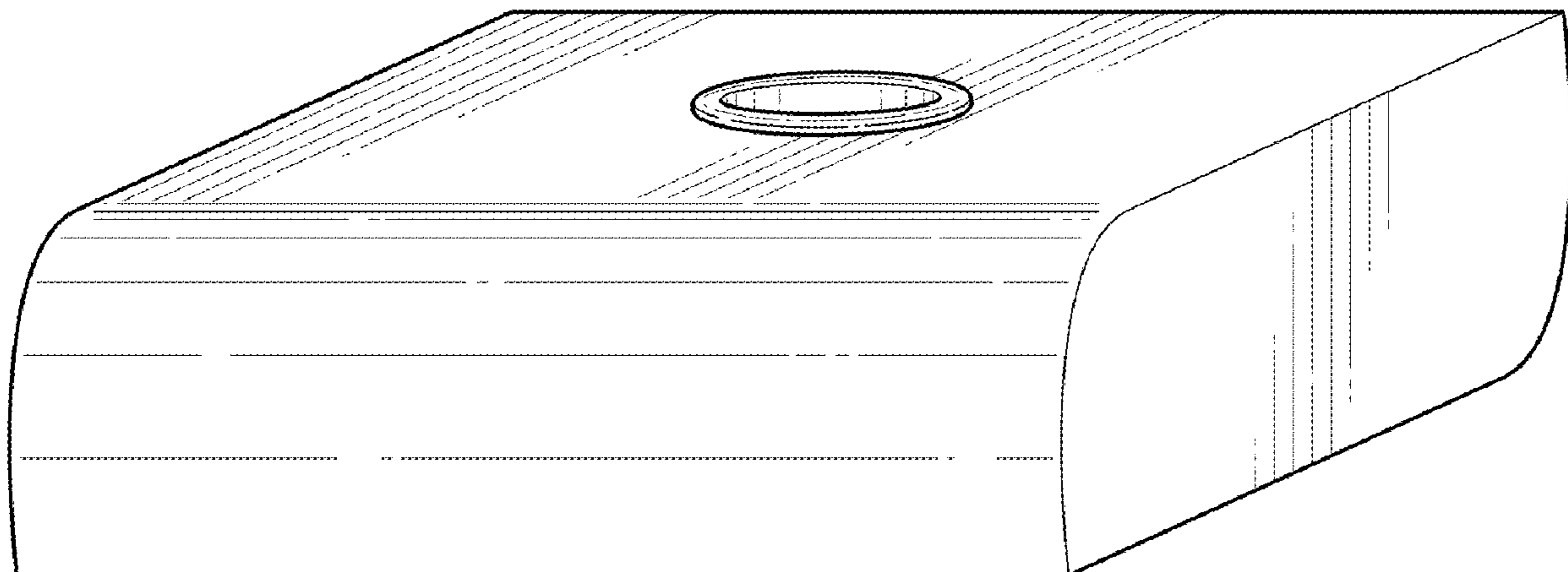
(57) **CLAIM**

The ornamental design for a drywall sanding sponge, as shown and described.

DESCRIPTION

FIG. 1 depicts a perspective view of the drywall sanding sponge.
FIG. 2 depicts a front elevation view of the drywall sanding sponge.
FIG. 3 depicts a rear elevation view of the drywall sanding sponge.
FIG. 4 depicts a left elevation view of the drywall sanding sponge.
FIG. 5 depicts a right elevation view of the drywall sanding sponge.
FIG. 6 depicts a top plan view of the drywall sanding sponge; and,
FIG. 7 depicts a bottom plan view of the drywall sanding sponge.
The shade lines in the Figures show contour and not surface ornamentation.
The broken lines in the Figures form no part of the claimed design.

1 Claim, 4 Drawing Sheets



(56)

References Cited

U.S. PATENT DOCUMENTS

2012/0289135 A1 11/2012 Ali et al.
2013/0309948 A1 11/2013 Talbot et al.

* cited by examiner

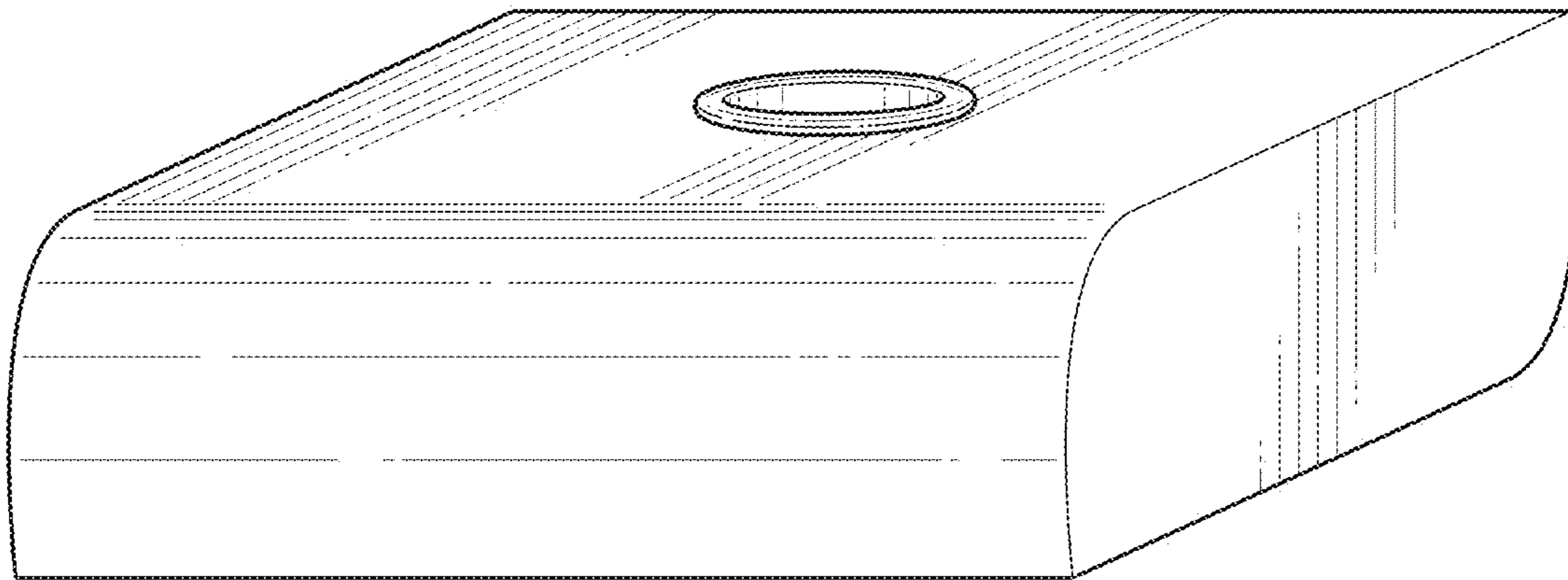


FIG. 1



FIG. 2

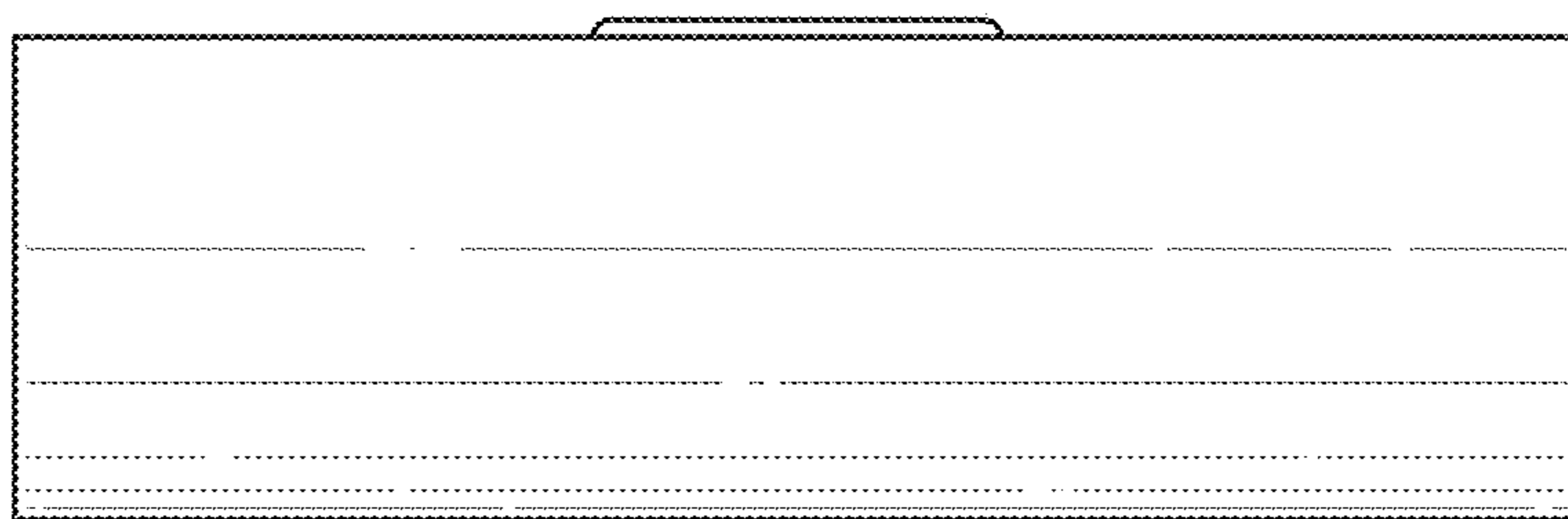


FIG. 3

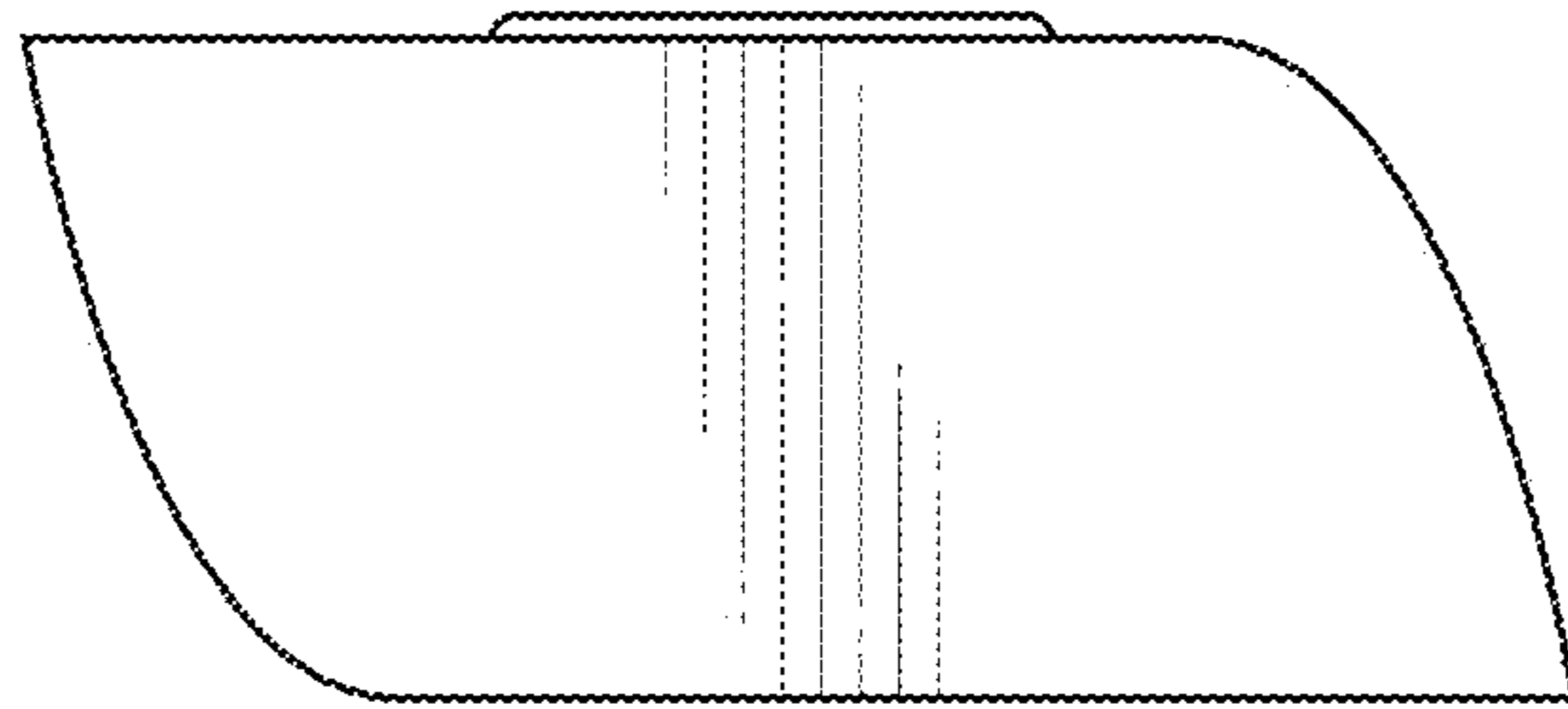


FIG. 4

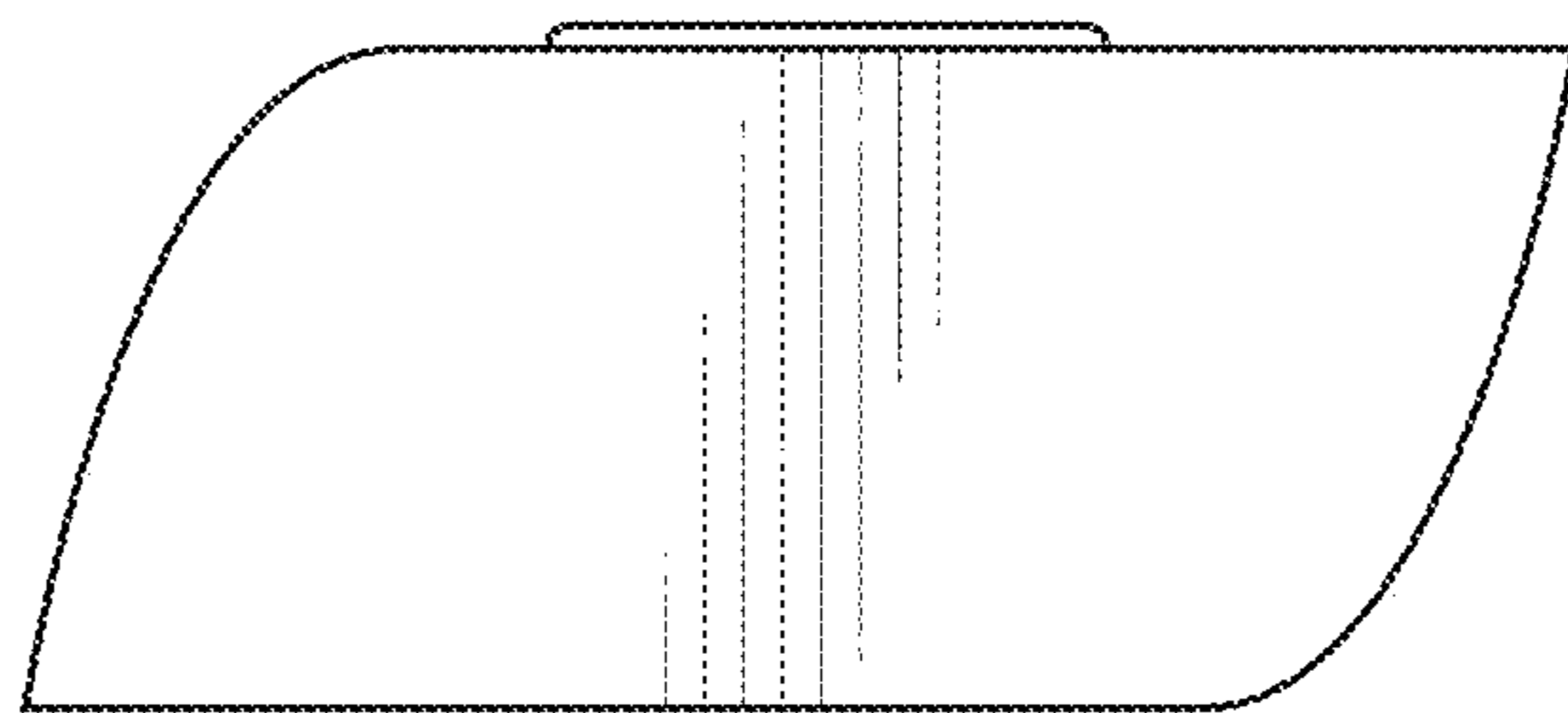


FIG. 5

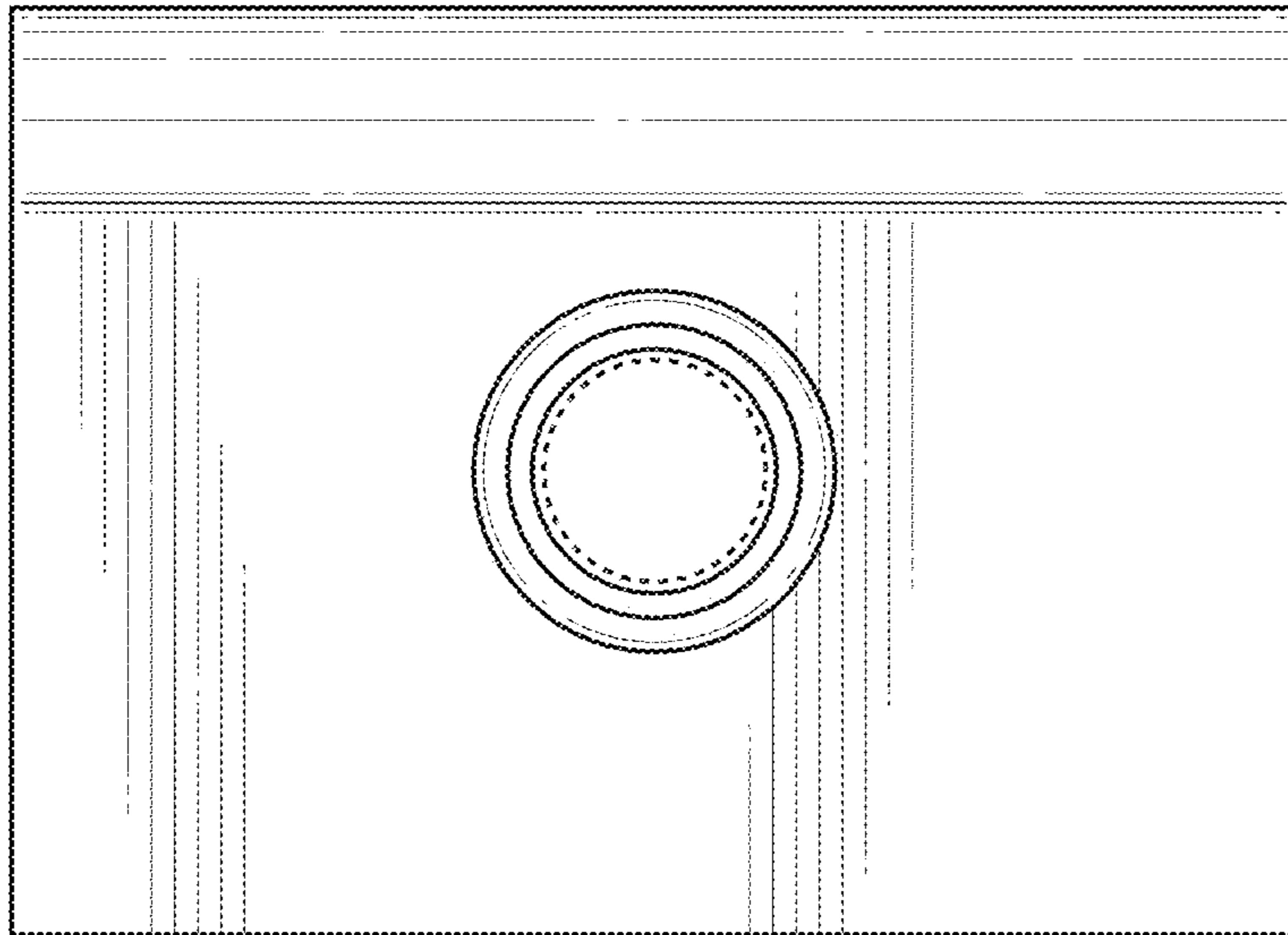


FIG. 6

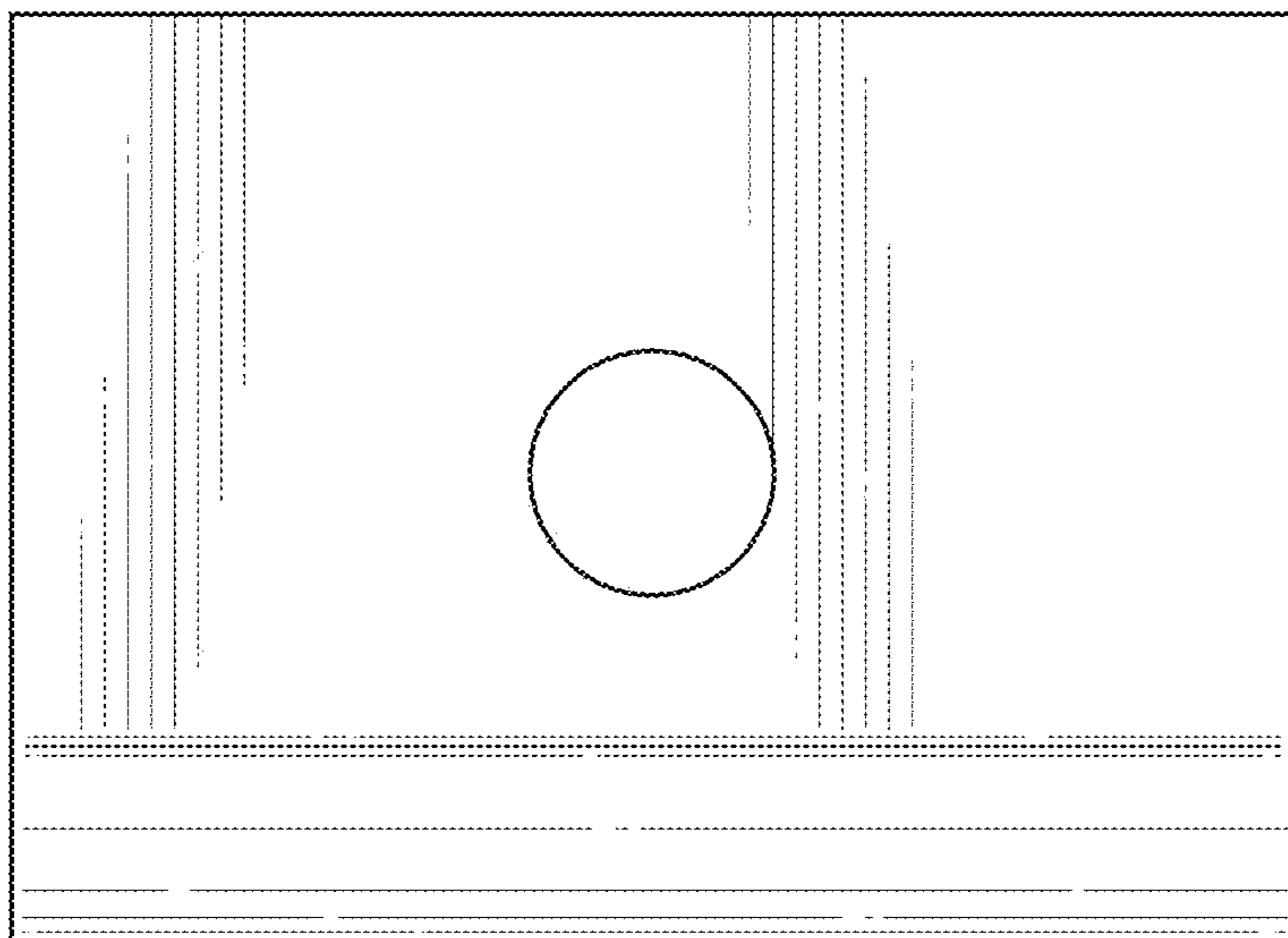


FIG. 7