



US00D901990S

(12) **United States Design Patent**
Pinelli et al.

(10) **Patent No.:** **US D901,990 S**

(45) **Date of Patent:** **** Nov. 17, 2020**

(54) **CONTAINER**

D696,080 S * 12/2013 Joy B65D 25/20
D7/629

(71) Applicant: **Leapfrog Product Development LLC**,
Chicago, IL (US)

D722,832 S * 2/2015 Ra D7/602
8,978,906 B2 3/2015 Feeley et al.

(Continued)

(72) Inventors: **Steven N. Pinelli**, Ogden Dunes, IN
(US); **Kurtis M. Sward**, Anna Maria,
FL (US); **Richard E. Ellison**, Chicago,
IL (US); **Jill Pearson**, Oak Park, IL
(US); **Micaela K. McCabe**, Chicago,
IL (US); **Glen C. Gilmore, III**,
Naperville, IL (US); **Brian M.
Clemens**, Burnsville, MN (US);
Jaswanth C. Gonuguntla, Anantapur
(IN); **Derek J. Leatzow**, Chicago, IL
(US); **Jordan Sward**, Chicago, IL (US)

OTHER PUBLICATIONS

Amazon, "purifyou 32/22 / 12 oz Premium Glass Water Bottle with
Time Marker and Thick Silicone Sleeve | Big 1 Liter or Kids Size,
Insulated", First reviewed Jun. 5, 2015. (<https://www.amazon.com/purifyou-Premium-Non-Slip-Silicone-Stainless/dp/B01FQF3O60>)
(Year: 2015).*

(Continued)

Primary Examiner — April Rivas

(74) *Attorney, Agent, or Firm* — Barnes & Thornburg
LLP

(73) Assignee: **Leapfrog Product Development LLC**,
Chicago, IL (US)

(**) Term: **15 Years**

(57) **CLAIM**

We claim the ornamental design for a container, as shown
and described.

(21) Appl. No.: **29/692,816**

(22) Filed: **May 29, 2019**

DESCRIPTION

(51) **LOC (12) Cl.** **07-01**

(52) **U.S. Cl.**
USPC **D7/629**; D3/302

(58) **Field of Classification Search**
USPC D3/272, 273, 276, 279, 282, 294, 298,
D3/905, 262, 302; D7/602, 629
CPC . B25H 3/02; B65D 1/24; B65D 25/06; B65D
25/20
See application file for complete search history.

FIG. 1 is a top perspective view of the container according
to the new design.

FIG. 2 is a bottom perspective view of the container shown
in FIG. 1.

FIG. 3 is a left side elevation view of the container shown
in FIG. 1.

FIG. 4 is a right side elevation view of the container shown
in FIG. 1.

FIG. 5 is a front elevation view of the container shown in
FIG. 1.

FIG. 6 is a rear elevation view of the container shown in
FIG. 1.

FIG. 7 is a top plan view of the container shown in FIG. 1;
and,

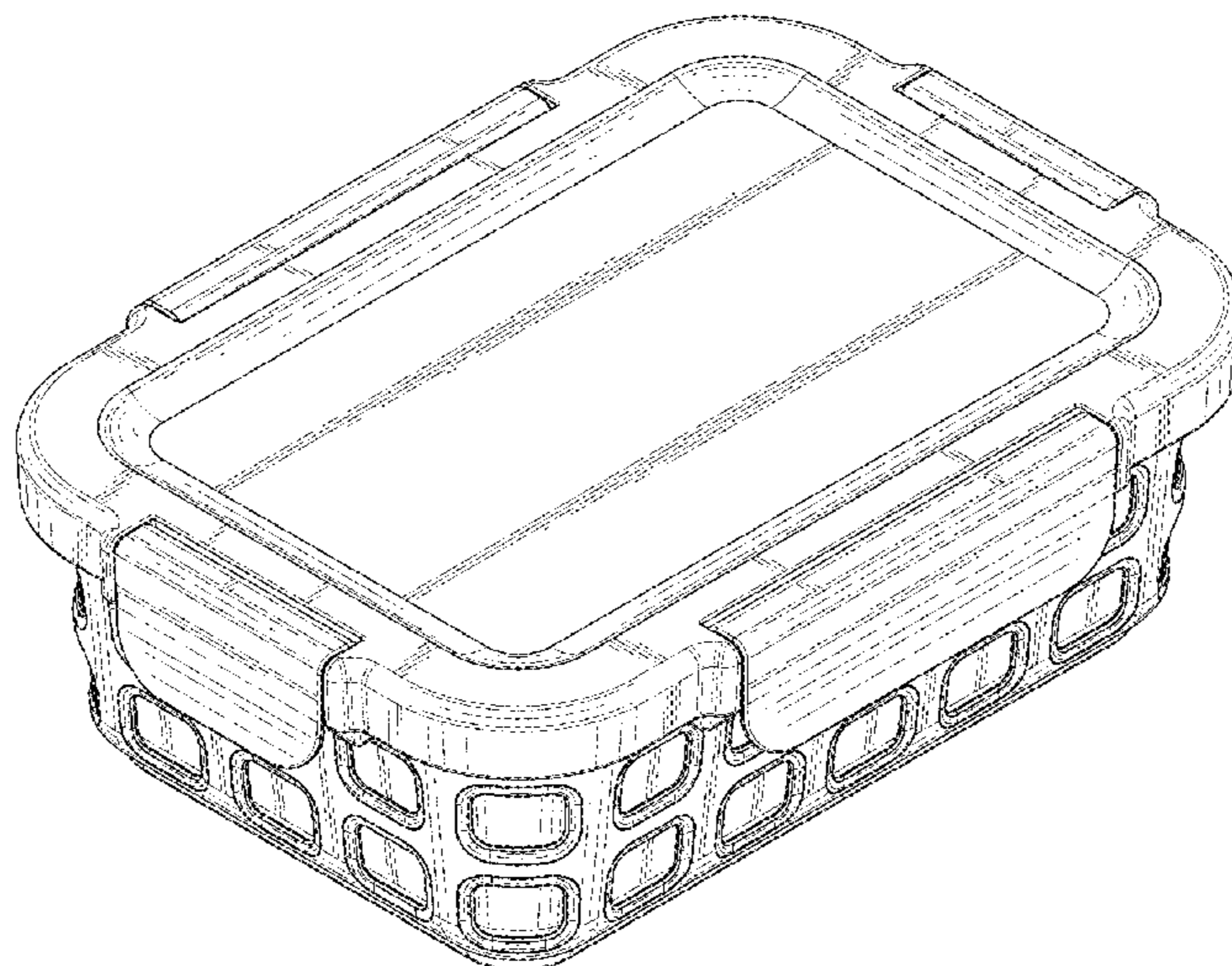
FIG. 8 is a bottom plan view of the container shown in FIG.
1.

(56) **References Cited**

U.S. PATENT DOCUMENTS

D262,839 S * 2/1982 Daenen D3/302
D452,374 S * 12/2001 Kim D3/302
D489,530 S * 5/2004 Lindsay D3/273
D503,042 S * 3/2005 Gutierrez D3/273
D691,891 S * 10/2013 Joy D7/629
8,579,133 B2 11/2013 Marcus et al.

1 Claim, 8 Drawing Sheets



(56)

References Cited

U.S. PATENT DOCUMENTS

9,266,643 B2 2/2016 Marcus et al.
9,848,753 B2* 12/2017 Chan B65D 25/06

OTHER PUBLICATIONS

Amazon, "Elio Duraglass Glass Food Storage Meal Prep Containers . . .", first on sale May 24, 2019. (<https://www.amazon.com/Ello-Duraglass-10-Piece-Storage-Containers/dp/B07SBGSYMJ/>) (Year: 2019).*

Glasslock Product (2 pages).

Pyrex Snapware Product (5 pages).

Rubbermaid Tritan Container (5 pages).

Sistema Container (3 pages).

* cited by examiner

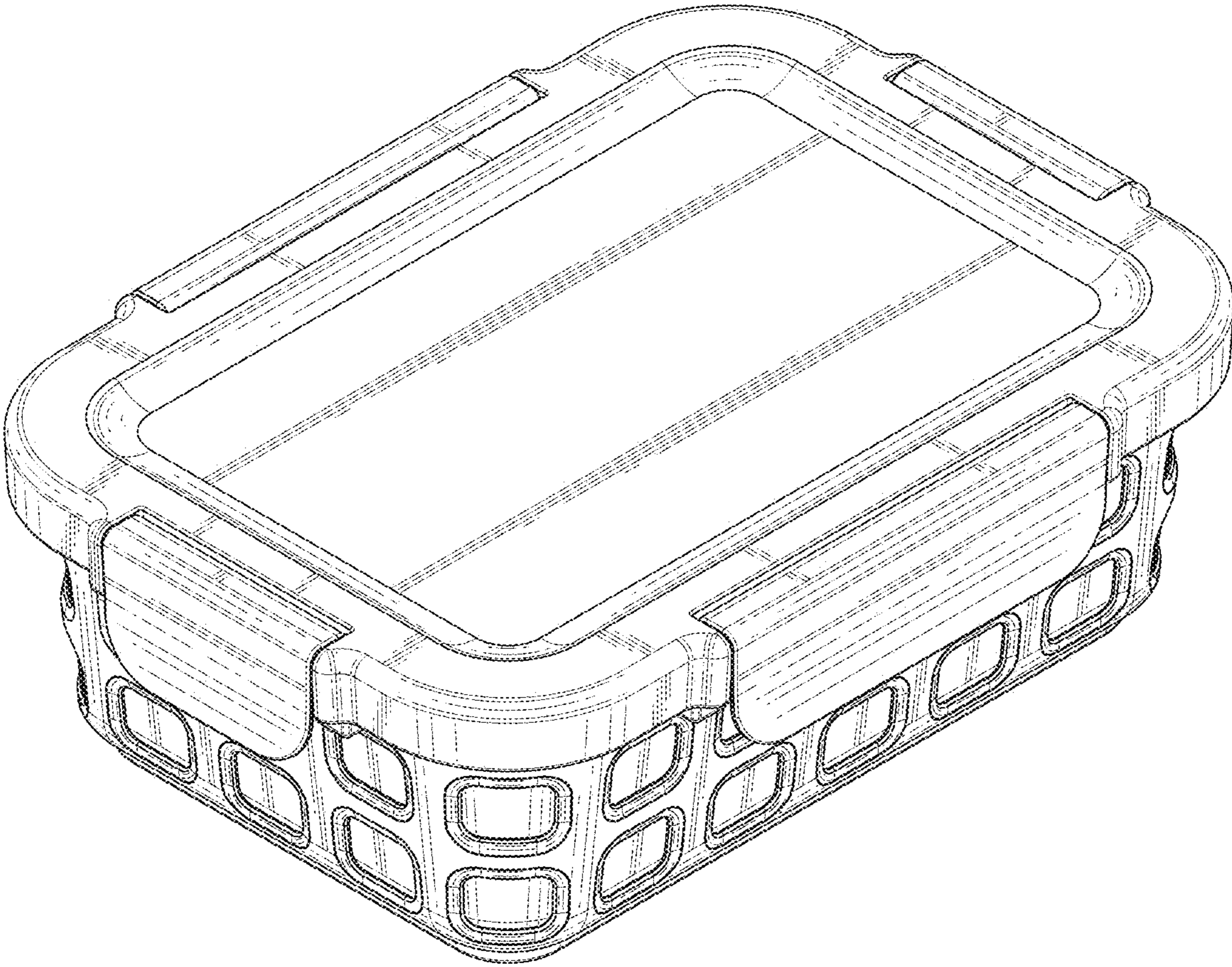


FIG. 1

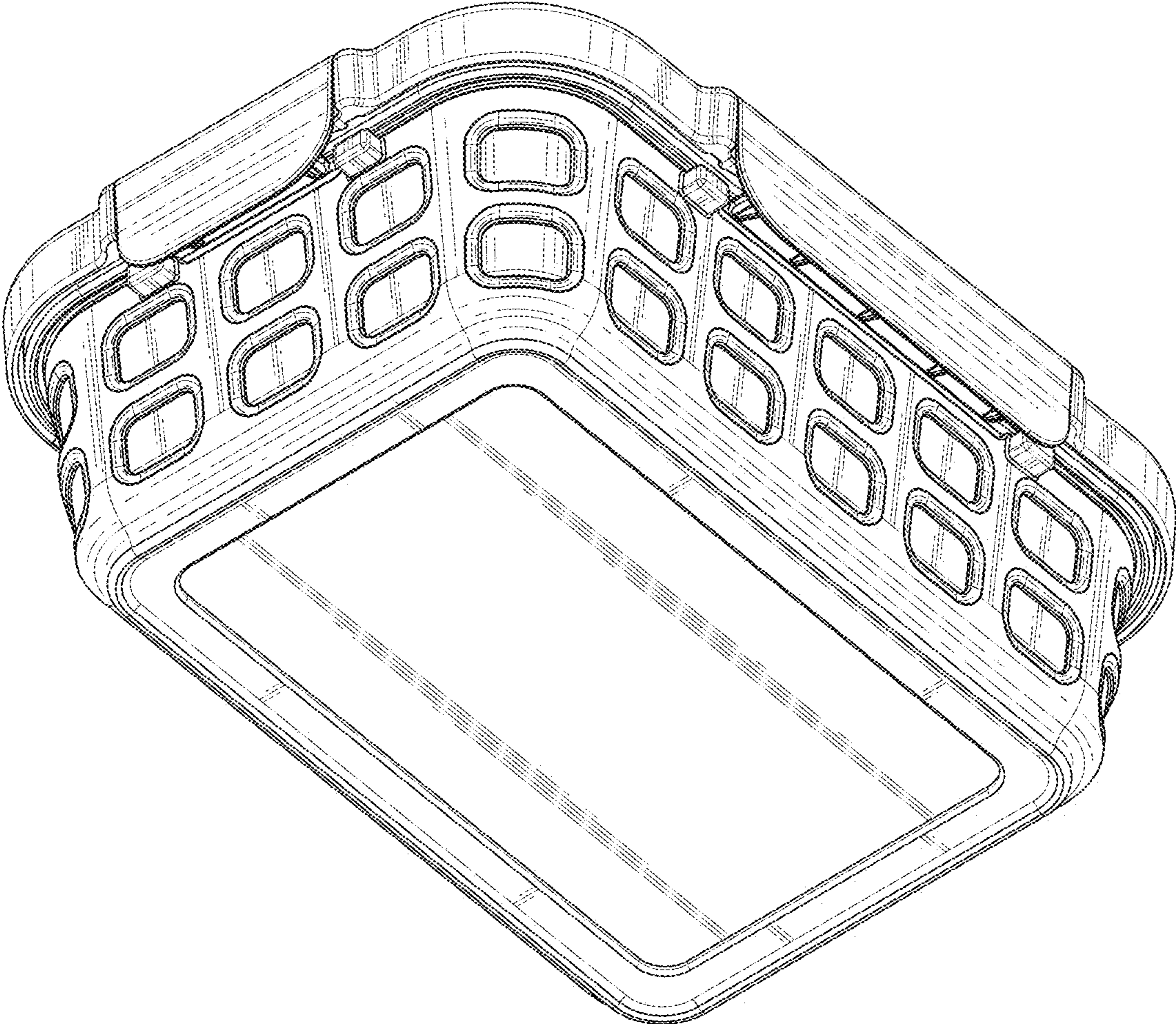


FIG. 2

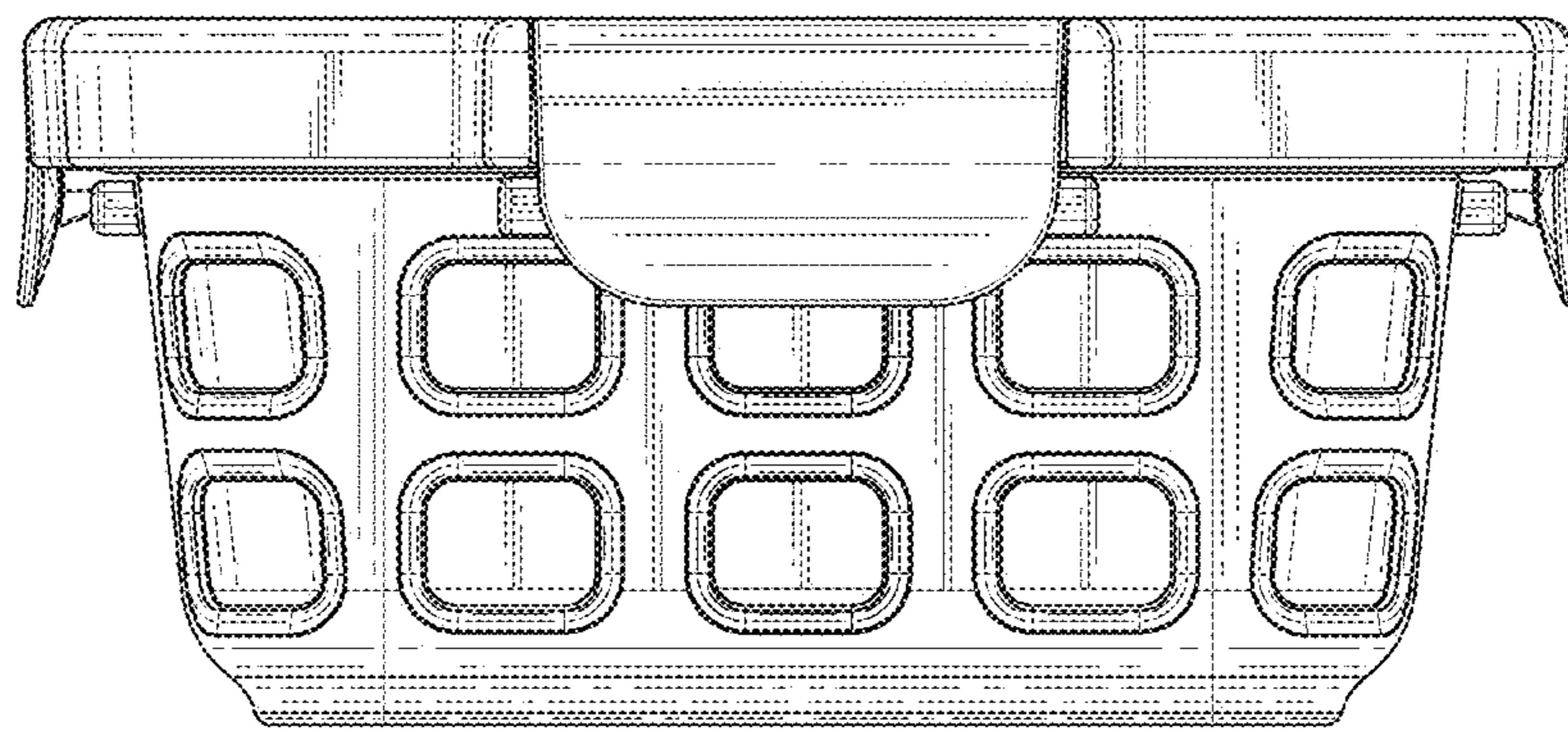


FIG. 3

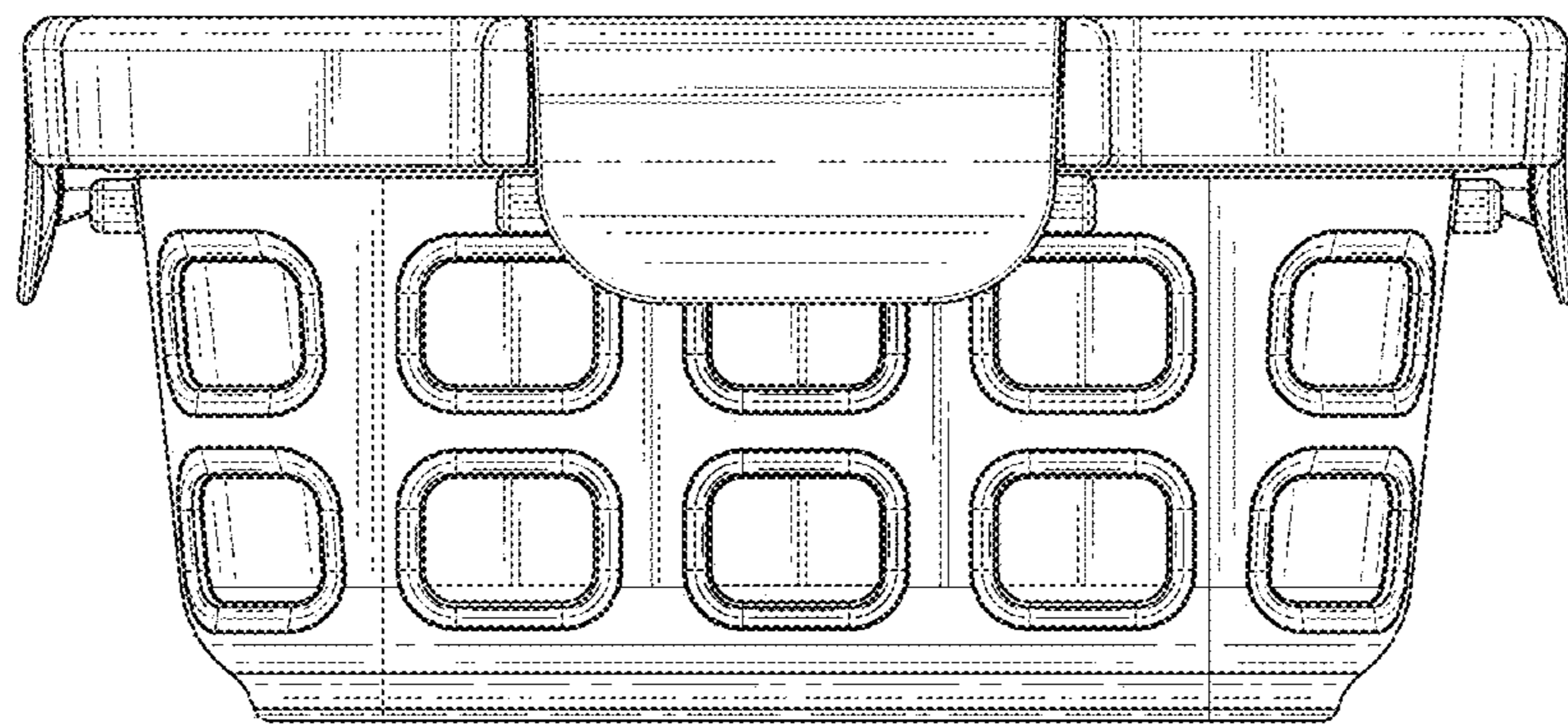


FIG. 4

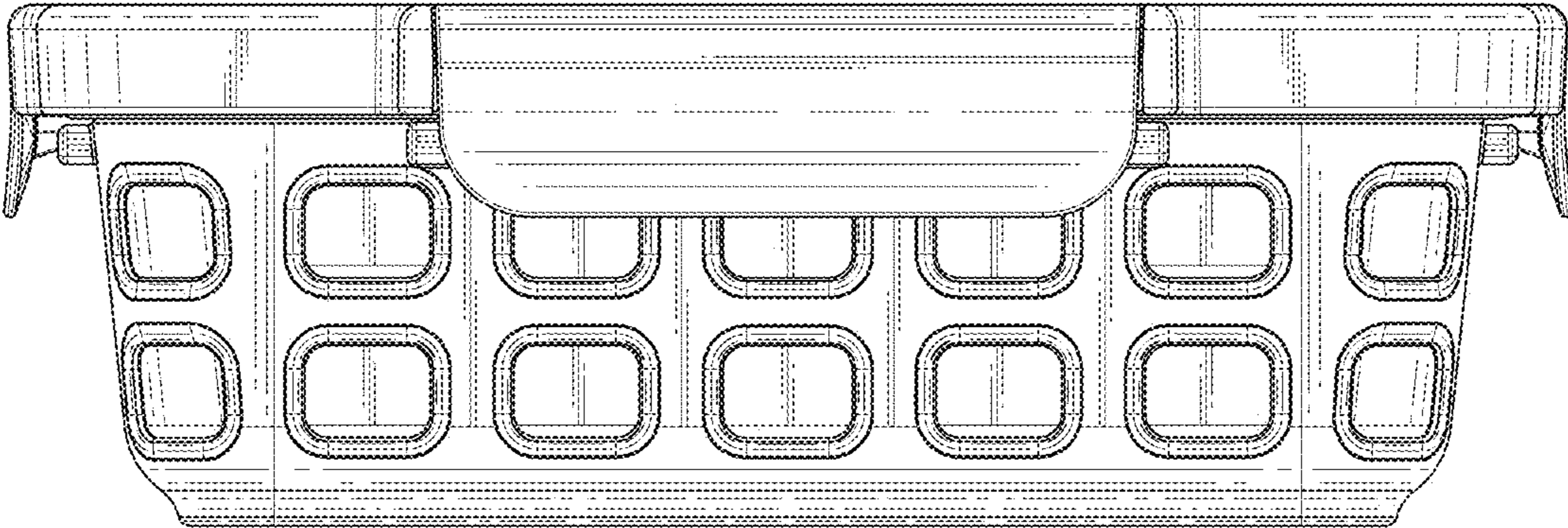


FIG. 5

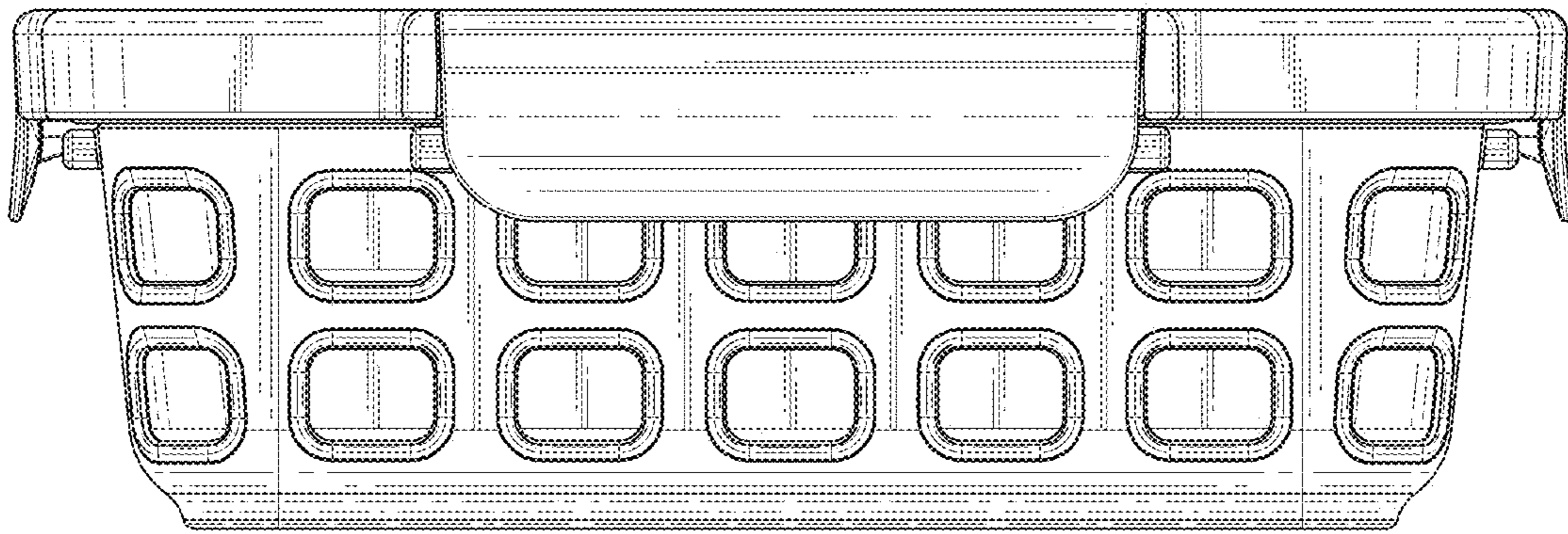


FIG. 6

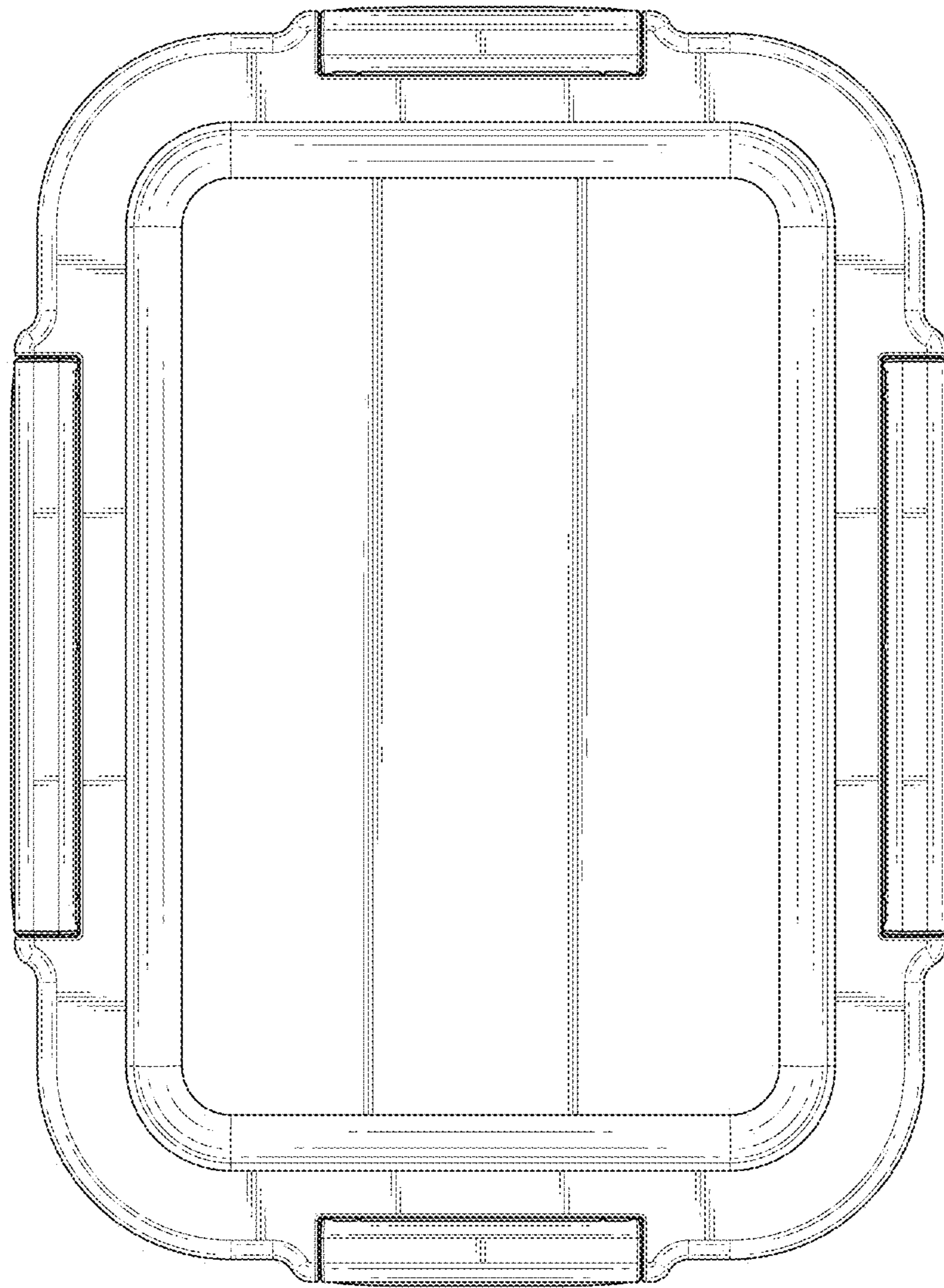


FIG. 7

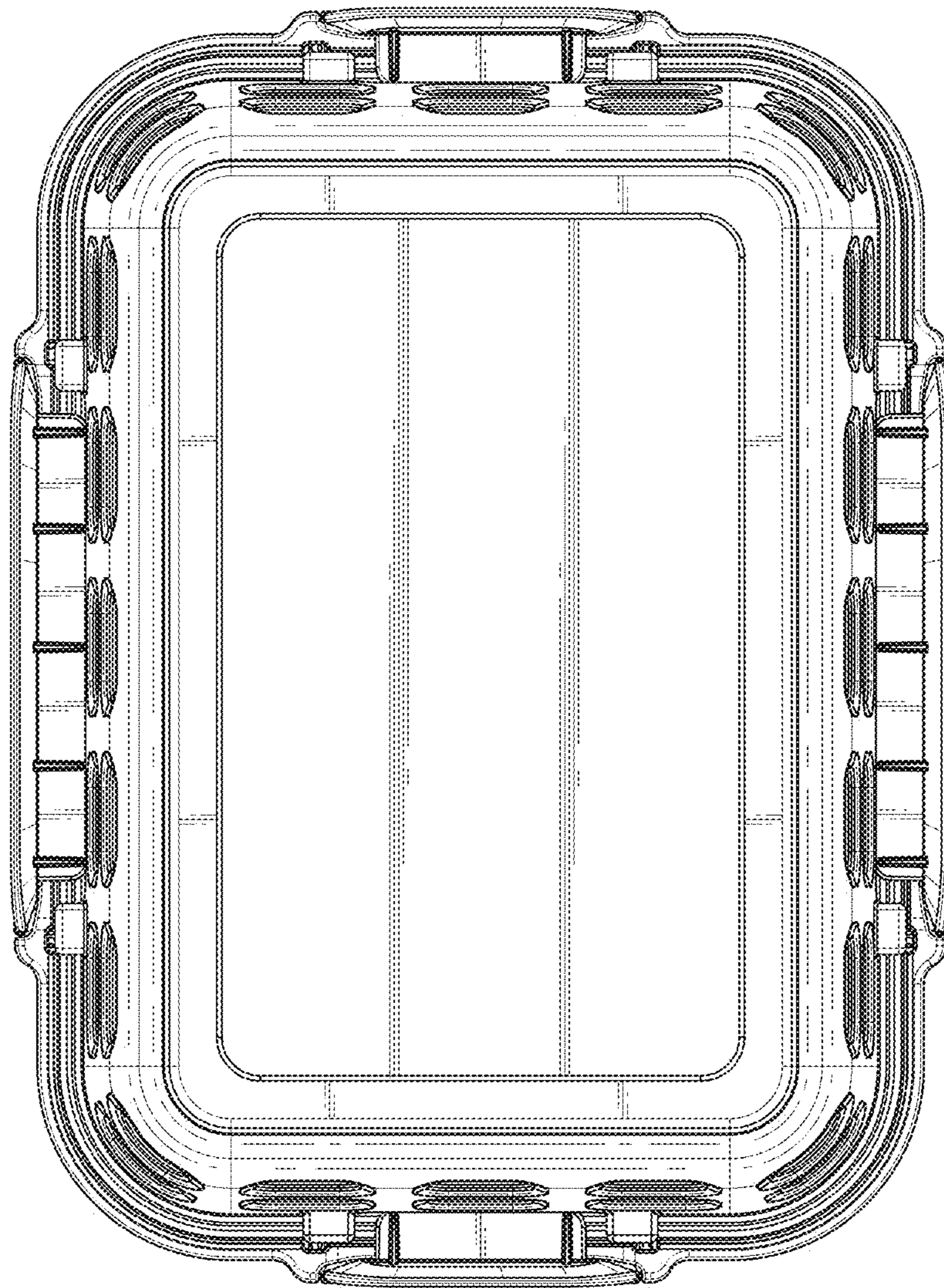


FIG. 8