

US00D901989S

(12) **United States Design Patent** (10) **Patent No.:** **US D901,989 S**  
**Gray et al.** (45) **Date of Patent:** **\*\* Nov. 17, 2020**

(54) **FITTED COASTER**

(71) Applicants: **Austin Gray**, San Antonio, TX (US);  
**Steven Eggleston**, Brea, CA (US)

(72) Inventors: **Austin Gray**, San Antonio, TX (US);  
**Steven Eggleston**, Brea, CA (US)

(73) Assignees: **Austin Gray**, San Antonio, TX (US);  
**Steven Eggleston**, Brea, CA (US)

(\*\*) Term: **15 Years**

(21) Appl. No.: **29/654,131**

(22) Filed: **Jun. 21, 2018**

(51) **LOC (12) Cl.** ..... **07-06**

(52) **U.S. Cl.**  
USPC ..... **D7/624.2**

(58) **Field of Classification Search**  
 USPC ..... D7/619.1-625; D9/455, 444  
 CPC ..... A47B 55/00; A47B 55/02; A47B 73/00;  
 A47B 73/002; A47B 73/004; A47B  
 73/006; A47B 73/008; A47B 69/00;  
 A47G 23/0266; A47G 23/0216; B65D  
 81/18; B65D 81/3876; B65D 81/3886;  
 B65D 5/0281; B65D 5/3628; E04B 1/80;  
 F25D 23/06; F25D 2201/1282; B31D  
 5/0086

See application file for complete search history.

(56) **References Cited**

U.S. PATENT DOCUMENTS

1,917,953 A	7/1933	Davis
D97,347 S	10/1935	Gambell
3,161,394 A	12/1964	Savitt
5,205,473 A	4/1993	Coffin, Sr.

(Continued)

Primary Examiner — Terry A Wallace

(74) *Attorney, Agent, or Firm* — Plumsea Law Group, LLC

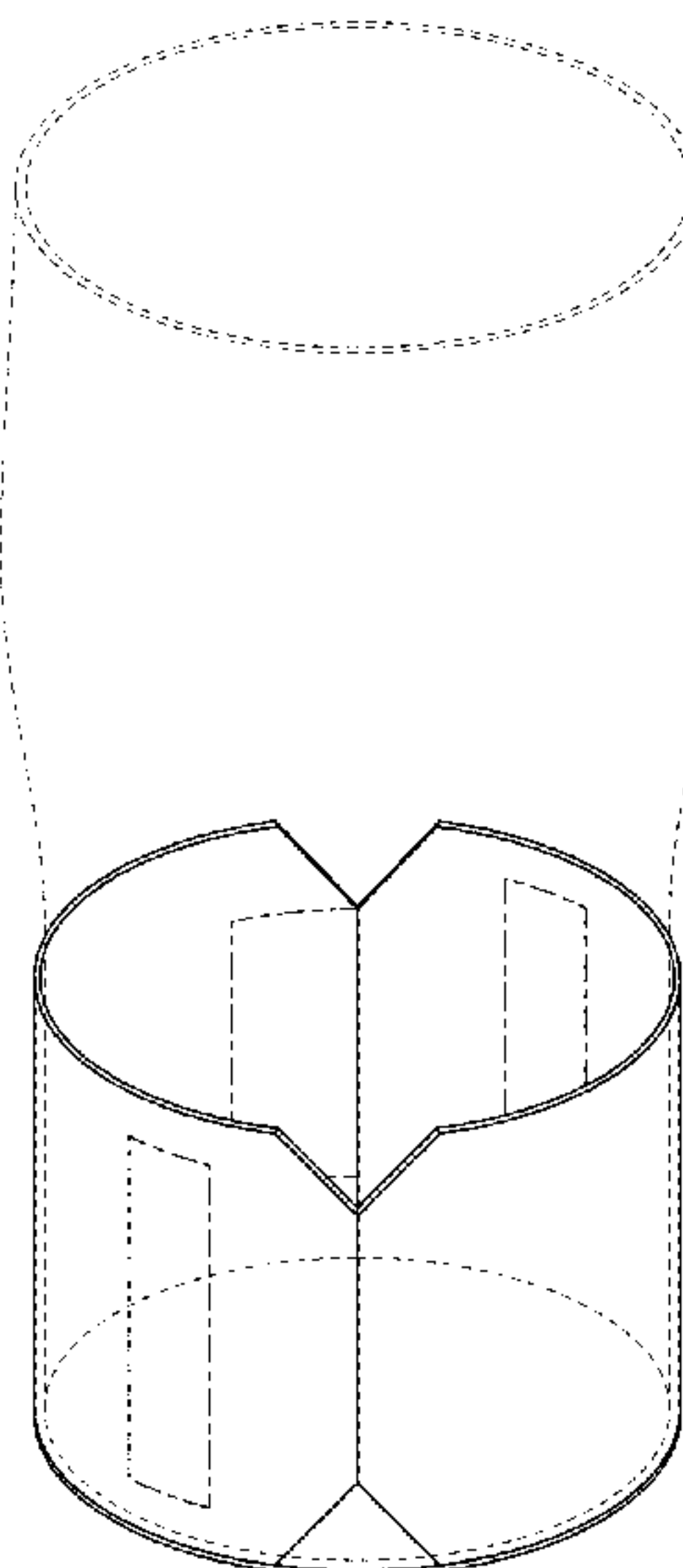
(57) **CLAIM**

The ornamental design for a fitted coaster, as shown and described.

**DESCRIPTION**

FIG. 1 is a plan view of a blank for a fitted coaster showing my new design;  
 FIG. 2 is a perspective view of my design for a fitted coaster in combination with a beverage container;  
 FIG. 3 is a front elevation view thereof;  
 FIG. 4 is a rear elevation view thereof;  
 FIG. 5 is a side elevation view of one side thereof;  
 FIG. 6 is a side elevation view of the opposite side thereof;  
 FIG. 7 is a bottom elevation view thereof;  
 FIG. 8 is a bottom perspective view of my design in combination with a beverage container;  
 FIG. 9 is a view of a circular base of my design in an assembled and folded configuration illustrated in even broken lines;  
 FIG. 10 is another embodiment of my design in which the sides of the fitted coaster are tapered from the top to the bottom;  
 FIG. 11 is a perspective view of the fitted coaster from FIG. 10 assembled and in combination with a tapered beverage container;  
 FIG. 12 is a front elevation view thereof;  
 FIG. 13 is a rear elevation view thereof;  
 FIG. 14 is a side elevation view of one side thereof;  
 FIG. 15 is a side elevation view of the opposite side thereof;  
 FIG. 16 is a bottom elevation view thereof;  
 FIG. 17 is a bottom perspective view of my design in combination with a tapered beverage container;  
 FIG. 18 is another embodiment of my design in which a surface of the fitted coaster includes corrugation;  
 FIG. 19 is a perspective view of the assembled fitted coaster from FIG. 18 in combination with a beverage container; and,  
 FIG. 20 is another embodiment of my design in which the even broken lines represent perforations.

**1 Claim, 16 Drawing Sheets**



(56)

References Cited

U.S. PATENT DOCUMENTS

5,425,497 A 6/1995 Sorensen  
 5,492,269 A \* 2/1996 Sung ..... B65D 5/3628  
 229/117.06  
 D411,079 S 6/1999 Graham  
 6,026,983 A \* 2/2000 Graham ..... A47G 23/0216  
 220/738  
 6,412,686 B1 \* 7/2002 Mahl ..... B65D 5/0281  
 220/738  
 6,601,728 B1 8/2003 Newkirk et al.  
 7,000,801 B2 2/2006 Rodriguez  
 7,228,987 B2 6/2007 Jones  
 7,264,134 B2 9/2007 Tulp  
 D610,411 S 2/2010 Holladay  
 D648,185 S \* 11/2011 Sanders ..... D7/624.2  
 8,056,757 B2 11/2011 Mansour et al.  
 D670,542 S 11/2012 Lee  
 8,672,176 B2 3/2014 Sayasithsena  
 D704,006 S 5/2014 Gonzales  
 9,254,053 B2 2/2016 Arzumanyan et al.  
 9,533,794 B2 1/2017 Vara  
 9,795,235 B1 \* 10/2017 Bouse ..... B65D 81/3876  
 D802,375 S 11/2017 Kao

D803,636 S \* 11/2017 Kiefer ..... D7/624.2  
 9,826,850 B2 11/2017 Hasani  
 9,856,068 B2 \* 1/2018 Jody ..... B65D 81/3876  
 2003/0146228 A1 8/2003 Davis et al.  
 2007/0138188 A1 \* 6/2007 Mace ..... B31D 5/0086  
 220/739  
 2007/0181766 A1 \* 8/2007 Sarullo ..... A47G 23/0216  
 248/311.2  
 2009/0020676 A1 1/2009 Curry  
 2009/0078594 A1 3/2009 Lookholder  
 2010/0001012 A1 1/2010 Wilson  
 2010/0059393 A1 3/2010 Hechtman  
 2011/0192750 A1 8/2011 Kokin  
 2012/0234846 A1 9/2012 Costanzo, Jr.  
 2013/0075412 A1 3/2013 Schminke  
 2014/0091099 A1 4/2014 Prchal  
 2016/0120348 A1 5/2016 Ko  
 2016/0174742 A1 6/2016 Berthelot  
 2016/0194113 A1 7/2016 Aquino  
 2016/0288948 A1 10/2016 Kiefer et al.  
 2017/0020319 A1 1/2017 Detweiler  
 2017/0156527 A1 6/2017 Vara  
 2017/0332817 A1 11/2017 Nellis  
 2018/0078068 A1 3/2018 Cronin

\* cited by examiner

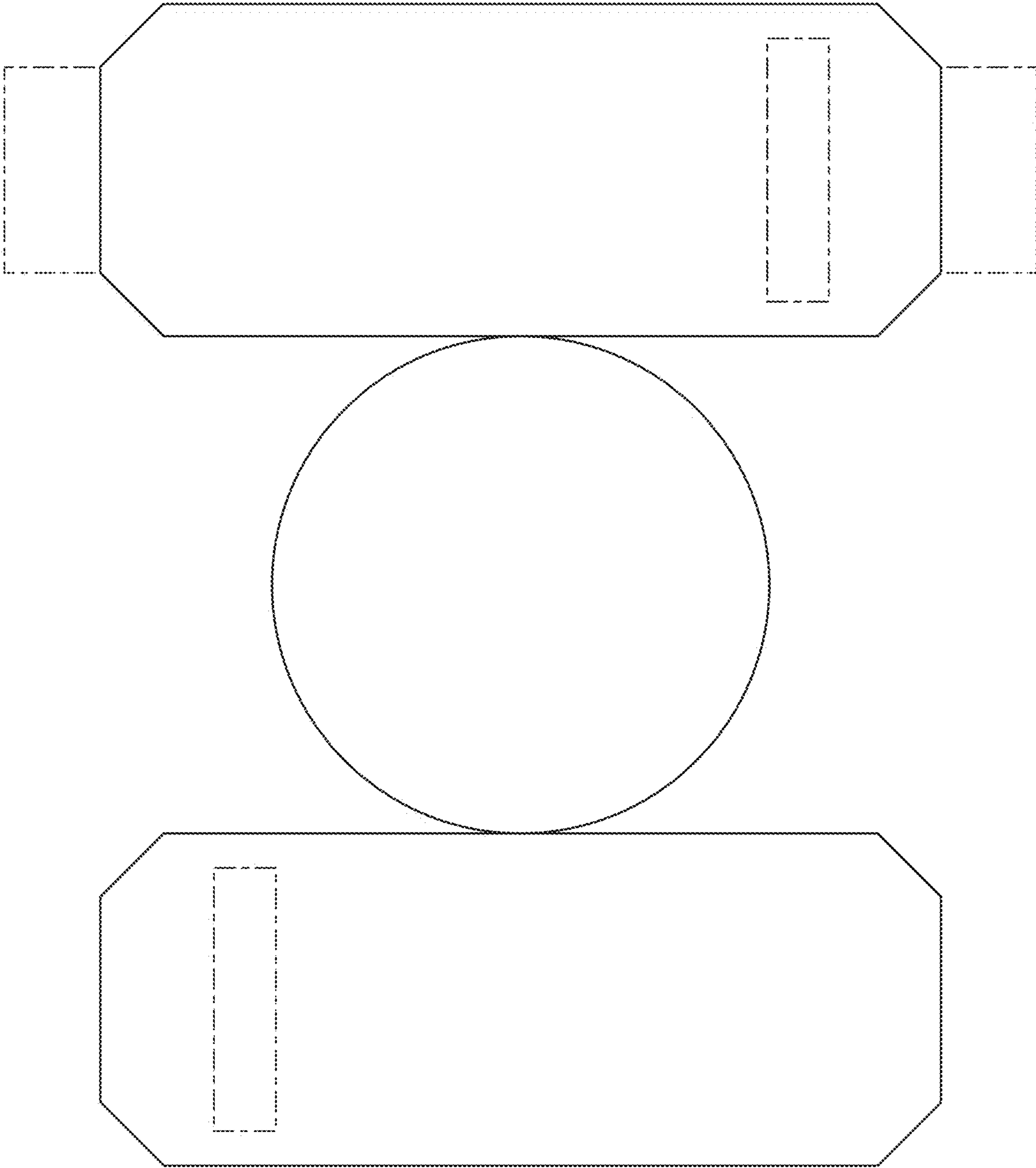


FIG. 1

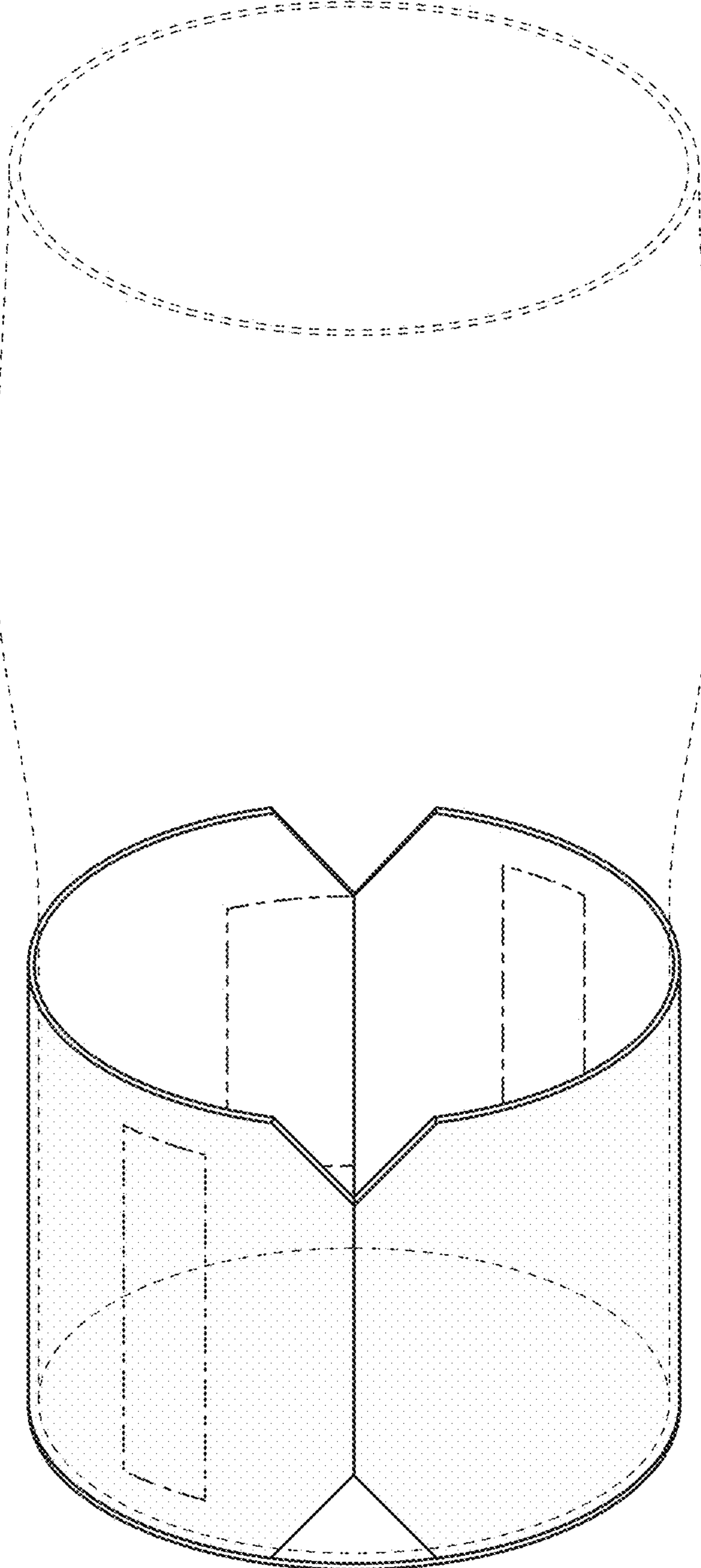
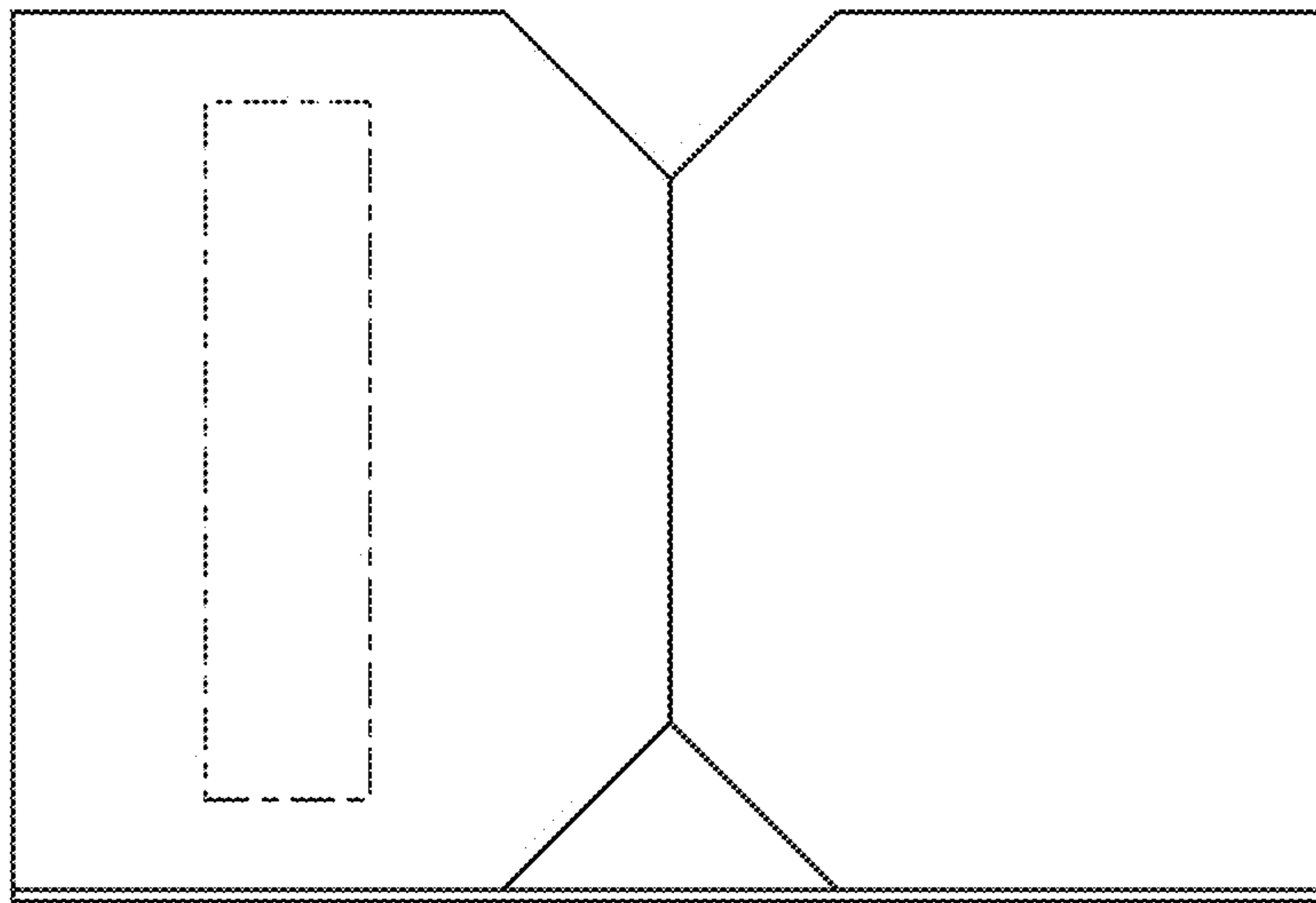
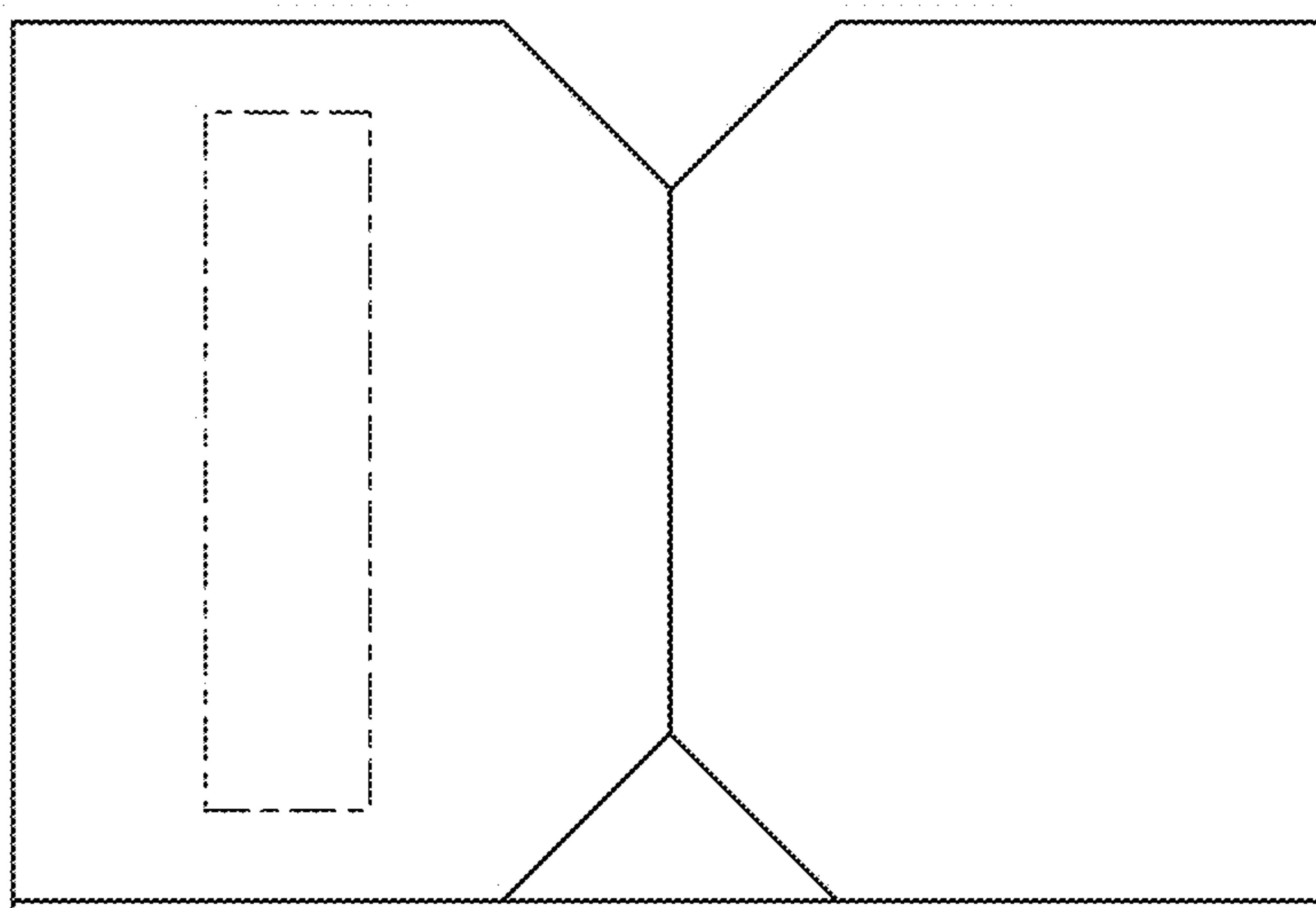


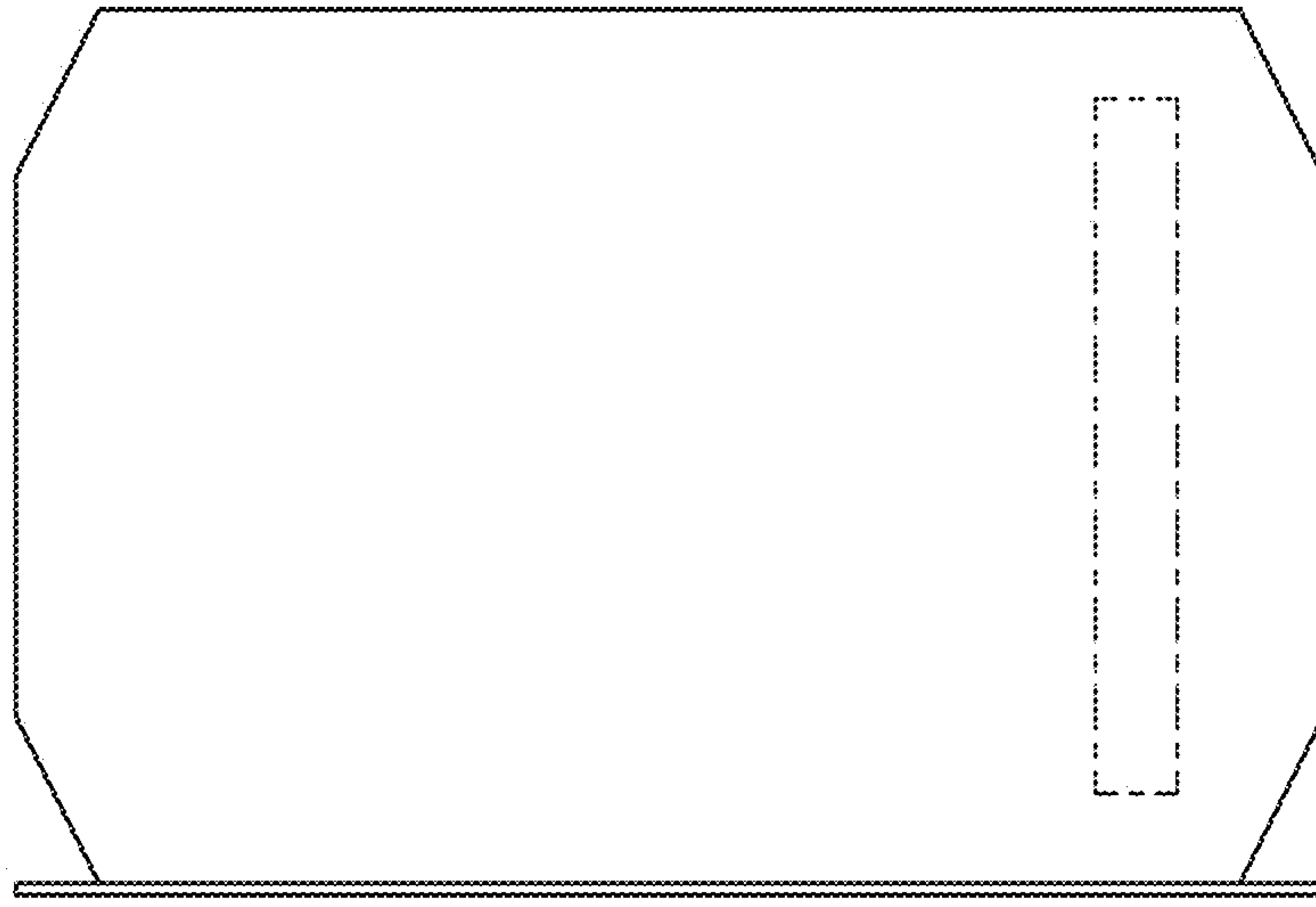
FIG. 2



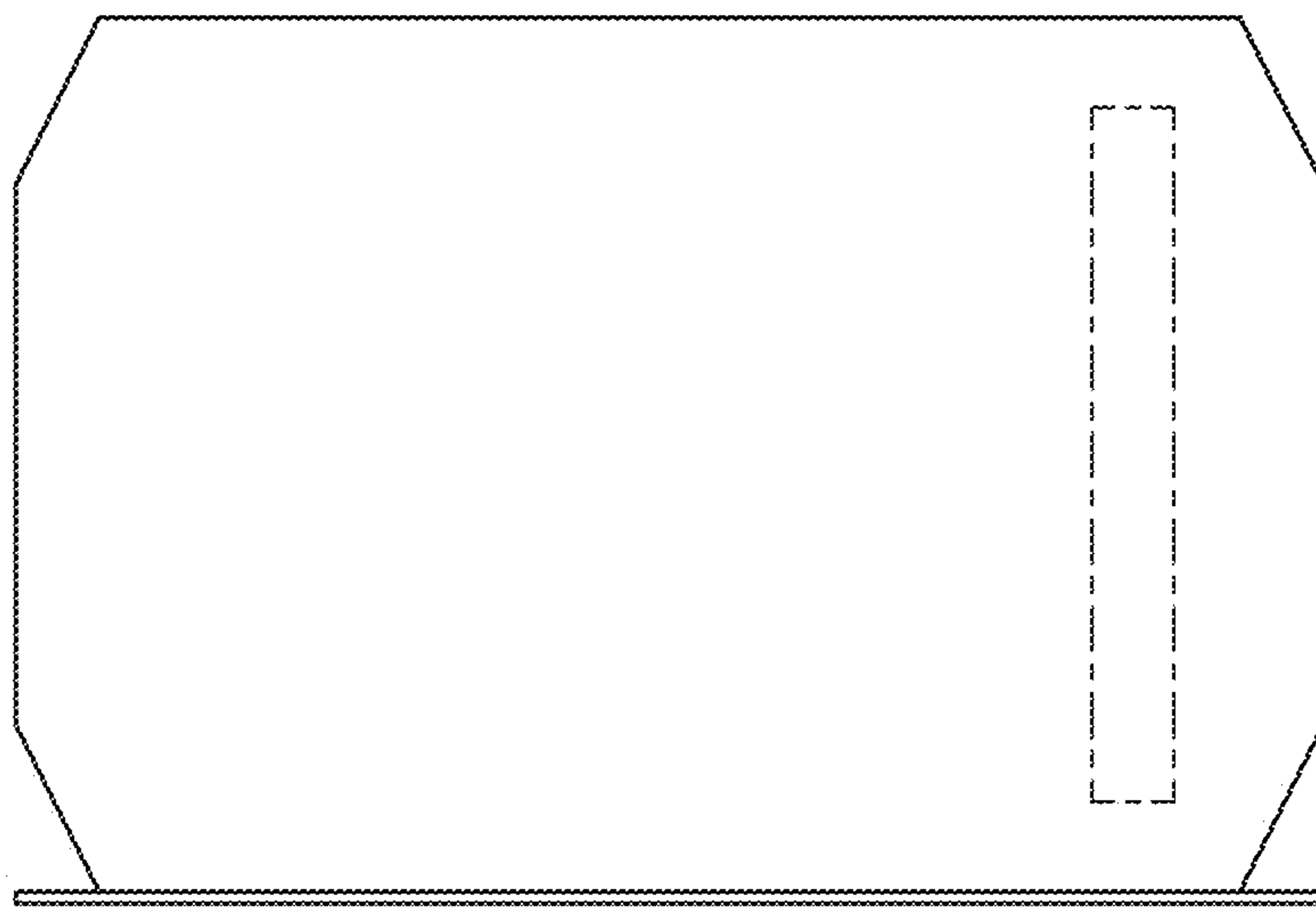
**FIG. 3**



**FIG. 4**

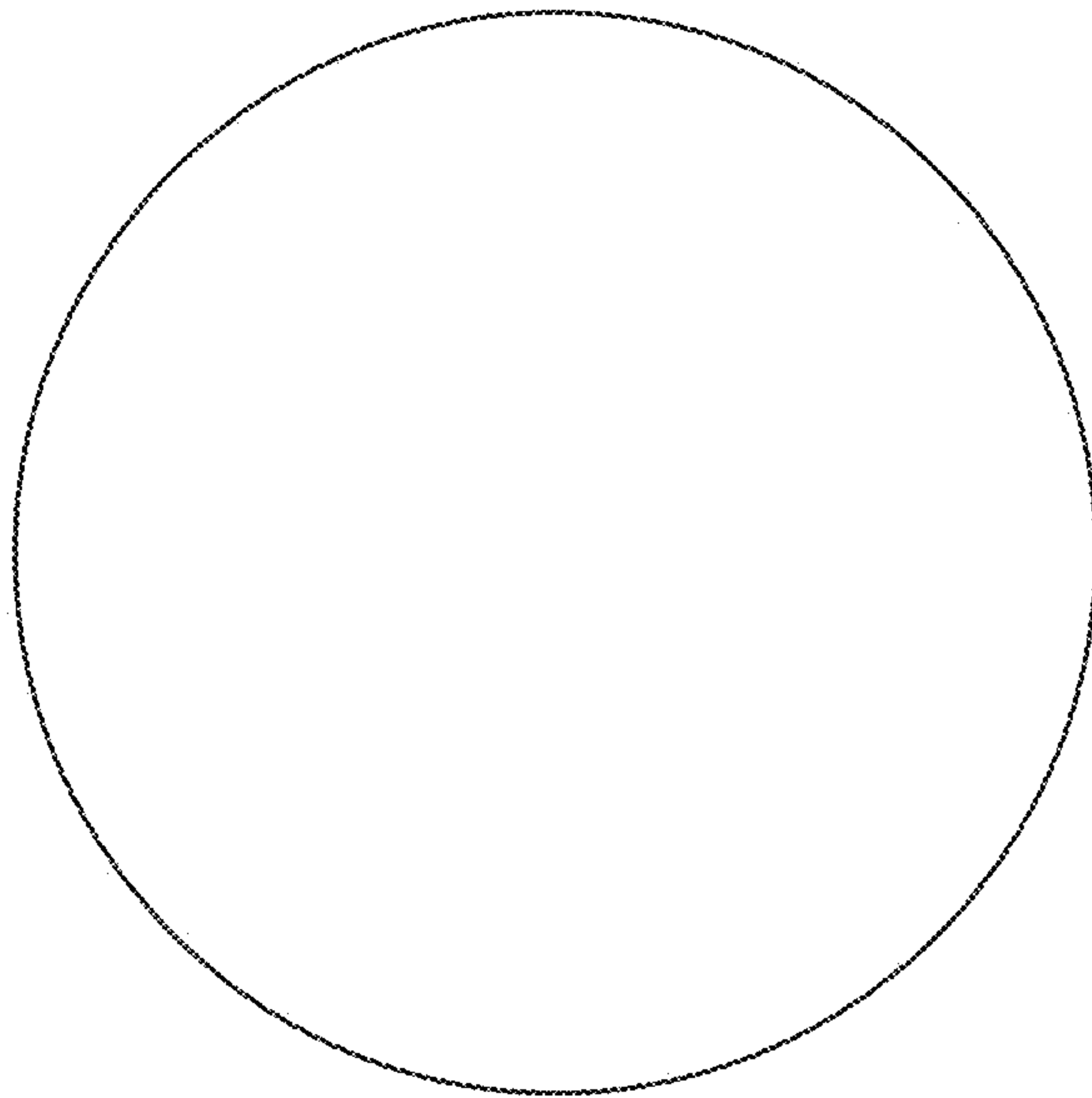


**FIG. 5**



**FIG. 6**





**FIG. 7**

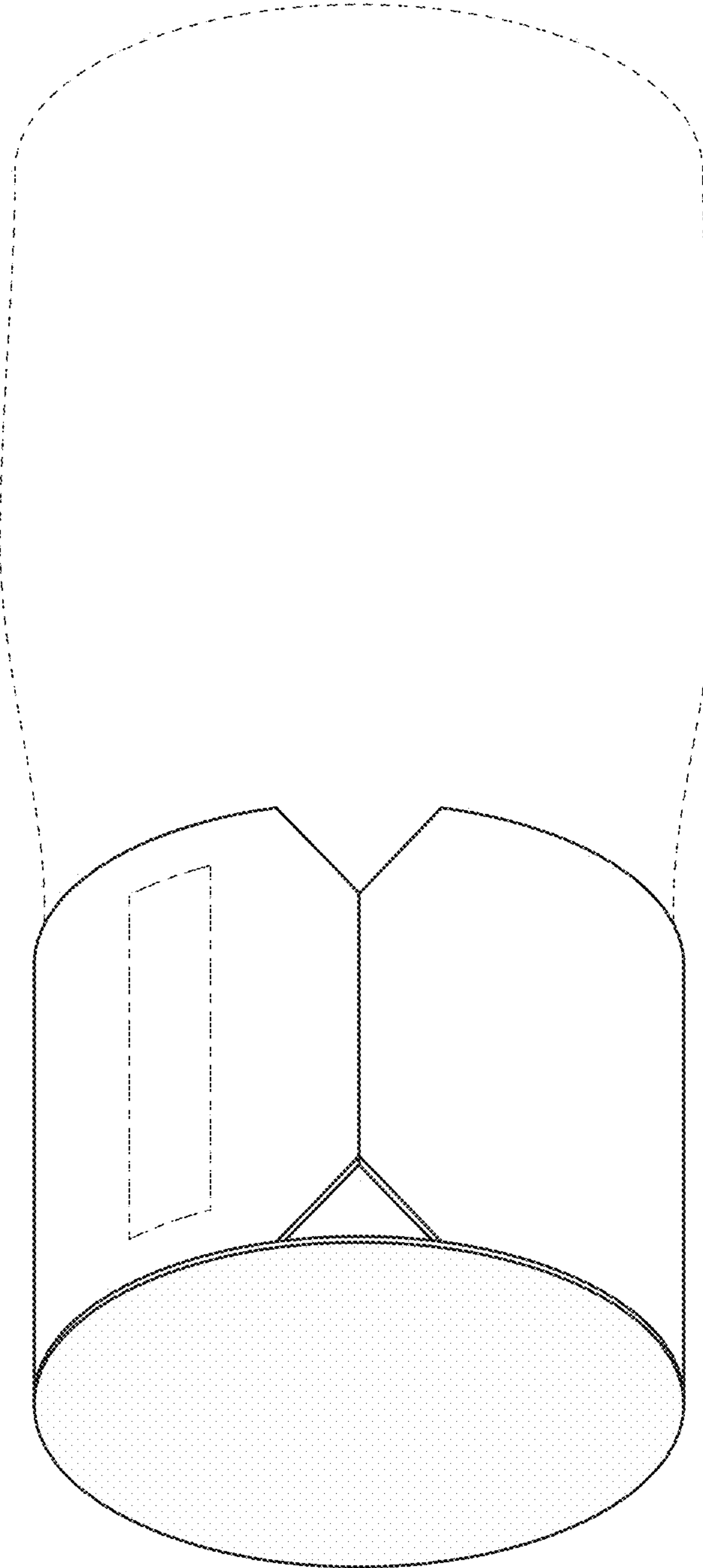
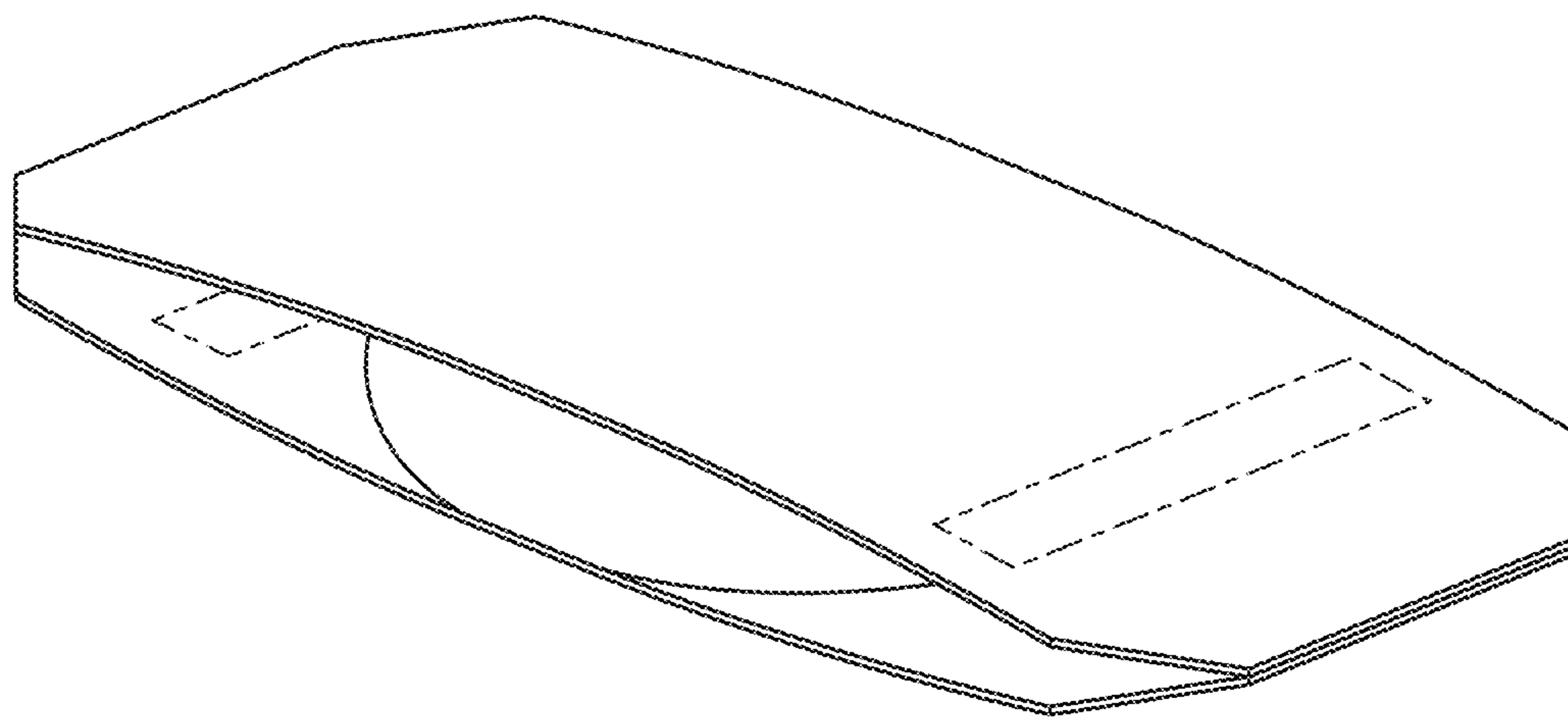


FIG. 8





**FIG. 9**

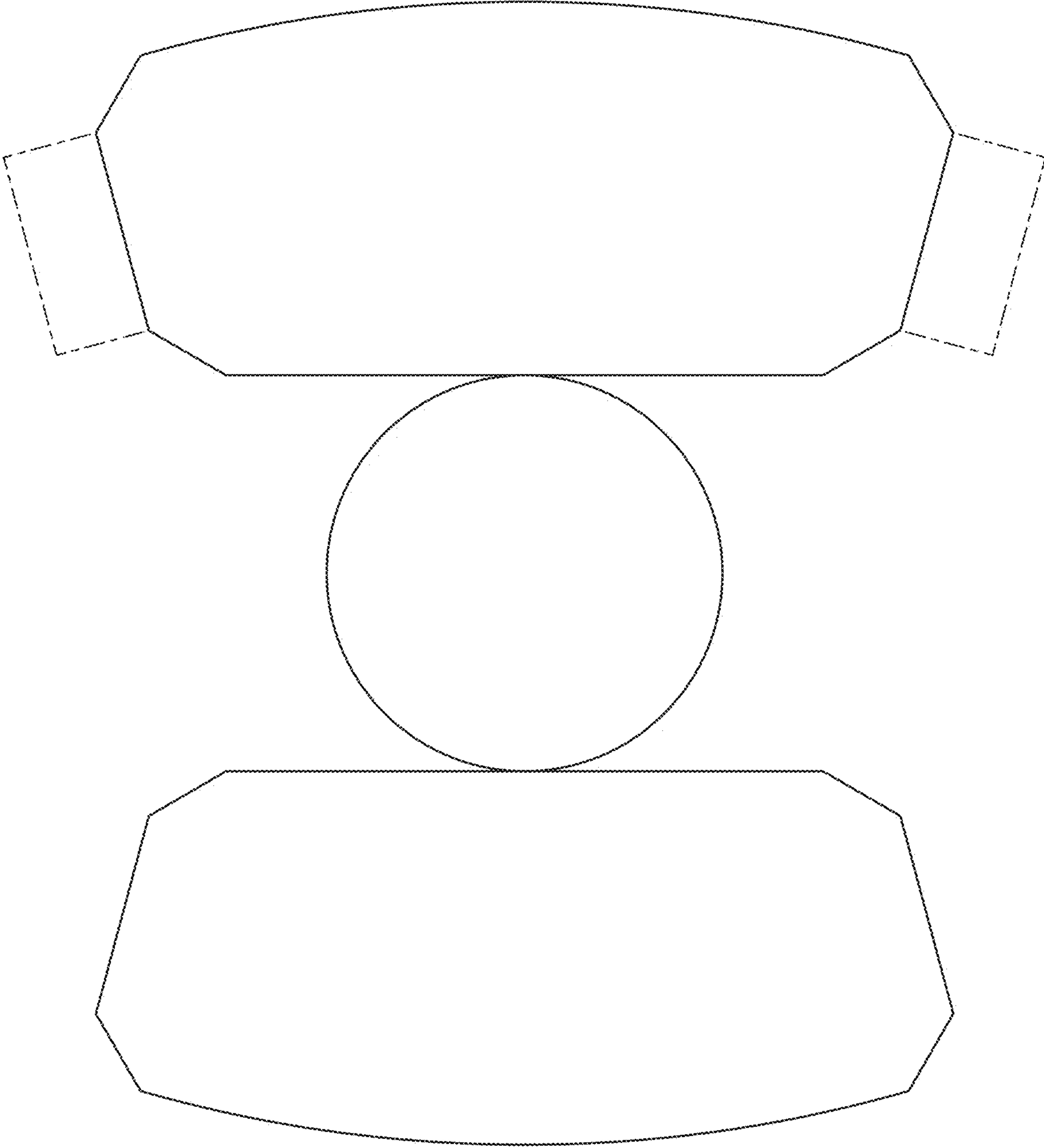
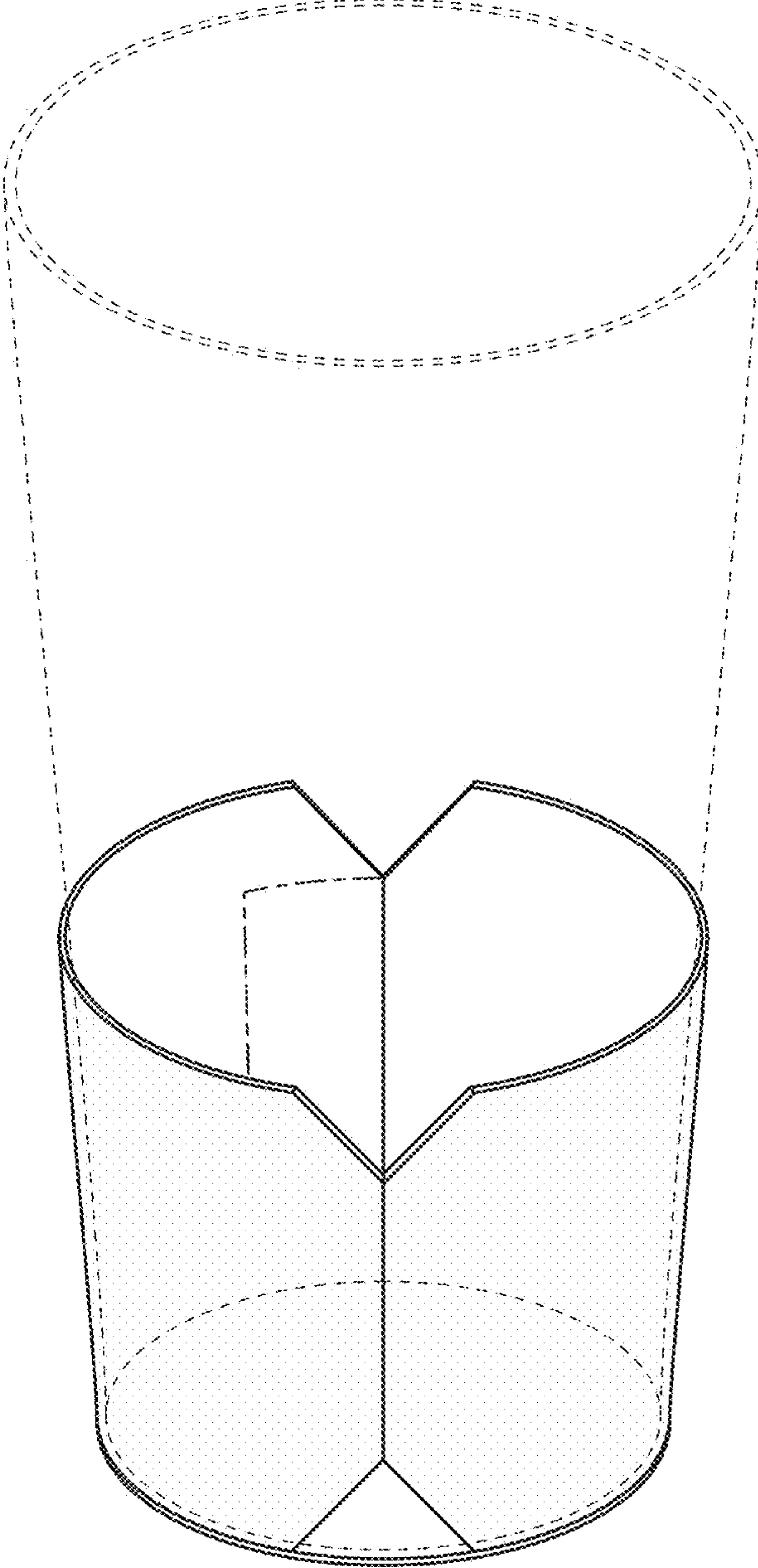
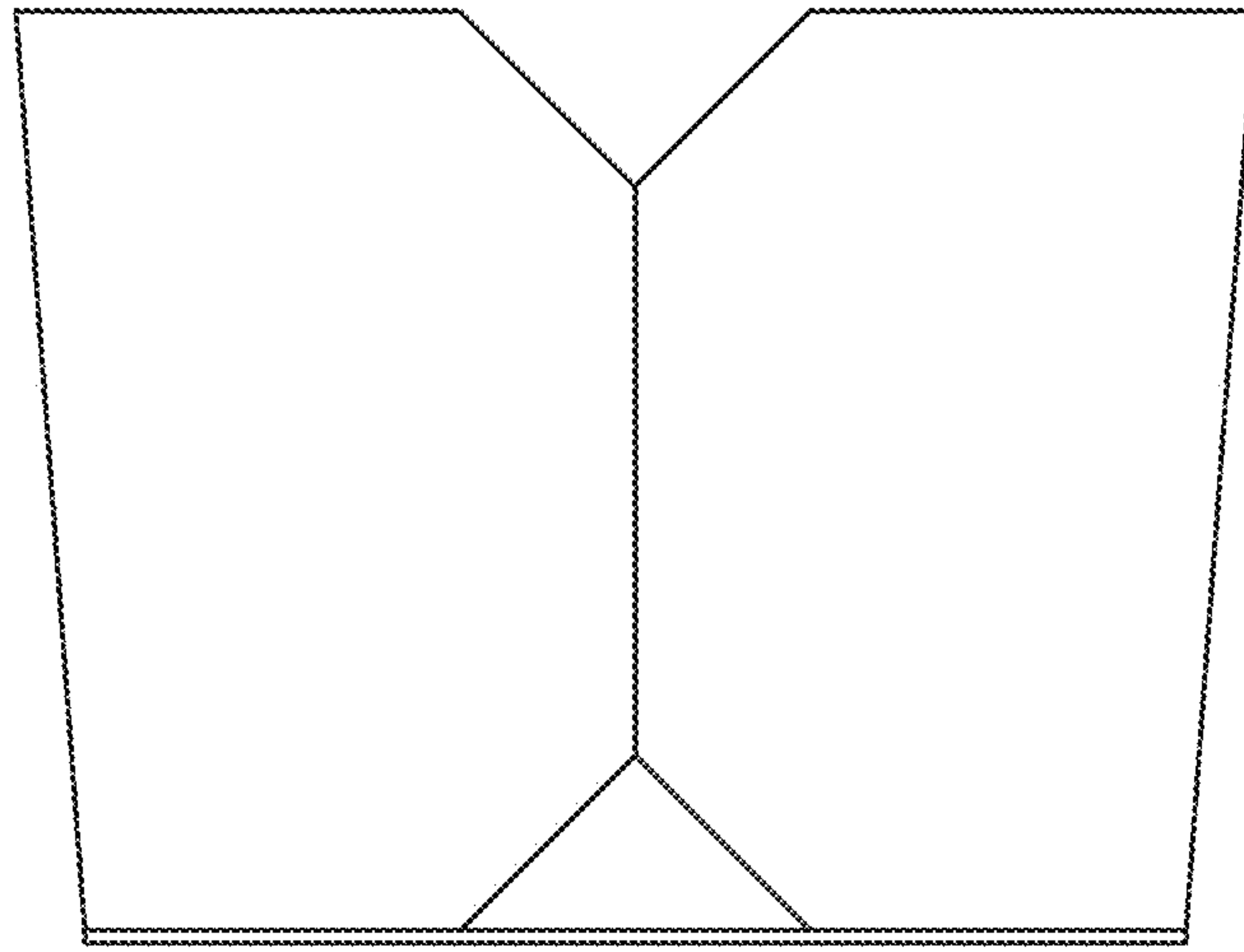


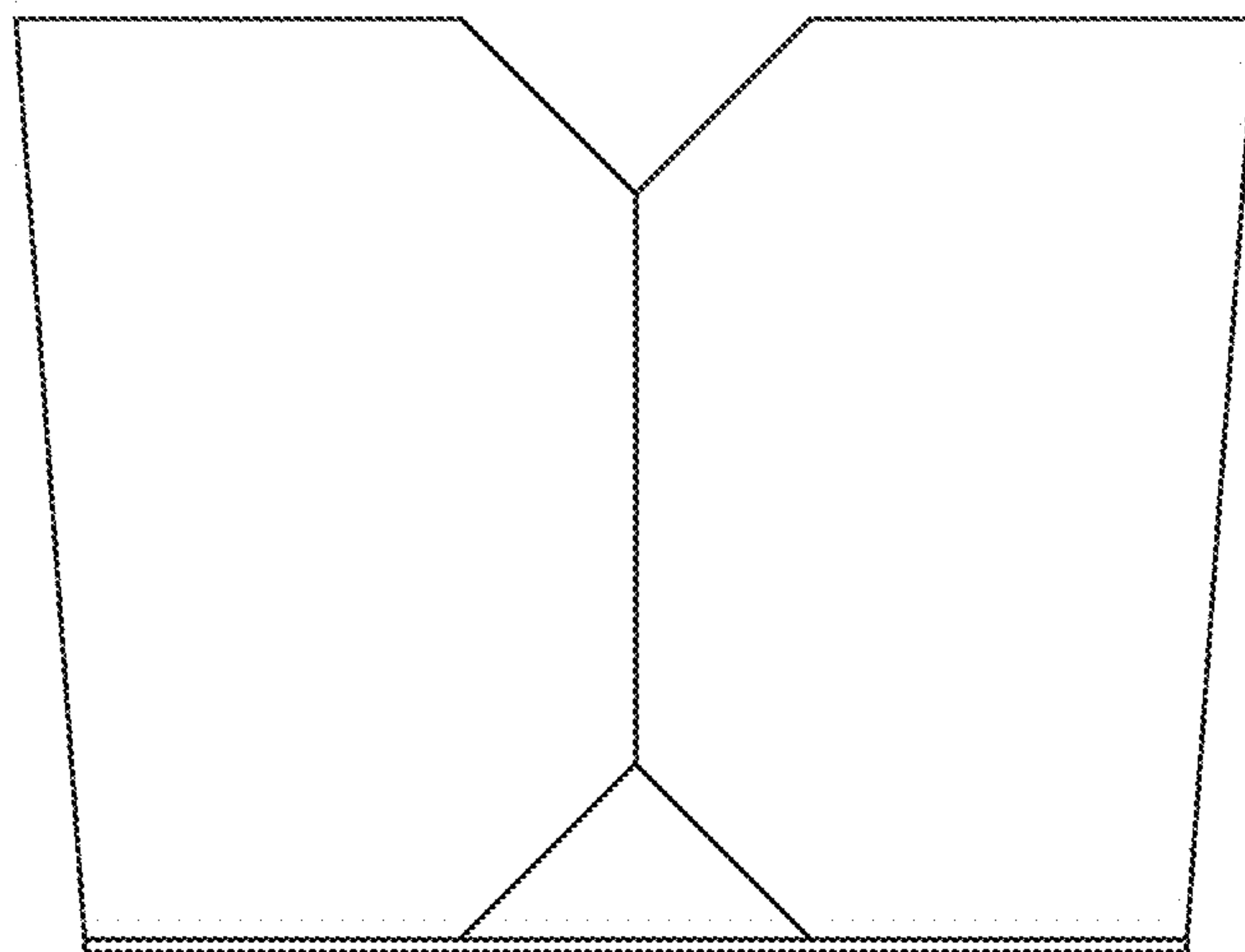
FIG. 10



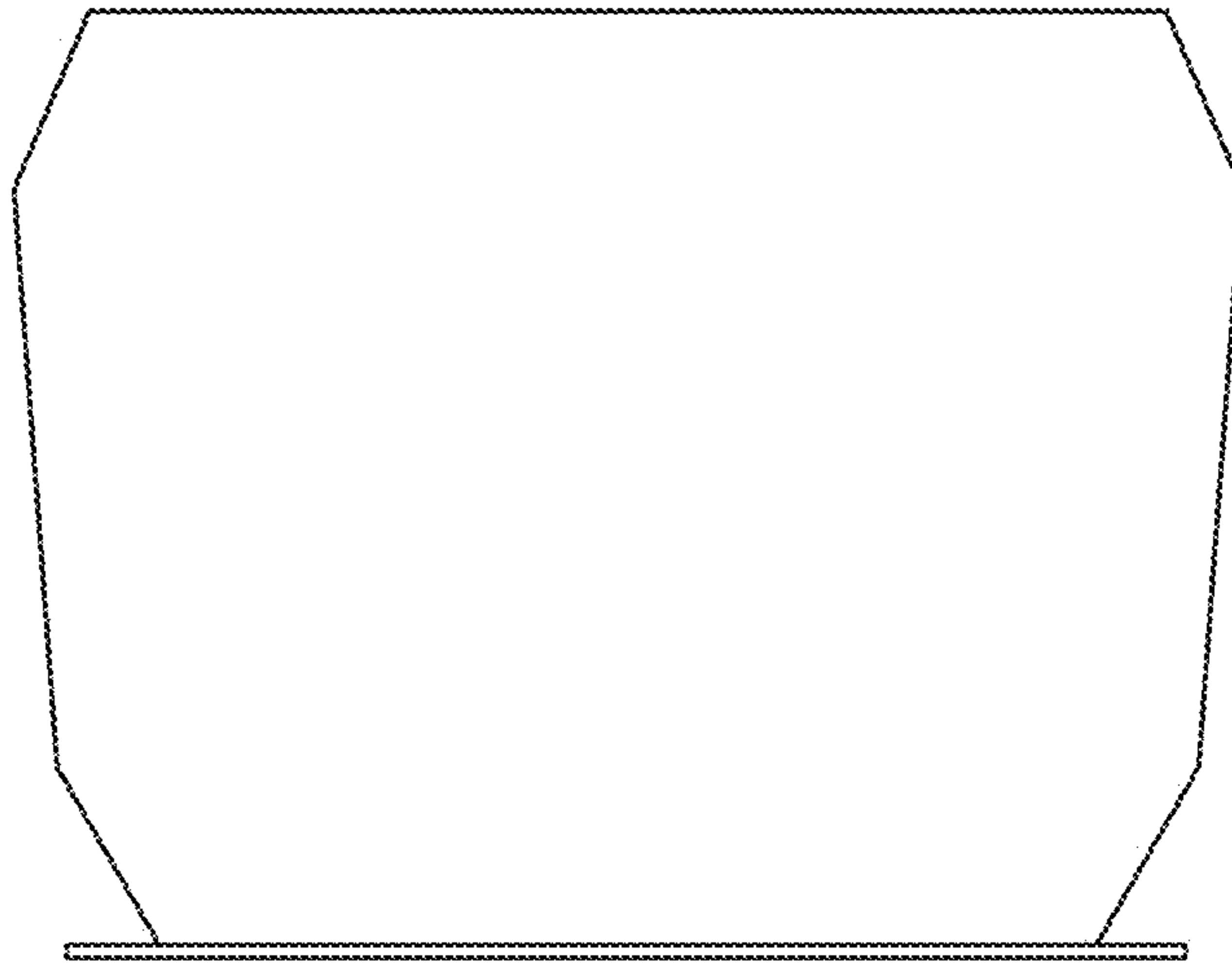
**FIG. 11**



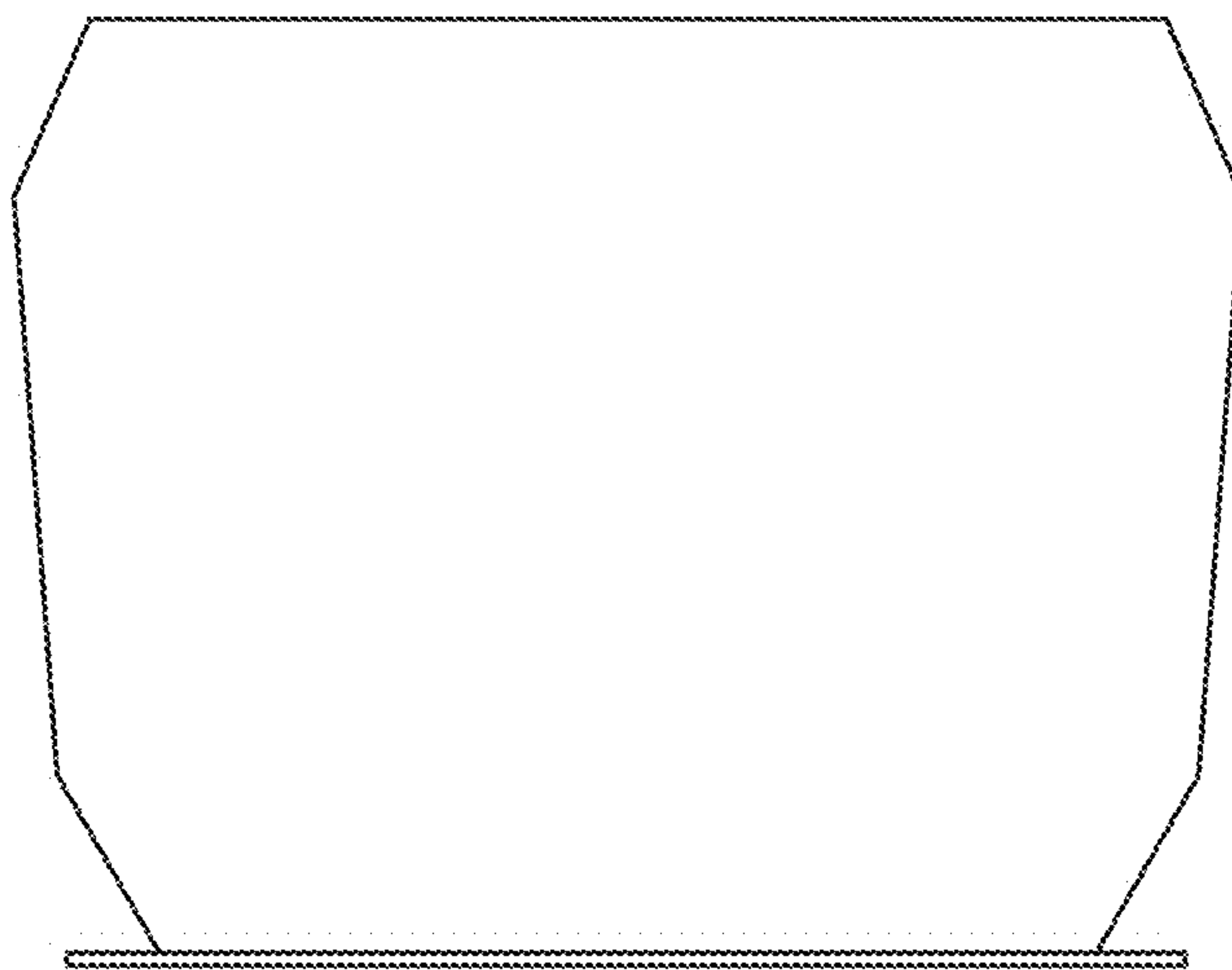
**FIG. 12**



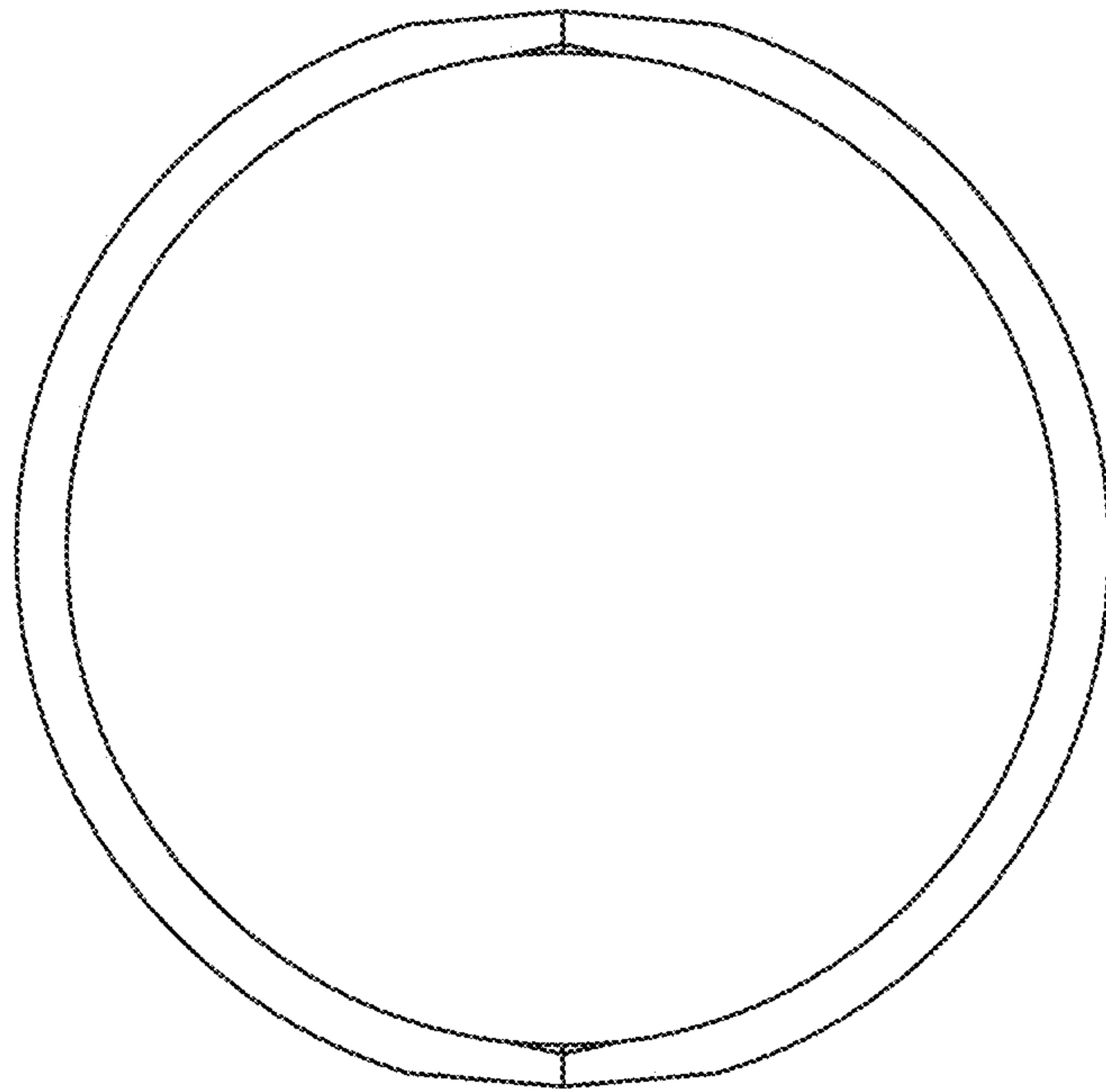
**FIG. 13**



**FIG. 14**



**FIG. 15**



**FIG. 16**



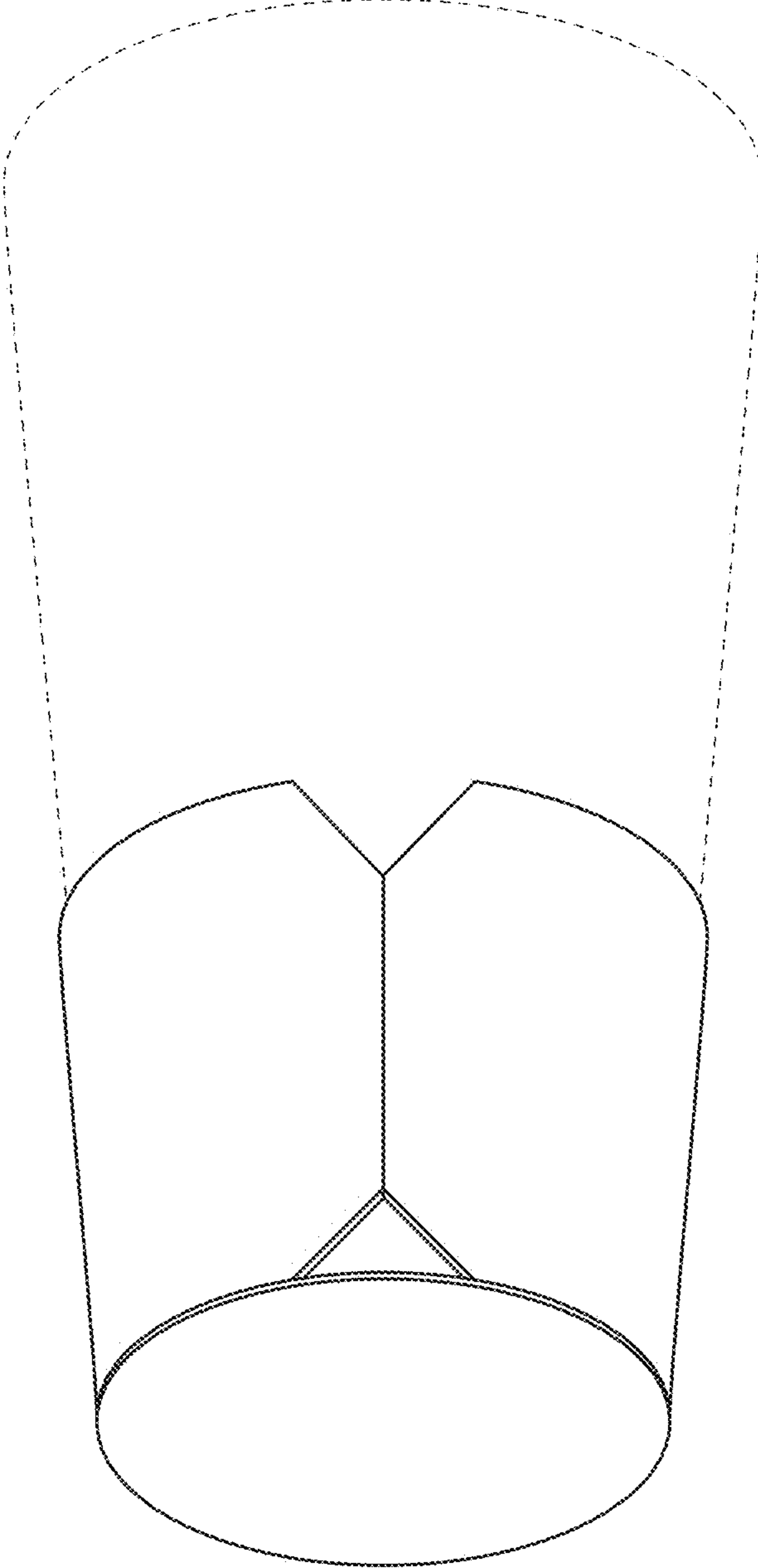


FIG. 17

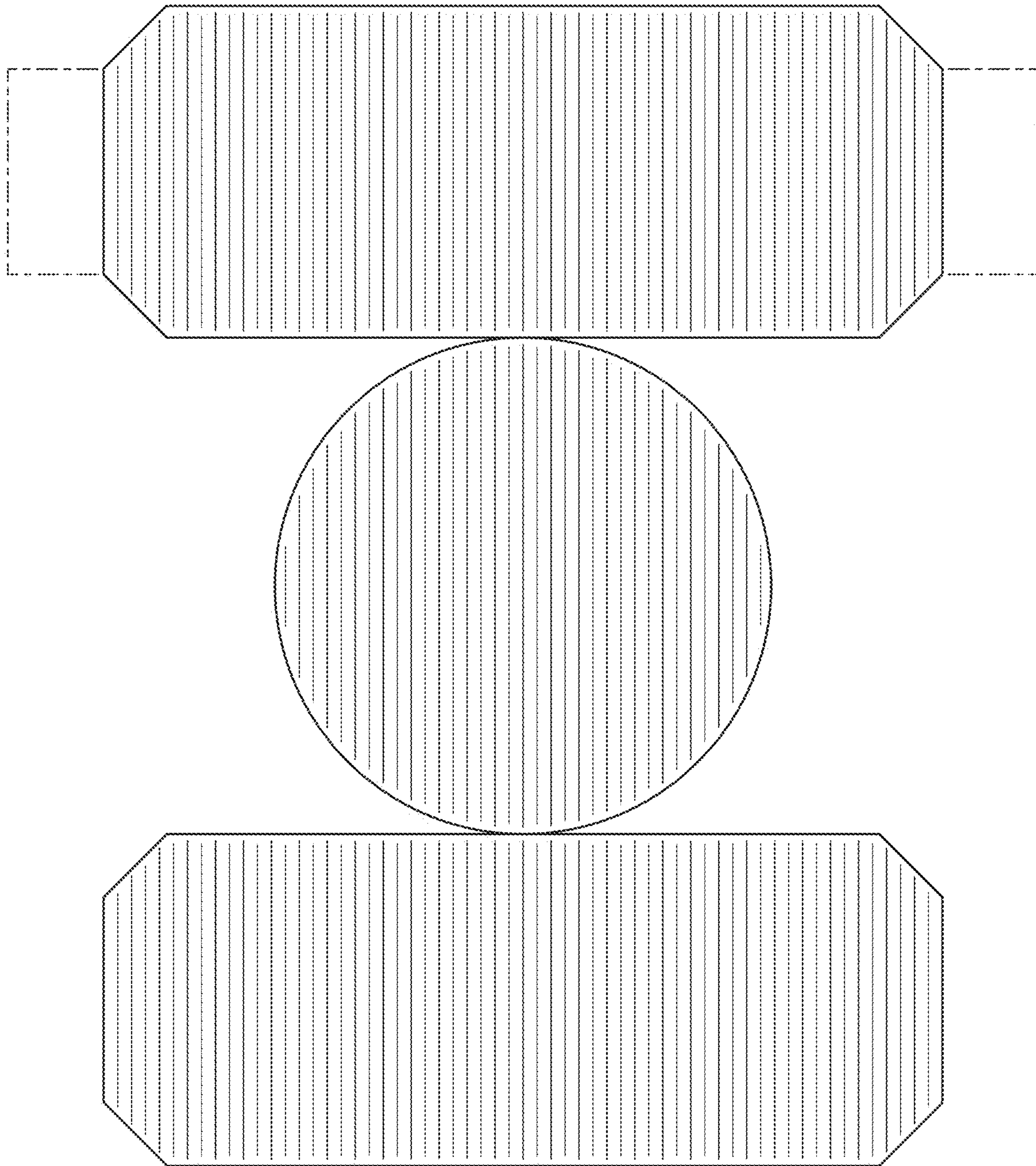


FIG. 18

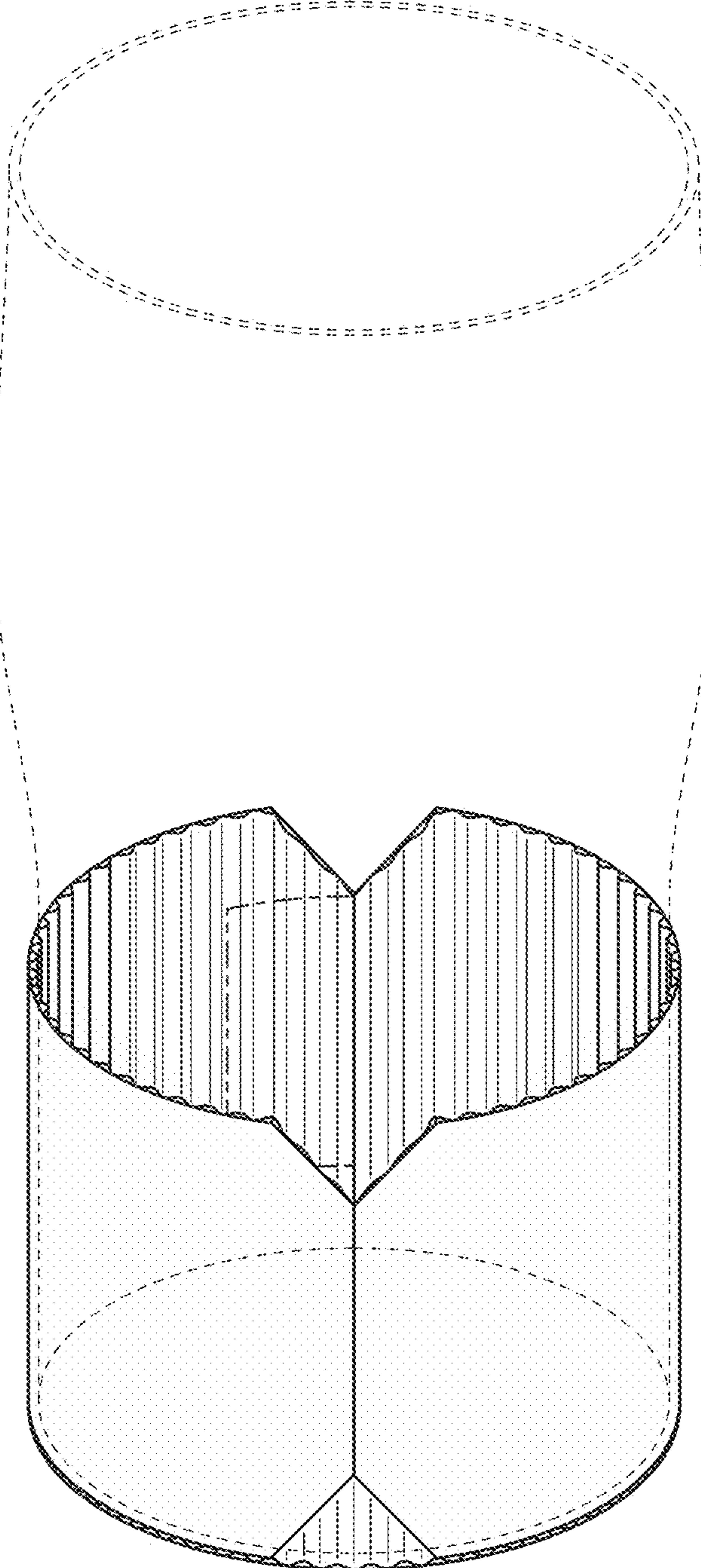


FIG. 19

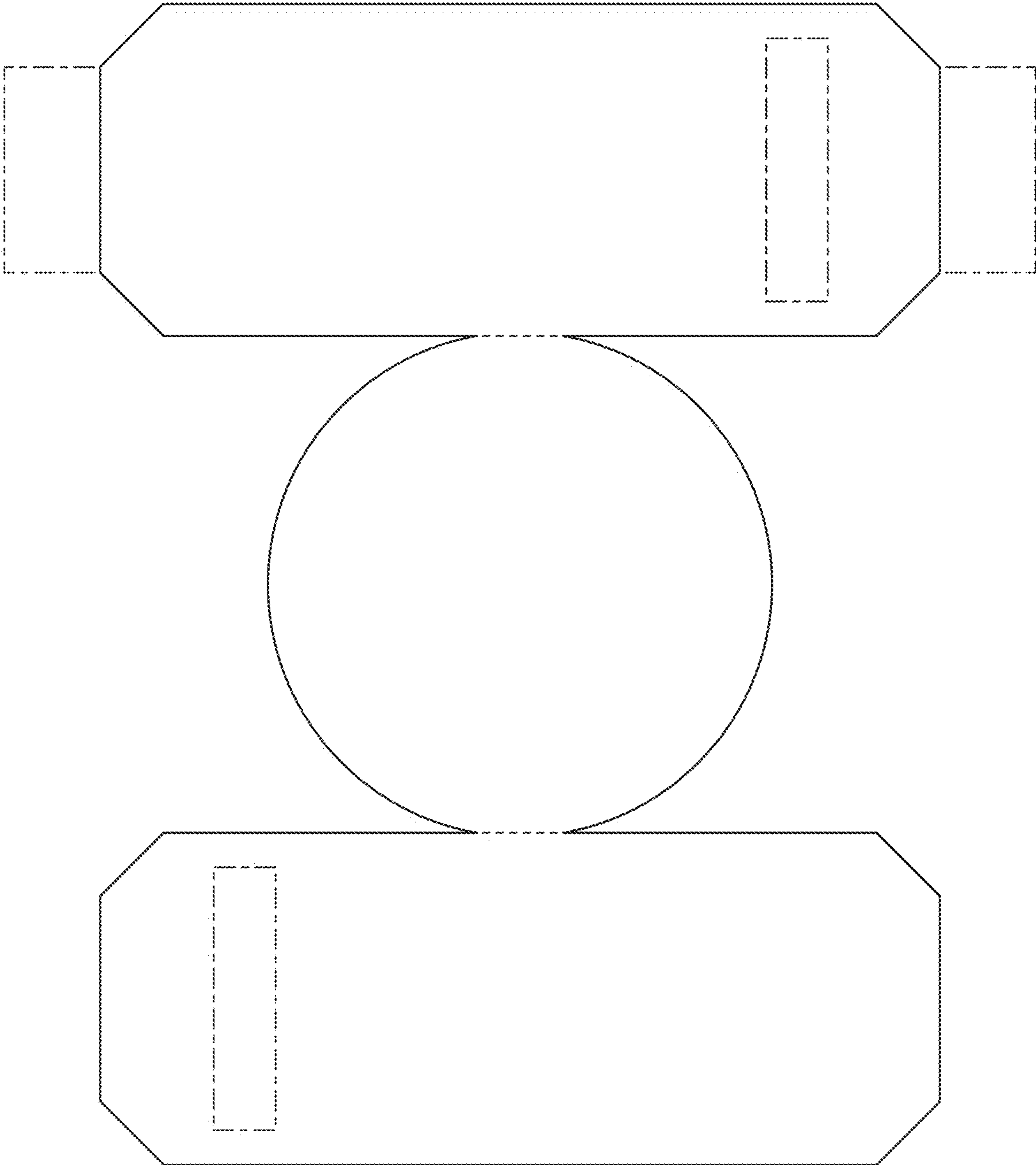


FIG. 20