



US00D901986S

(12) **United States Design Patent**  
**Meda et al.**

(10) **Patent No.:** **US D901,986 S**

(45) **Date of Patent:** **\*\* Nov. 17, 2020**

(54) **COOLER**

5,301,508 A \* 4/1994 Kahl ..... F25B 21/02  
62/3.62

(71) Applicant: **Dometic Sweden AB**, Solna (SE)

D497,517 S 10/2004 Reuter

D500,057 S 12/2004 Reuter

(72) Inventors: **Samuele Meda**, Solna (SE); **Mikael Thelin**, Huddinge (SE); **Kristoffer Olsson**, Hågersten (SE); **Ken Ng**, Sham Shui Pu (HK); **Wang Xipeng**, Shenzhen (CN)

D534,771 S 1/2007 Zorn

D566,479 S \* 4/2008 Kabalin ..... D3/273

(Continued)

**FOREIGN PATENT DOCUMENTS**

(73) Assignee: **Dometic Sweden AB**, Solna (SE)

AU 201816061 1/2019

AU 201910011 2/2019

(\*\*) Term: **15 Years**

(Continued)

(21) Appl. No.: **29/666,264**

**OTHER PUBLICATIONS**

(22) Filed: **Oct. 11, 2018**

Formalities notice No. 1 for AU Design Application No. 201816061 dated Nov. 7, 2018.

(30) **Foreign Application Priority Data**

(Continued)

Apr. 12, 2018 (EM) ..... 005230802

(51) **LOC (12) Cl.** ..... **07-01**

*Primary Examiner* — Terry A Wallace

(52) **U.S. Cl.**

(74) *Attorney, Agent, or Firm* — Middleton Reutlinger

USPC ..... **D7/605**

(58) **Field of Classification Search**

(57) **CLAIM**

USPC ..... D7/603–608, 629, 630; D3/272–274, D3/201, 203.1–203.8, 202

The ornamental design for a cooler, as shown and described.

CPC ..... F25D 3/14; F25D 3/08; F25D 3/16; F25D 3/00; F25D 3/06; F25D 2331/804; F45F 3/16; A47J 41/022; A47G 19/2288; A45C 9/00; A45C 11/20; A45C 5/14; B65D 81/3813; B65D 81/3823; B65D 81/3888; B65D 81/389; B65D 81/3816; B65D 81/3818; B65D 81/382; B65D 25/20; B65D 25/2841; A45F 3/26

**DESCRIPTION**

See application file for complete search history.

FIG. 1 is a front perspective view of a cooler design; FIG. 2 is a rear perspective view of the cooler design of FIG. 1;

FIG. 3 is a first side view of the cooler design of FIG. 1; FIG. 4 is a second side view of the cooler design of FIG. 1; FIG. 5 is a front view of the cooler design of FIG. 1; FIG. 6 is a rear view of the cooler design of FIG. 1; and, FIG. 7 is a top view of the cooler design of FIG. 1.

The broken line disclosure represents unclaimed portions of the cooler in which the design is embodied.

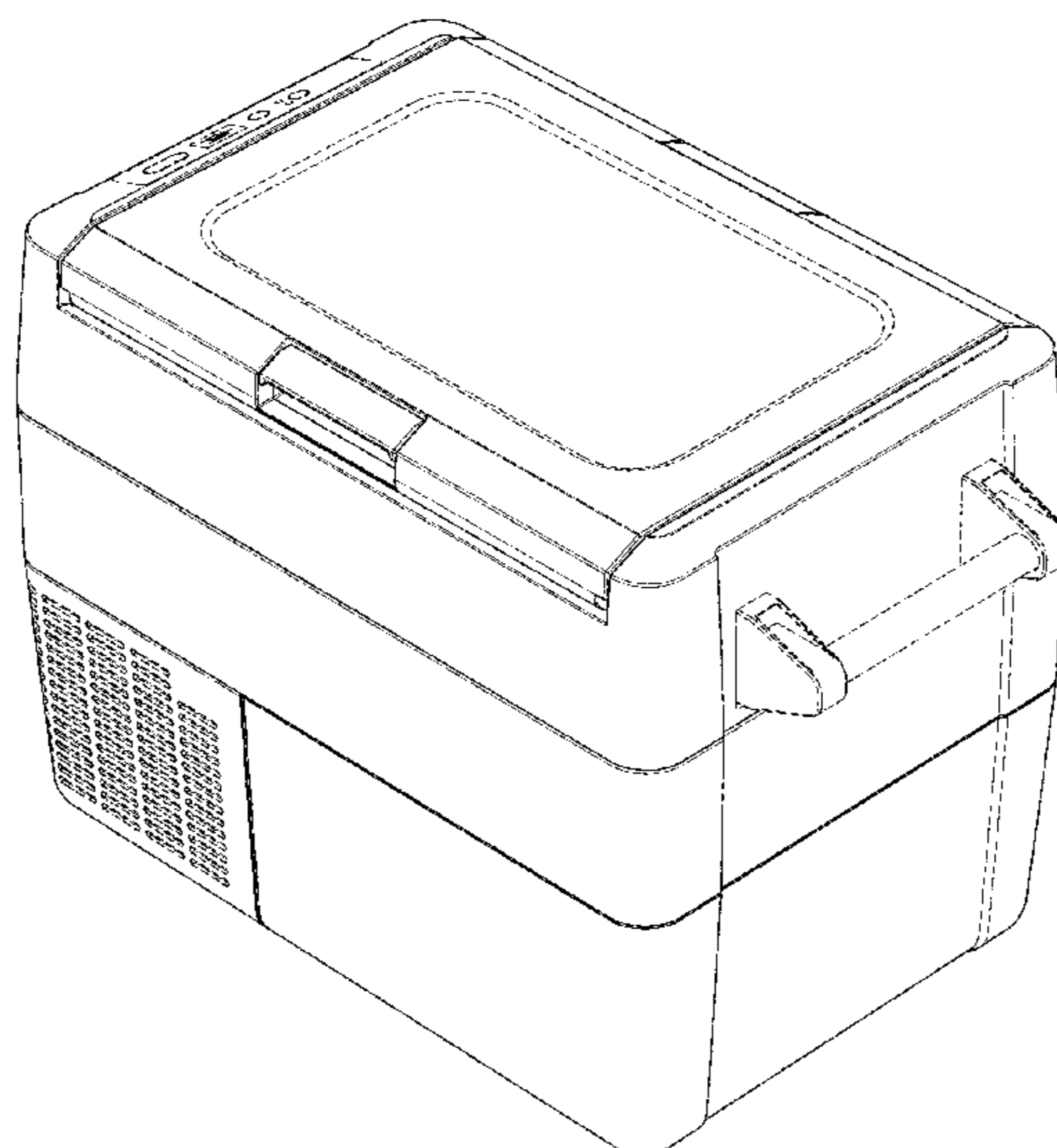
(56) **References Cited**

**U.S. PATENT DOCUMENTS**

3,979,007 A \* 9/1976 Thornbloom, Jr. .... A45C 11/20  
220/522

4,696,412 A \* 9/1987 McGowan ..... B65D 43/167  
16/257

**1 Claim, 7 Drawing Sheets**



(56)

**References Cited**

U.S. PATENT DOCUMENTS

D792,486 S 7/2017 Li et al.  
 D802,028 S 11/2017 Li  
 D802,029 S 11/2017 Li  
 D802,630 S 11/2017 Li et al.  
 D820,049 S 6/2018 Ahlstrom et al.  
 D836,993 S 1/2019 Meda et al.  
 D836,994 S 1/2019 Meda et al.  
 D844,386 S 4/2019 Ahlstrom et al.  
 2015/0369529 A1\* 12/2015 Monroe ..... F25D 3/08  
 62/457.2  
 2017/0023290 A1 1/2017 DeMuth et al.  
 2018/0141718 A1\* 5/2018 Ahlstrom ..... A45F 3/46  
 2019/0161240 A1 5/2019 Ahlstrom et al.

FOREIGN PATENT DOCUMENTS

CN 207081259 U 3/2018  
 CN 106233083 B 7/2019  
 CN 305240920 S 7/2019  
 CN 110191654 A 8/2019  
 CN 209893773 U 1/2020  
 CN 305553099 S 1/2020  
 DE 20110247 U1 12/2002  
 DE 202009015164 U1 3/2010  
 DE 202014000386 U1 5/2014  
 EM 005230802-0001 4/2018

EM 005230802-0002 4/2018  
 WO 2018095957 A1 5/2007  
 WO 2018233611 A1 12/2018

OTHER PUBLICATIONS

Notification of Supplemental Amendments for CN Design Application No. 2018305693373 dated Dec. 19, 2018.  
 Notification to Grant Patent right for CN Design Application No. 201830569337.3 dated Apr. 3, 2019.  
 Dometic Product Catalog, Portable Coolers, 2016.  
 Dometic Product Catalog, Portable Coolers, 2015.  
 Design U.S. Appl. No. 29/666,264 filed Oct. 11, 2018 titled "Cooler".  
 Design U.S. Appl. No. 29/670,885, filed Nov. 20, 2018 titled "Cooler".  
 Design U.S. Appl. No. 29/670,888, filed Nov. 20, 2018 titled "Cooler".  
 Design U.S. Appl. No. 29/697,069, filed Jul. 3, 2019 titled "Cooler".  
 Design U.S. Appl. No. 29/697,070, filed Jul. 3, 2019 titled "Cooler".  
 Design U.S. Appl. No. 29/697,071, filed Jul. 3, 2019 titled "Cooler".  
 Design U.S. Appl. No. 29/605,186, filed May 24, 2017 titled "Refrigerating Apparatus".  
 Design U.S. Appl. No. 29/650,910, filed Jun. 11, 2018 titled "Zipper Pull".  
 Design U.S. Appl. No. 29/650,906, filed Jun. 11, 2018 titled "Soft Bag Cooler".  
 Design U.S. Appl. No. 29/743,180 entitled "Cooler" filed Jul. 20, 2020.

\* cited by examiner

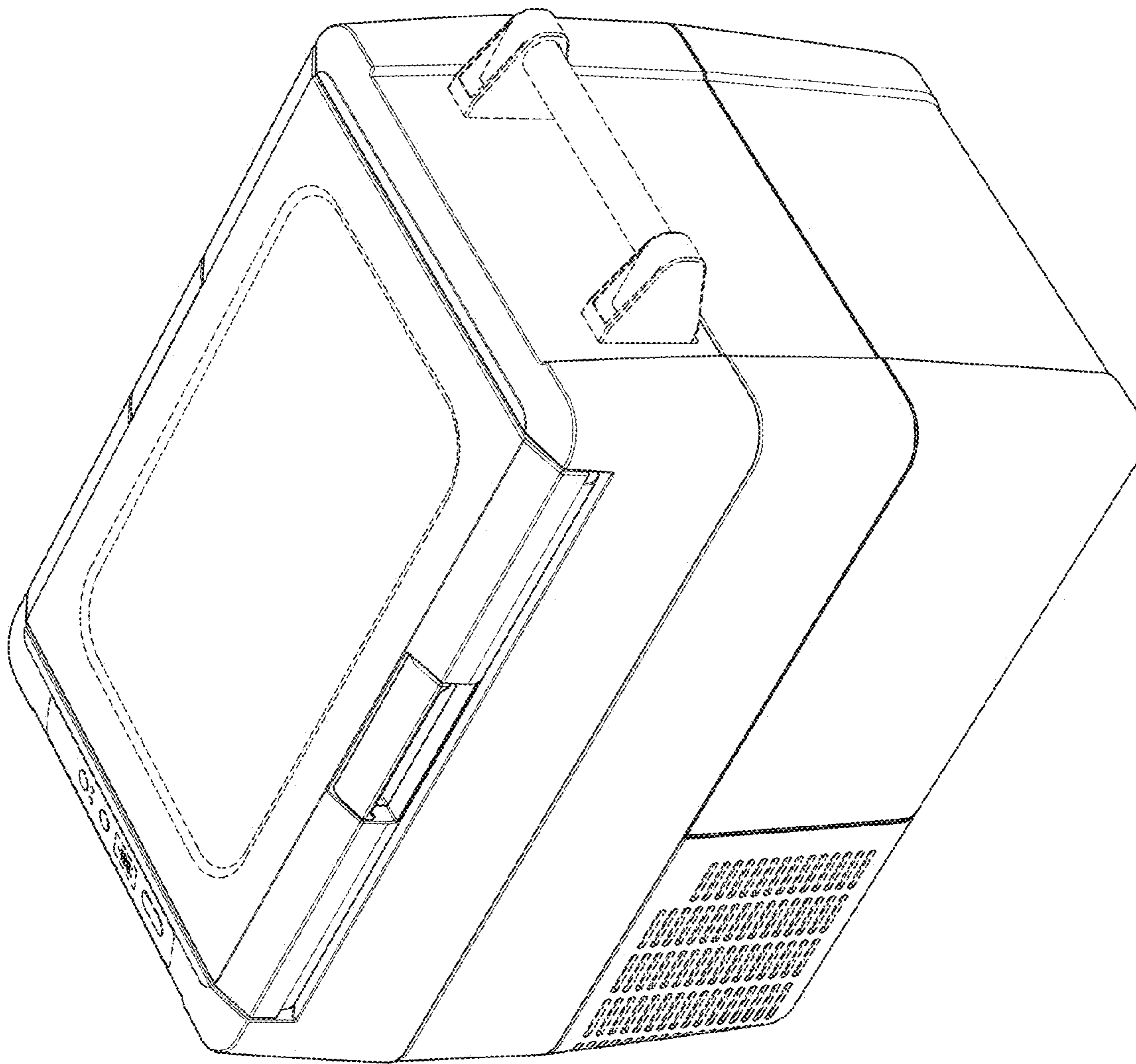


FIG. 1

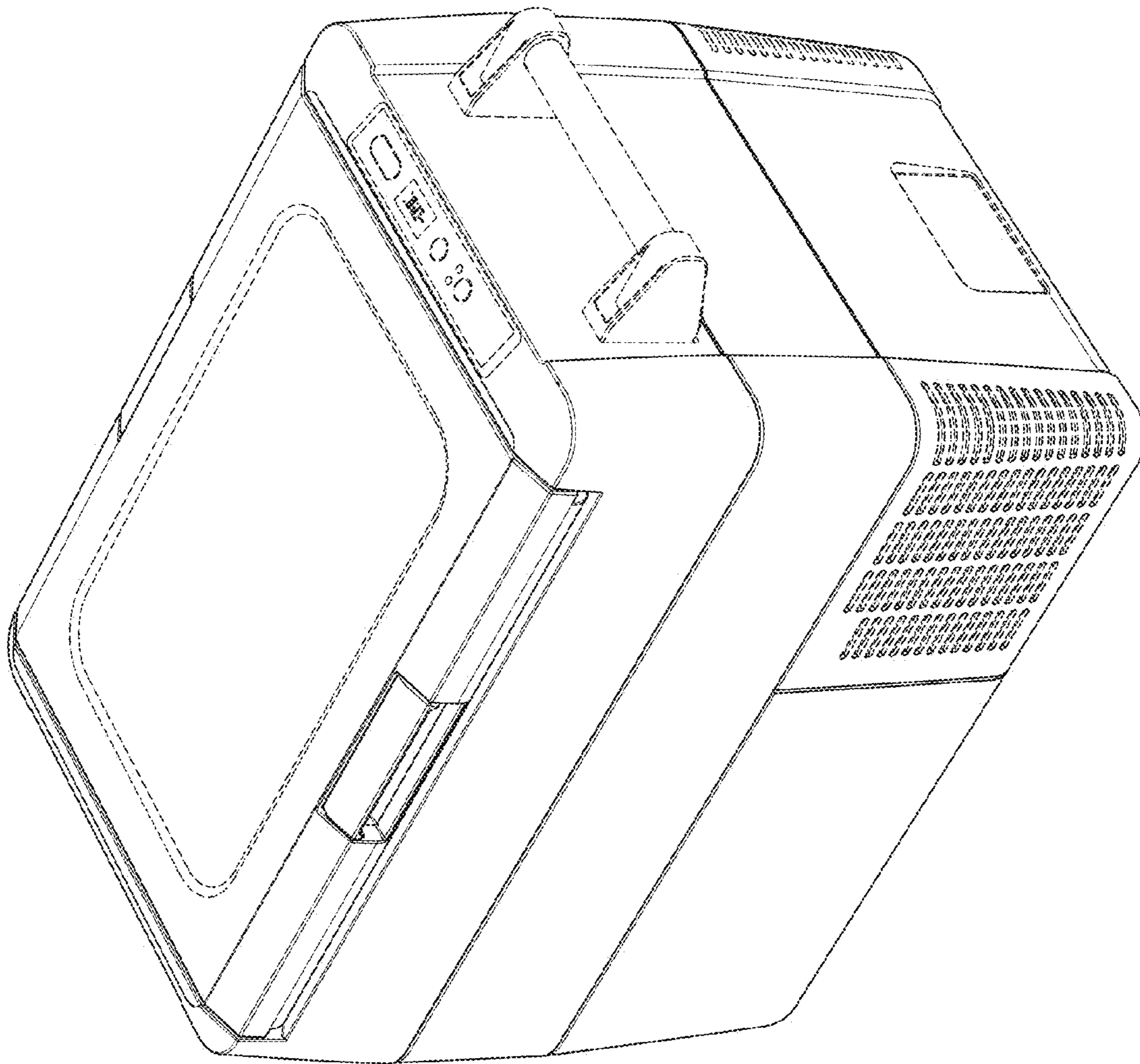


FIG. 2

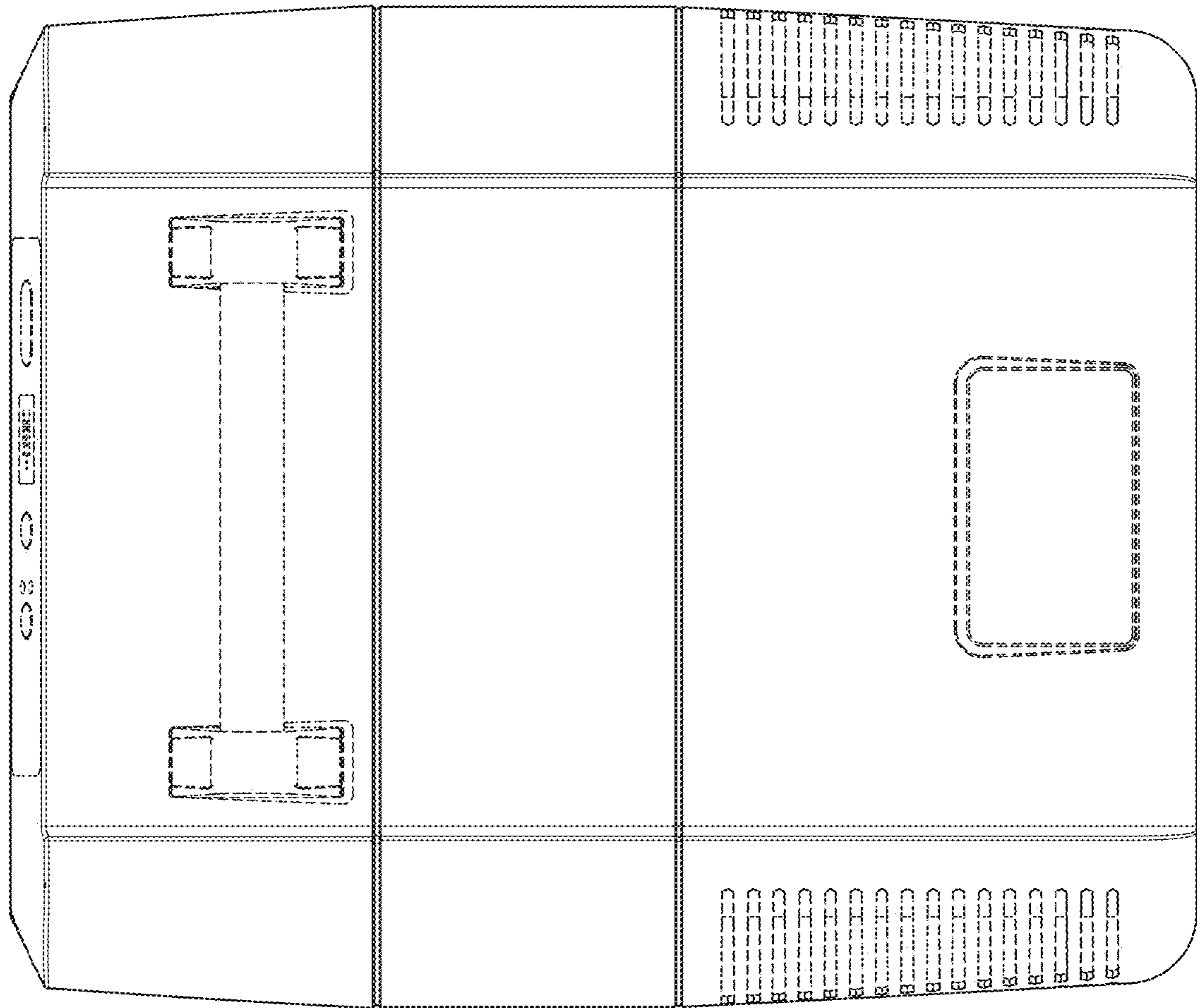


FIG. 3

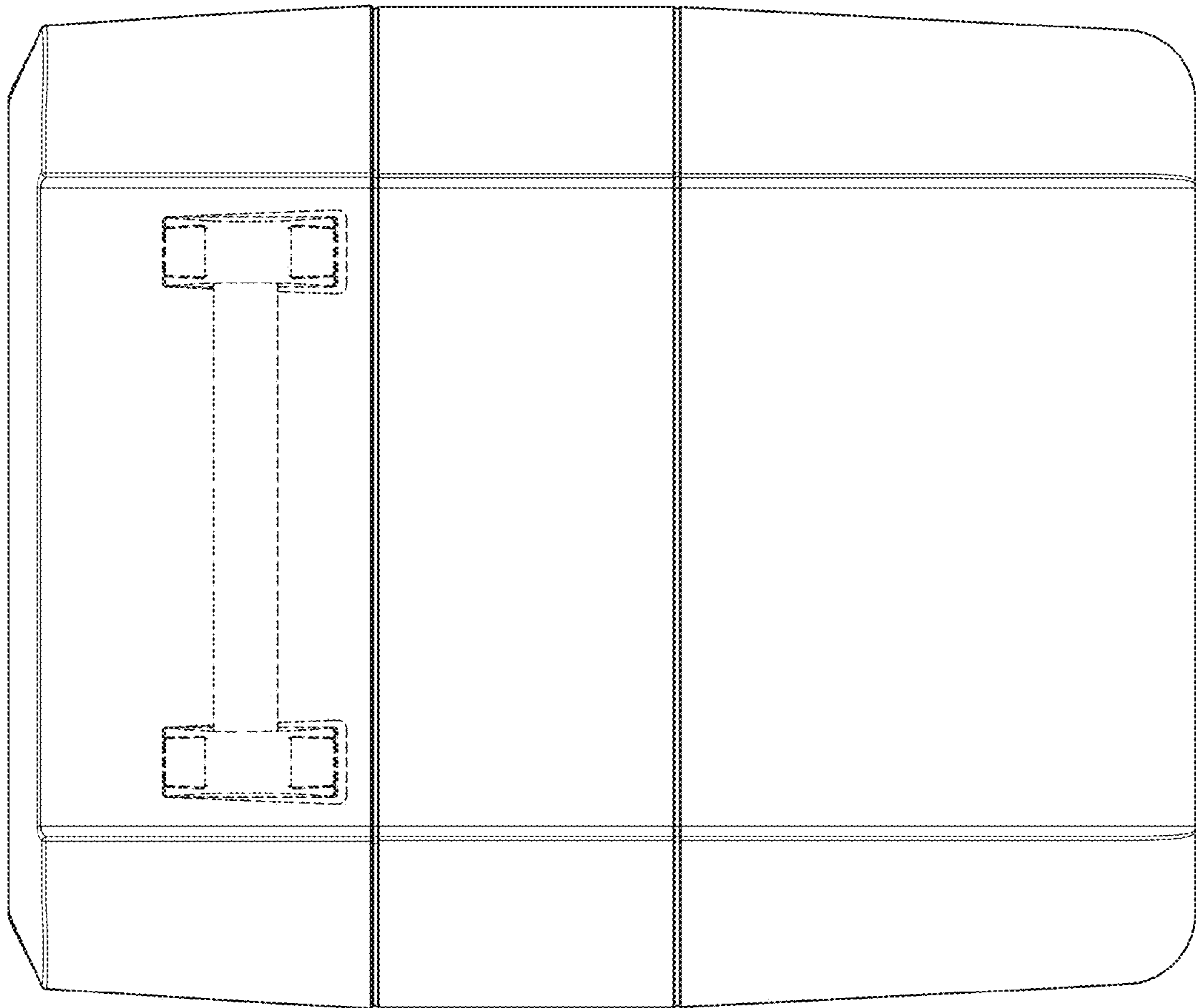


FIG. 4

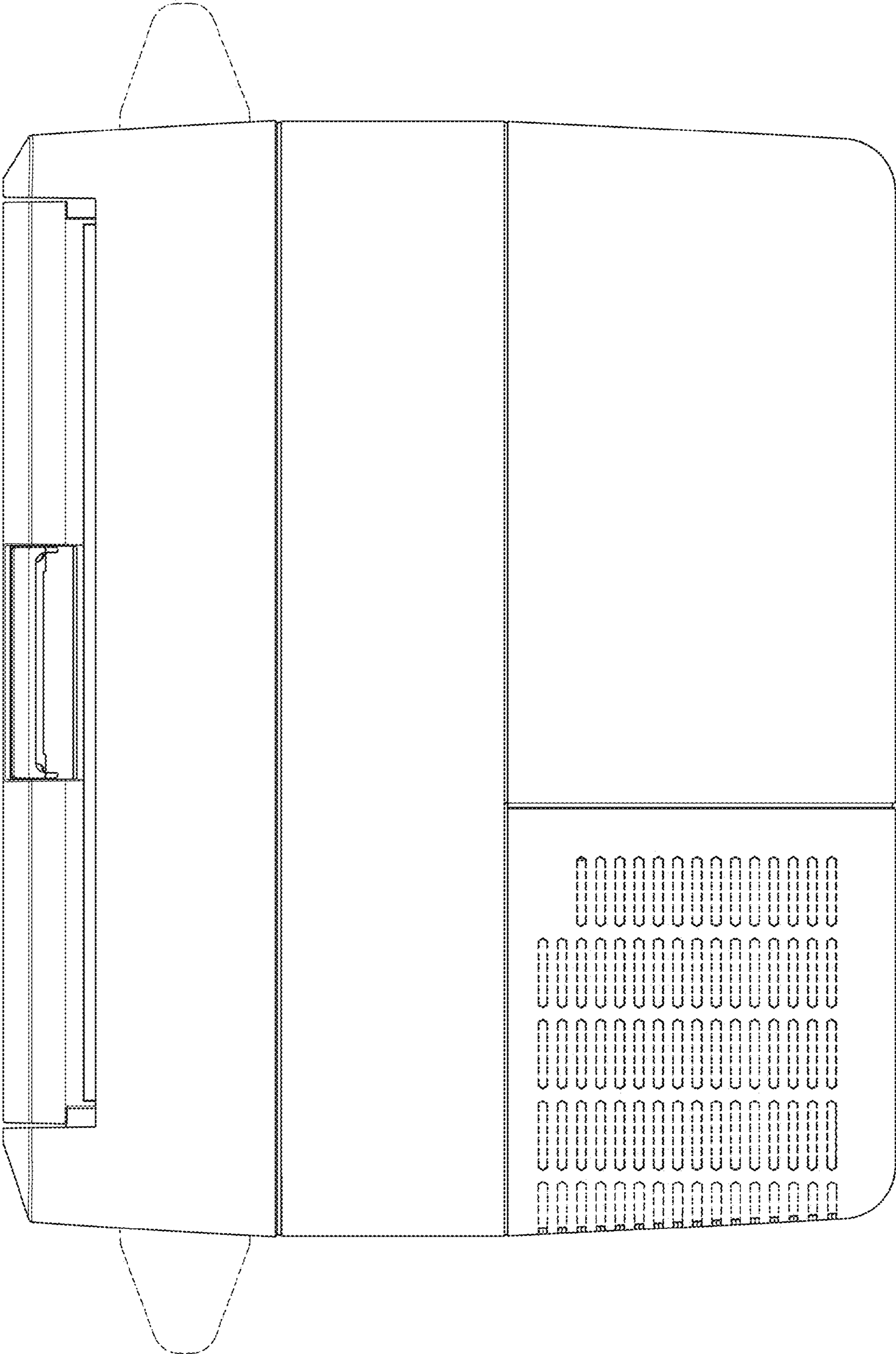


FIG. 5

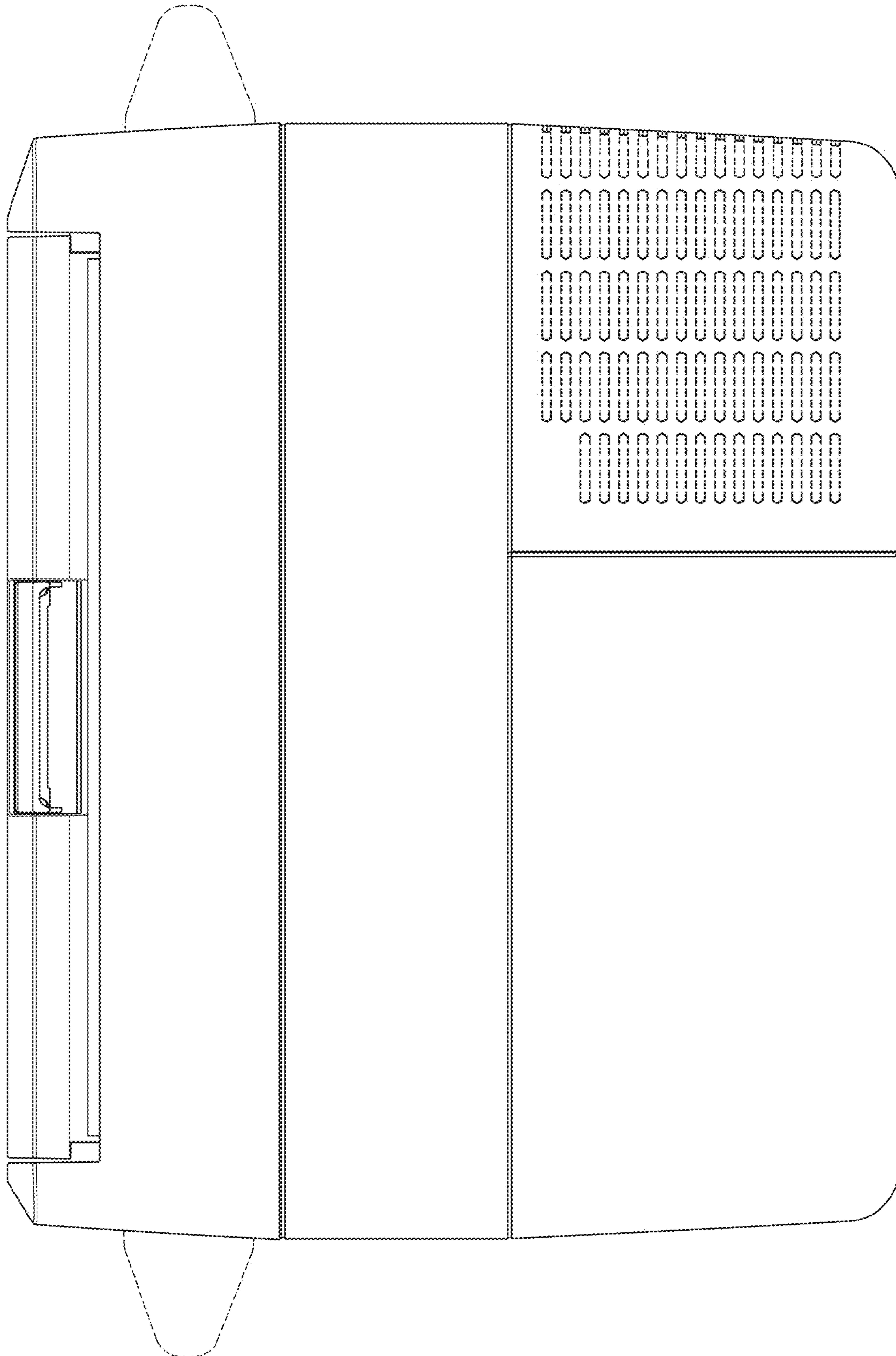


FIG. 6



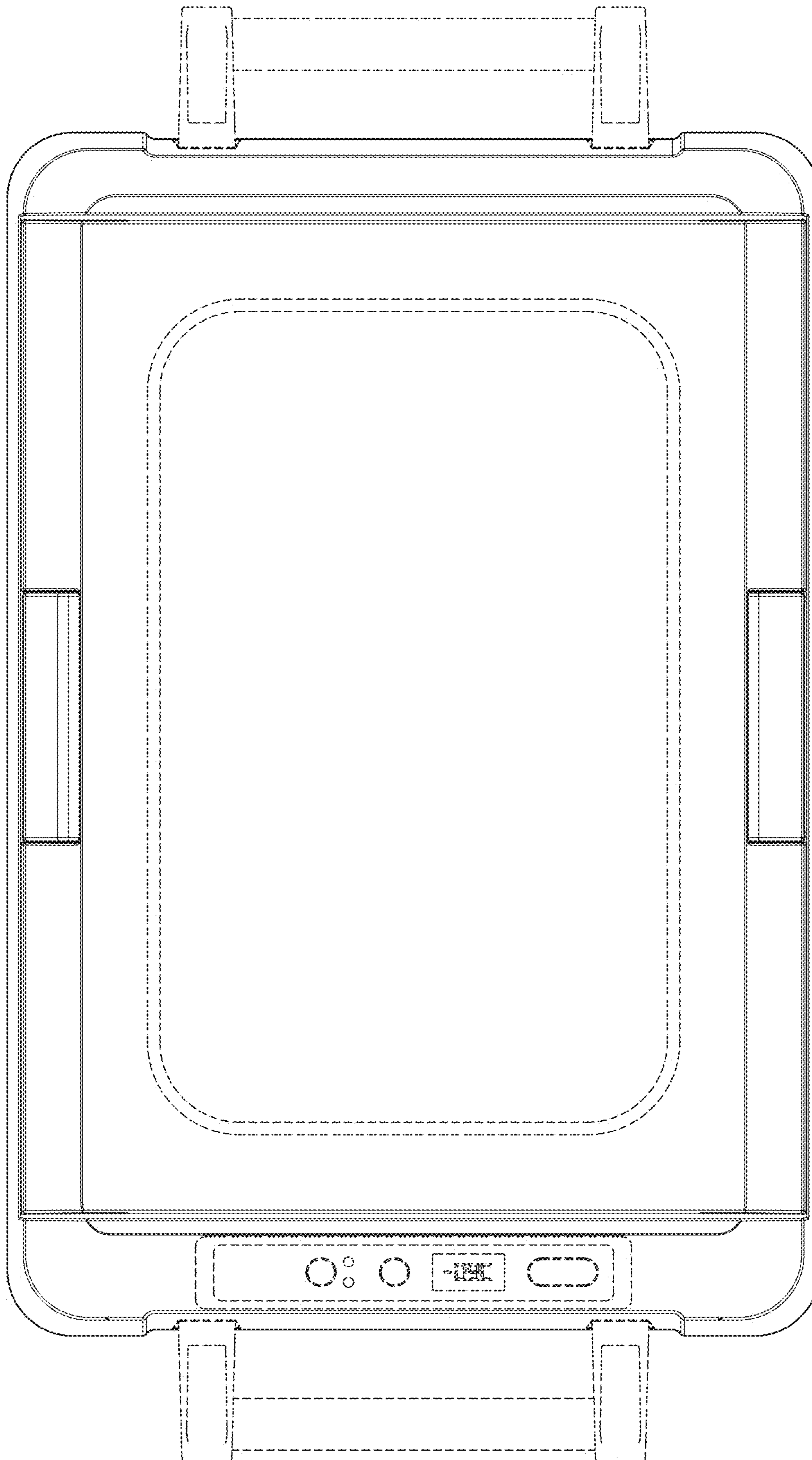


FIG. 7