



US00D901982S

(12) **United States Design Patent** (10) **Patent No.:** **US D901,982 S**
Dittrich (45) **Date of Patent:** **** Nov. 17, 2020**

(54) **BASKET**

(71) Applicant: **Spectrum Diversified Designs, LLC,**
Streetsboro, OH (US)

(72) Inventor: **Megan Leigh Dittrich,** Twinsburg, OH
(US)

(73) Assignee: **Spectrum Diversified Designs, LLC,**
Streetsboro, OH (US)

(**) Term: **15 Years**

(21) Appl. No.: **29/676,055**

(22) Filed: **Jan. 8, 2019**

(51) **LOC (12) Cl.** **07-07**

(52) **U.S. Cl.**
USPC **D7/601**

(58) **Field of Classification Search**
USPC D7/601, 704, 600.1–600.4, 584–587;
D3/304, 306; D6/676.5, 677.5, 678,
D6/678.4, 680.3; D19/76

CPC A47F 7/0071; A47F 7/00; A47F 7/022;
A47F 7/02; A47F 5/01; A47L 19/04;
F16M 11/10; F16M 13/00; A47B 75/00;
B65D 25/32; B65D 1/24; B65D 1/36;
A47G 19/02; A47G 19/025; A45C 11/20
See application file for complete search history.

(56) **References Cited**

U.S. PATENT DOCUMENTS

2,732,096 A * 1/1956 Siciliano B65D 25/32
220/769
D567,030 S * 4/2008 Goodman D3/306

D616,252 S * 5/2010 Goodman D7/601
D620,711 S * 8/2010 Hertaus D3/306
D646,933 S * 10/2011 Goodman D7/601
D679,544 S * 4/2013 Goodman D7/501
D765,474 S * 9/2016 Khaitan D7/601

OTHER PUBLICATIONS

Twist Napkin Holder, [online], [retrieved on Dec. 12, 2018]. Retrieved
from Internet, <URL: [https://www.spectrumdiversified.com/products/
Twist-Napkin-Holder](https://www.spectrumdiversified.com/products/Twist-Napkin-Holder)>.

* cited by examiner

Primary Examiner — Terry A Wallace

(74) *Attorney, Agent, or Firm* — Renner, Otto, Boisselle
& Sklar, LLP

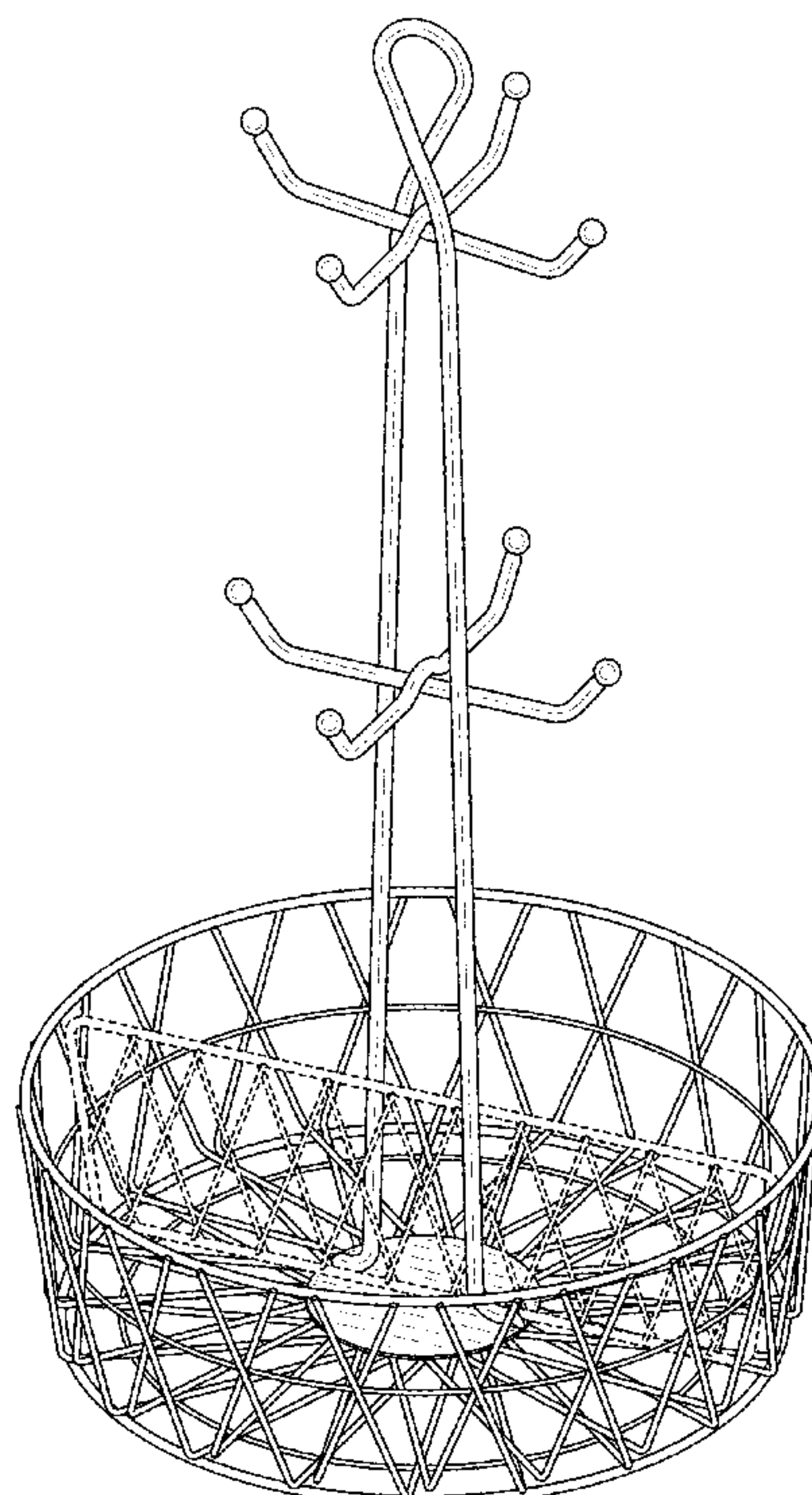
(57) **CLAIM**

The ornamental design for a basket, as shown and described.

DESCRIPTION

FIG. 1 is a top, right side, front perspective view of a basket
showing my new design;
FIG. 2 is a right side elevation view thereof;
FIG. 3 is a left side elevation view thereof;
FIG. 4 is a front elevation view thereof;
FIG. 5 is a rear elevation view thereof;
FIG. 6 is a top plan view thereof; and,
FIG. 7 is a bottom plan view thereof.
The broken line showing is for the purpose of illustrating
unclaimed portions of the article and forms no part of the
claimed design.

1 Claim, 4 Drawing Sheets



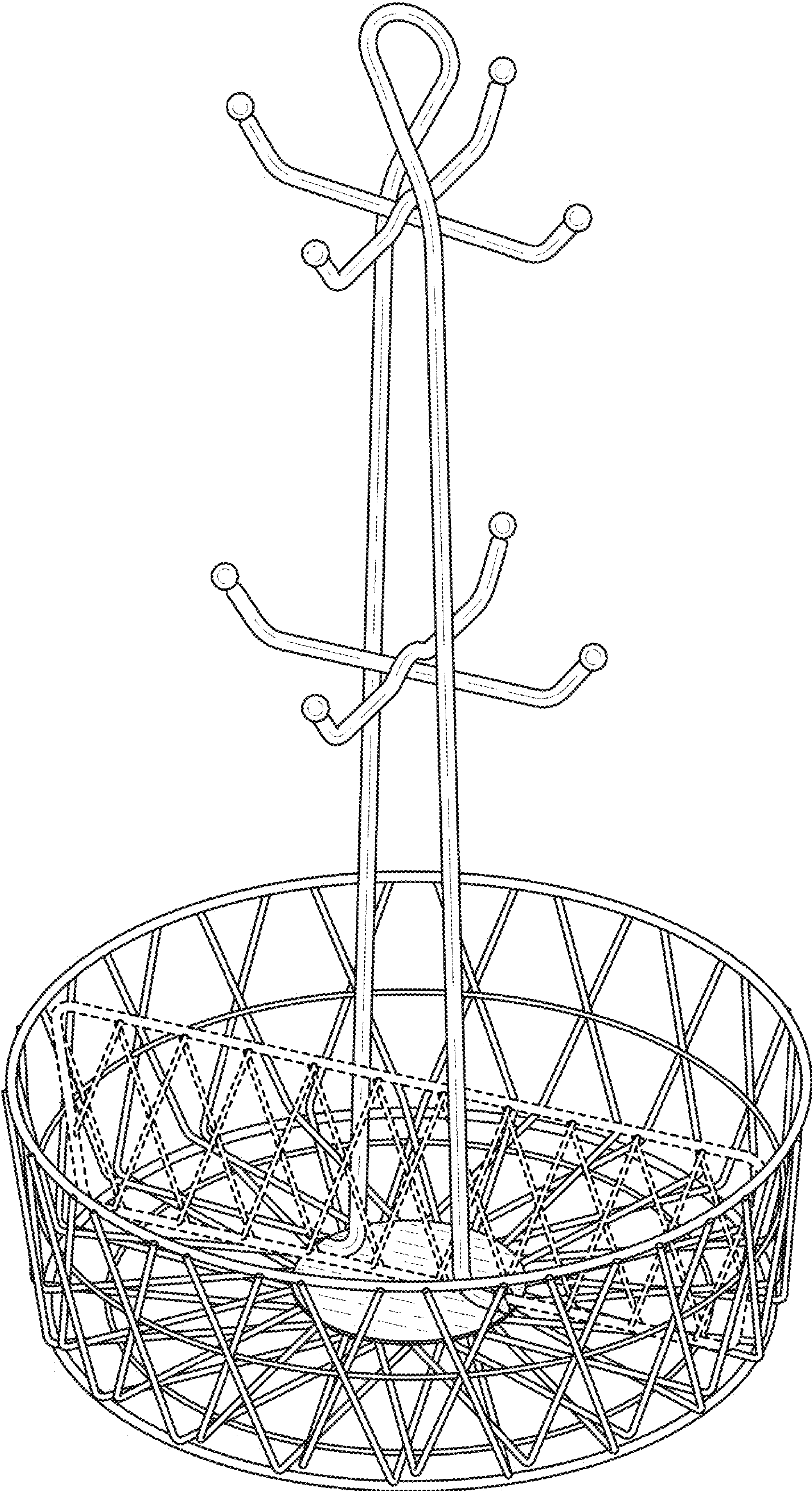


FIG. 1

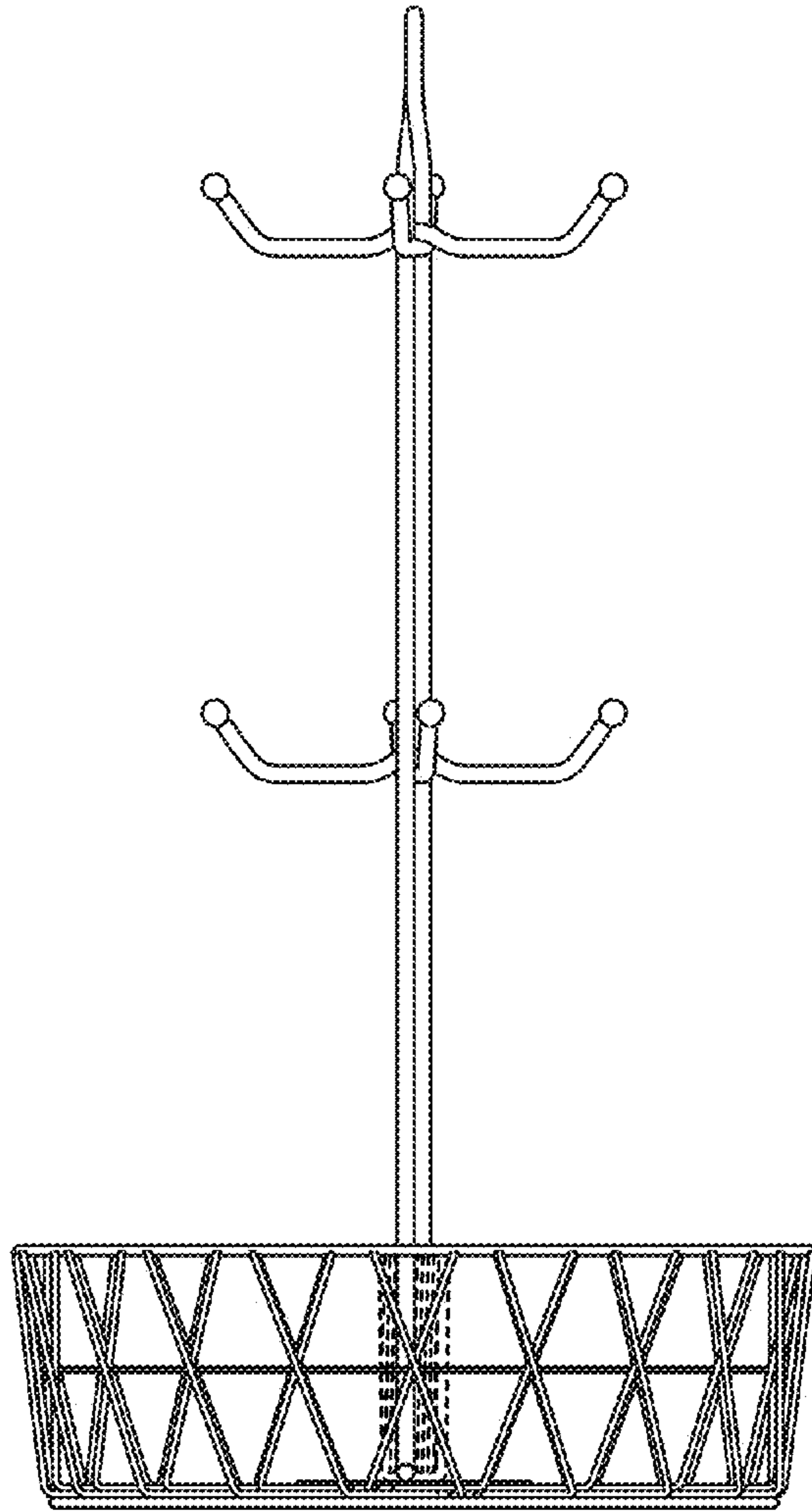


FIG. 2

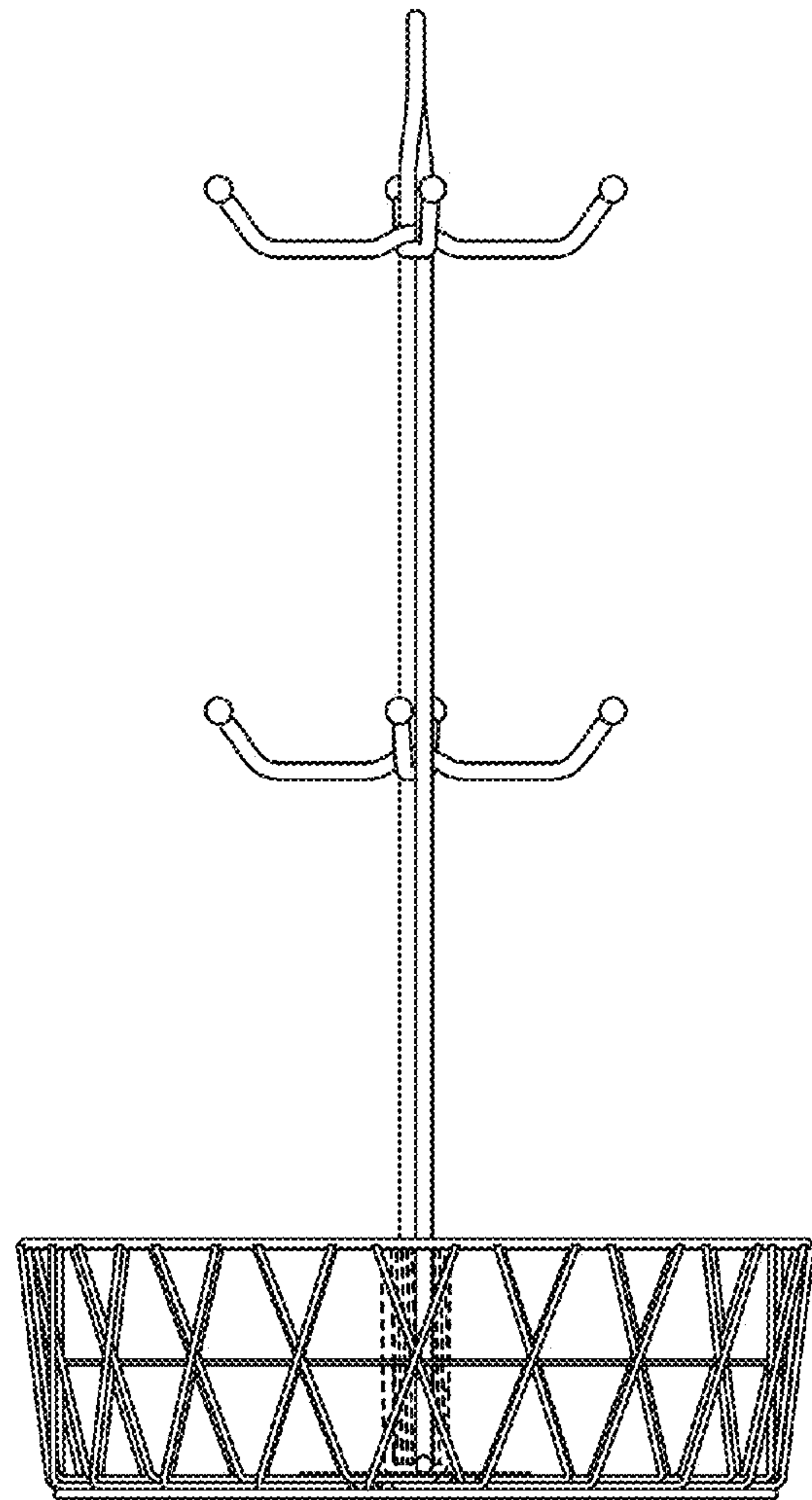


FIG. 3

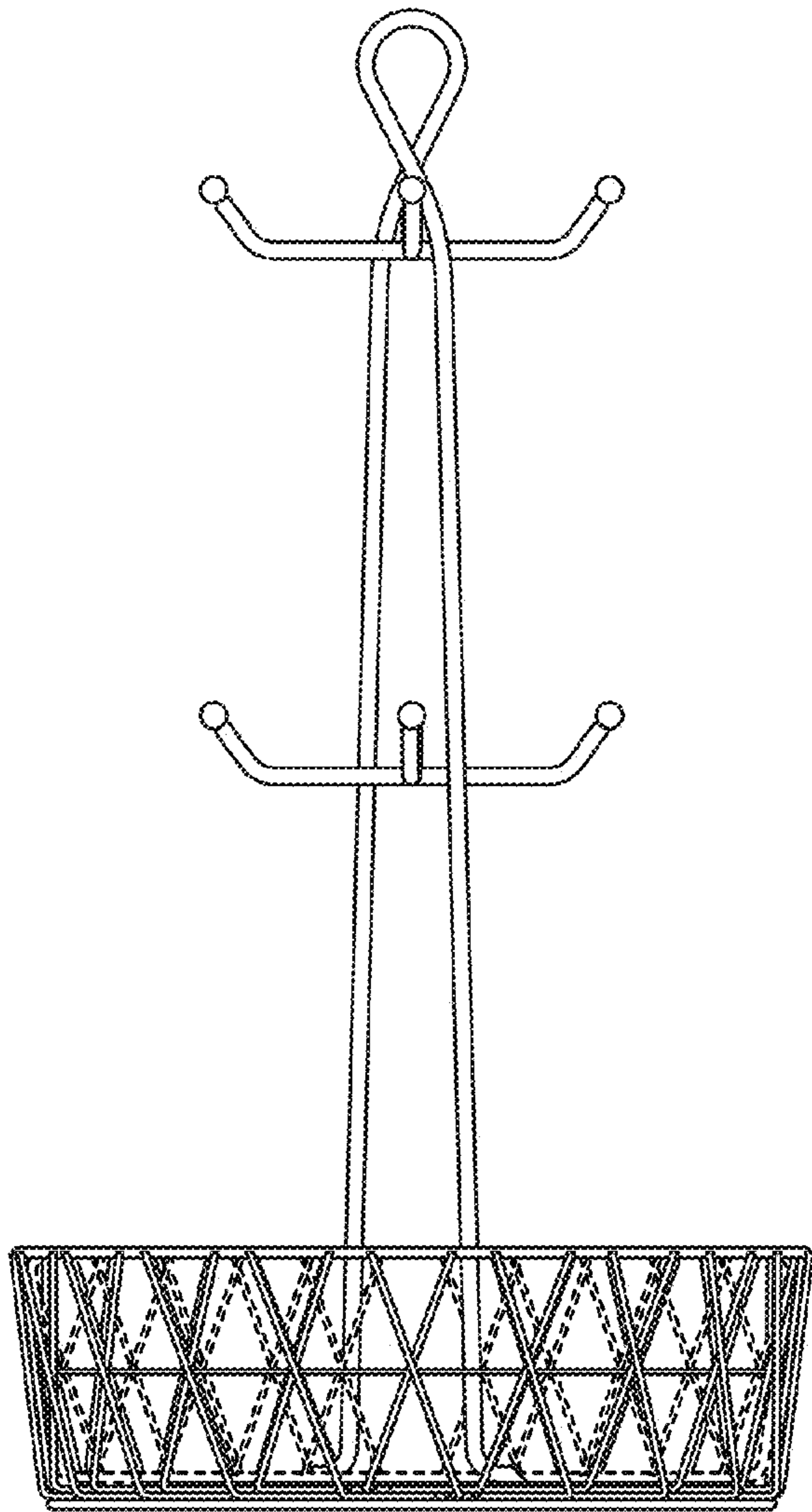


FIG. 4

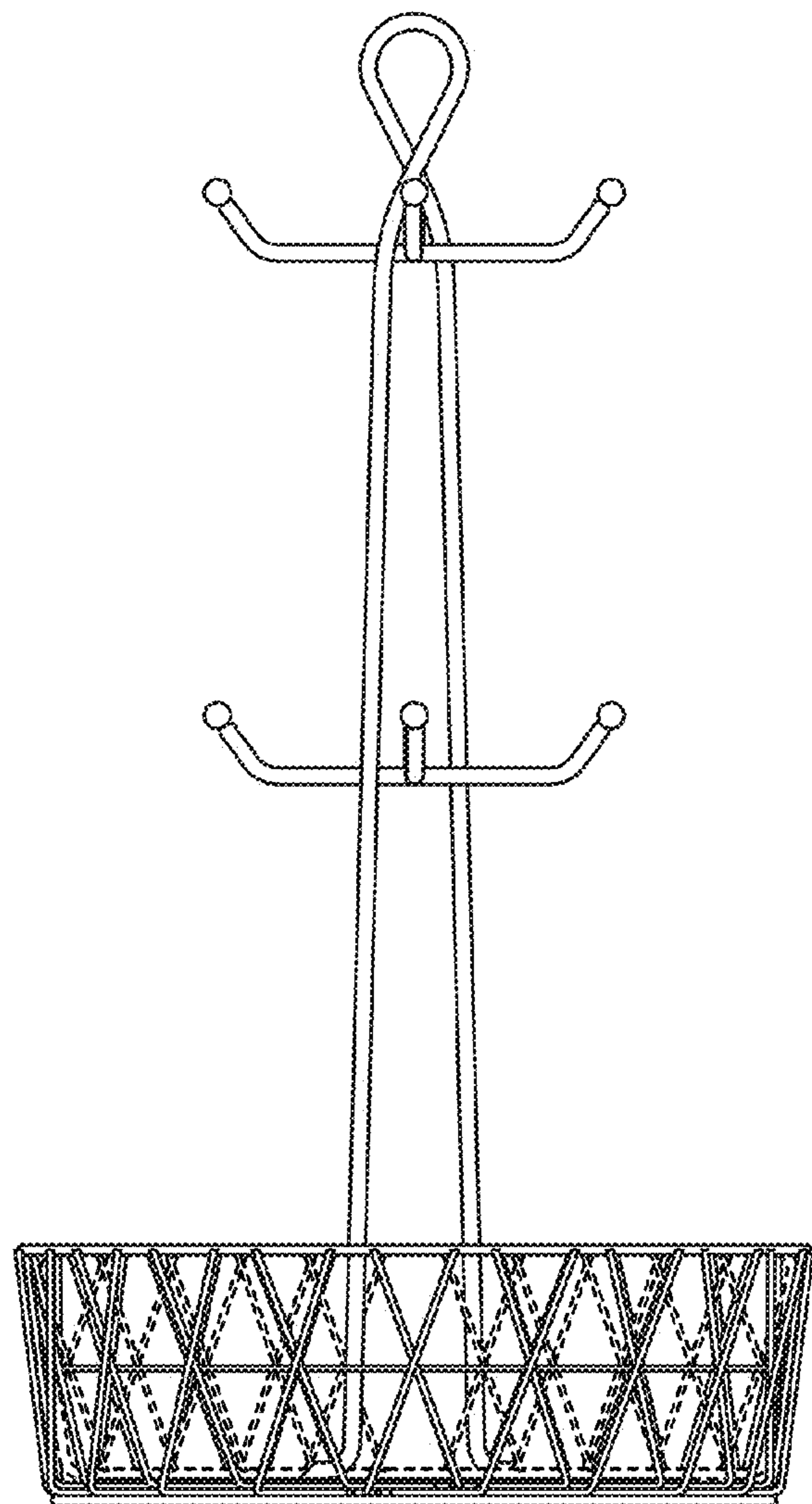


FIG. 5

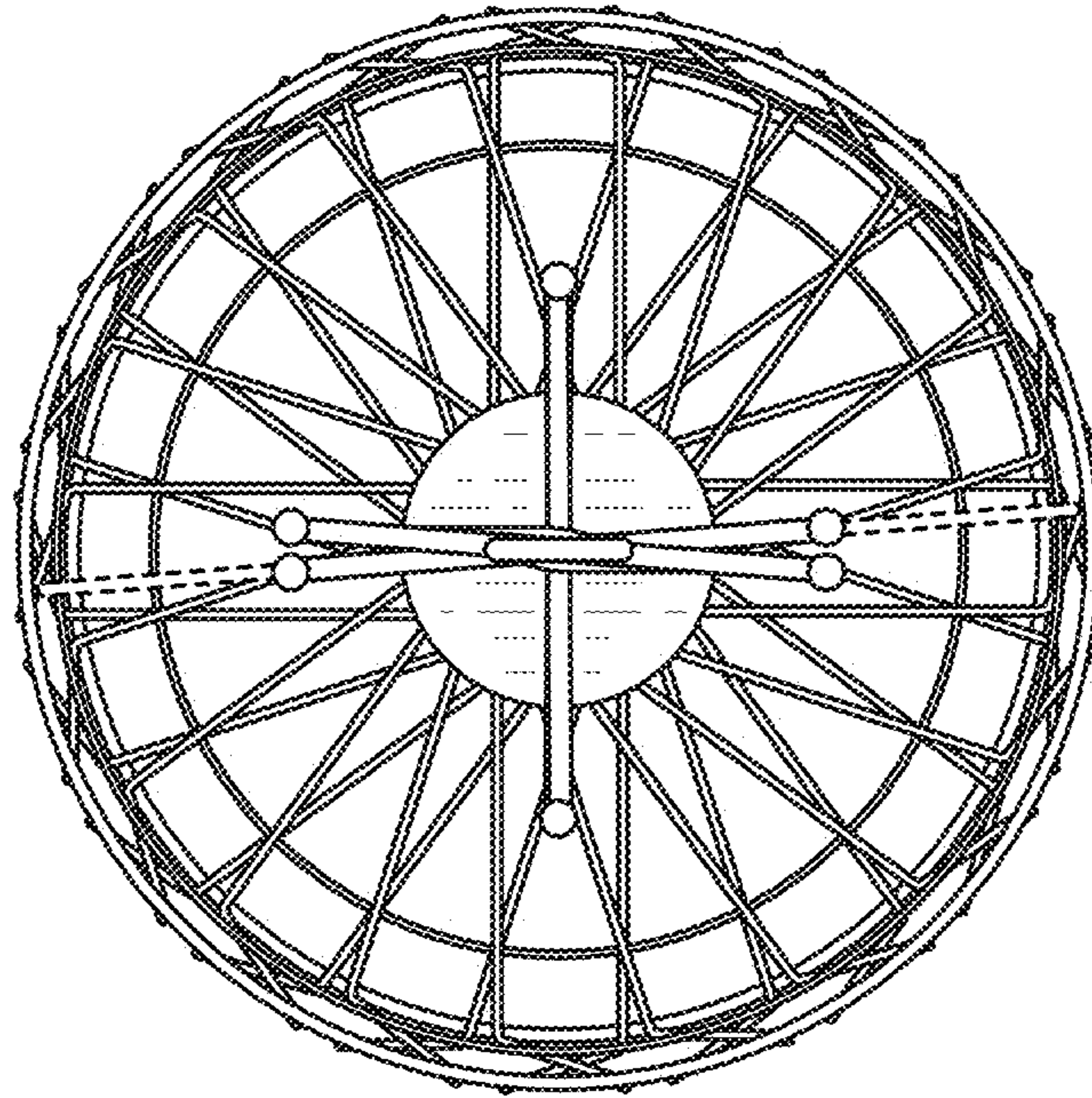


FIG. 6

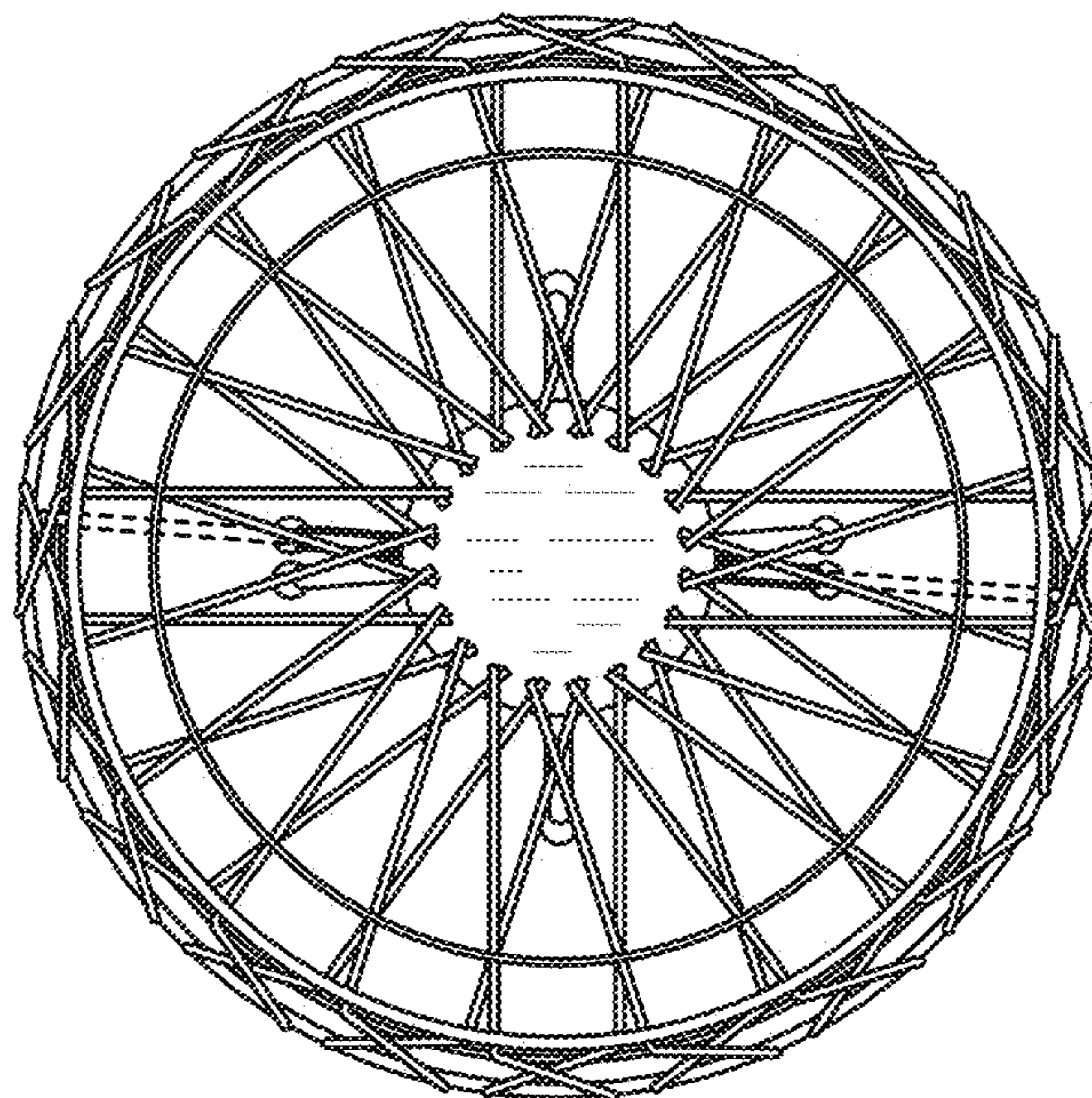


FIG. 7