



US00D901981S

(12) **United States Design Patent** (10) **Patent No.:** **US D901,981 S**
Pangilinan et al. (45) **Date of Patent:** **** Nov. 17, 2020**

(54) **FOOD CONTAINER**

(71) Applicant: **Skip Hop, Inc.**, New York, NY (US)

(72) Inventors: **Malorie Pangilinan**, Sea Bright, NJ (US); **Erin Knowlton**, Brooklyn, NY (US); **Janet Villano**, Jersey City, NJ (US)

(73) Assignee: **SKIP HOP, INC.**, New York, NY (US)

(**) Term: **15 Years**

(21) Appl. No.: **29/654,342**

(22) Filed: **Jun. 22, 2018**

(51) **LOC (12) Cl.** **07-01**

(52) **U.S. Cl.**
USPC **D7/554.3**

(58) **Field of Classification Search**
USPC D7/500, 505, 541–543, 545, 546, 549, D7/550.1, 552.1, 553.1, 553.2, 553.6, D7/554.2, 554.3; D9/424, 761
CPC ... B65D 1/34; B65D 1/36; B65D 1/00; B65D 5/00; B65D 21/00; B65D 2501/24554
See application file for complete search history.

(56) **References Cited**

U.S. PATENT DOCUMENTS

- 3,107,027 A * 10/1963 Hong B65D 43/0212
220/23.8
- 3,244,537 A * 4/1966 Cease A47G 23/06
426/393
- D339,030 S * 9/1993 Bitel, Sr. D12/419
- D395,985 S * 7/1998 Krupa D7/541
- D415,422 S * 10/1999 McCann D7/549
- D556,055 S * 11/2007 Brown D7/504
- D610,876 S * 3/2010 Busby D7/554.2
- D612,211 S * 3/2010 Busby D7/554.3

(Continued)

Primary Examiner — Kelley A Donnelly

(74) *Attorney, Agent, or Firm* — Stephen J. Weyer, Esq.; James R. Hayne, Esq.; Stites & Harbison, PLLC

(57) **CLAIM**

The ornamental design for a food container, as shown and described.

DESCRIPTION

FIG. 1 is a perspective view taken from the front, right side, and bottom side of a first generic embodiment of the food container of the present design with a removable bowl stacked on a plate.

FIG. 2 is a front view of the food container of FIG. 1.

FIG. 3 is a right side elevation view of the food container of FIG. 1.

FIG. 4 is a left side elevation view of the food container of FIG. 1.

FIG. 5 is a top view of the food container of FIG. 1.

FIG. 6 is a bottom view of the food container of FIG. 1.

FIG. 7 is a rear view of the food container of FIG. 1.

FIG. 8 is a perspective view taken from the front, right side, and bottom side of another configuration of the food container of FIG. 1 in which the removable bowl is positioned next to the plate.

FIG. 9 is a perspective view taken from the front, right side, and bottom side of a second generic embodiment of the food container of the present design similar to the food container of FIG. 1 except there is no removable bowl.

FIG. 10 is a front view of the food container of FIG. 9.

FIG. 11 is a right side elevation view of the food container of FIG. 9.

FIG. 12 is a left side elevation view of the food container of FIG. 9.

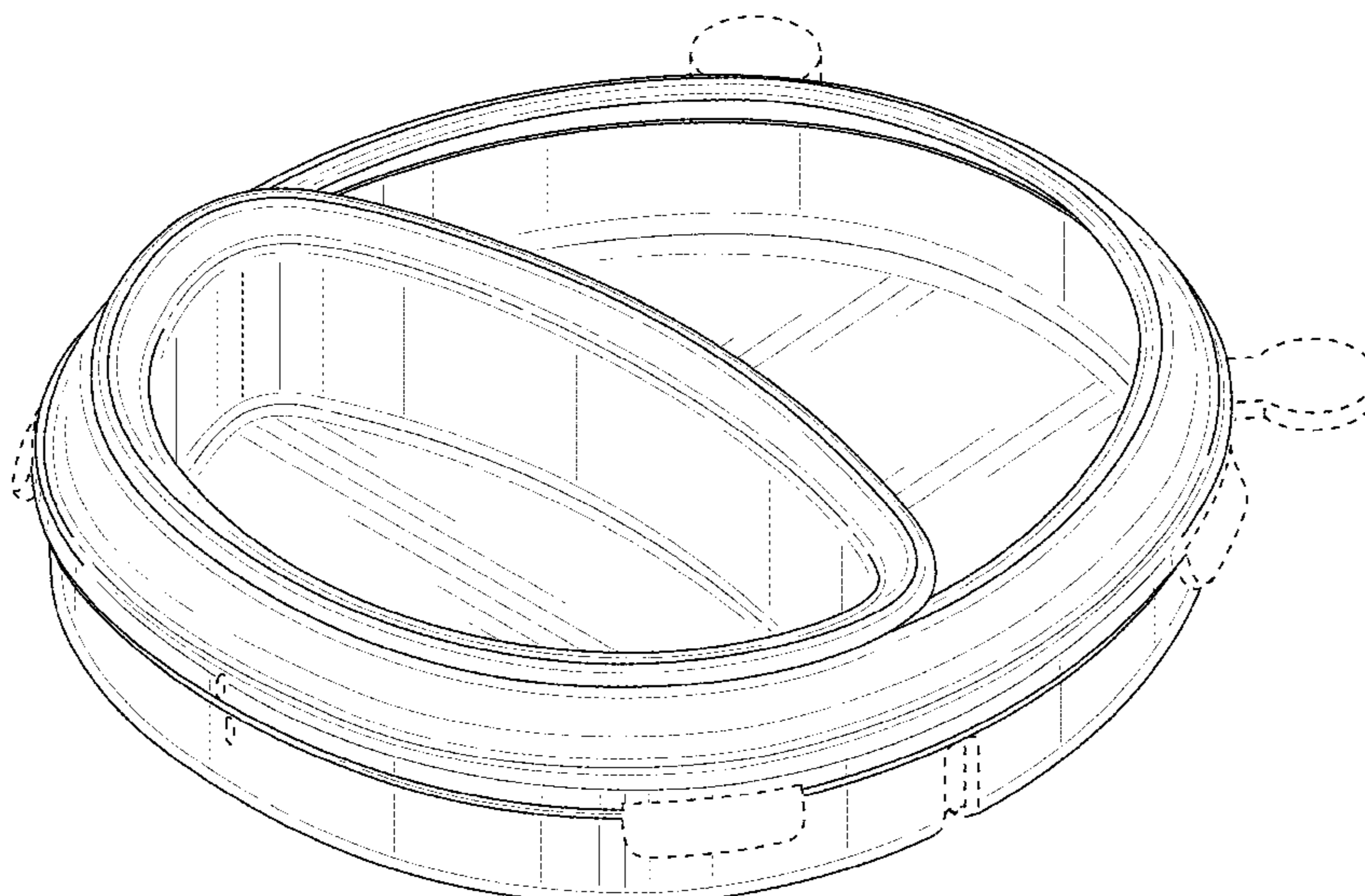
FIG. 13 is a top view of the food container of FIG. 9.

FIG. 14 is a bottom view of the food container of FIG. 9; and,

FIG. 15 is a rear view of the food container of FIG. 9.

Elements drawn in dash-dash broken lines are included for illustrating portions of the food container, and form no part of the claimed design.

1 Claim, 15 Drawing Sheets



(56)

References Cited

U.S. PATENT DOCUMENTS

D639,000	S	*	5/2011	Weber	D30/161
D650,237	S	*	12/2011	McComas	D7/546
D707,085	S	*	6/2014	Carmichael	D7/554.2
D778,154	S	*	2/2017	Strachan	D7/554.3
D829,509	S	*	10/2018	Malak	D7/553.1
D883,749	S	*	5/2020	Pawluskiewicz	D7/554.3

* cited by examiner

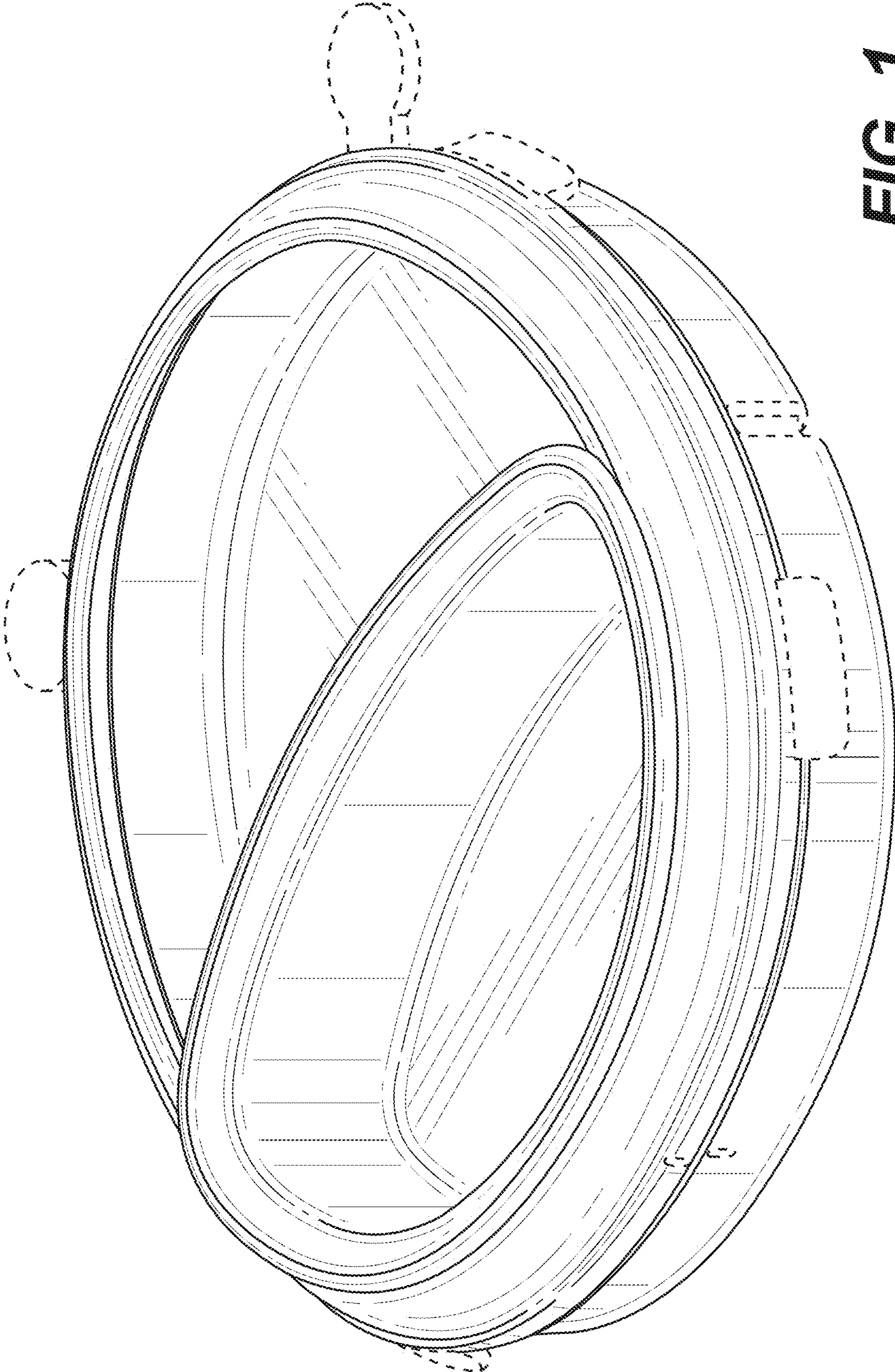


FIG. 1

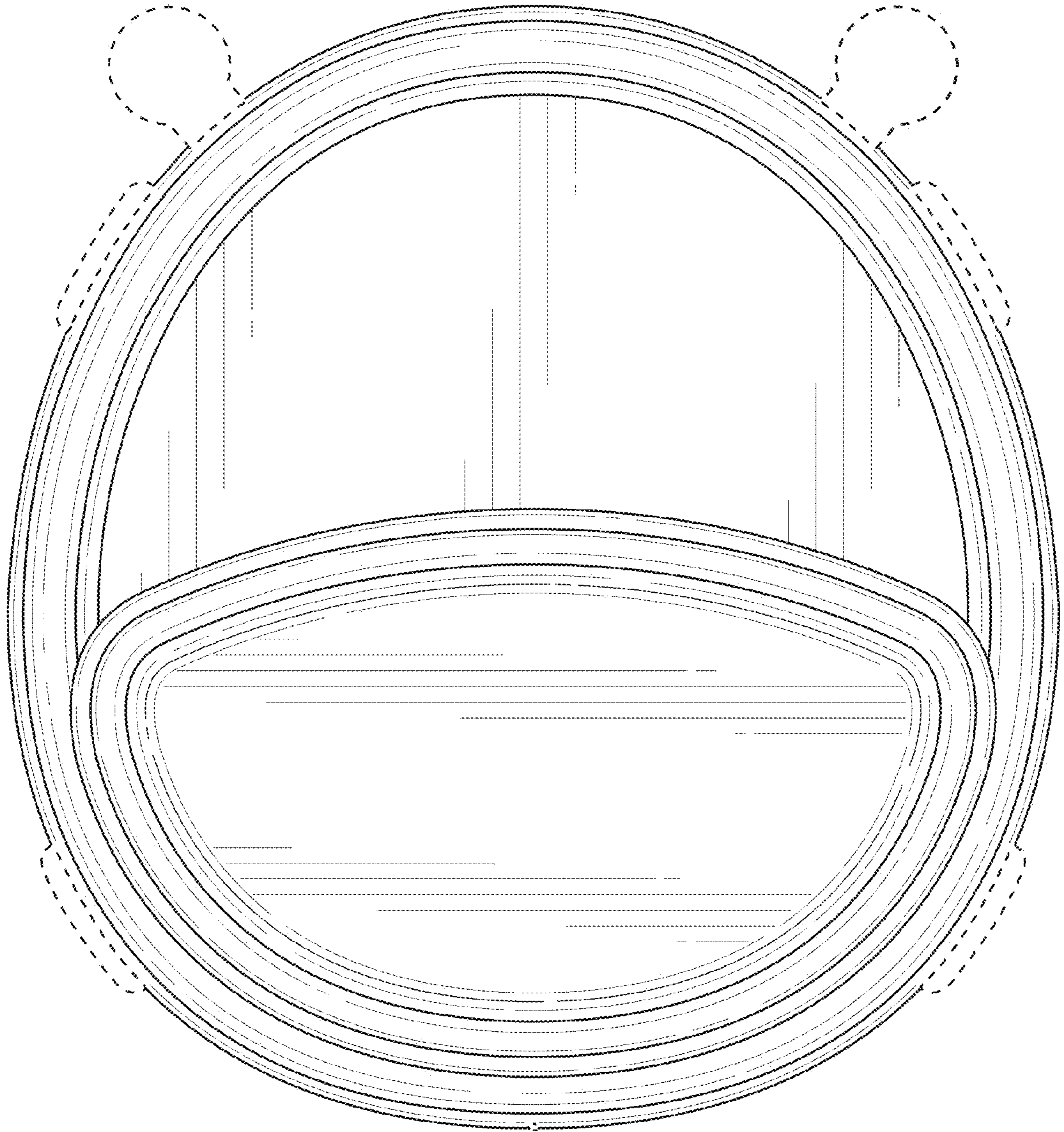


FIG. 2

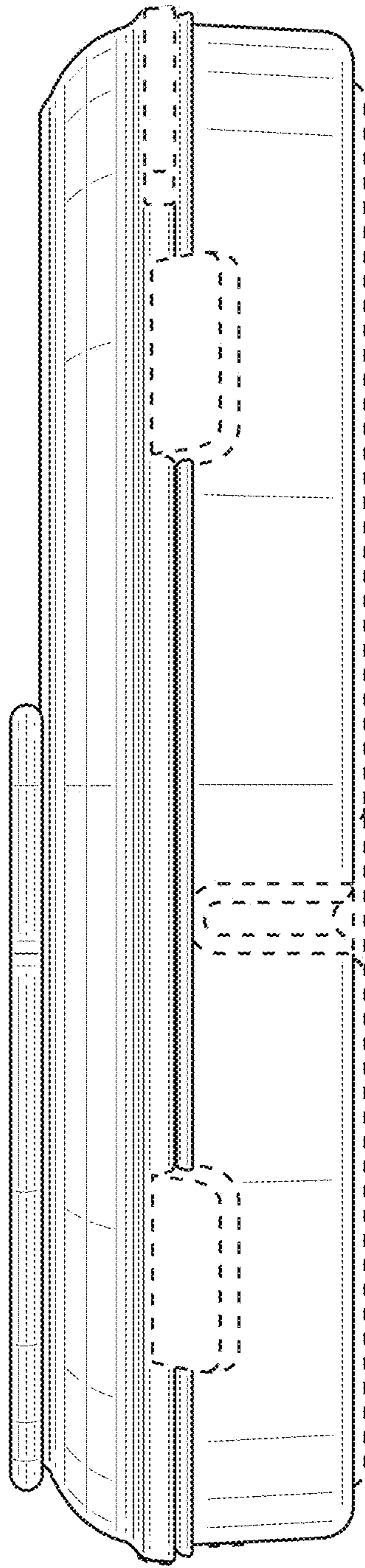


FIG. 3

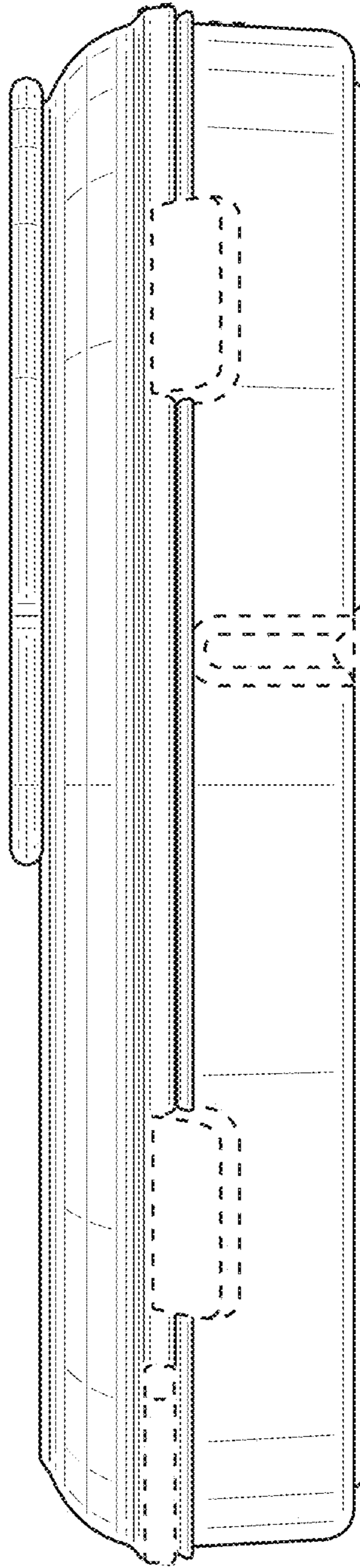


FIG. 4

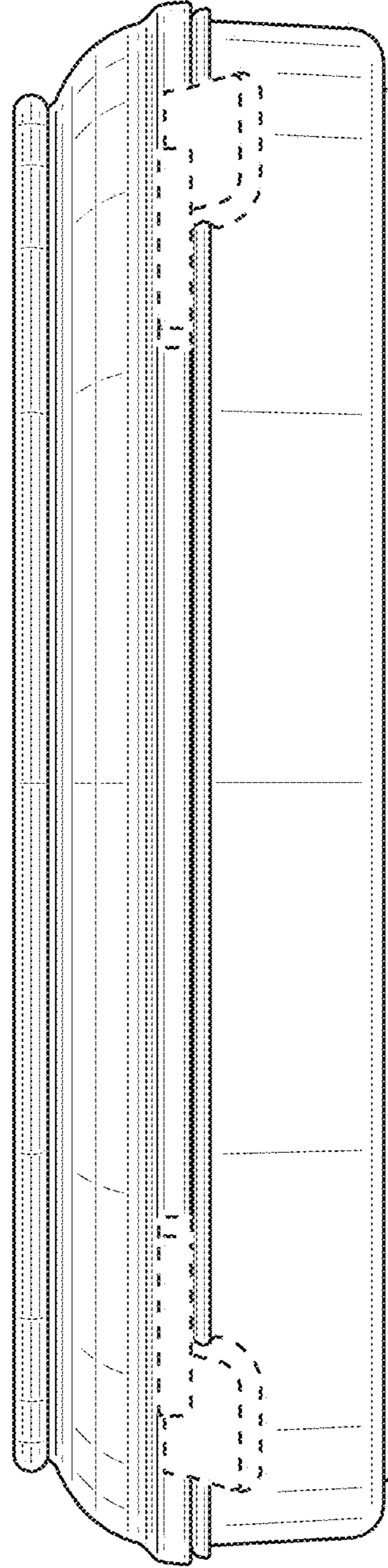


FIG. 5

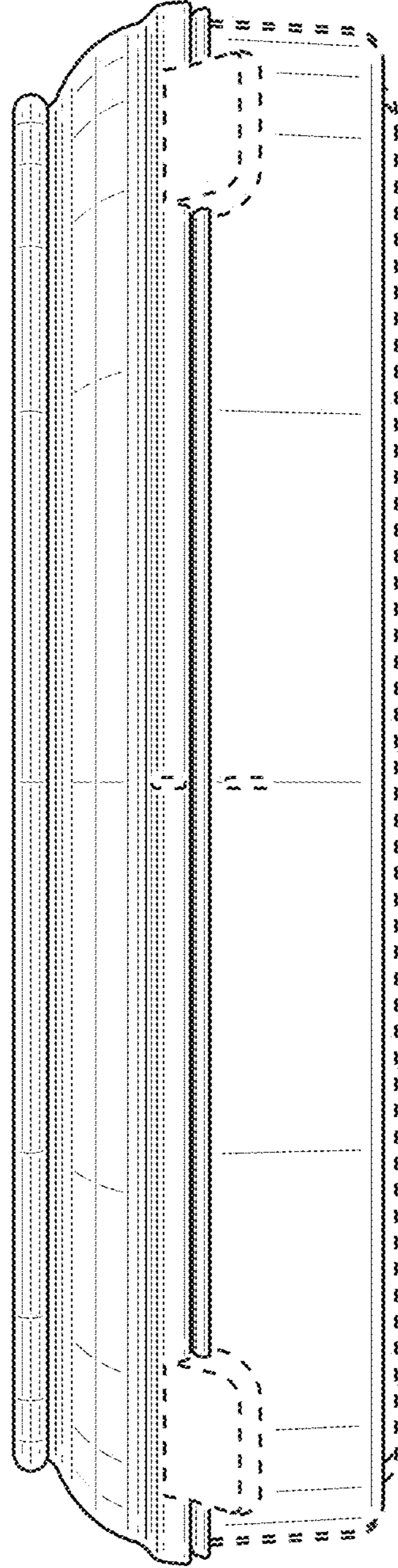


FIG. 6

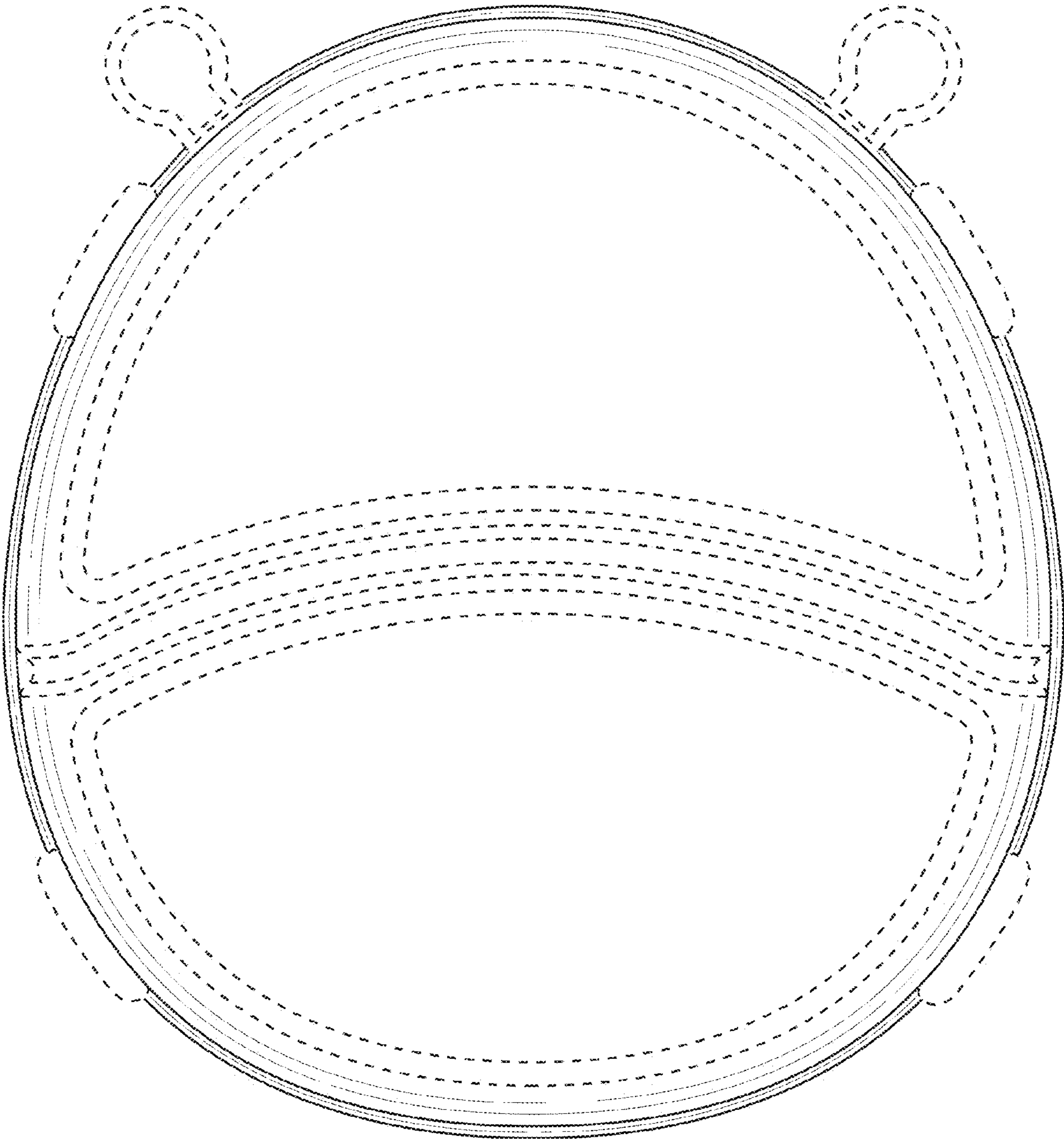


FIG. 7

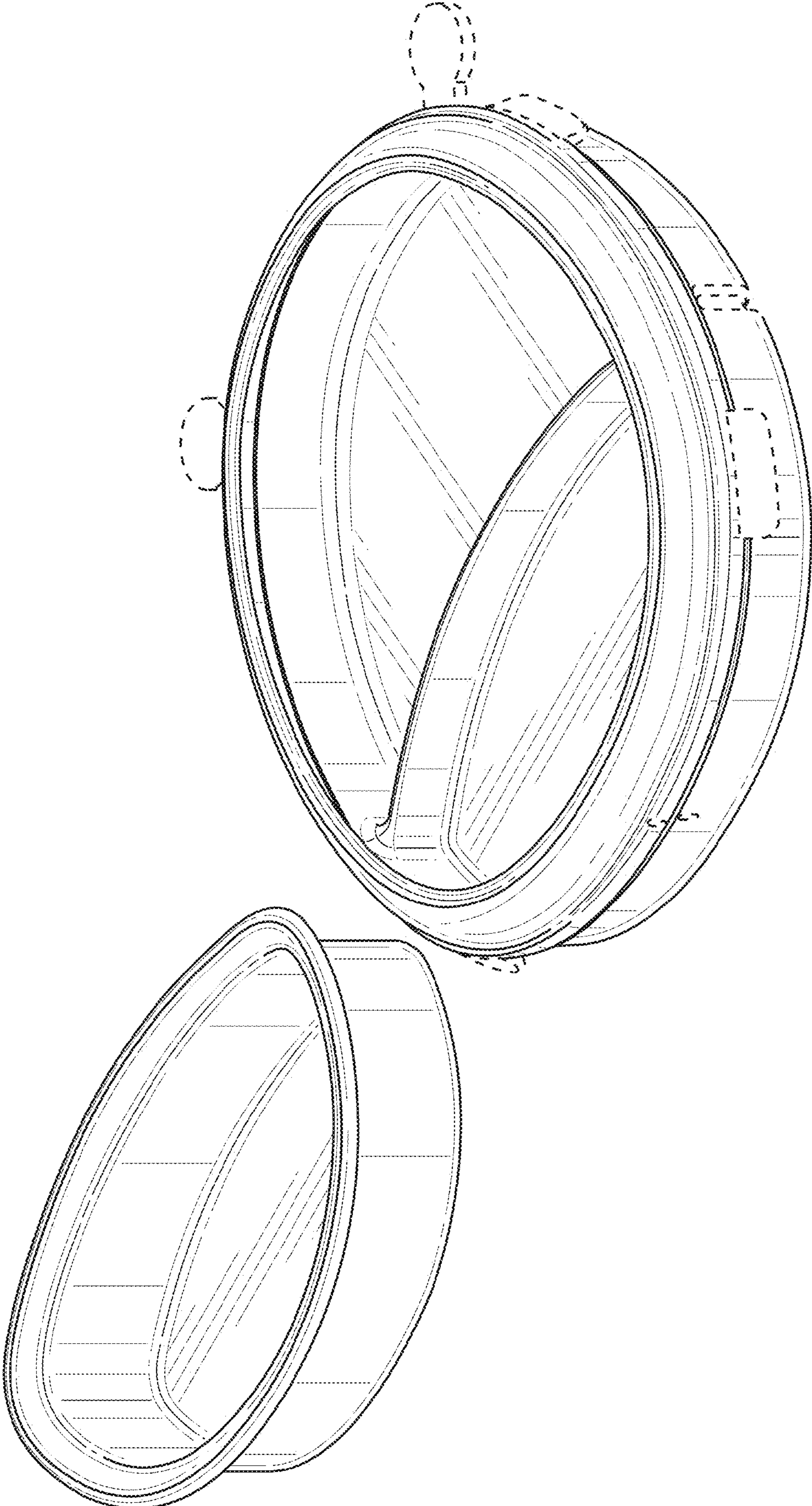


FIG. 8

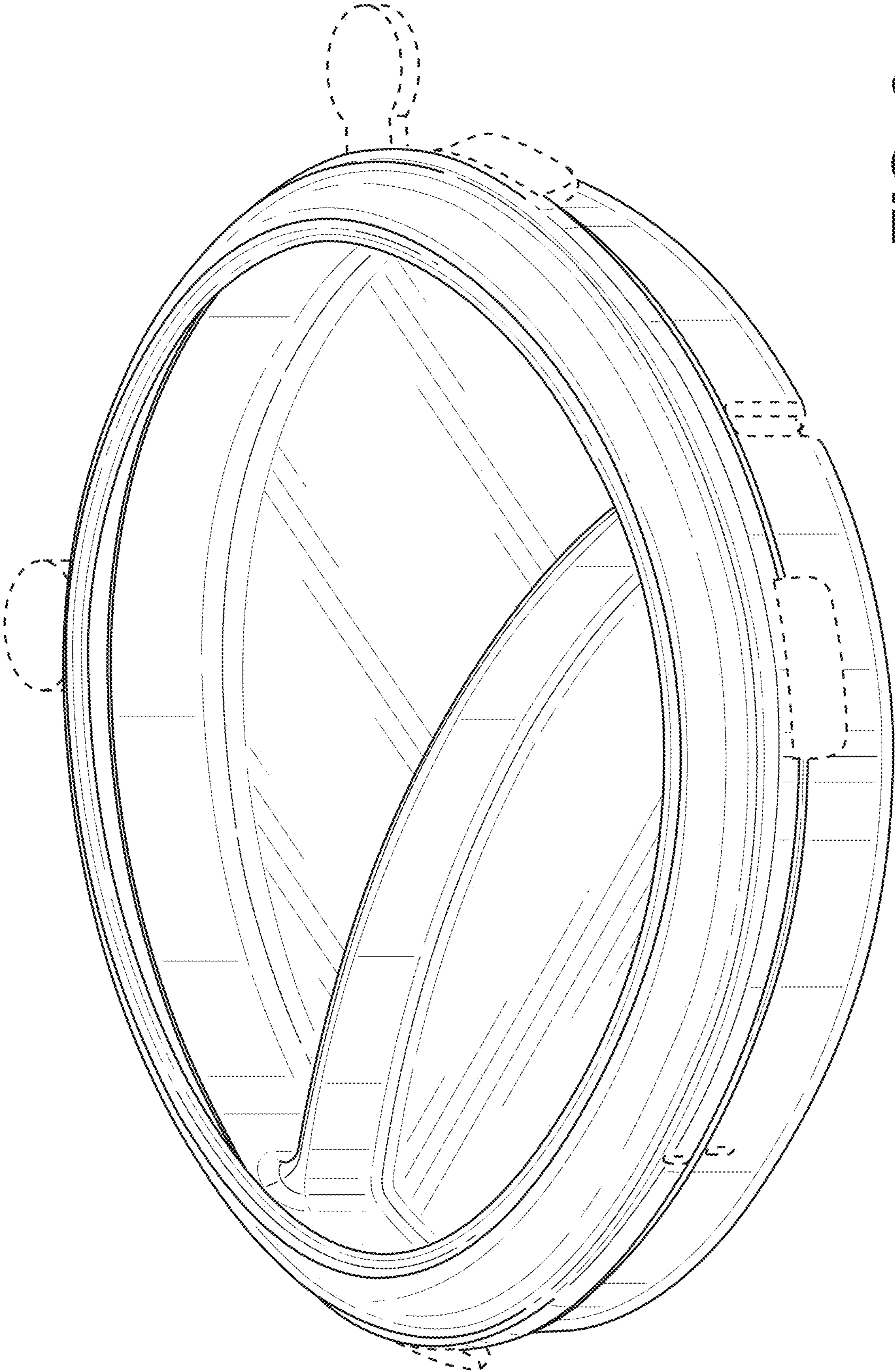


FIG. 9

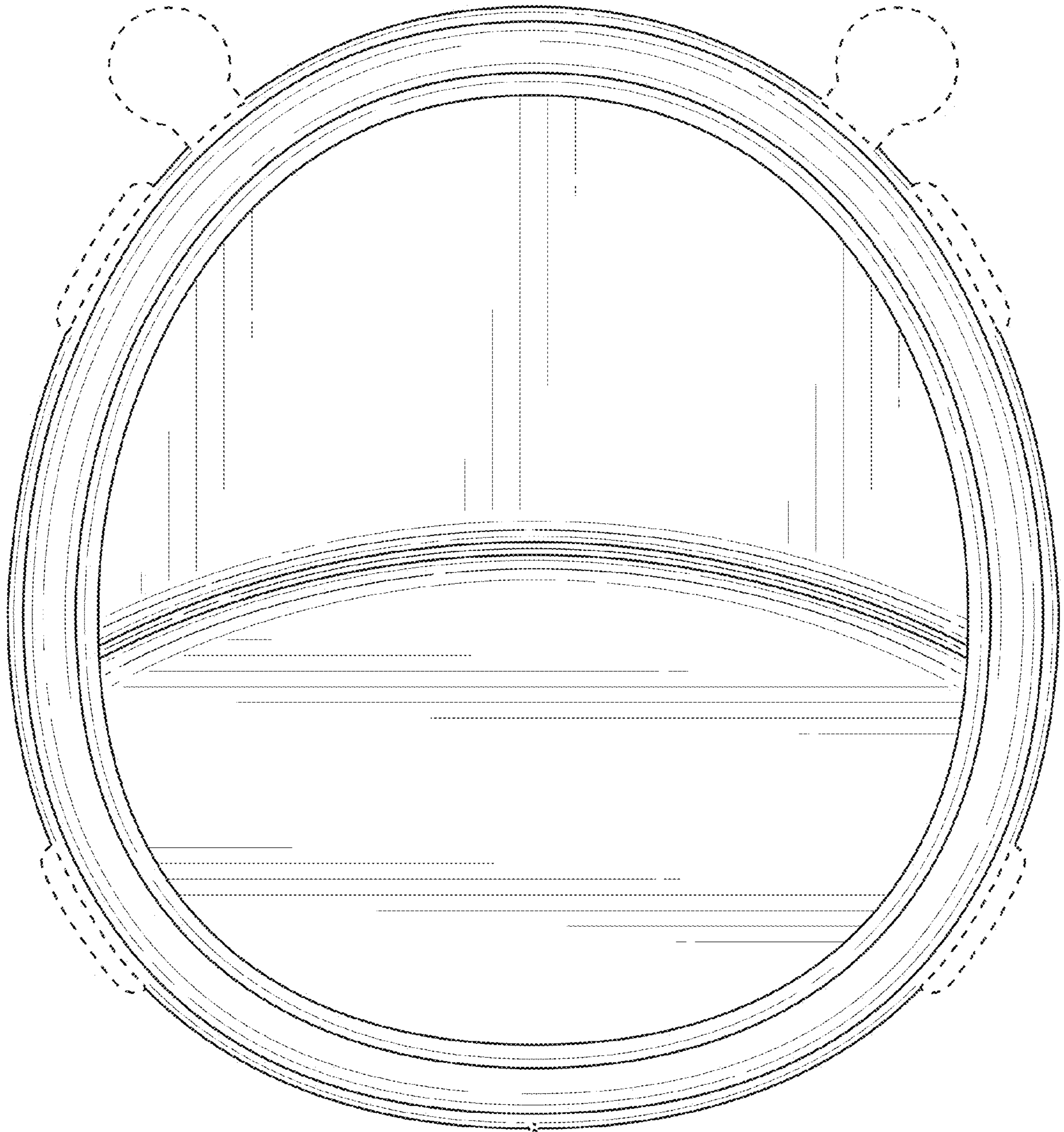


FIG. 10

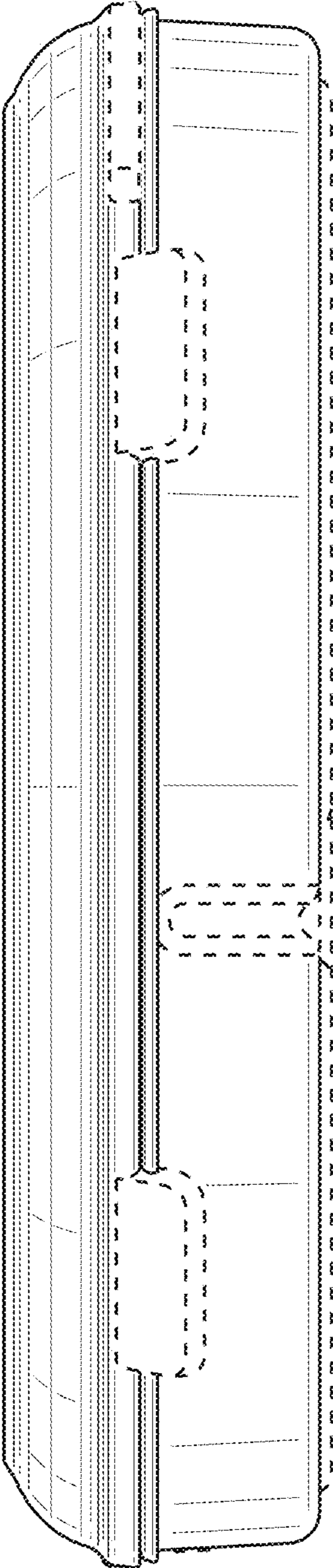


FIG. 11

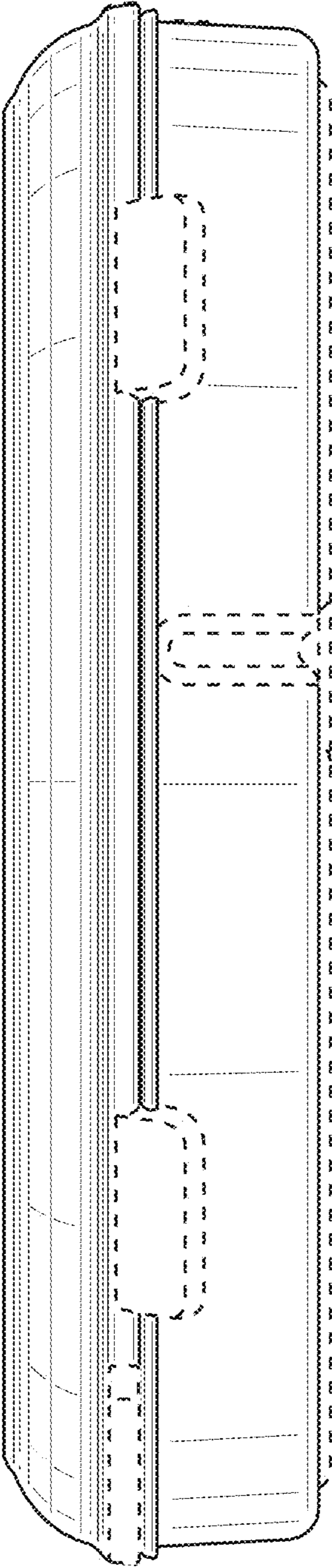


FIG. 12

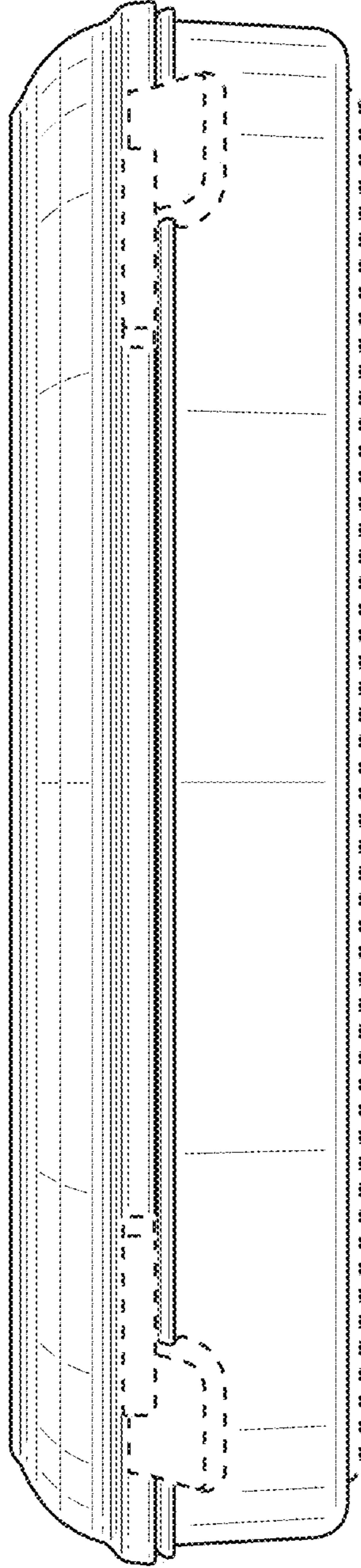


FIG. 13

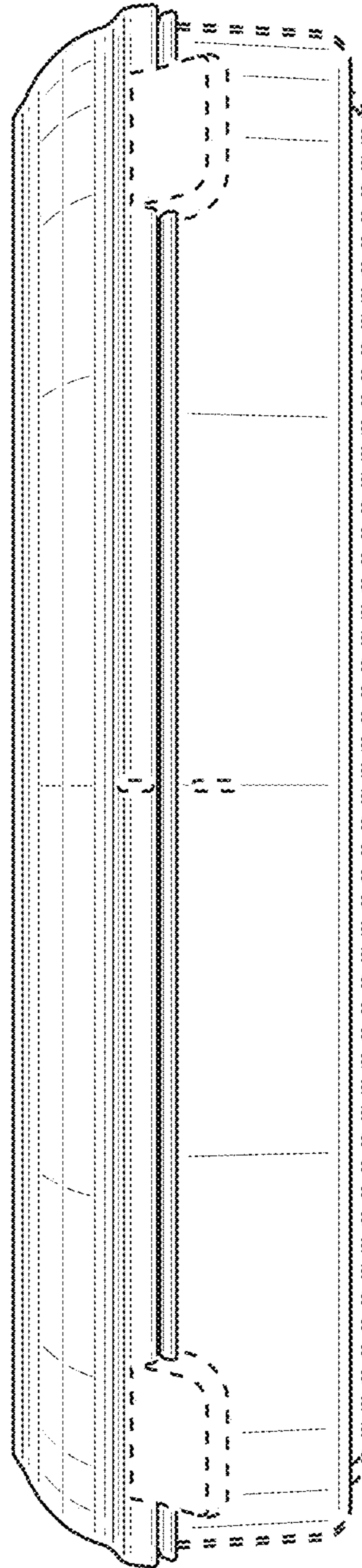


FIG. 14

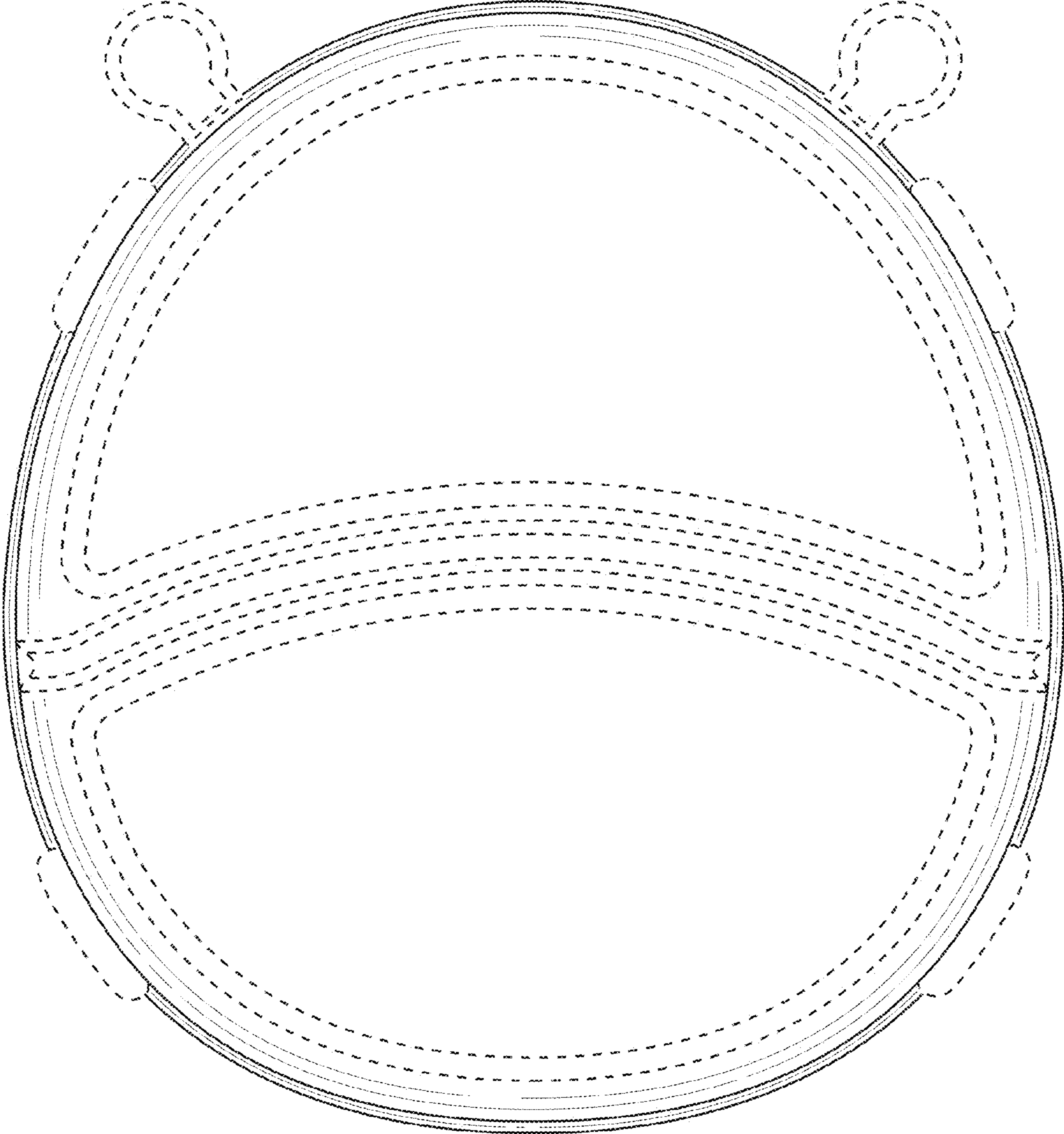


FIG. 15