



US00D901976S

(12) **United States Design Patent** (10) **Patent No.:** **US D901,976 S**
Sibbert (45) **Date of Patent:** **** Nov. 17, 2020**

(54) **BEVERAGE BOTTLE**
(71) Applicant: **SIGG Switzerland Bottles AG**,
Frauenfeld (CH)
(72) Inventor: **Alexander Sibbert**, Schwerzenbach
(CH)
(73) Assignee: **SIGG SWITZERLAND BOTTLES**
AG, Frauenfeld (CH)
(**) Term: **15 Years**
(21) Appl. No.: **29/658,854**
(22) Filed: **Aug. 3, 2018**
(30) **Foreign Application Priority Data**
Feb. 6, 2018 (WO) DM/099664
(51) **LOC (12) Cl.** **07-01**
(52) **U.S. Cl.**
USPC **D7/511**
(58) **Field of Classification Search**
USPC ... D7/509-511, 543, 396.2, 300, 300.1, 608,
D7/605, 523, 533, 536, 547, 548;
D9/516, 529, 541, 544, 545, 546, 549,
D9/559
CPC A47G 19/22; A47G 19/2205; A47G
19/2272; A47G 19/2288; A47G 19/2222;
A45F 3/16; A45F 3/18; A45F 22/00;
A45F 22/0583; B65D 43/00; B65D
23/102; B65D 41/26; B65D 41/04; B65D
1/02; B65D 1/06
See application file for complete search history.

(56) **References Cited**
U.S. PATENT DOCUMENTS
D620,357 S * 7/2010 Jewett D9/443
D787,935 S * 5/2017 Kaiser D9/435

9,688,445 B2 * 6/2017 Ayres B65D 77/0486
D811,818 S * 3/2018 Wu D7/510
D812,428 S * 3/2018 Wu D7/510
D814,241 S * 4/2018 Nickley D7/510
D828,094 S * 9/2018 Jackson D7/511
D842,037 S * 3/2019 Chen D7/507
2016/0318693 A1 * 11/2016 Hein B65D 41/0442
2017/0158412 A1 * 6/2017 Seiders B65D 25/2835

OTHER PUBLICATIONS

Sigg Water Bottle | posted at Amazon.co.uk, posted on Feb. 19, 2019, © 1996-2019 Amazon.co.uk, [online], [site visited Sep. 14, 2019]. Available from Internet, <URL:https://www.amazon.co.uk/Sigg-Unisexs-Original-Water-Bottle/dp/B07NX5KSP1/> (Year: 2019).*

* cited by examiner

Primary Examiner — Susan E Krakower
Assistant Examiner — Andrew Kerr
(74) *Attorney, Agent, or Firm* — Pearne & Gordon LLP

(57) **CLAIM**

The ornamental design for a beverage bottle, as shown and described.

DESCRIPTION

FIG. 1 is a front view of a beverage bottle, showing my new design;
FIG. 2 is a front view thereof;
FIG. 3 is a left side view thereof;
FIG. 4 is a back view thereof;
FIG. 5 is a top view thereof;
FIG. 6 is a bottom view thereof;
FIG. 7 is a front top perspective view thereof;
FIG. 8 is a front bottom perspective view thereof;
FIG. 9 is a back top perspective view thereof; and,
FIG. 10 is a back bottom perspective view thereof.

1 Claim, 10 Drawing Sheets

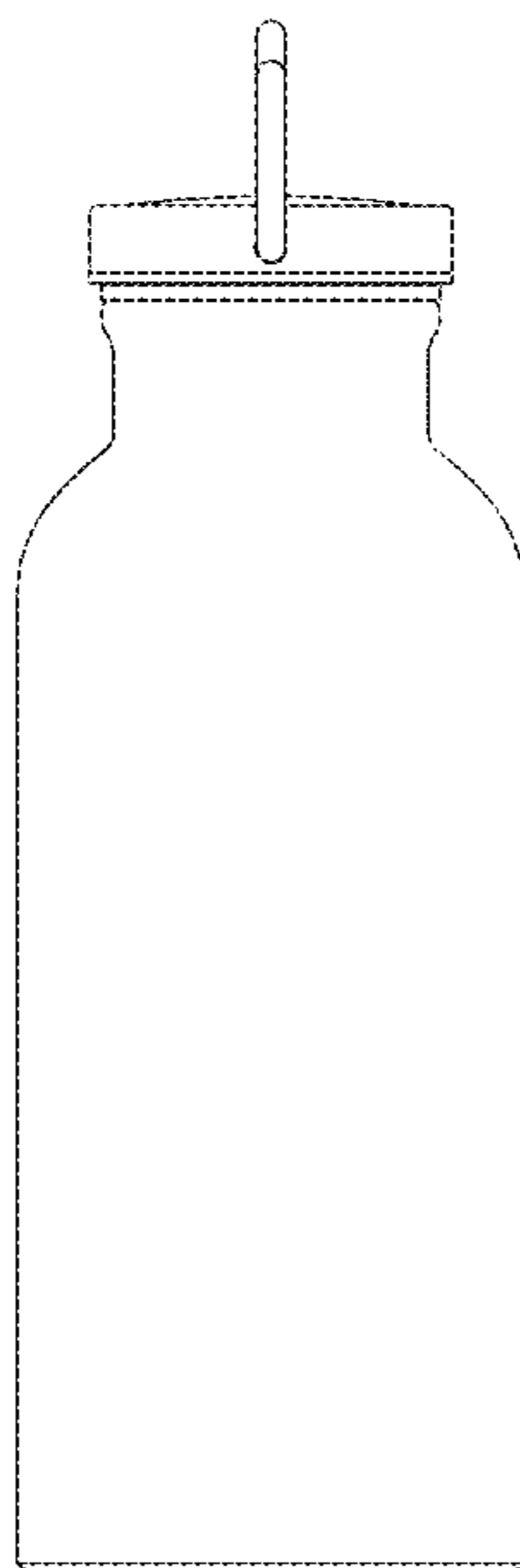


FIG. 1

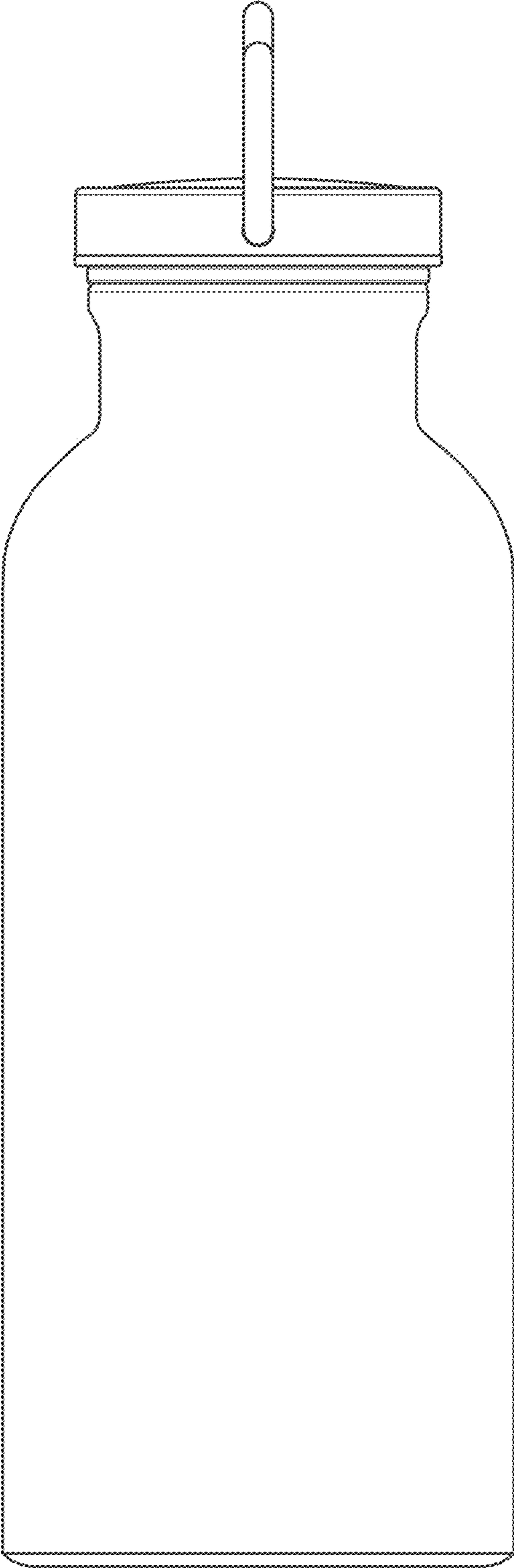


FIG. 2

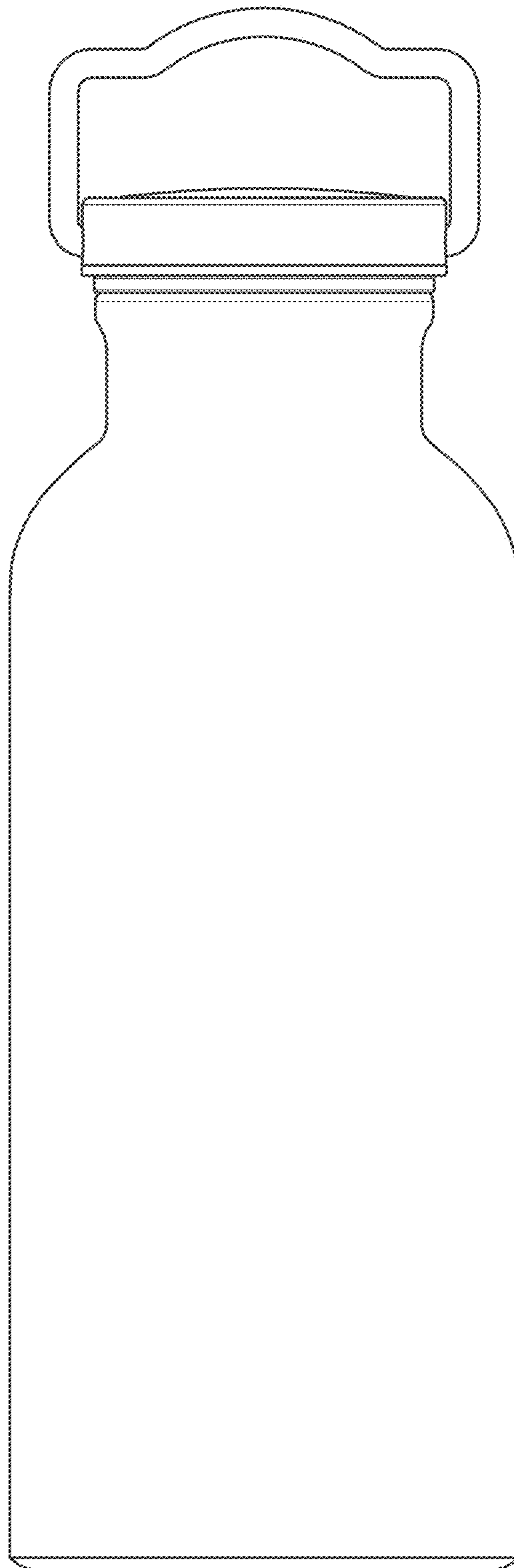


FIG. 3

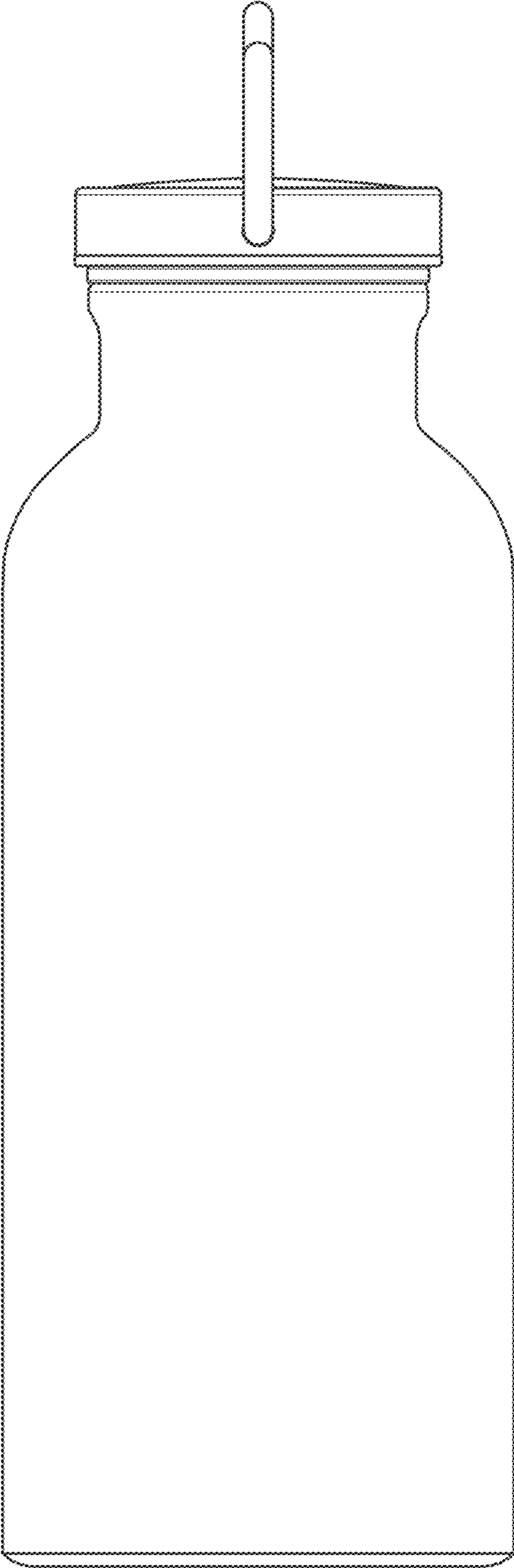


FIG. 4

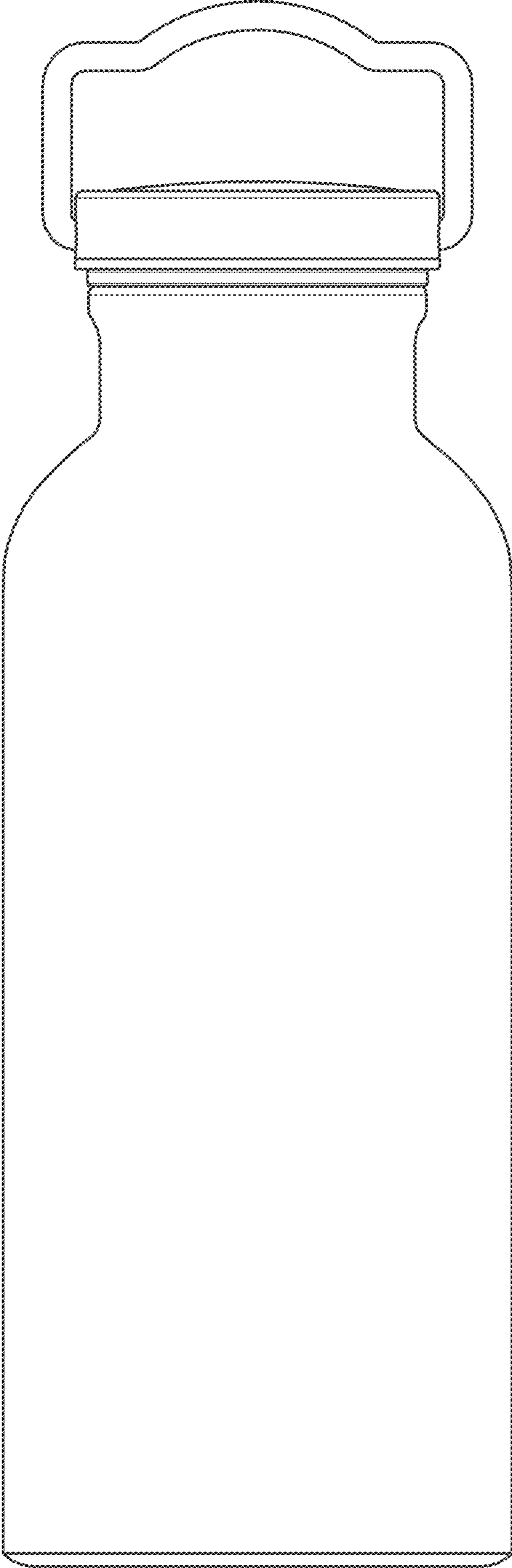


FIG. 5

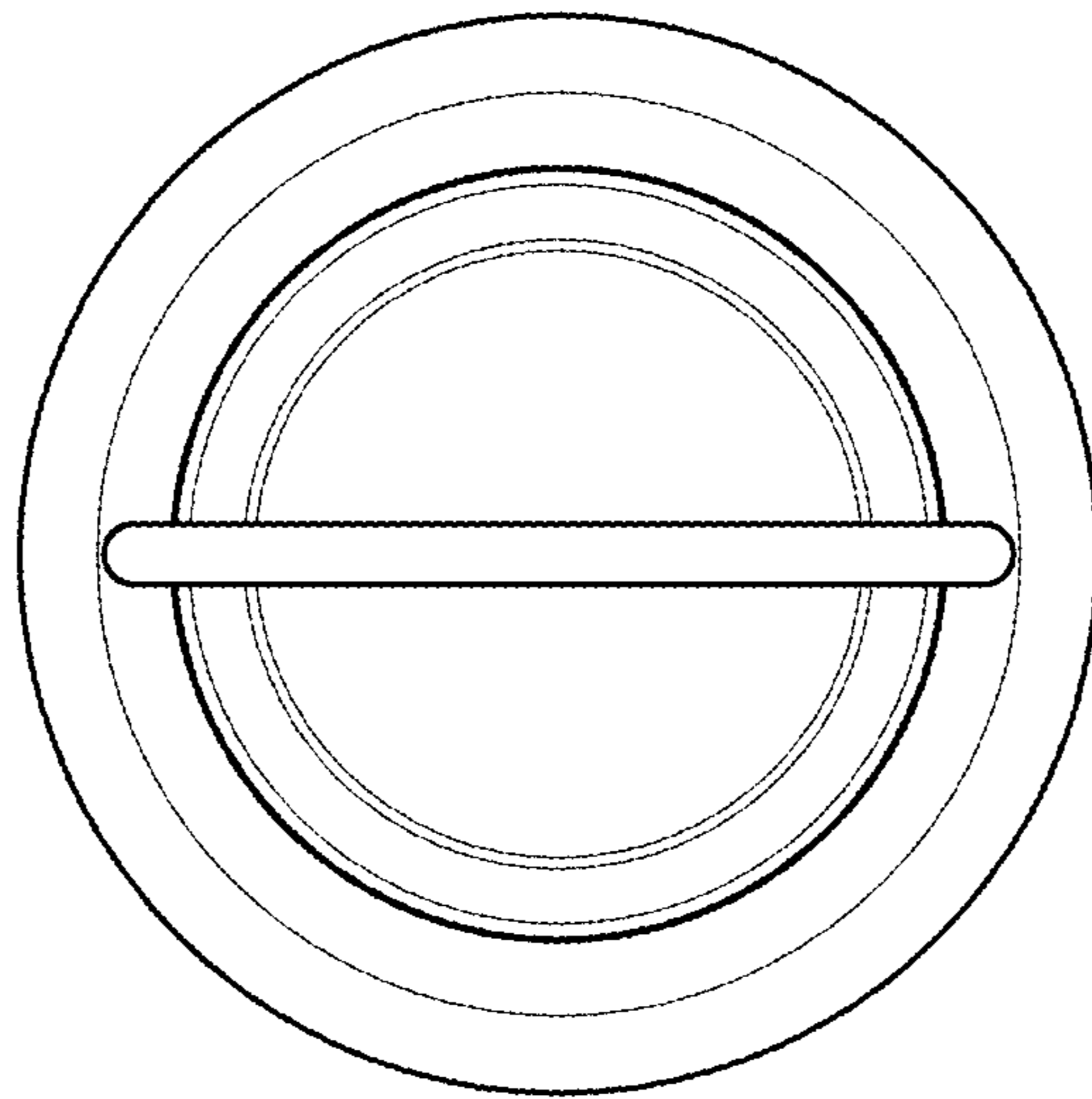


FIG. 6

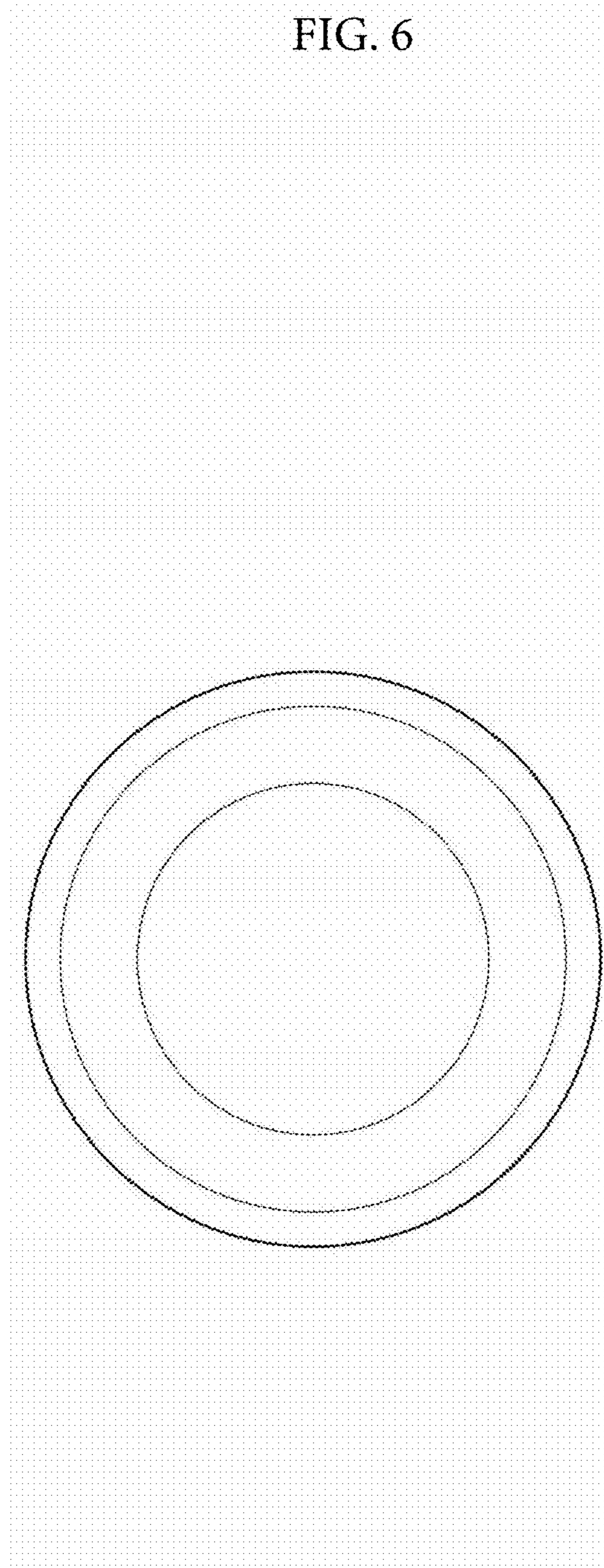


FIG. 7

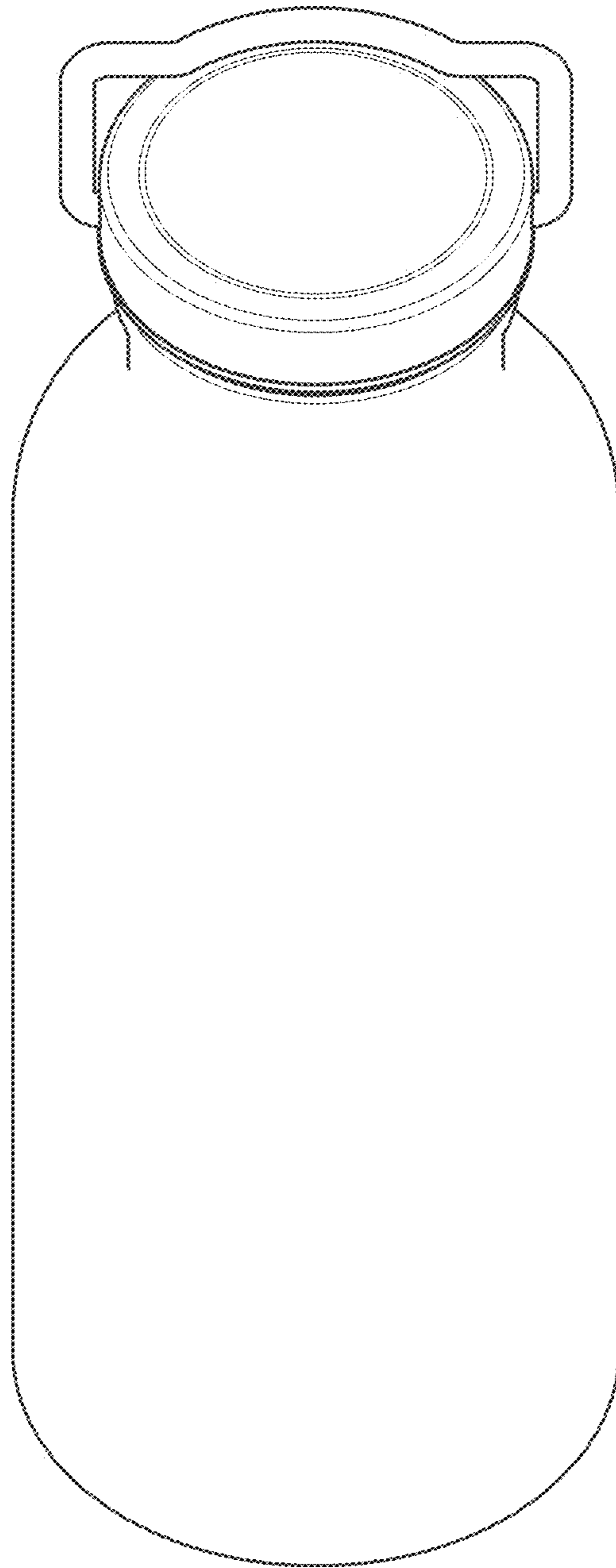


FIG. 8

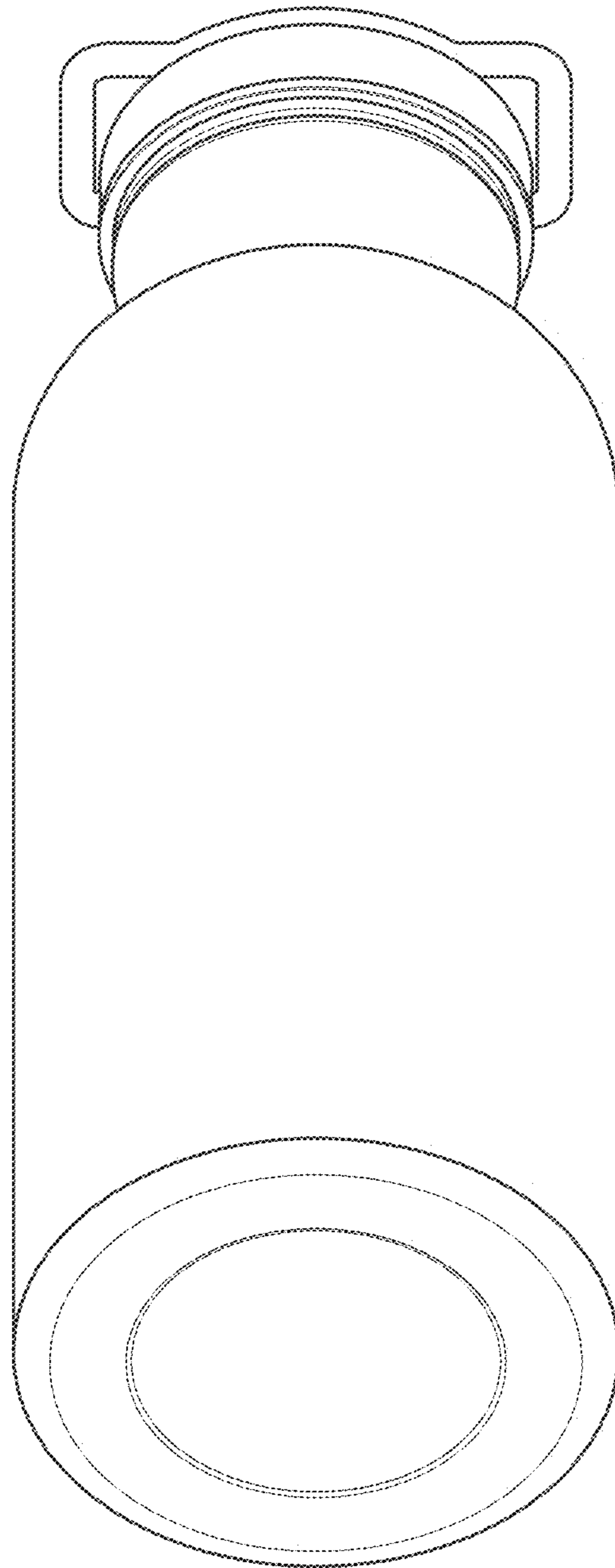


FIG. 9

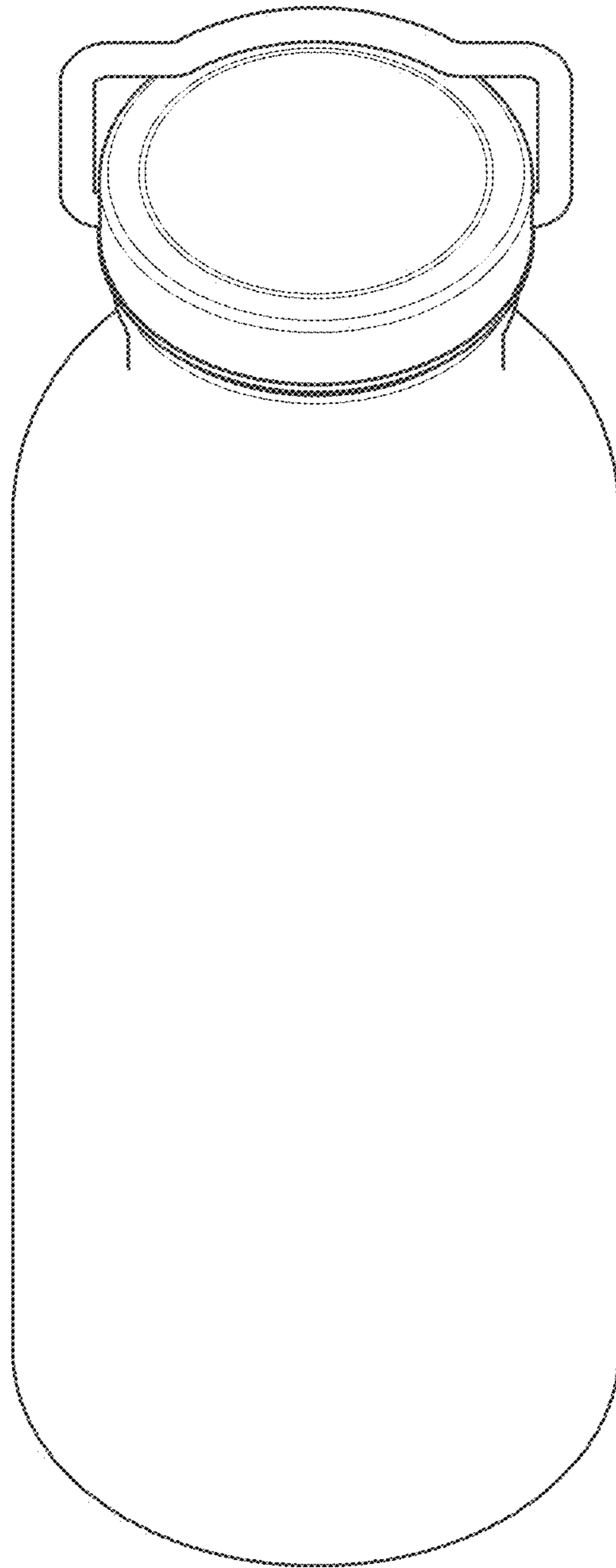


FIG. 10

