



US00D901973S

(12) **United States Design Patent** (10) **Patent No.:** **US D901,973 S**
Zemel et al. (45) **Date of Patent:** **** Nov. 17, 2020**

(54) **CHARCOAL STARTER** 4,321,907 A * 3/1982 Sutter A47J 37/079
126/25 B
(71) Applicant: **Mr. Bar-B-Q Products LLC**, Melville, 4,331,125 A 5/1982 Storandt
NY (US) 4,417,565 A 11/1983 Karpinia
4,503,835 A 3/1985 Williams
D288,843 S * 3/1987 Barnes A47J 37/079
(72) Inventors: **Marc Zemel**, Melville, NY (US); D7/332
Joanne Rudis, Melville, NY (US) 5,197,455 A * 3/1993 Tessien A47J 37/079
126/144
(73) Assignee: **Mr. Bar-B-Q Products LLC**, Melville, 5,219,419 A 6/1993 Prothe
NY (US) 5,469,835 A 11/1995 Stephen et al.
D366,392 S * 1/1996 Stephen A47J 37/079
D7/417
(**) Term: **15 Years** 5,638,807 A 6/1997 Flamenbaum
(Continued)

(21) Appl. No.: **29/706,664**

(22) Filed: **Sep. 23, 2019**

(51) **LOC (12) Cl.** **07-99**

(52) **U.S. Cl.**
USPC **D7/417**

(58) **Field of Classification Search**
USPC ... D7/10, 107-109, 323, 331-339, 402-408,
D7/416, 417; D23/90.1, 233, 259,
D23/262-264, 266, 268
CPC A47J 37/079; F23Q 7/02
See application file for complete search history.

(56) **References Cited**

U.S. PATENT DOCUMENTS

2,834,661 A 5/1958 Chaplin
2,932,437 A 4/1960 Wilcox
2,939,773 A 6/1960 Rymer
3,122,109 A 2/1964 Waugh
3,167,040 A 1/1965 Byars et al.
3,296,984 A 1/1967 Durfee
3,384,066 A 5/1968 Tufts
3,499,399 A 3/1970 Kaufmann
D223,722 S 5/1972 Stehouwer
3,884,214 A 5/1975 Duncan
3,934,520 A 1/1976 Brennan et al.
3,974,821 A 8/1976 Storandt
4,282,854 A 8/1981 Byars

FOREIGN PATENT DOCUMENTS

DE 2014-S46907 * 10/2014 A47J 37/079

Primary Examiner — Michael C Stout
Assistant Examiner — Fritzgerald L Butac

(74) *Attorney, Agent, or Firm* — Carter, DeLuca & Farrell LLP

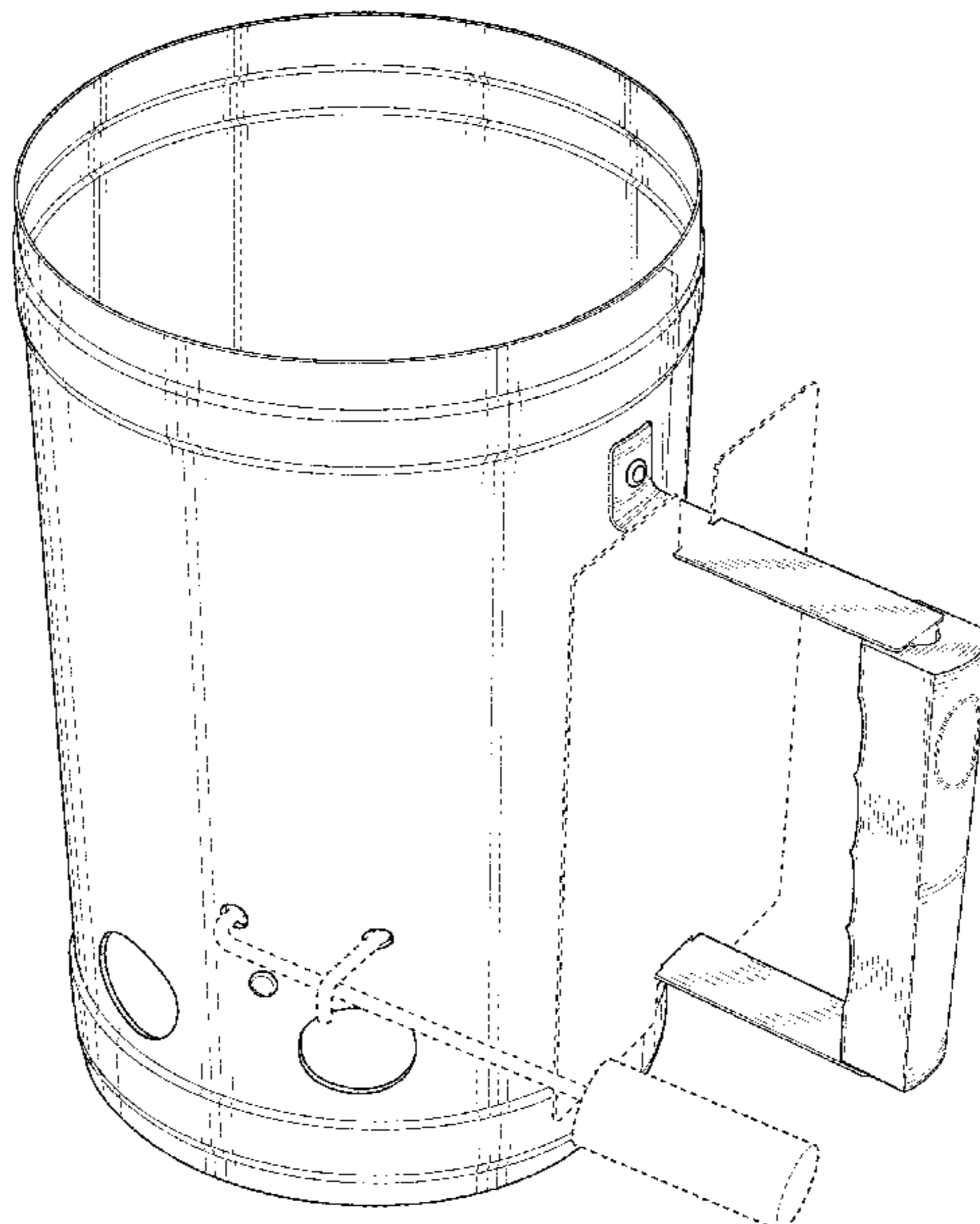
(57) **CLAIM**

The ornamental design for a charcoal starter, as shown and described.

DESCRIPTION

FIG. 1 is a perspective view of a charcoal starter in accordance with the present design;
FIG. 2 is a right side elevational view thereof;
FIG. 3 is a left side elevational view thereof;
FIG. 4 is a front elevational view thereof;
FIG. 5 is a rear elevational view thereof;
FIG. 6 is a top plan view thereof; and,
FIG. 7 is a bottom plan view thereof.
The broken lines shown in the drawings illustrate portions of the charcoal starter that form no part of the claimed design.

1 Claim, 7 Drawing Sheets



(56)

References Cited

U.S. PATENT DOCUMENTS

6,009,867 A * 1/2000 Walton A47J 37/079
 126/25 B
 D459,154 S * 6/2002 Liu D7/417
 D459,945 S * 7/2002 Bodum D7/417
 D471,762 S 3/2003 McClaskey et al.
 6,631,711 B2 10/2003 Patience
 D497,772 S 11/2004 Bodum
 6,854,876 B2 2/2005 Dickson, Jr.
 6,913,013 B1 7/2005 Mize
 7,237,548 B2 7/2007 Mizrahi et al.
 7,823,576 B2 11/2010 Timmons et al.
 8,028,689 B2 10/2011 Bruno
 8,171,926 B2 5/2012 Chang
 8,302,592 B2 11/2012 Phelps
 8,590,525 B2 11/2013 Mize
 9,173,523 B2 11/2015 Valzania Fresa
 D833,815 S * 11/2018 Prior D7/417
 2004/0035407 A1 2/2004 Patience
 2005/0115556 A1 6/2005 Carson et al.
 2008/0230043 A1 9/2008 Bruno
 2009/0095276 A1 4/2009 Kaye
 2009/0288653 A1 11/2009 Chen
 2010/0059037 A1 3/2010 Witzel et al.
 2012/0204852 A1 8/2012 Boucher
 2013/0032134 A1 2/2013 Valzania Fresa
 2013/0042852 A1 * 2/2013 Cottrell F23Q 13/04
 126/25 B
 2015/0040886 A1 2/2015 Phelps et al.
 2015/0047626 A1 * 2/2015 Mince A47J 37/079
 126/25 B
 2017/0042377 A1 * 2/2017 Mince A47J 37/079
 2017/0097158 A1 4/2017 Thompson
 2017/0188752 A1 * 7/2017 Ahmed A47J 37/079
 2020/0107676 A1 * 4/2020 Grantham A47J 37/079

* cited by examiner

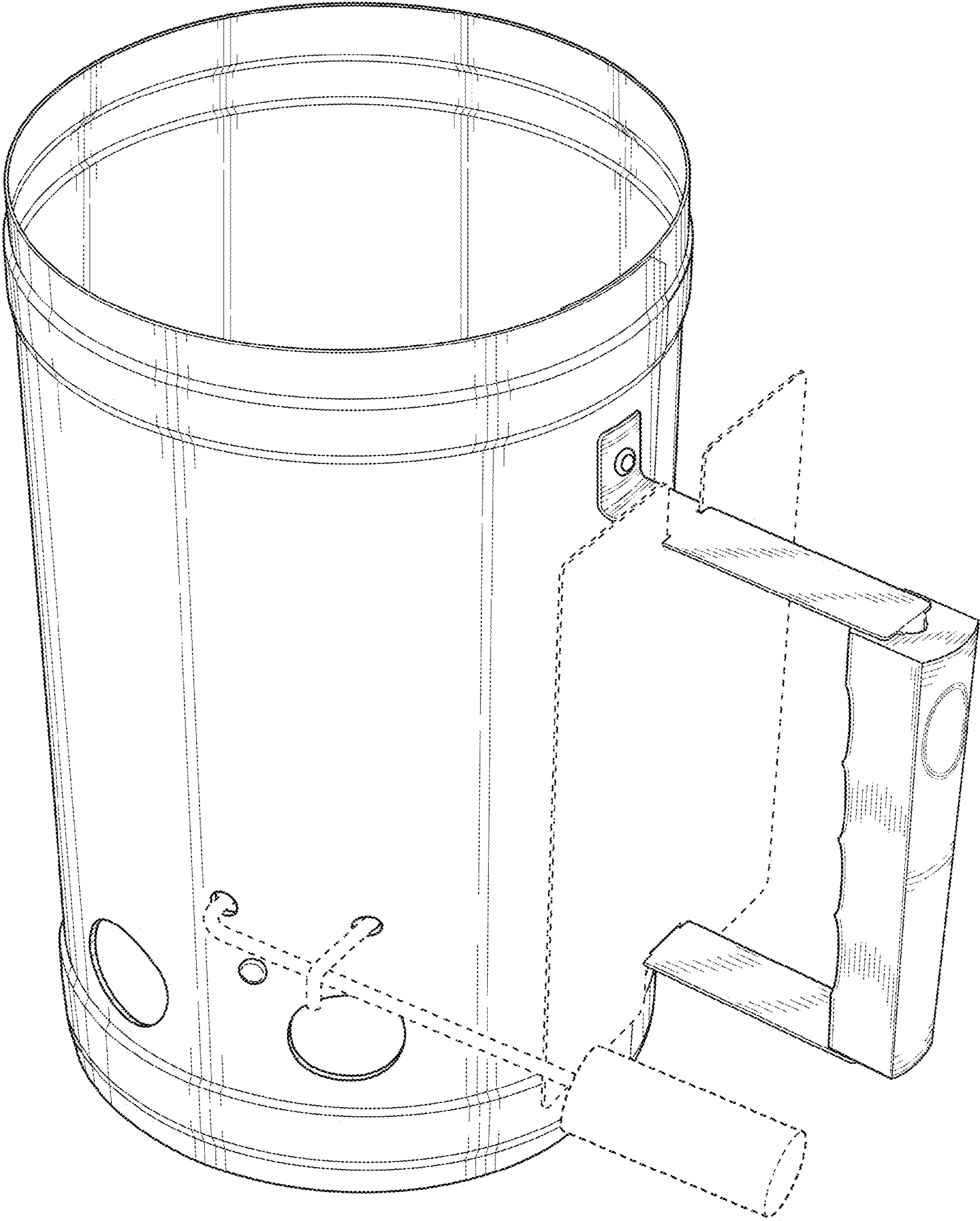


FIG. 1

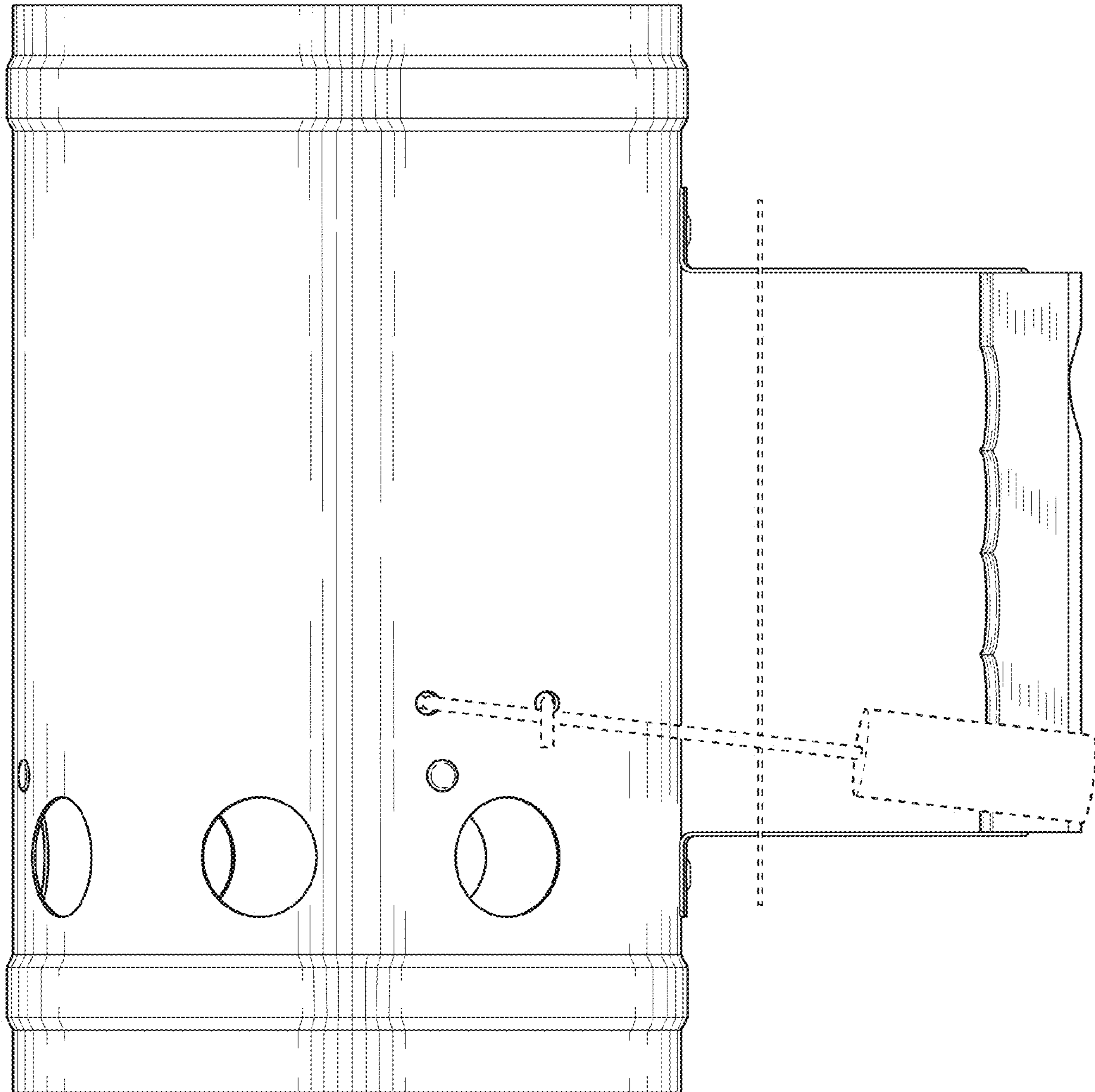


FIG. 2

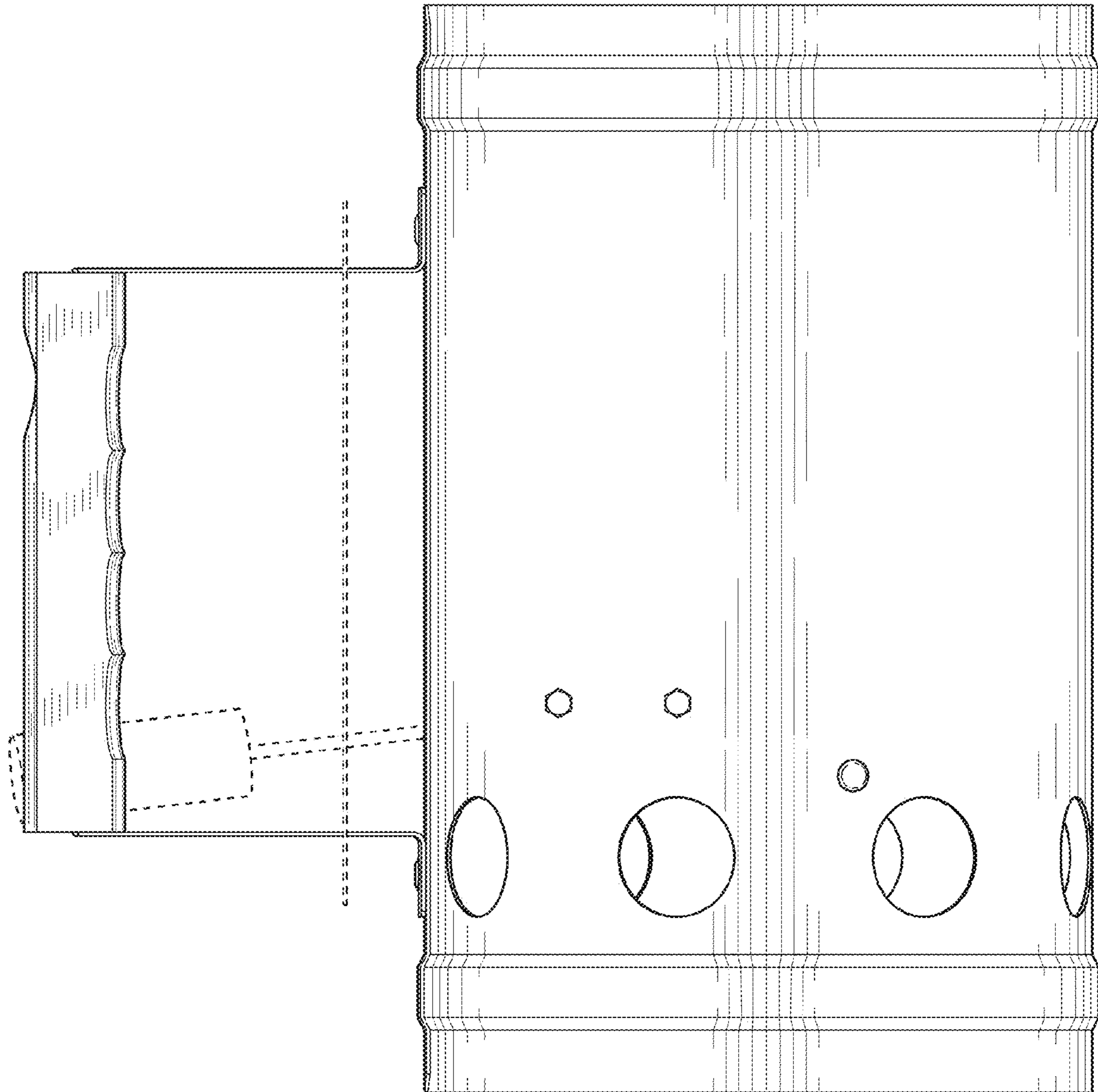


FIG. 3

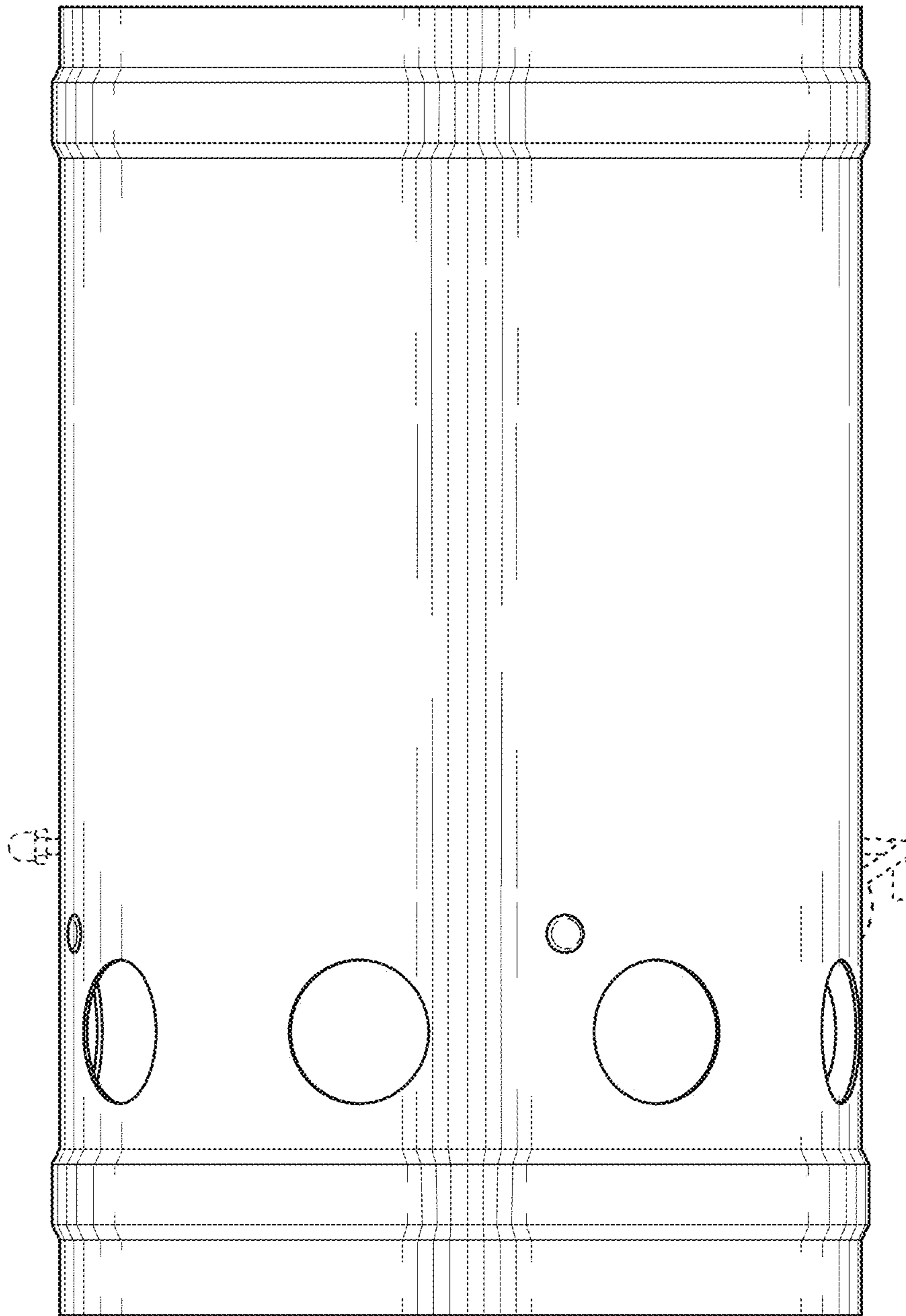


FIG. 4

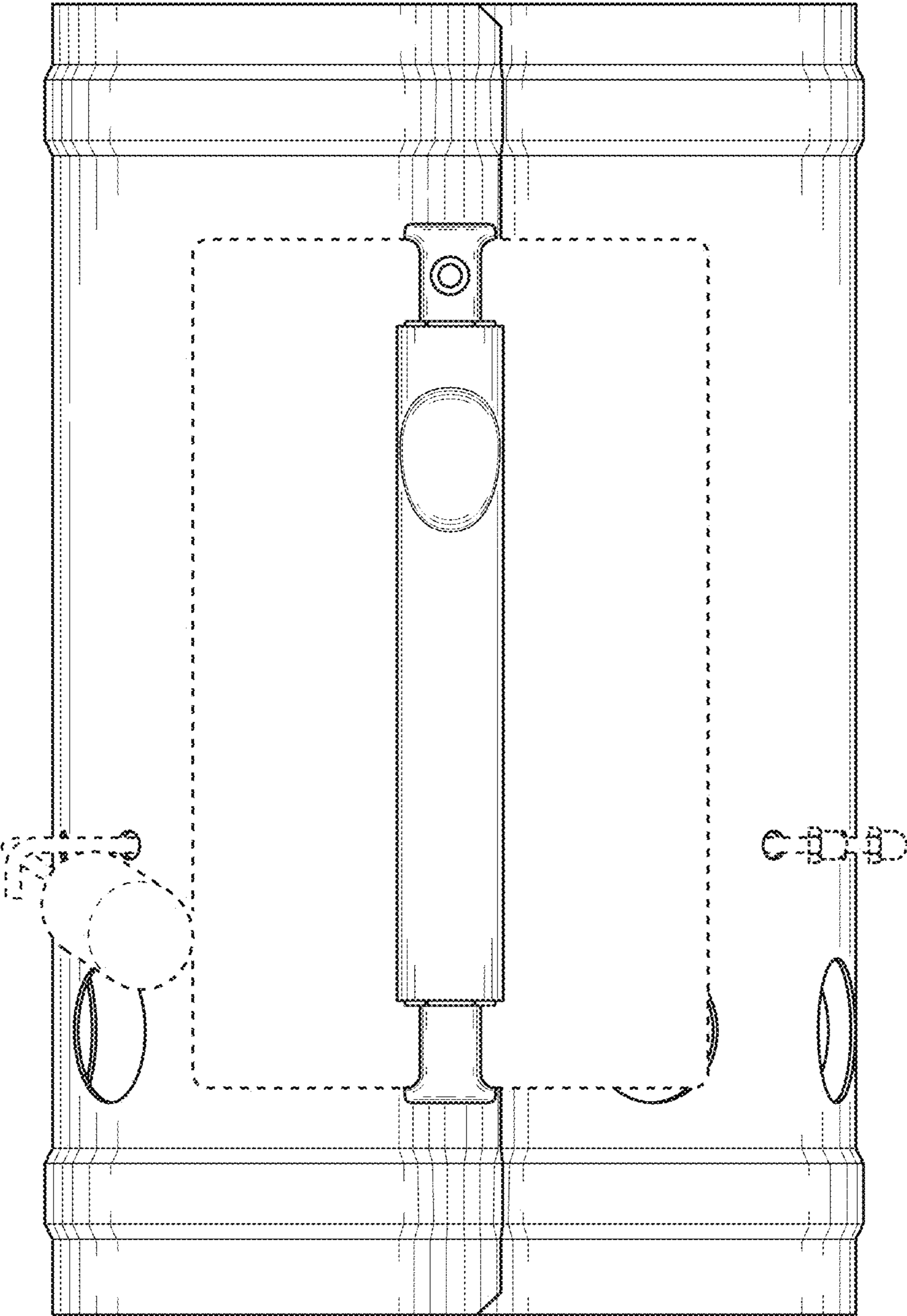


FIG. 5

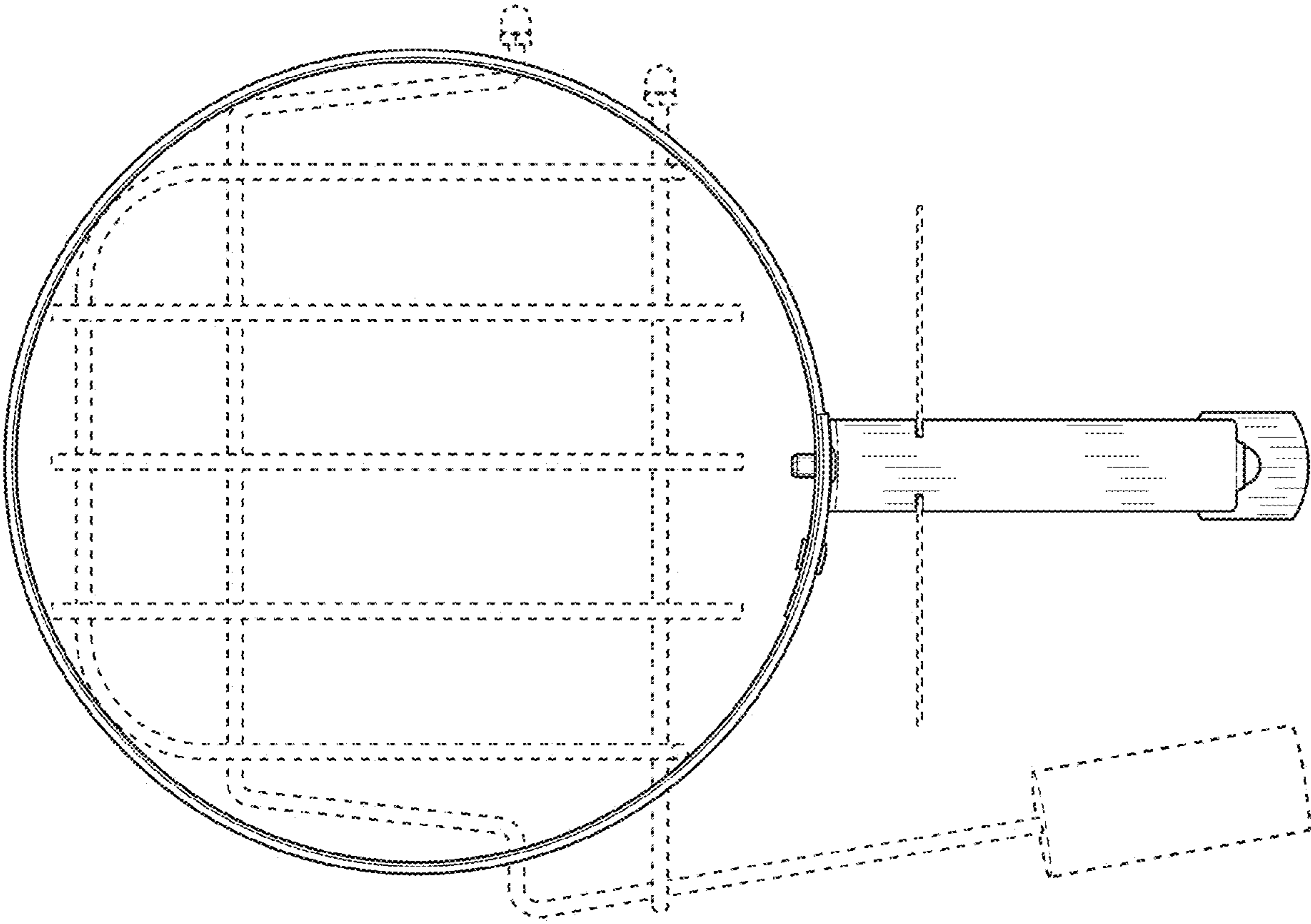


FIG. 6

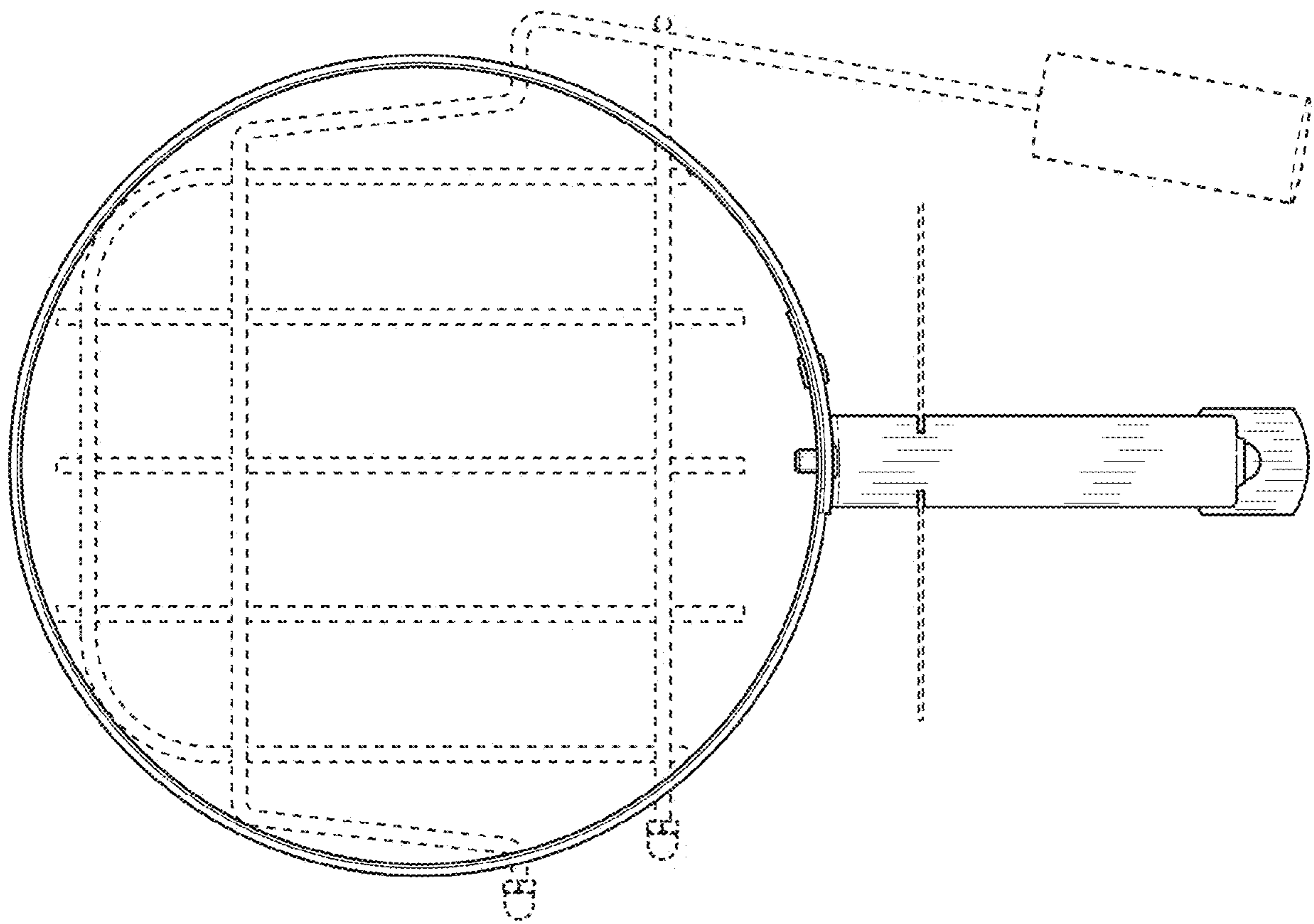


FIG. 7