



US00D901972S

(12) **United States Design Patent** (10) **Patent No.:** **US D901,972 S**  
**Kuo et al.** (45) **Date of Patent:** **\*\* Nov. 17, 2020**

(54) **AUTOMATIC TAPIOCA BALLS COOKING MACHINE**

(71) Applicant: **Botrista Technology, Inc.**, Hayward, CA (US)

(72) Inventors: **Wu-Chou Kuo**, Tainan (TW); **Hao-Che Hsu**, San Mateo, CA (US); **Yu-Min Lee**, New Taipei (TW); **Carl Johan Uno Hagerling**, Lund (SE)

(73) Assignee: **BOTRISTA TECHNOLOGY, INC.**, Hayward, CA (US)

(\*\*) Term: **15 Years**

(21) Appl. No.: **29/686,075**

(22) Filed: **Apr. 2, 2019**

(30) **Foreign Application Priority Data**

Oct. 8, 2018 (TW) ..... 107305938

(51) **LOC (12) Cl.** ..... **31-00**

(52) **U.S. Cl.**  
USPC ..... **D7/412; D7/323**

(58) **Field of Classification Search**  
USPC ..... D7/309, 372, 376–386, 412–413, 602, D7/629, 665–666, 669, 679, 693–694  
CPC .... A21C 1/02; A21C 1/04; A23N 1/00; A23N 1/02; A47J 43/04; A47J 43/25; A47J 43/27; A47J 43/042; A47J 43/044; A47J 43/046; A47J 43/075; A47J 43/0705; A47J 43/0722; A47J 43/0727; B01F 3/00; B01F 3/0807; B01F 3/0853; B01F 13/0059; B01F 13/0064; B02C 1/08; B02C 2/04; B02C 4/42; B02C 4/142; B02C 4/143; B02C 4/423; B02C 13/1835; B28C 5/10; B28C 5/12; B28C 5/14; B28C 5/16

See application file for complete search history.

(56) **References Cited**

U.S. PATENT DOCUMENTS

D314,883	S	*	2/1991	Naft	.....	D7/379
D315,473	S	*	3/1991	Copland	.....	D7/379
D319,555	S	*	9/1991	Thomas	.....	D7/379
D454,023	S	*	3/2002	Wang	.....	D7/309
D484,734	S	*	1/2004	Drobeck	.....	D7/309
D529,759	S	*	10/2006	Feil	.....	D7/384
8,251,567	B2	*	8/2012	Brunswick	.....	A21C 1/02 220/751
D728,304	S	*	5/2015	Weaden	.....	D7/376
D825,256	S	*	8/2018	Vu	.....	D7/379
D859,911	S	*	9/2019	Steiner	.....	D7/379
2016/0324368	A1	*	11/2016	Seidler	.....	A47J 43/0705

\* cited by examiner

*Primary Examiner* — Ricky Pham

(74) *Attorney, Agent, or Firm* — Birch, Stewart, Kolasch & Birch, LLP

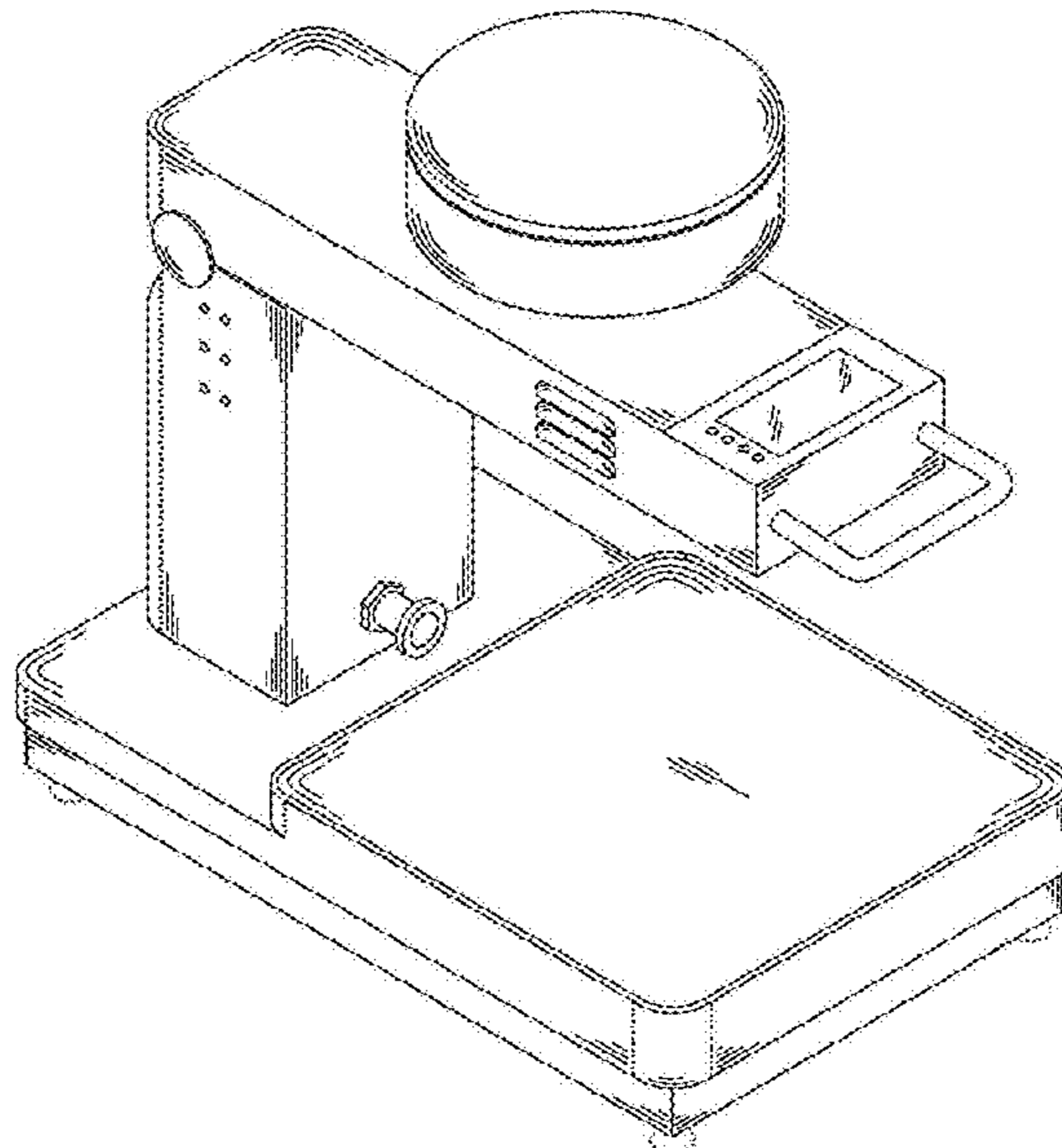
(57) **CLAIM**

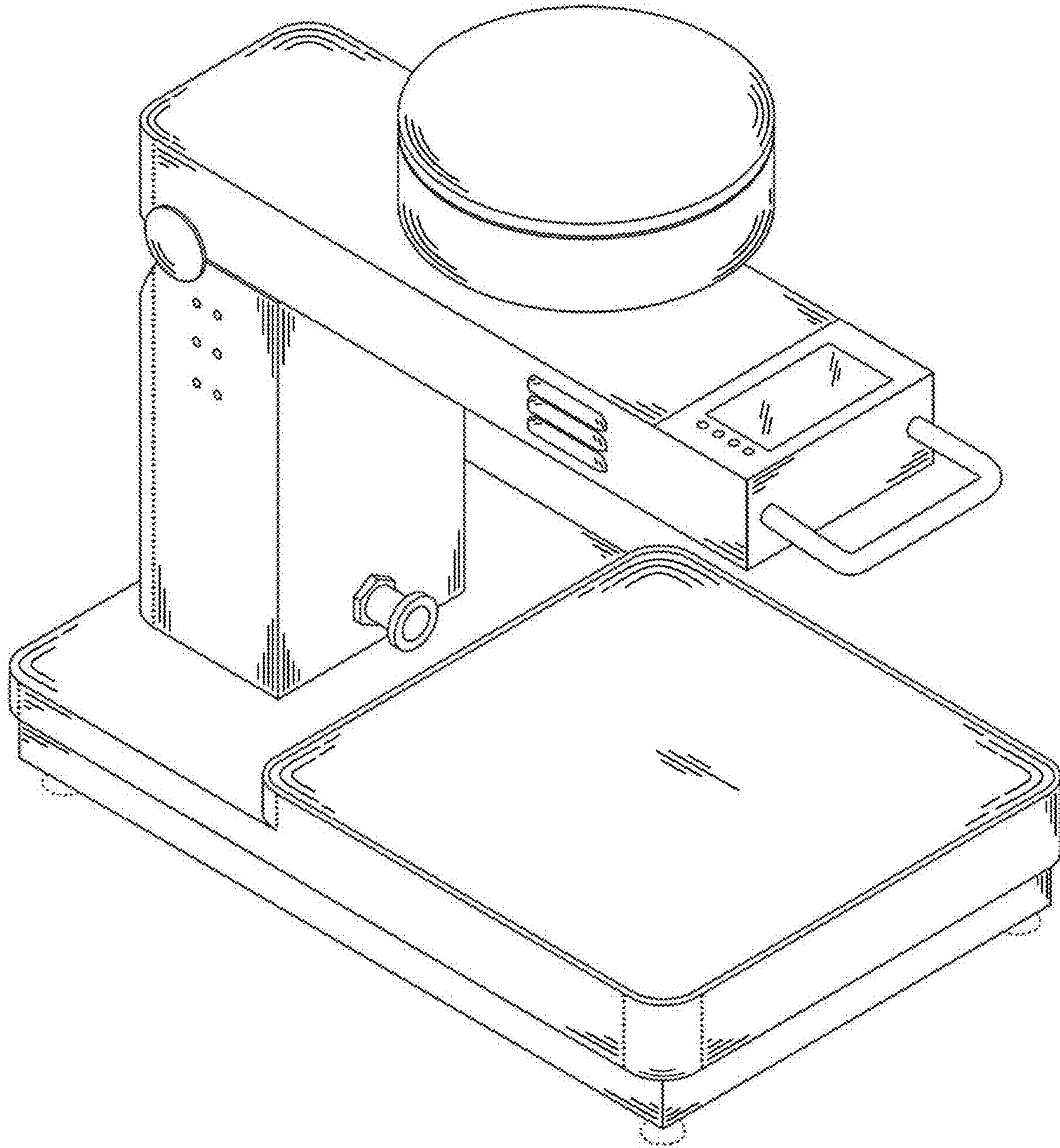
The ornamental design for an automatic tapioca balls cooking machine, substantially as shown and described.

**DESCRIPTION**

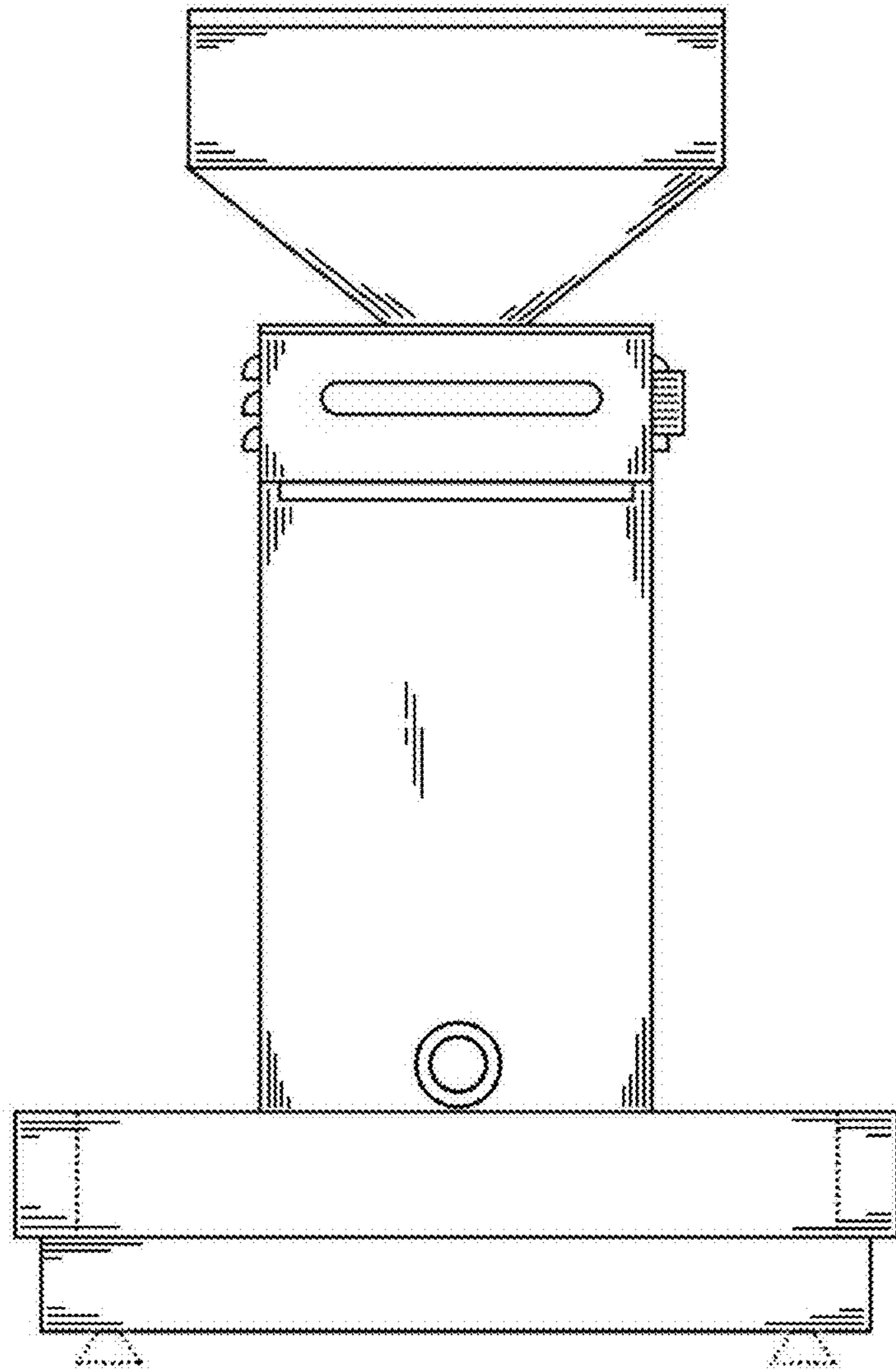
FIG. 1 is a top, front, and left side perspective view of the first embodiment of an automatic tapioca balls cooking machine showing the new design; FIG. 2 is a front view thereof; FIG. 3 is a left side thereof; FIG. 4 is a right side view thereof; and, FIG. 5 is a top view thereof. Features shown in broken lines in the drawings form no part of the claimed design. The bottom view and the rear view of the first embodiment of the subject design are omitted since they do not contain ornamental features. The bottom view and the rear view of the second embodiment of the subject design are omitted since they do not contain ornamental features.

**1 Claim, 5 Drawing Sheets**





**FIG. 1**



**FIG. 2**

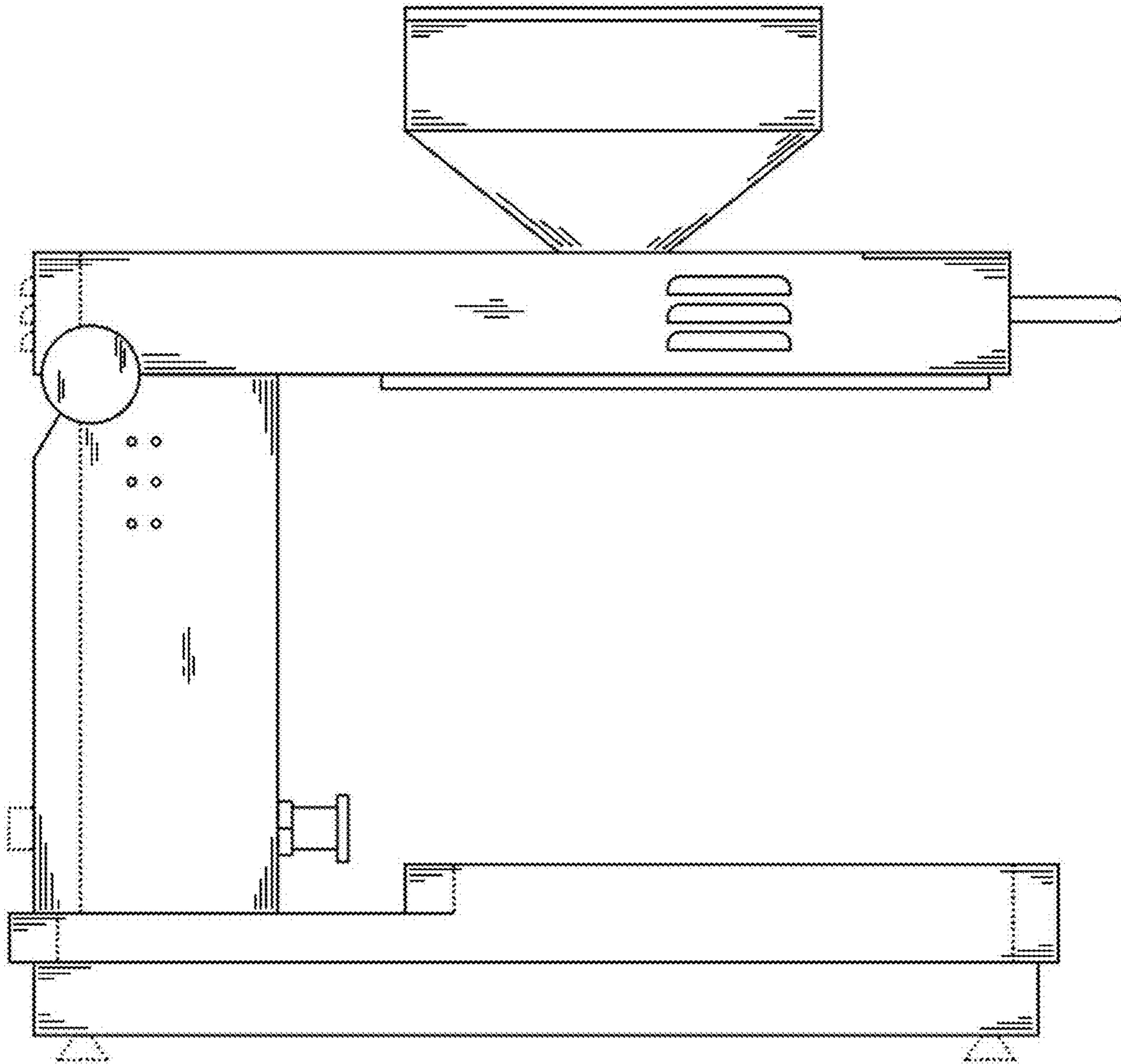
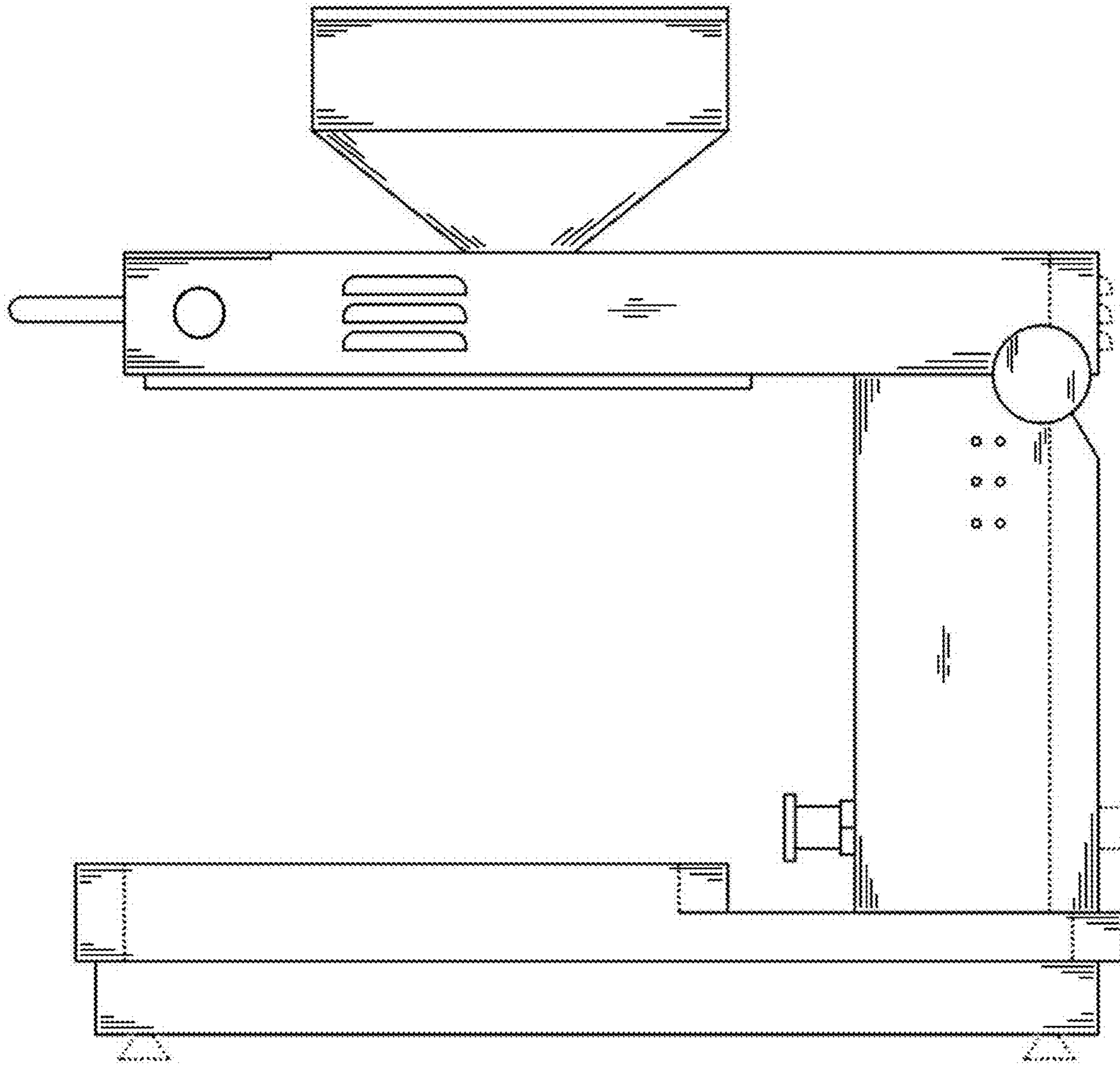


FIG. 3



**FIG. 4**

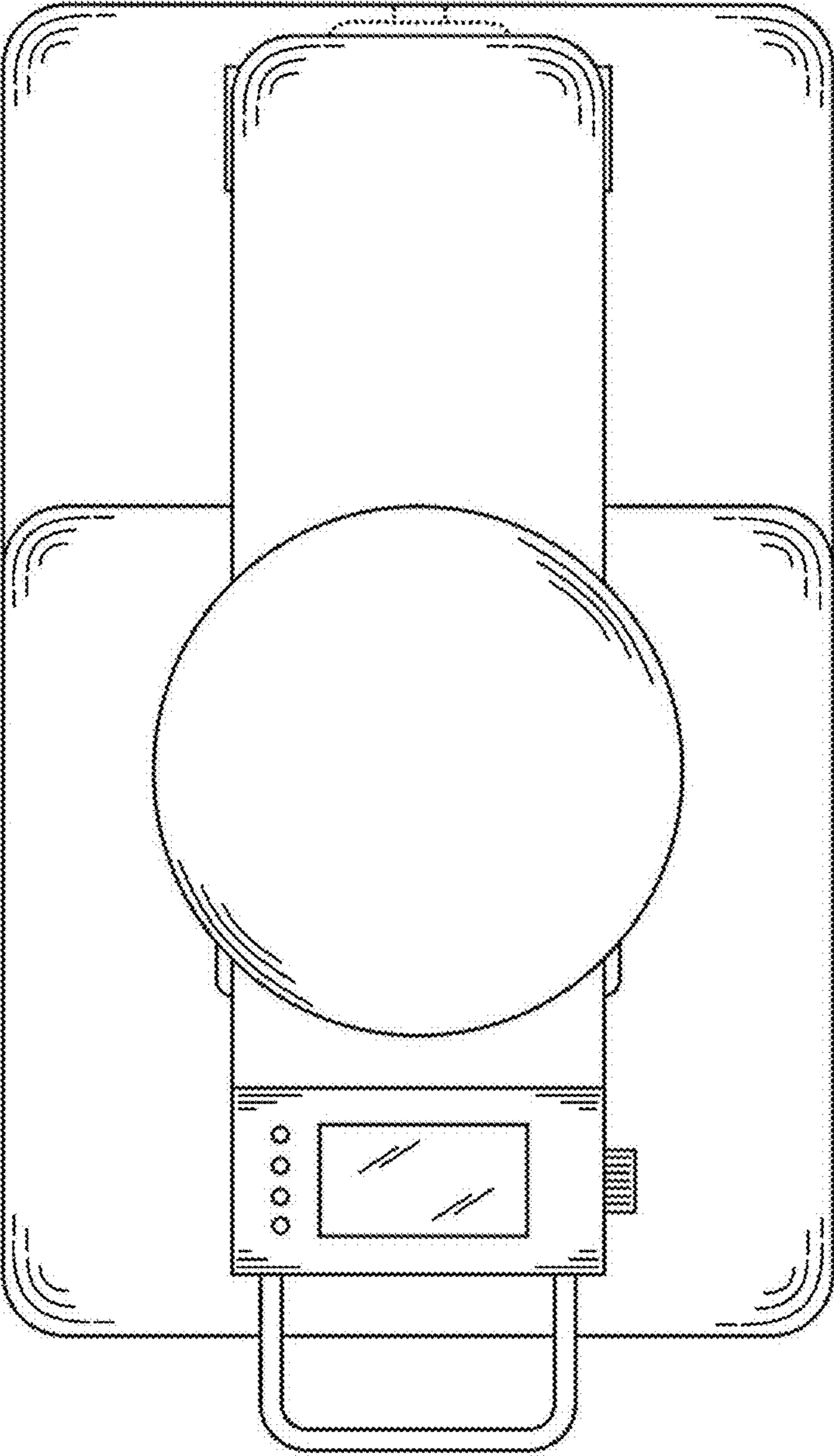


FIG. 5