



US00D901971S

(12) **United States Design Patent** (10) **Patent No.:** **US D901,971 S**
Ferrada (45) **Date of Patent:** **** Nov. 17, 2020**

(54) **ROASTING RACK**

(71) Applicant: **Lifetime Brands, Inc.**, Garden City, NY (US)

(72) Inventor: **Bradley Ferrada**, Forest Hills, NY (US)

(73) Assignee: **Lifetime Brands, Inc.**, Garden City, NY (US)

(**) Term: **15 Years**

(21) Appl. No.: **29/688,959**

(22) Filed: **Apr. 25, 2019**

(51) **LOC (12) Cl.** **07-02**

(52) **U.S. Cl.**
USPC **D7/409**

(58) **Field of Classification Search**
USPC D7/323, 332, 335-337, 354-355, D7/359-364, 387-388, 402, 407-409, D7/673; D9/737; D23/261; D25/155; D30/121
CPC A21B 2/00; A21B 3/00; A21B 3/13; A21B 3/15; A21B 5/00; A21B 5/02; A23N 12/06; A23N 12/08; A23N 12/10; A47J 25/00; A47J 37/00; A47J 37/04; A47J 37/041; A47J 37/042; A47J 37/06; A47J 37/0688; A47J 37/0694; A47J 37/07; A47J 37/0704; A47J 37/10; A47J 47/20; A47J 2037/00; A47J 2037/06; A47J 2037/0611; A47J 2037/07; A47J 2037/0786; A47J 2037/0795; B26D 1/547; B26D 3/26; F24C 15/10; F24C 15/12; F24C 15/14; F24C 15/16; F24C 15/18; F24C 15/164

See application file for complete search history.

(56) **References Cited**

U.S. PATENT DOCUMENTS

1,744,422	A *	1/1930	Taylor	A47J 25/00
					30/302
4,852,256	A *	8/1989	Schoettler	B26D 3/26
					30/114
D364,535	S *	11/1995	Moore	D7/402
D492,425	S *	6/2004	Johnson	D25/155
D505,082	S *	5/2005	Bruce	D9/429
D508,383	S *	8/2005	Endres	D7/673
D568,683	S *	5/2008	Glynn	D7/407
8,863,391	B2 *	10/2014	Bagley	B26D 1/547
					30/114
D730,106	S *	5/2015	Porter	D7/354
D769,546	S *	10/2016	Hansen	D30/121
D772,648	S *	11/2016	Palermo	D7/409
D788,889	S *	6/2017	Hull	D23/261
D789,497	S *	6/2017	Hull	D23/261

* cited by examiner

Primary Examiner — Ricky Pham

(74) *Attorney, Agent, or Firm* — Tutunjian & Bitetto, P.C.

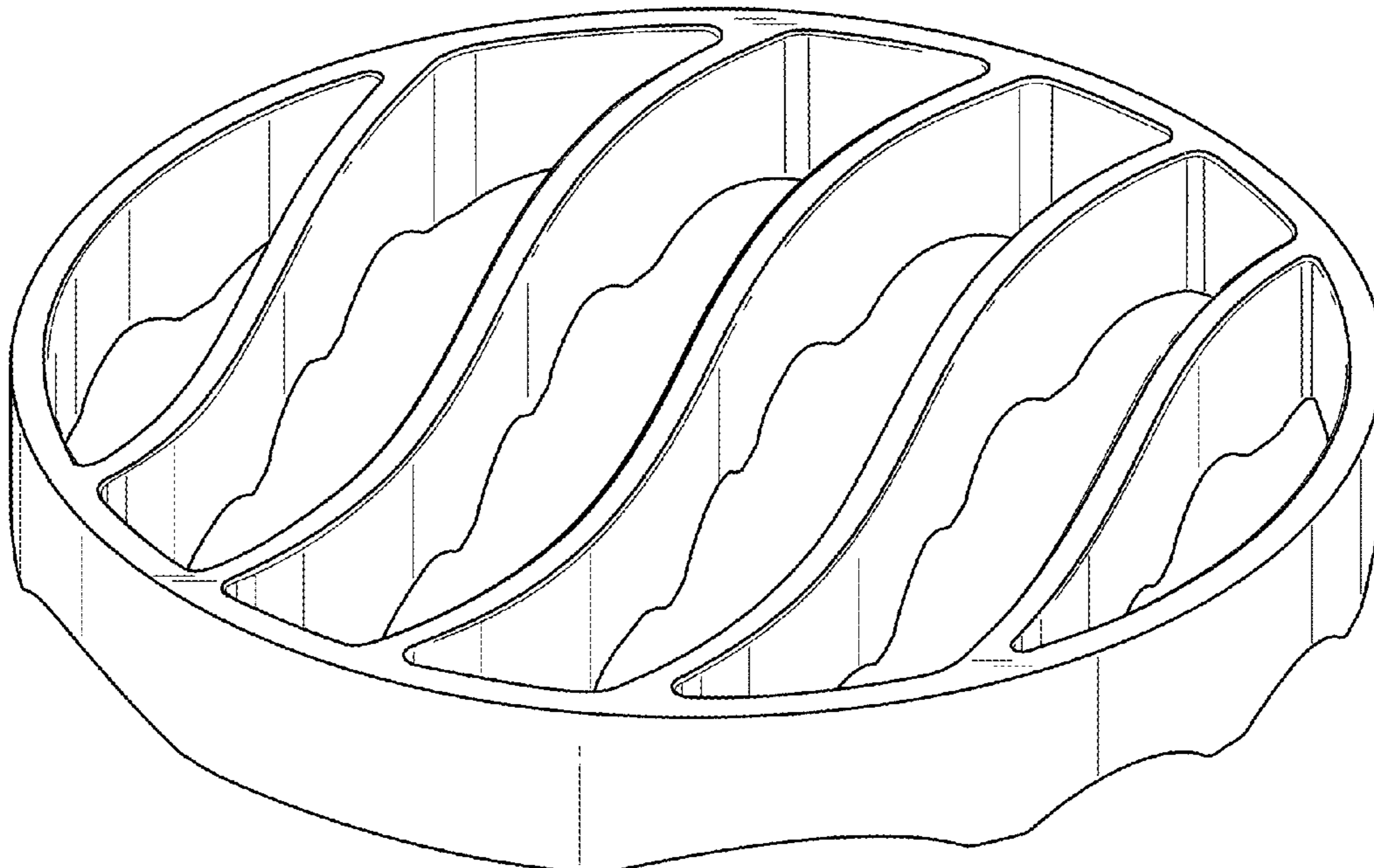
(57) **CLAIM**

The ornamental design for a roasting rack, as shown and described.

DESCRIPTION

FIG. 1 is a perspective view of the roasting rack showing my new design;
FIG. 2 is a top view thereof;
FIG. 3 is a bottom view thereof;
FIG. 4 is front view thereof;
FIG. 5 is a right side view thereof;
FIG. 6 is a rear view thereof; and,
FIG. 7 is a left side view thereof.

1 Claim, 4 Drawing Sheets



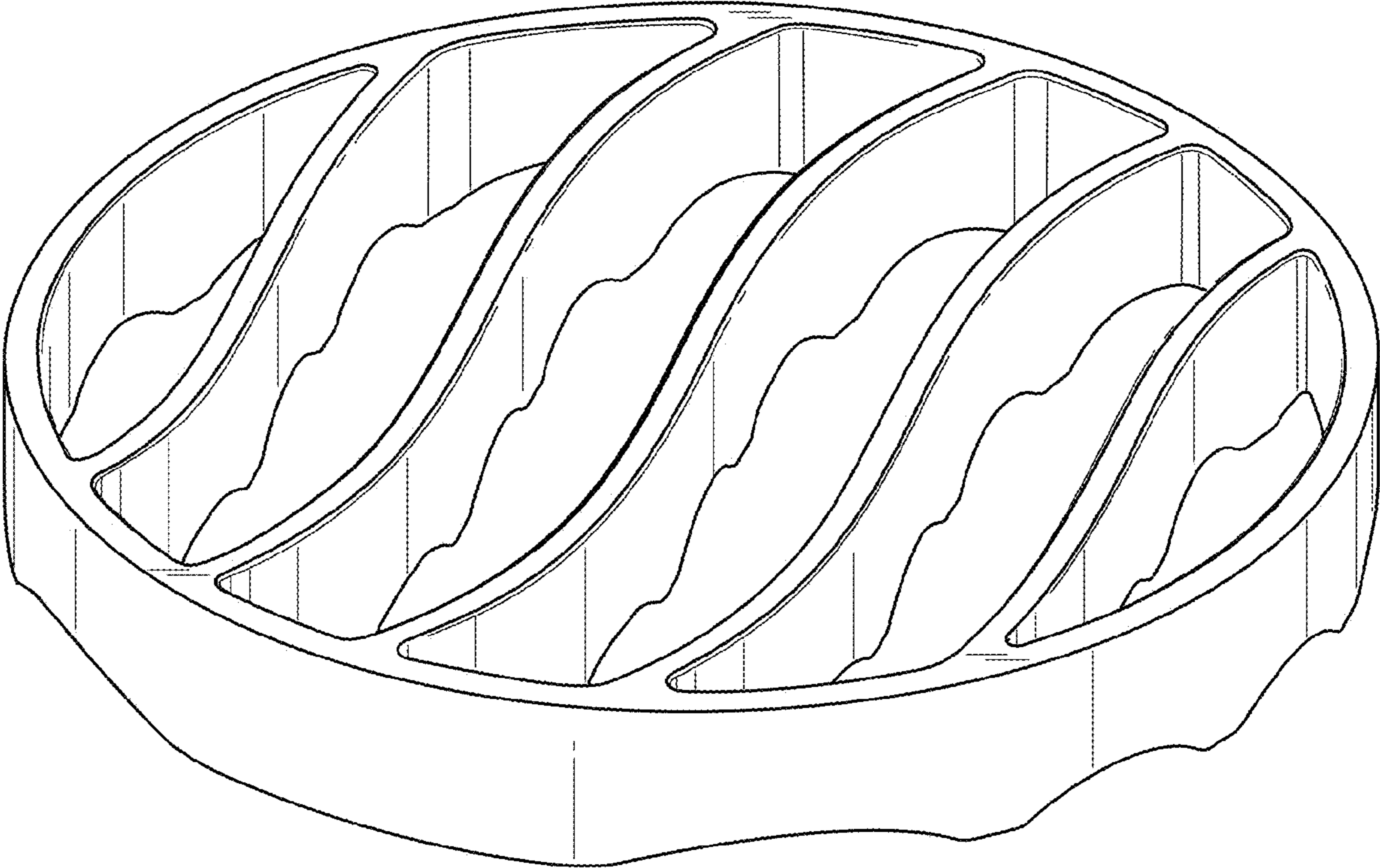


FIG. 1

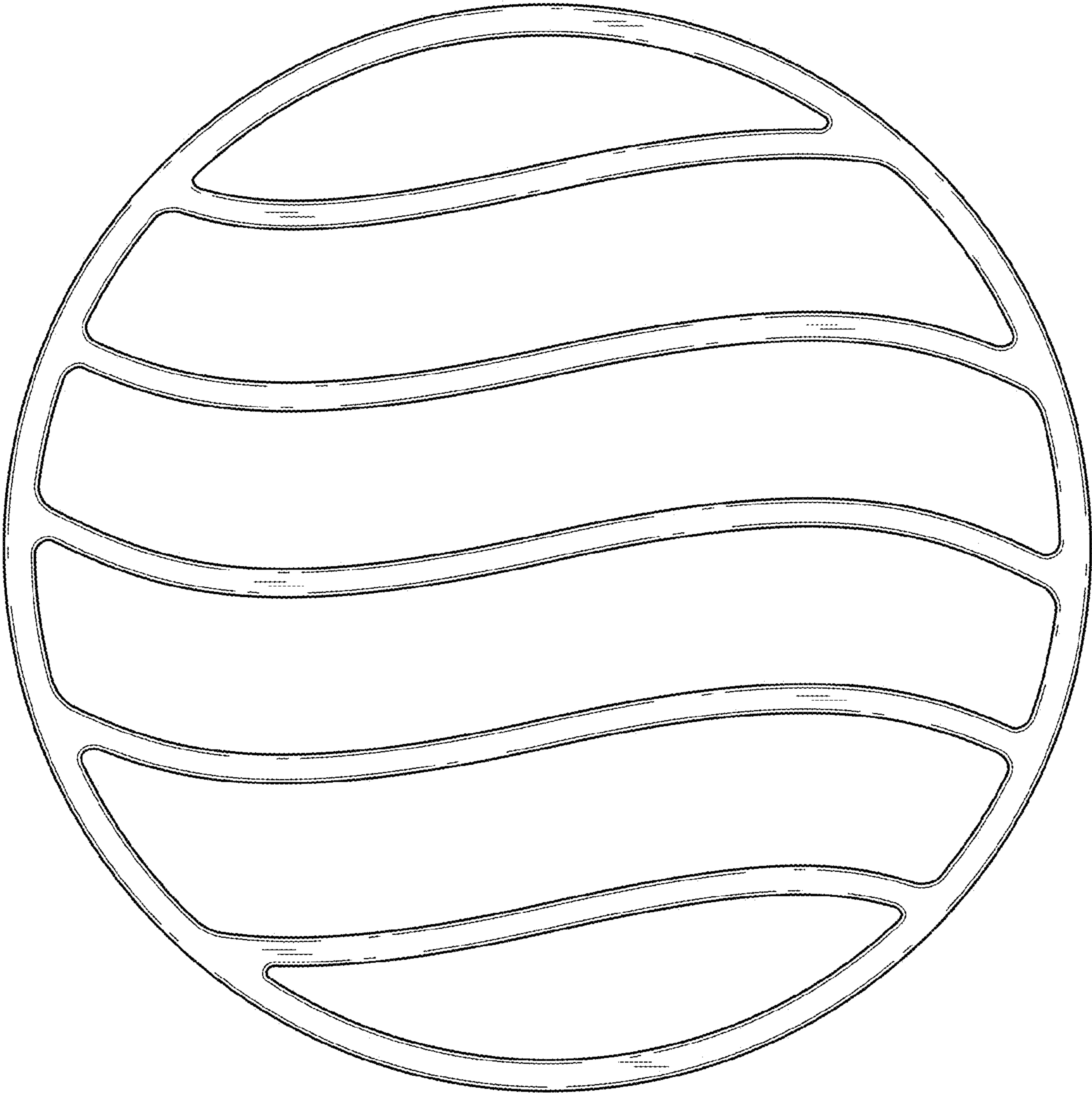


FIG. 2

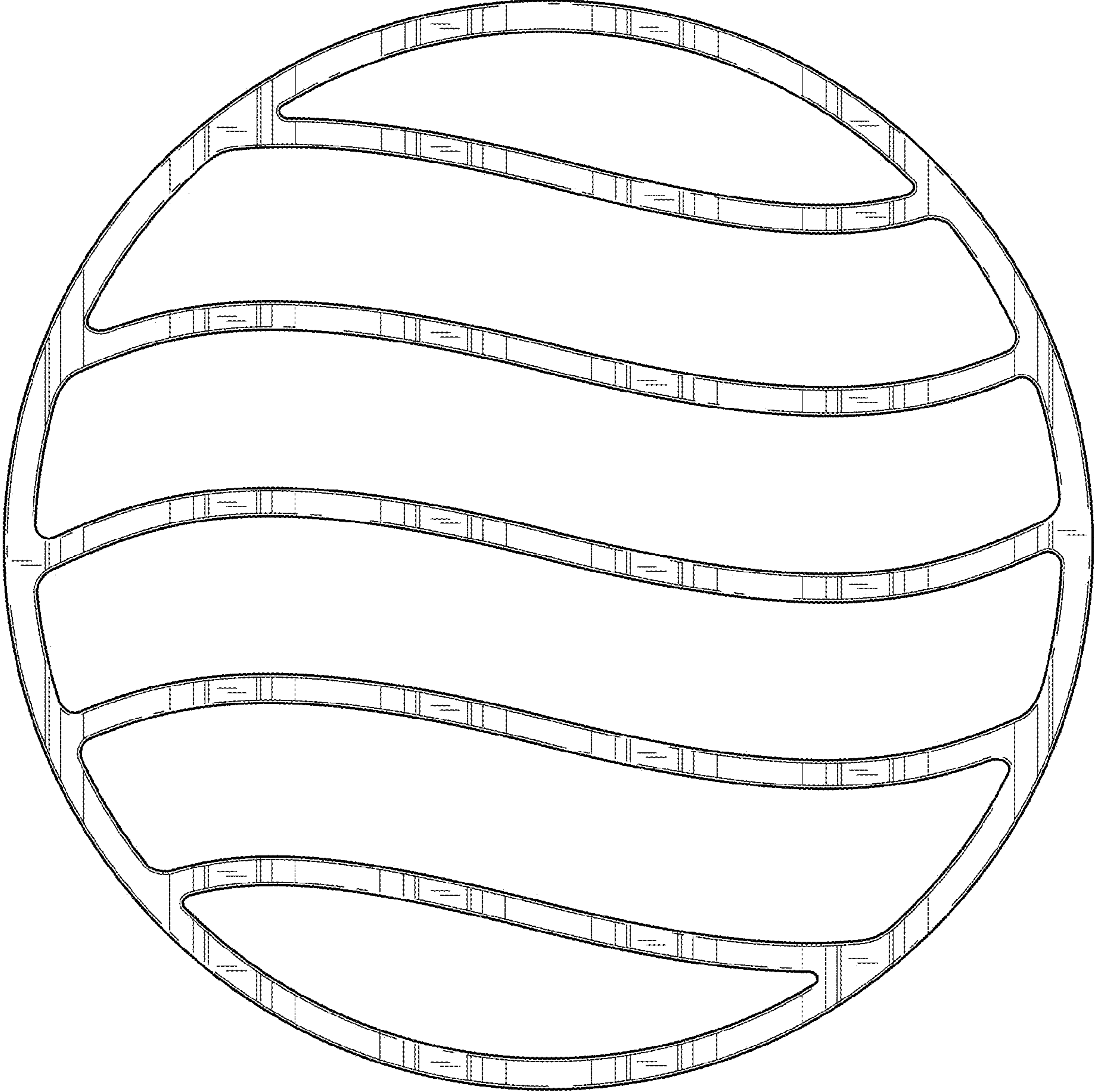


FIG. 3



FIG. 4



FIG. 5

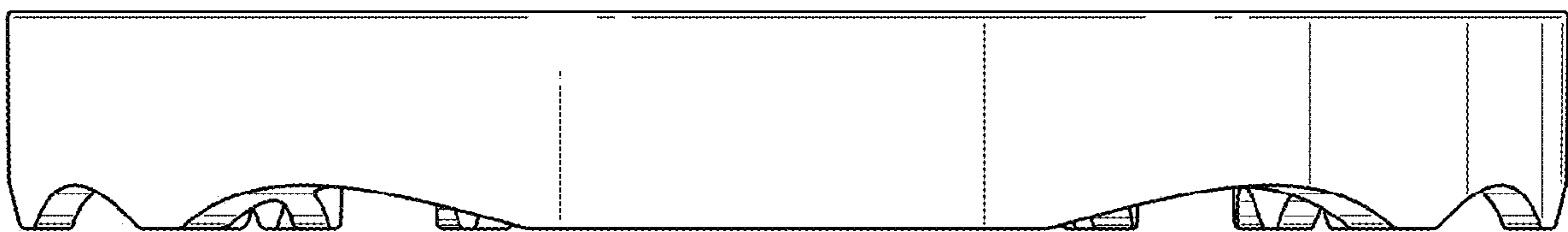


FIG. 6

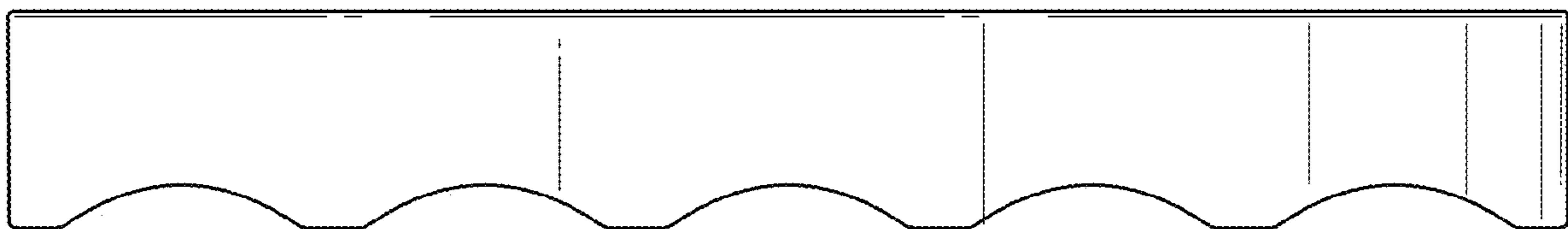


FIG. 7