



US00D901970S

(12) **United States Design Patent**
Benoit et al.

(10) **Patent No.:** **US D901,970 S**

(45) **Date of Patent:** **** Nov. 17, 2020**

(54) **FOOD PROCESSING DEVICE**

(71) Applicant: **WHIRLPOOL CORPORATION**,
Benton Harbor, MI (US)

(72) Inventors: **Kaitlyn M. Benoit**, St. Joseph, MI
(US); **Michael P. Conti**, St. Joseph, MI
(US); **John Dykhouse**, Benton Harbor,
MI (US); **Timothy J. Hicks**, Berrien
Springs, MI (US); **Mitchell L.**
Robertson, Elkhart, IN (US)

(73) Assignee: **Whirlpool Corporation**, Benton
Harbor, MI (US)

(**) Term: **15 Years**

(21) Appl. No.: **29/732,294**

(22) Filed: **Apr. 23, 2020**

Related U.S. Application Data

(63) Continuation of application No. 14/983,735, filed on
Dec. 30, 2015.

(51) **LOC (12) Cl.** **31-00**

(52) **U.S. Cl.**
USPC **D7/401.2; D7/381**

(58) **Field of Classification Search**

USPC D7/372, 376-386, 401.2, 412, 665-666,
D7/669, 678-679, 693-694

CPC A01F 2015/07; A01F 2015/077; A01F
2015/0775; A23N 1/00; A23N 1/02;

A23N 4/14; A47J 17/16; A47J 19/00;
A47J 19/005; A47J 19/02; A47J 19/027;

A47J 19/04; A47J 19/06; A47J 42/32;
A47J 42/34; A47J 42/36; A47J 43/07;

A47J 43/044; A47J 43/25; A47J 43/255;
B01F 7/26; B01F 7/28; B01F 11/0082;

B01F 13/04; B02C 13/00; B02C 13/02;
B02C 13/10; B02C 18/06; B02C 18/26;

B02C 18/30; B02C 18/36; B02C 18/302;
B02C 18/304; B02C 18/305; B02C 25/00;

B02C 2002/00; B02C 2013/00; B02C

2013/14; B02C 2013/145; B02C 2013/18;
B02C 2013/1807; B02C 2013/1857;
B02C 2013/1864; B26D 1/06; B26D
3/11; B26D 3/185; B30B 9/00; B30B
9/16; B30B 9/18;

(Continued)

(56) **References Cited**

U.S. PATENT DOCUMENTS

62,184 A 2/1867 Coe
100,280 A 3/1870 Gerhard
RE9,774 E 6/1881 Whittemore

(Continued)

FOREIGN PATENT DOCUMENTS

CN 2536142 Y 2/2003
DE 971304 C 1/1959
EP 2777447 A1 9/2014

Primary Examiner — Ricky Pham

(74) *Attorney, Agent, or Firm* — Price Heneveld LLP

(57) **CLAIM**

The ornamental design for a food processing device, as
shown and described.

DESCRIPTION

FIG. 1 is a front-right perspective view of a food processing
device according to the design;

FIG. 2 is a back-right perspective view thereof;

FIG. 3 is a front-left perspective view thereof;

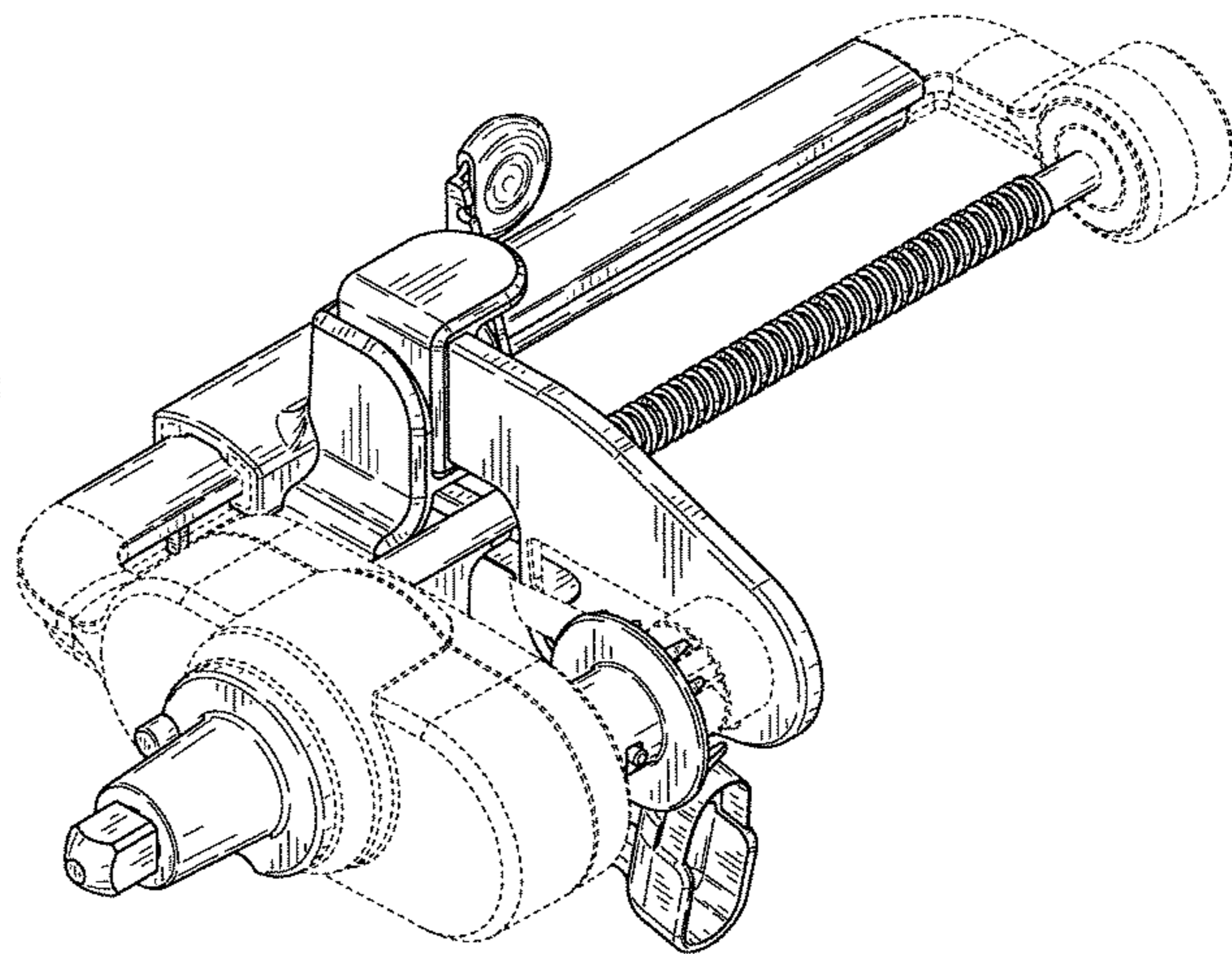
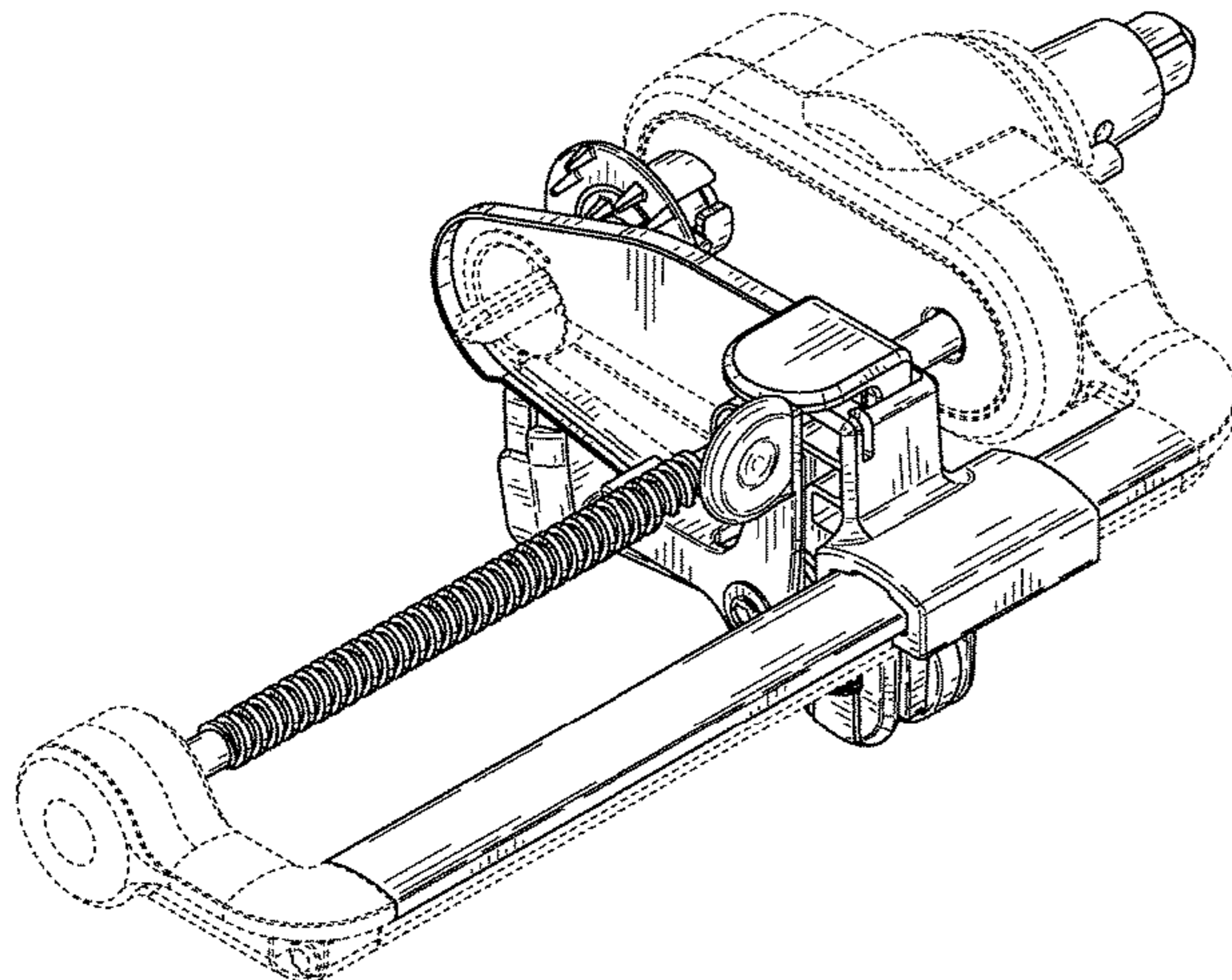
FIG. 4 is a left perspective view thereof; and,

FIG. 5 is a front-right perspective view thereof showing the
food processing device mounted with an environmental
article.

Dash-dot-dash broken lines are environmental only and
form no part of the claimed design.

The portions of the article shown in evenly-dashed broken
line form no part of the claimed design.

1 Claim, 5 Drawing Sheets



US D901,970 S

(58) **Field of Classification Search**
CPC . B30B 9/20; B30B 9/26; B30B 9/205; B30B
9/207
See application file for complete search history.

(56) **References Cited**

U.S. PATENT DOCUMENTS

243,035 A 6/1881 Geer
255,856 A * 4/1882 Heizmann A23N 4/14
99/543
256,214 A 4/1882 Heizmann
256,800 A 4/1882 Holton
273,418 A 3/1883 Whittemore
310,196 A 1/1885 Goodell
1,006,621 A 10/1911 Arnold
1,008,555 A 11/1911 Mower
2,069,654 A 2/1937 Jeppsson et al.
2,130,980 A 9/1938 Chattin et al.
2,156,645 A 5/1939 Waller
2,410,683 A 11/1946 Rios Y Marquez
2,461,249 A 2/1949 Anderson
2,464,993 A 3/1949 Ross
2,508,868 A 5/1950 Ross
2,537,852 A * 1/1951 Peterson A47J 43/07
209/355
2,693,210 A 11/1954 Gustafson
2,931,404 A 4/1960 Gildo
3,211,202 A 10/1965 Mason
3,357,469 A 12/1967 Pease et al.
3,374,818 A 3/1968 Knoedler
RE26,684 E 10/1969 Mason
3,881,406 A 5/1975 Perez
3,952,621 A 4/1976 Chambos
4,137,839 A 2/1979 Couture et al.
4,287,820 A 9/1981 Urban

4,581,990 A 4/1986 Matsumoto
4,619,192 A 10/1986 Cycyk et al.
4,628,808 A 12/1986 Simon
4,704,959 A 11/1987 Scallen
4,741,265 A 5/1988 Cushman
4,753,159 A 6/1988 Eaton
4,765,234 A 8/1988 Cailliot
5,138,940 A 8/1992 Geissler et al.
5,558,011 A 9/1996 Heim
5,690,022 A 11/1997 Chai
RE36,155 E 3/1999 Scallen
5,950,528 A 9/1999 Wang
5,957,045 A 9/1999 He et al.
6,053,098 A 4/2000 Yamamoto
6,082,253 A 7/2000 Ridler
6,125,744 A 10/2000 Martin
6,269,740 B2 8/2001 Kojs
6,327,971 B1 12/2001 Ridler
6,408,520 B1 6/2002 Ridler
6,412,177 B1 7/2002 Ridler
6,523,464 B1 2/2003 Widelo
6,854,383 B2 * 2/2005 Wang A47J 17/16
99/542
D535,534 S * 1/2007 Wong D7/693
D669,324 S * 10/2012 Bodum D7/693
D701,078 S * 3/2014 Gonzalez D7/379
D739,678 S * 9/2015 Benoit D7/412
D773,894 S 12/2016 Benoit et al.
D797,495 S * 9/2017 McConnell D7/381
10,099,396 B2 * 10/2018 Cheung B26D 3/185
D861,425 S * 10/2019 McConnell D7/401.2
10,433,559 B2 * 10/2019 Devito B26D 1/06
2012/0090480 A1 * 4/2012 Caspar B26D 3/11
99/537
2016/0255982 A1 9/2016 Benoit
2017/0135526 A1 * 5/2017 Conti A47J 19/027

* cited by examiner

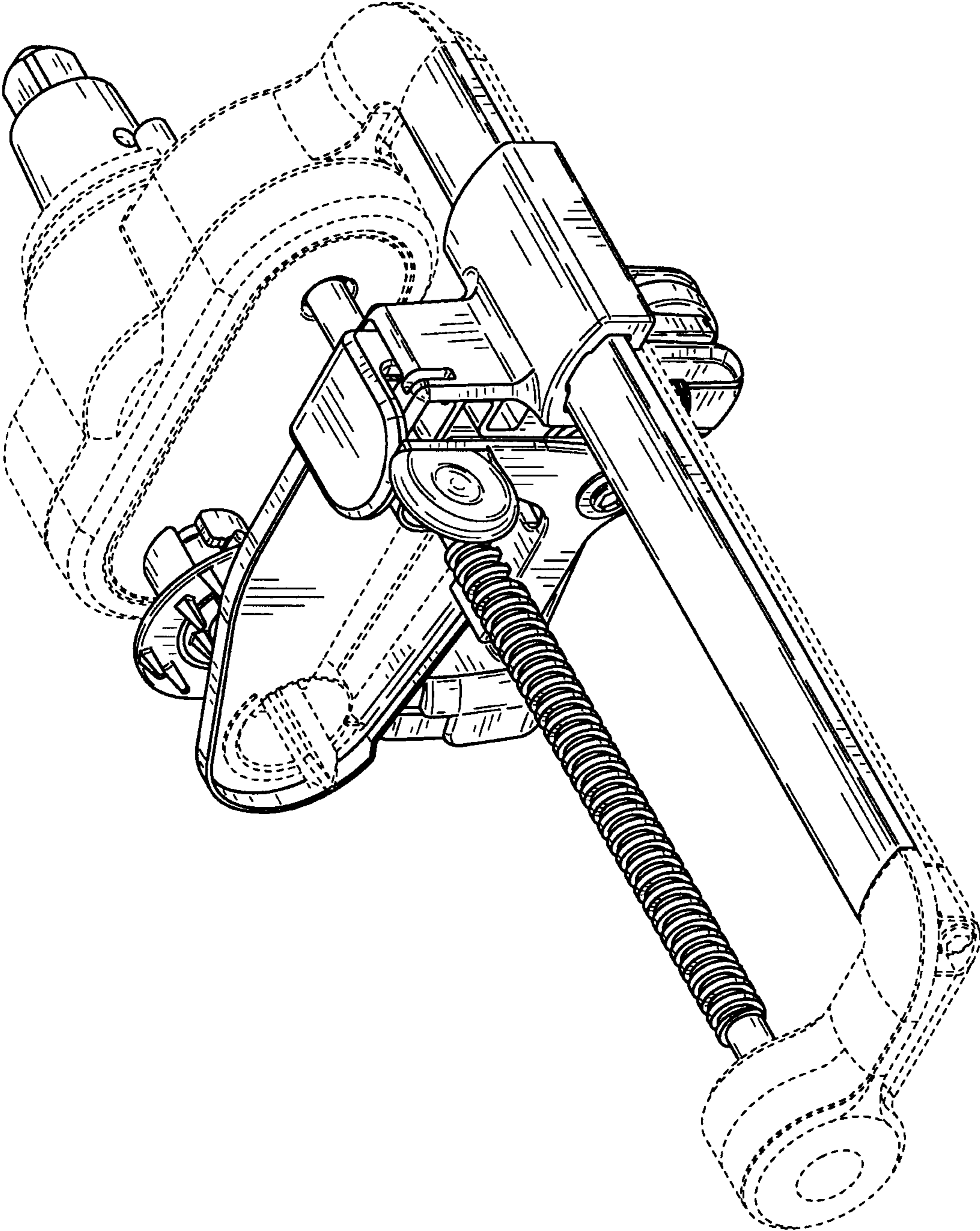


FIG. 1

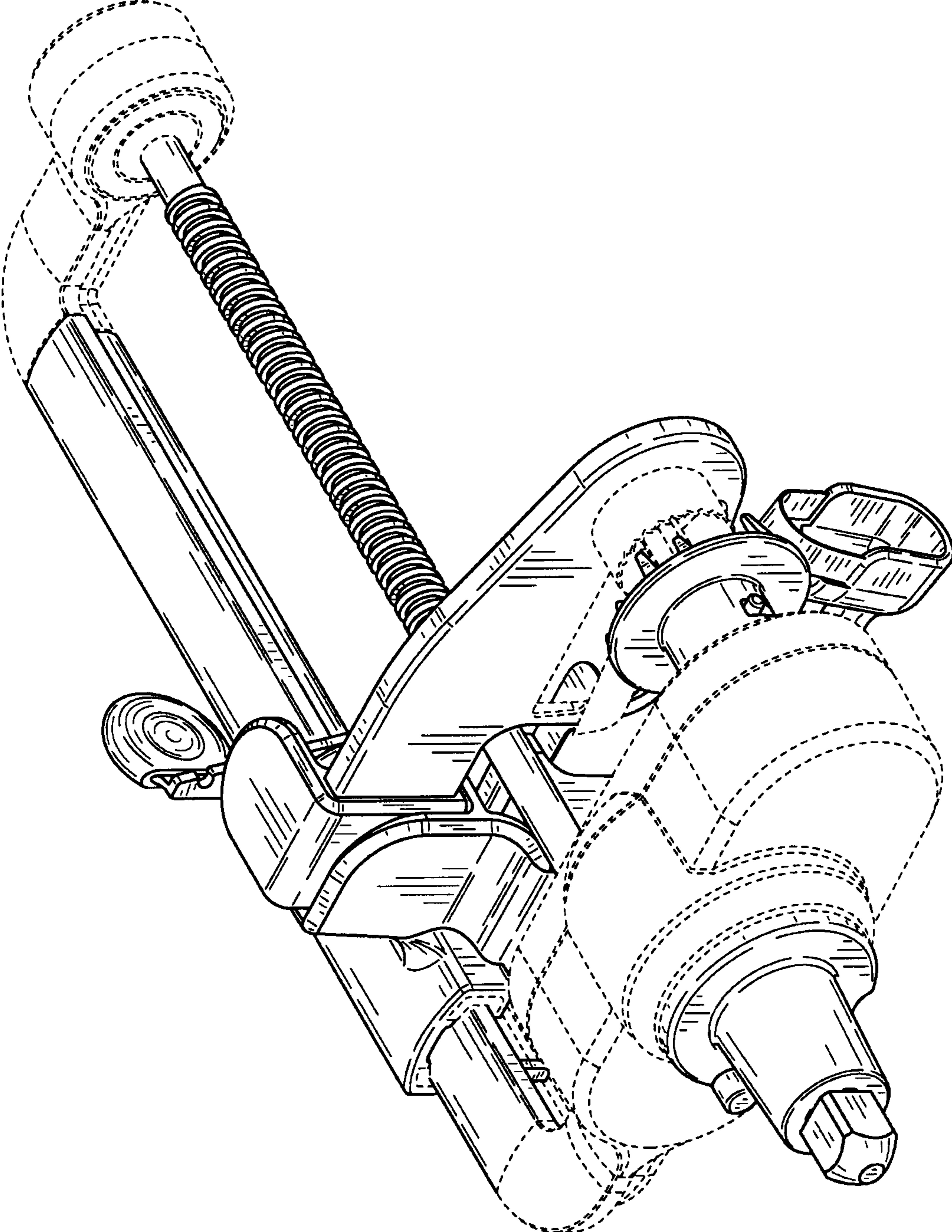


FIG. 2

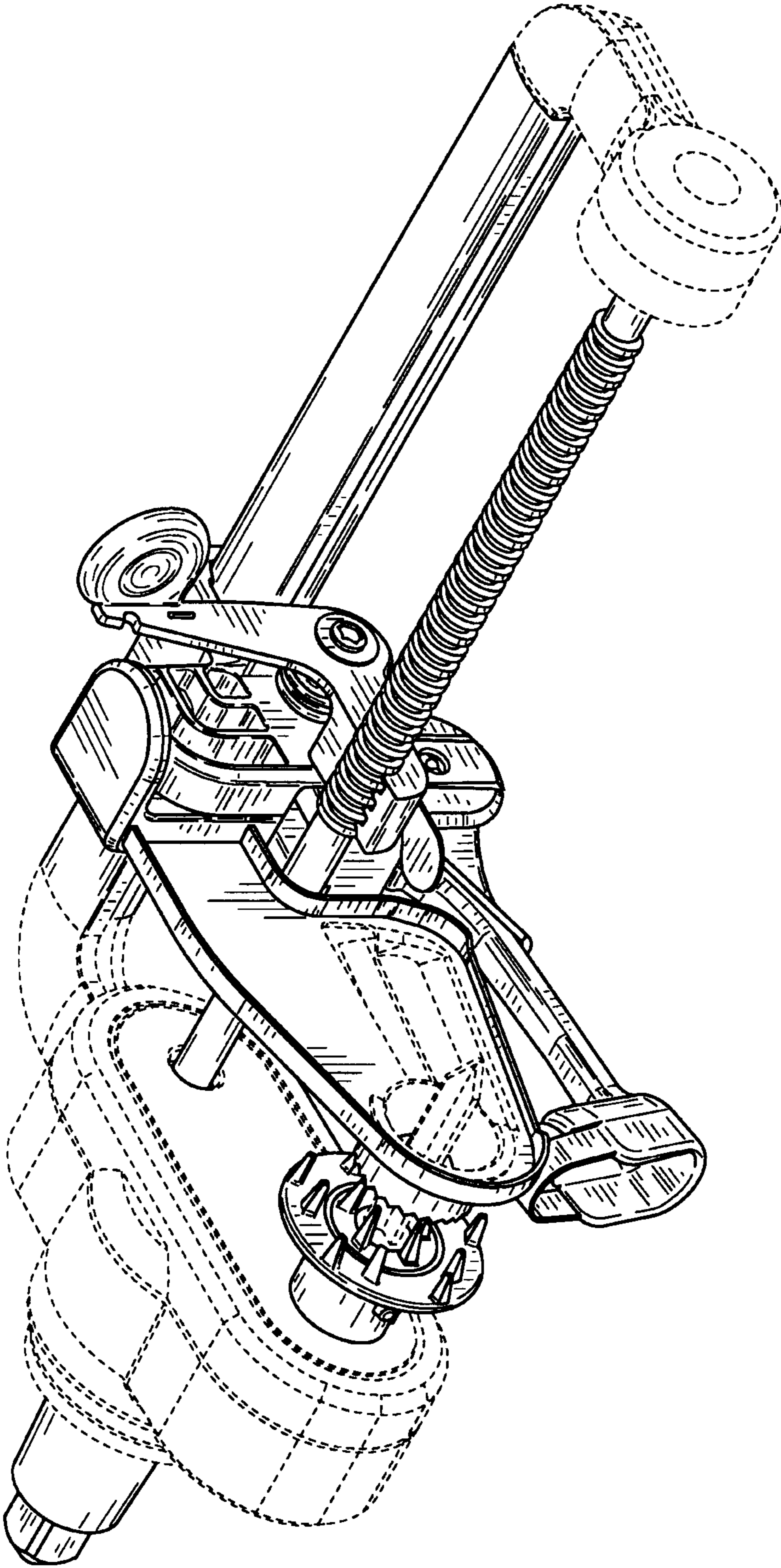


FIG. 3

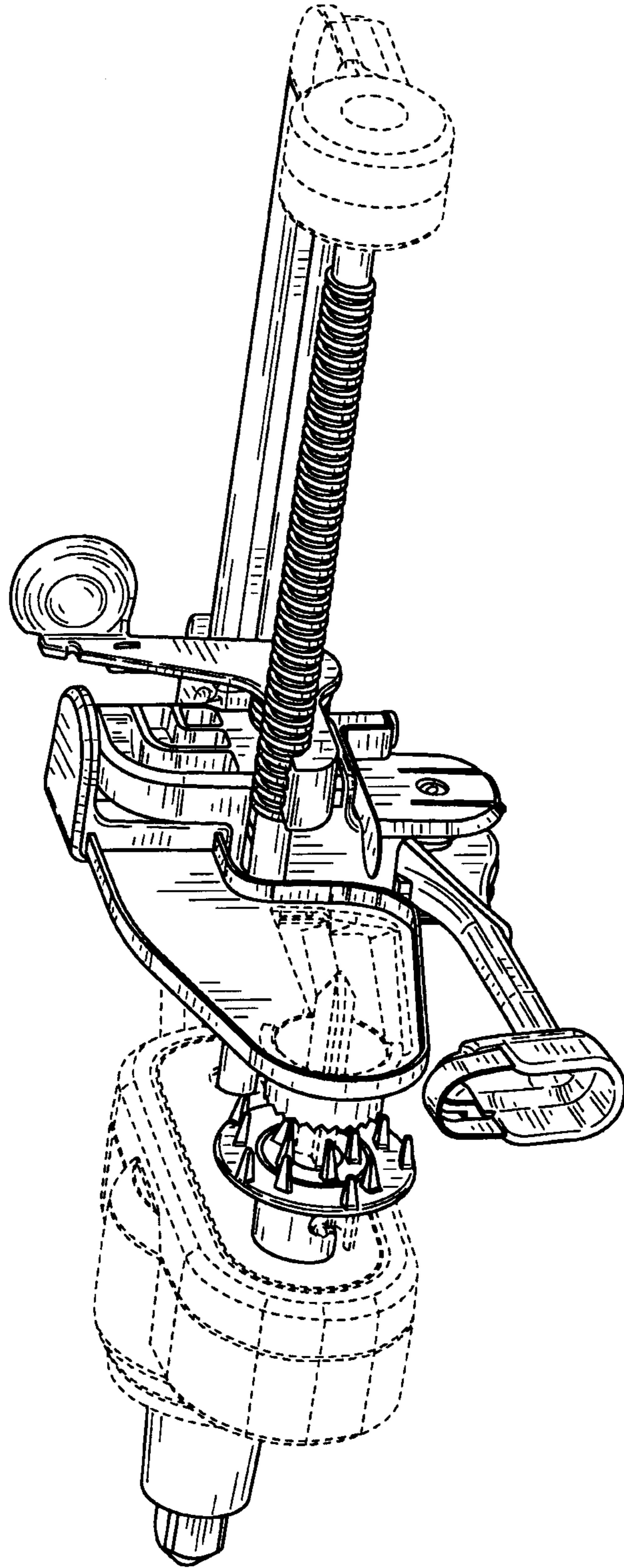


FIG. 4

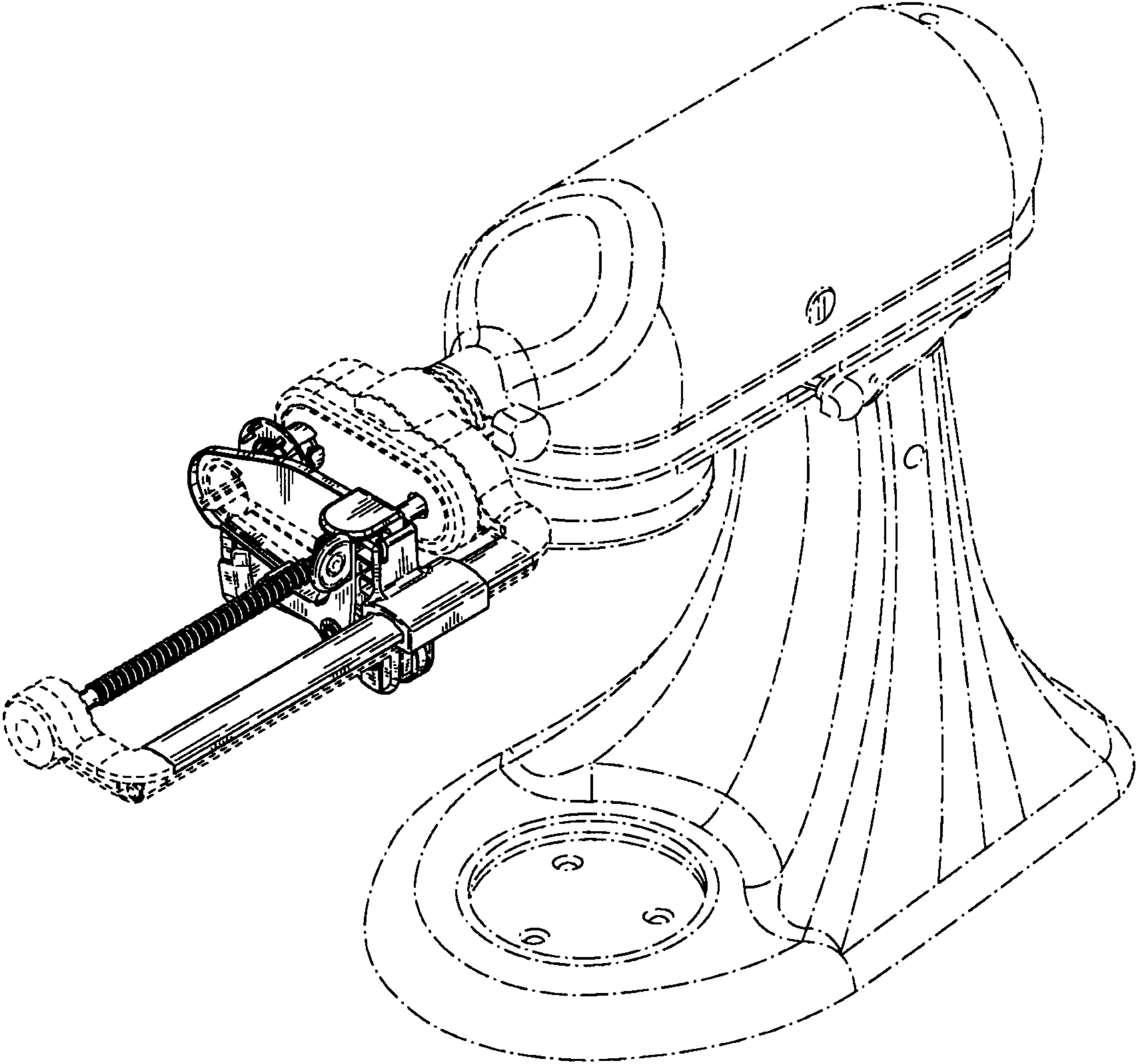


FIG. 5