



US00D901968S

(12) **United States Design Patent** (10) **Patent No.:** **US D901,968 S**
Hoare et al. (45) **Date of Patent:** **** Nov. 17, 2020**

(54) **KETTLE BASE**
(71) Applicant: **Breville Pty Limited**, Alexandria (AU)
(72) Inventors: **Richard Hoare**, Alexandria (AU);
James Morton, Alexandria (AU)

D686,878 S * 7/2013 Grasselli D7/397
D707,496 S * 6/2014 Dorn D7/619.1
D760,022 S * 6/2016 Garvey D7/367
D814,849 S * 4/2018 Lee D7/367
D824,723 S * 8/2018 Averty D7/396.6
2014/0295678 A1* 10/2014 Garvey A47J 27/2105
439/11

(73) Assignee: **Breville Pty Limited**, Alexandria (AU)
(**) Term: **15 Years**

FOREIGN PATENT DOCUMENTS

GB 2040354 A 8/1980

(21) Appl. No.: **29/647,704**

* cited by examiner

(22) Filed: **May 15, 2018**

Primary Examiner — Susan E Krakower

Assistant Examiner — Andrew Kerr

(30) **Foreign Application Priority Data**

(74) *Attorney, Agent, or Firm* — Moser Taboada

Nov. 16, 2017 (AU) 201716981

(57) **CLAIM**

The ornamental design for a kettle base, as shown and described.

(51) **LOC (12) Cl.** **07-99**

DESCRIPTION

(52) **U.S. Cl.**

USPC **D7/396.6**; D7/399

FIG. 1 is a front isometric view of a kettle base, showing our new design;

(58) **Field of Classification Search**

USPC D7/387, 397, 399, 396.1, 396.2; D10/87,

D10/91, 94, 103; D9/434, 455

CPC A47J 27/21058; A47J 21/21008; A47J

21/21041; G01G 19/413; G01G 19/40

See application file for complete search history.

FIG. 2 is a rear isometric view thereof;

FIG. 3 is a top plan view thereof;

FIG. 4 is a left side elevation view thereof;

FIG. 5 is a front elevation view thereof;

FIG. 6 is a right side elevation view thereof;

FIG. 7 is a rear elevation view thereof; and,

FIG. 8 is a bottom plan view thereof.

The broken lines in FIG. 8 depict a portion of the kettle base that forms no part of the claimed design.

(56) **References Cited**

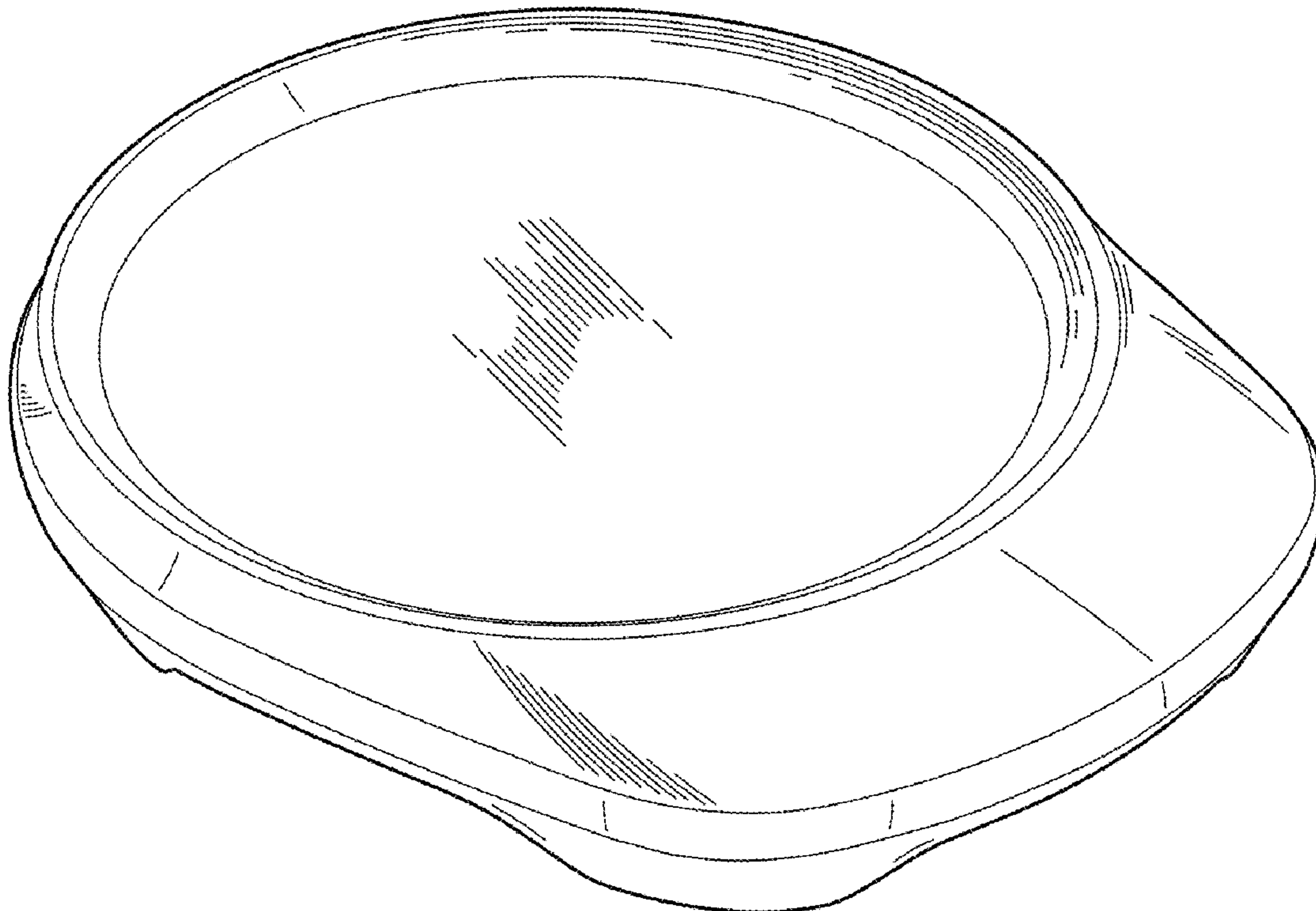
U.S. PATENT DOCUMENTS

4,858,590 A * 8/1989 Bailey A47J 36/02

126/39 H

D571,832 S * 6/2008 Ota D15/138

1 Claim, 8 Drawing Sheets



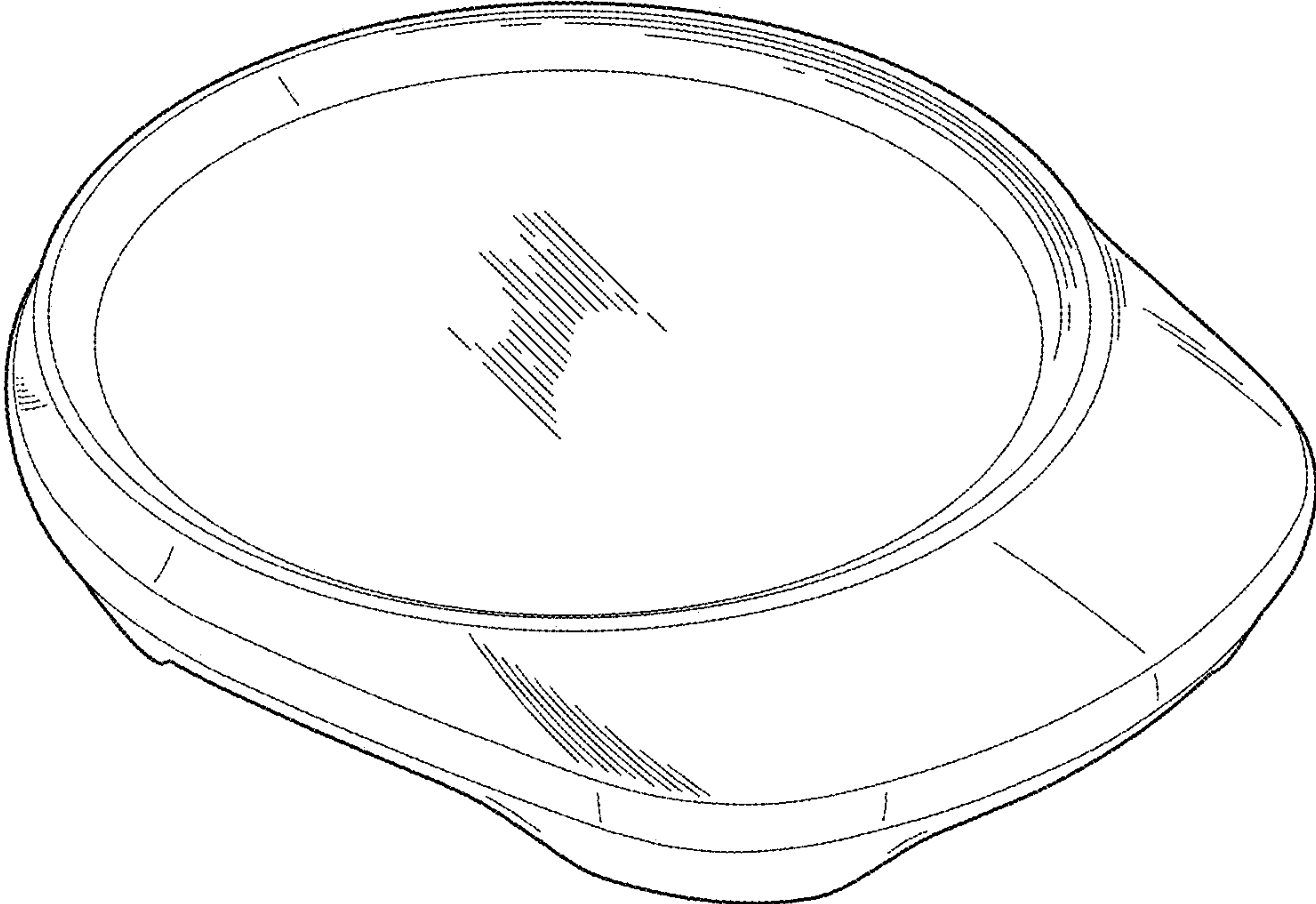


FIG. 1

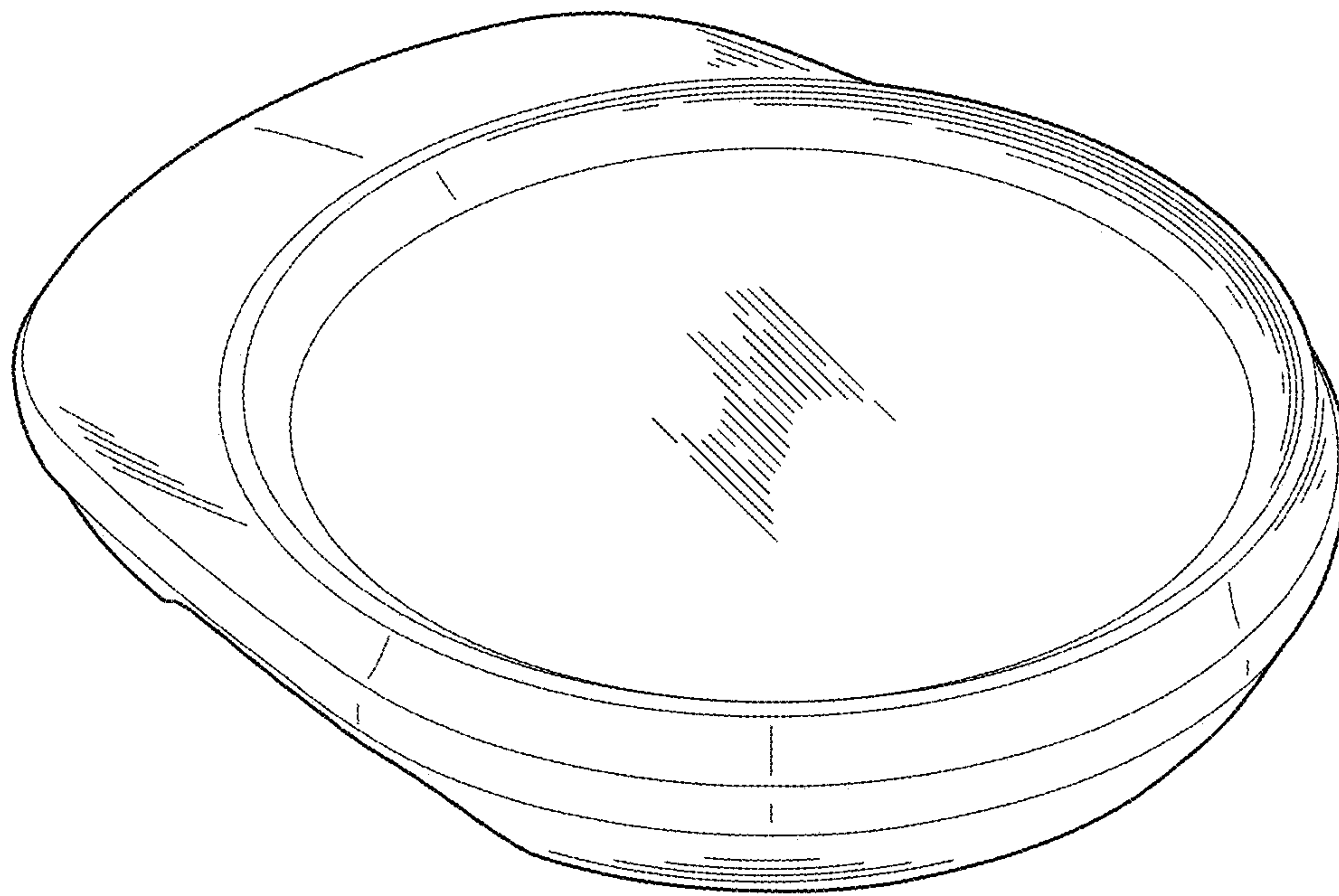


FIG. 2

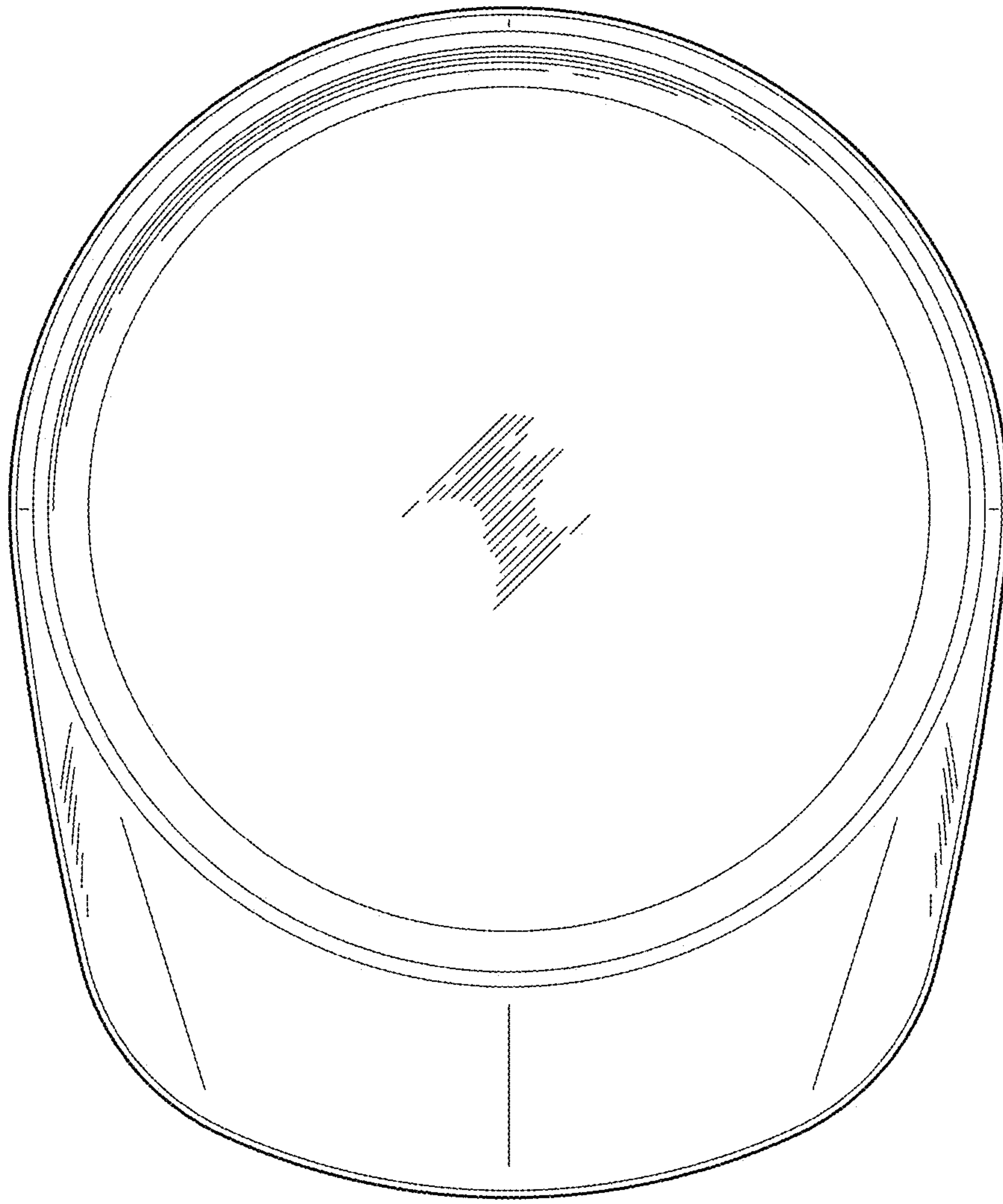


FIG. 3

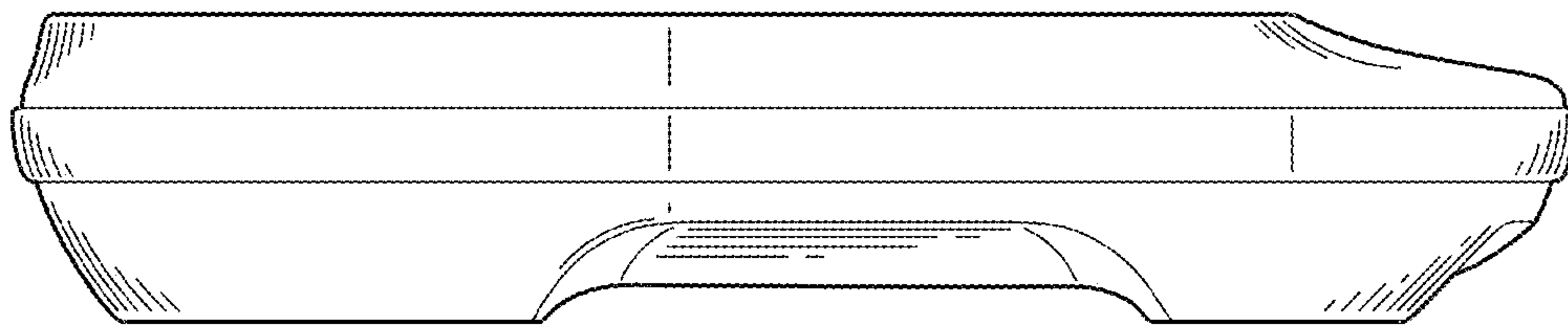


FIG. 4

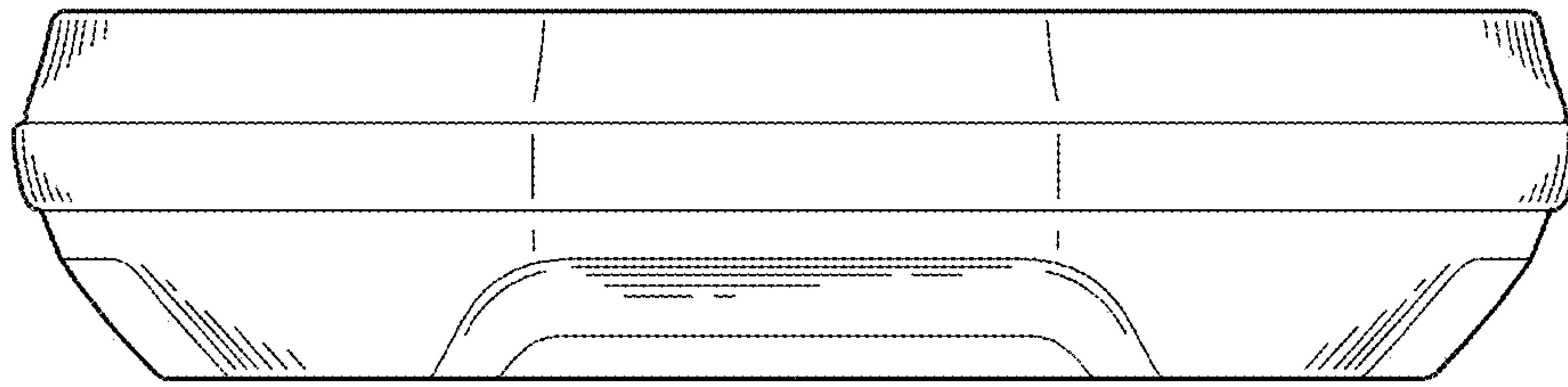


FIG. 5

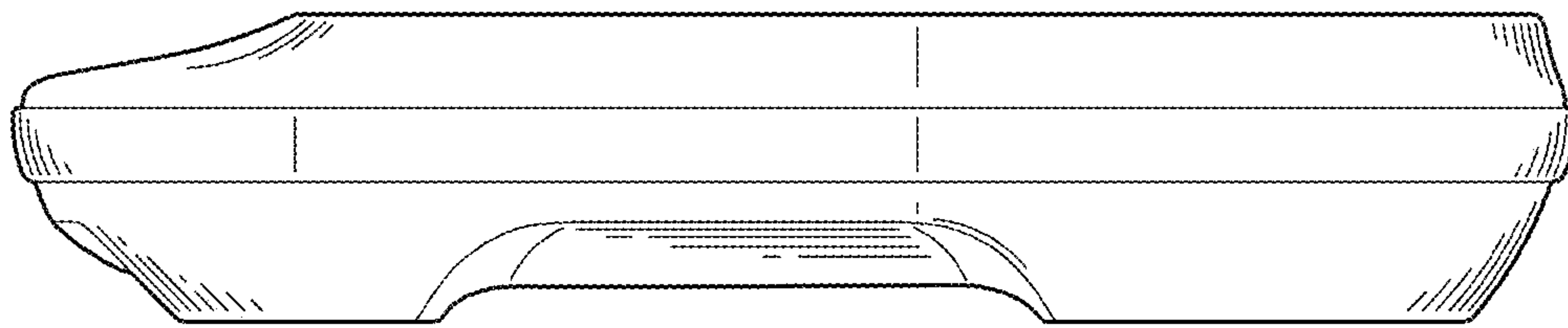


FIG. 6

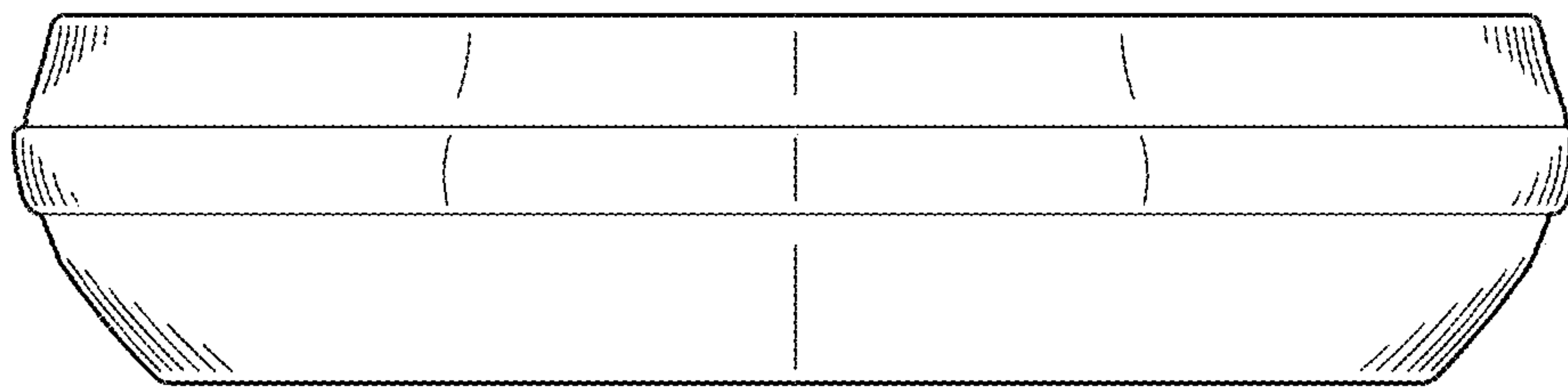


FIG. 7

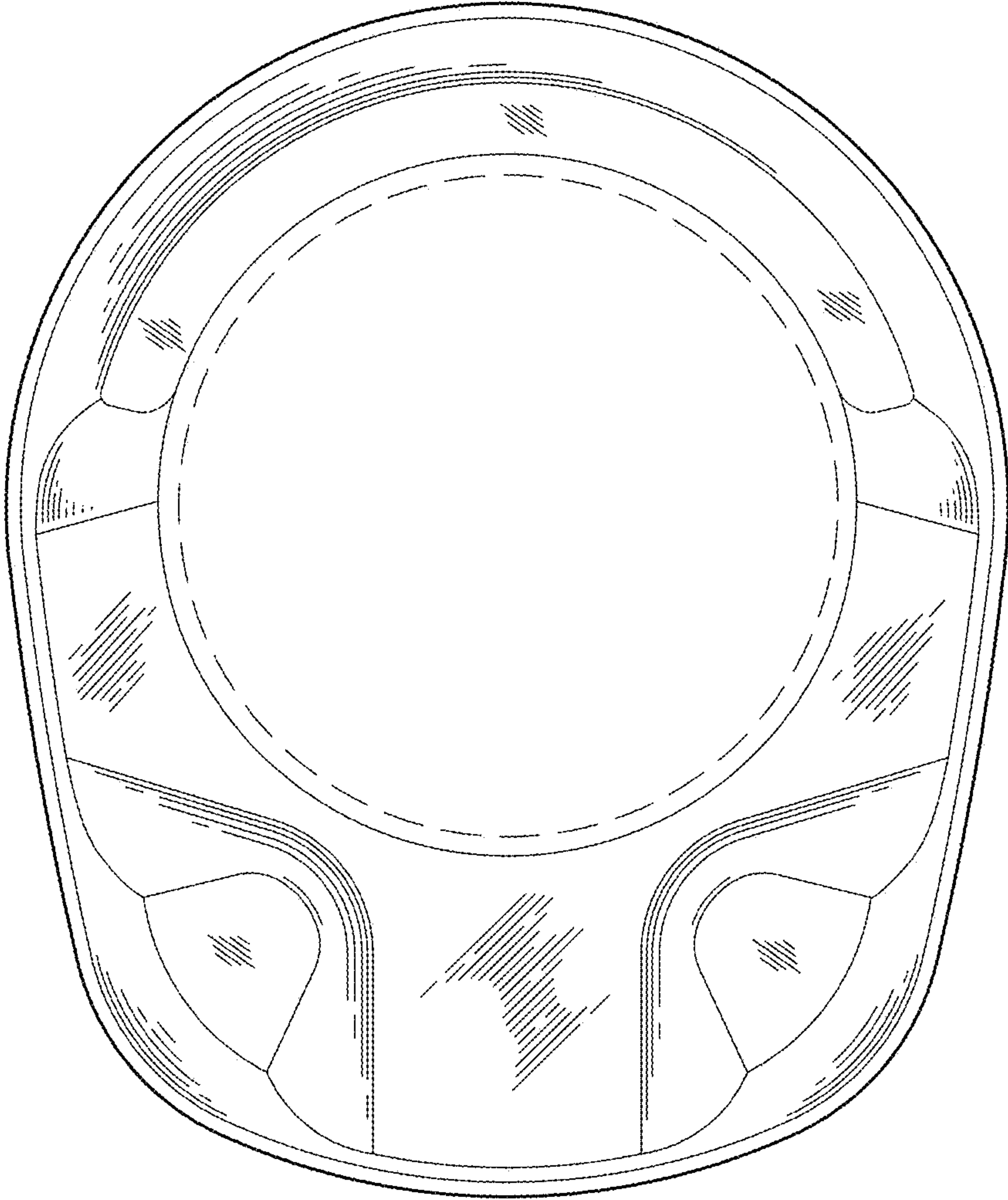


FIG. 8