



US00D901967S

(12) **United States Design Patent** (10) **Patent No.:** **US D901,967 S**
Palese (45) **Date of Patent:** **** *Nov. 17, 2020**

(54) **GRINDER HEAD COOLER** 2013/1807; B02C 2013/1857; B02C 2013/1864; B30B 9/00;

(71) Applicant: **Blue Sky Innovation Group, Inc.**, Avon, OH (US)

(Continued)

(72) Inventor: **Jeffrey W. Palese**, North Ridgeville, OH (US)

(56) **References Cited**

(73) Assignee: **BLUE SKY INNOVATION GROUP, INC.**, Avon, OH (US)

U.S. PATENT DOCUMENTS

3,282,068 A * 11/1966 Cain F25D 3/08 62/457.1
3,933,377 A * 1/1976 Arrowood F16L 3/00 285/61

(*) Notice: This patent is subject to a terminal disclaimer.

(Continued)

(**) Term: **15 Years**

Primary Examiner — Ricky Pham

(74) *Attorney, Agent, or Firm* — Tarolli, Sundheim, Covell & Tummino LLP

(21) Appl. No.: **29/659,618**

(22) Filed: **Aug. 10, 2018**

(57) **CLAIM**

The ornamental design for a grinder head cooler, as shown and described.

Related U.S. Application Data

(63) Continuation-in-part of application No. 14/686,448, filed on Apr. 14, 2015, now abandoned.

(51) **LOC (12) Cl.** **31-00**

(52) **U.S. Cl.**
USPC **D7/372**

(58) **Field of Classification Search**
USPC D7/372, 376–386, 665–666, 669, D7/678–679, 693–694

CPC A01F 2015/07; A01F 2015/077; A01F 2015/0775; A23N 1/00; A23N 1/02; A47J 19/00; A47J 19/005; A47J 19/02; A47J 19/025; A47J 19/04; A47J 19/06; A47J 42/32; A47J 42/34; A47J 42/36; A47J 43/044; A47J 43/25; A47J 43/255; B01F 7/26; B01F 7/28; B01F 11/0082; B01F 13/04; B02C 13/00; B02C 13/02; B02C 13/10; B02C 18/06; B02C 18/26; B02C 18/30; B02C 18/302; B02C 18/304; B02C 18/305; B02C 25/00; B02C 2002/00; B02C 2013/00; B02C 2013/14; B02C 2013/145; B02C 2013/18; B02C

DESCRIPTION

FIG. 1 is a perspective view of a grinder head cooler illustrating our new design.

FIG. 2 is a front-top perspective view of a grinder head cooler illustrating our new design.

FIG. 3 is a rear-bottom perspective view of a grinder head cooler illustrating our new design.

FIG. 4 is a front view of a grinder head cooler illustrating our new design.

FIG. 5 is a rear view of a grinder head cooler illustrating our new design.

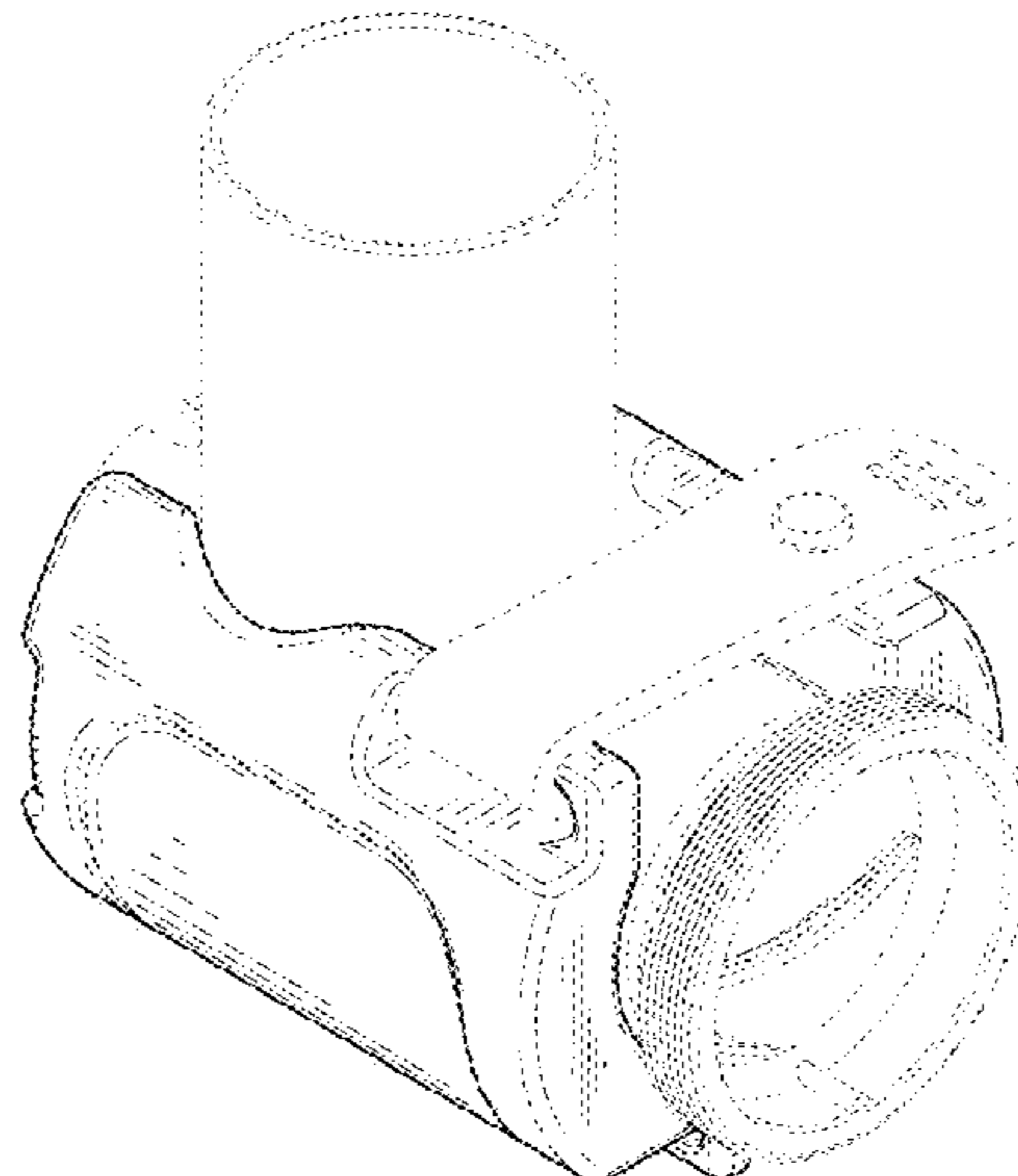
FIG. 6 is a right side view of a grinder head cooler illustrating our new design.

FIG. 7 is a left side view of a grinder head cooler illustrating our new design.

FIG. 8 is a top view of a grinder head cooler illustrating our new design; and,

FIG. 9 is a bottom view of a grinder head cooler illustrating our new design.

(Continued)



The broken lines in the drawings represent unclaimed environment only and form no part of the claimed design.

1 Claim, 5 Drawing Sheets

(58) **Field of Classification Search**

CPC B30B 9/16; B30B 9/18; B30B 9/20; B30B 9/26; B30B 9/205; B30B 9/207; F16L 3/00; F16L 3/11; F16L 3/133; F16L 3/1008; F16L 55/035; F16L 59/024; F16L 59/135; F24H 1/105; F25D 3/08; A22C 17/0026

See application file for complete search history.

(56)

References Cited

U.S. PATENT DOCUMENTS

4,146,203	A *	3/1979	Williams	F16L 3/11 138/107
4,281,520	A *	8/1981	Norwood	F25D 3/08 62/372
5,192,039	A *	3/1993	Williams	F16L 59/135 138/107
6,031,972	A *	2/2000	Barker	F24H 1/105 138/33
6,126,119	A *	10/2000	Giangrasso	F16L 55/035 248/58
7,677,505	B2 *	3/2010	Deichman	F16L 3/1008 138/106
D799,261	S *	10/2017	Palese	D7/382
9,903,512	B2 *	2/2018	Sixsmith	F16L 3/133
10,288,209	B2 *	5/2019	Zagorski	F16L 59/024
D879,547	S *	3/2020	Palese	D7/372
2012/0286077	A1 *	11/2012	York	A22C 17/0026 241/24.16

* cited by examiner

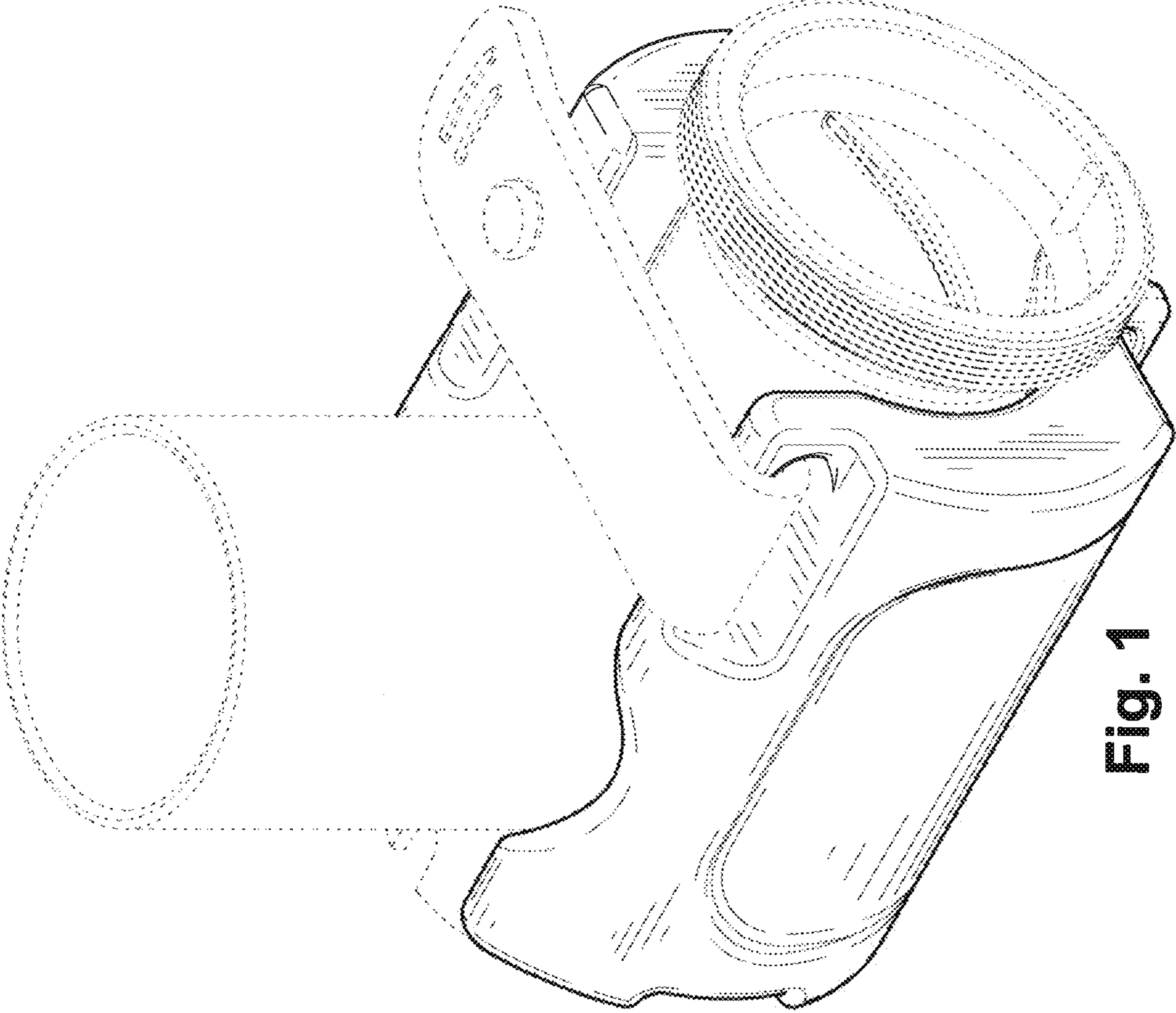


Fig. 1

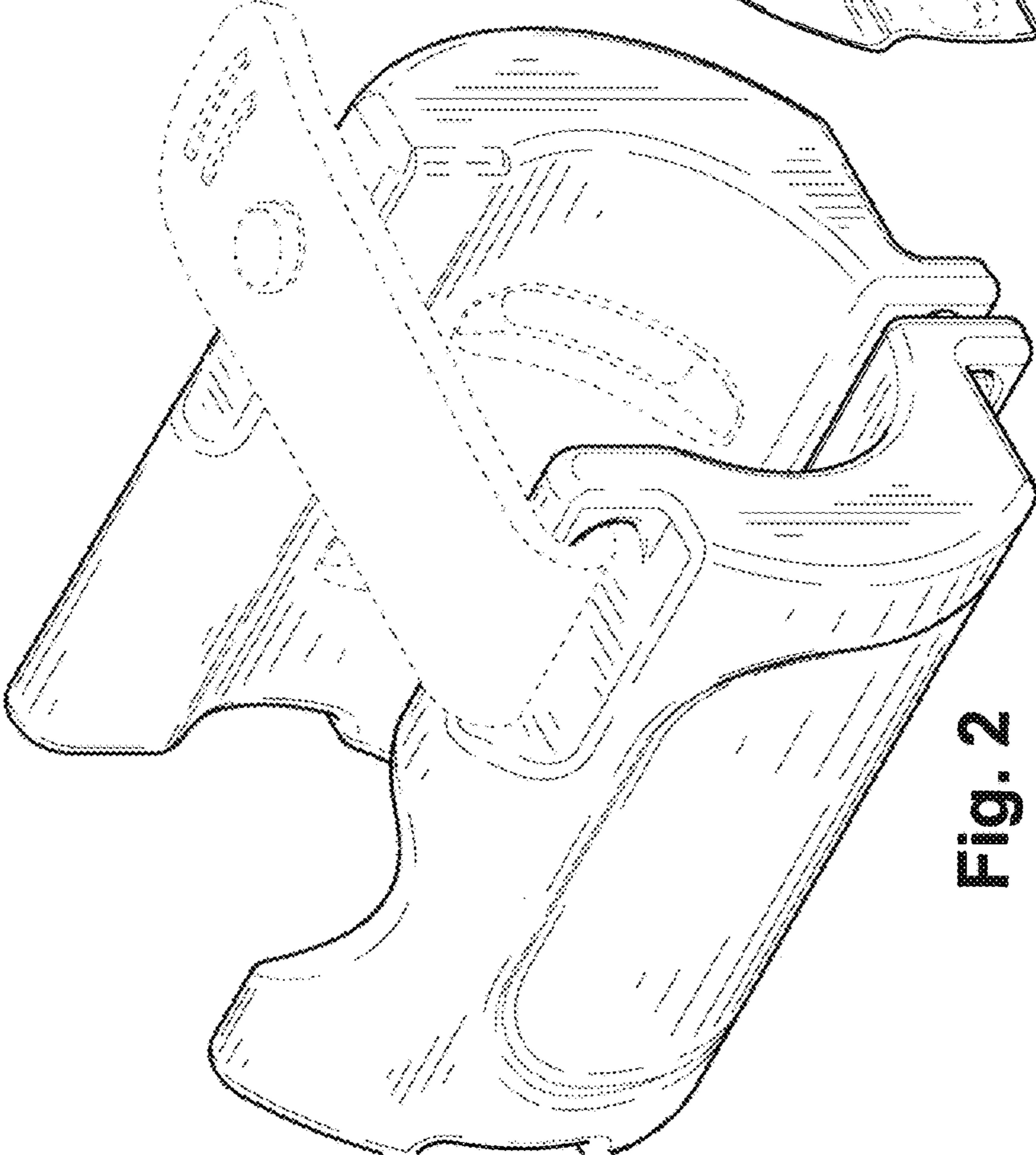


Fig. 2

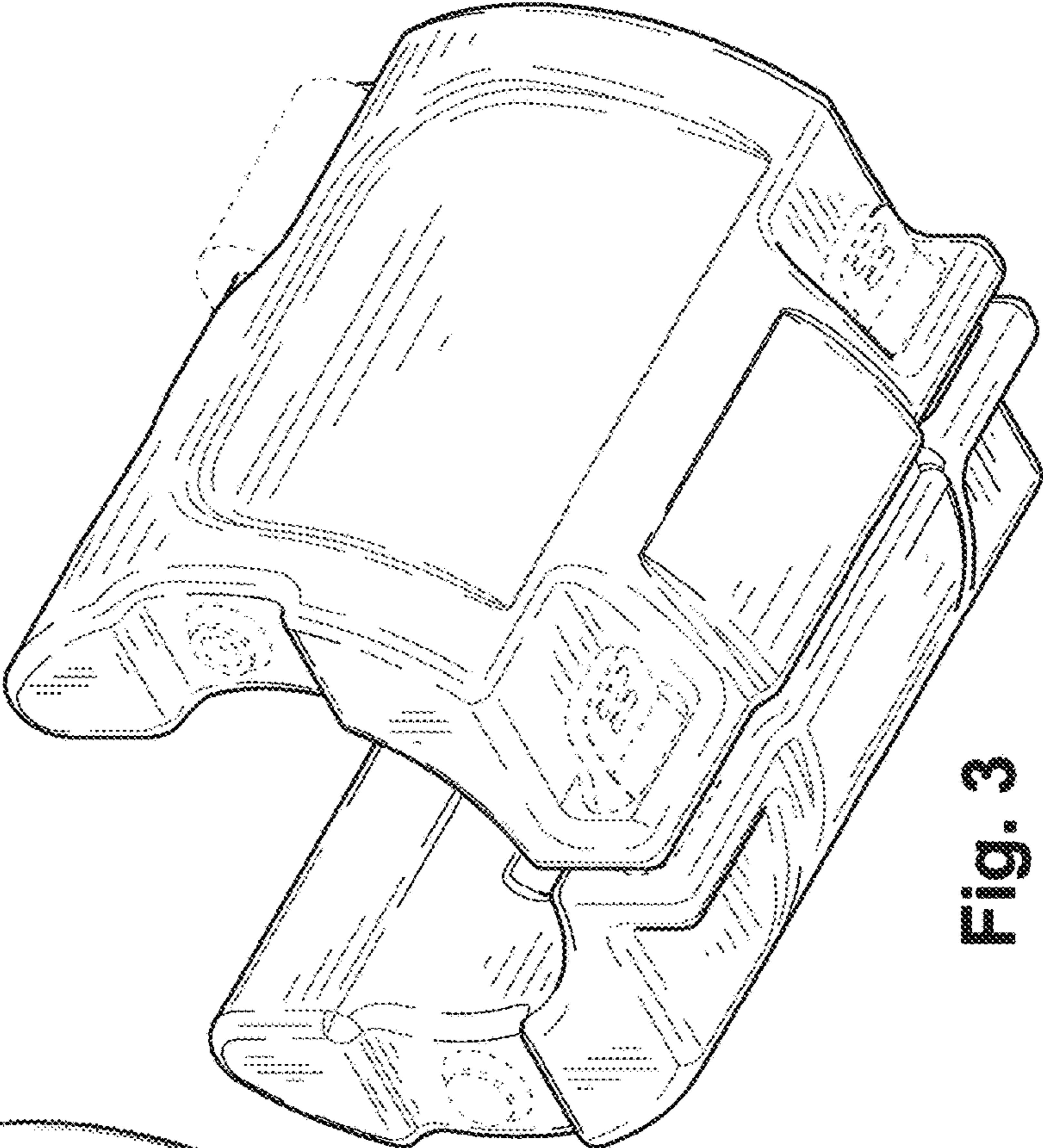


Fig. 3

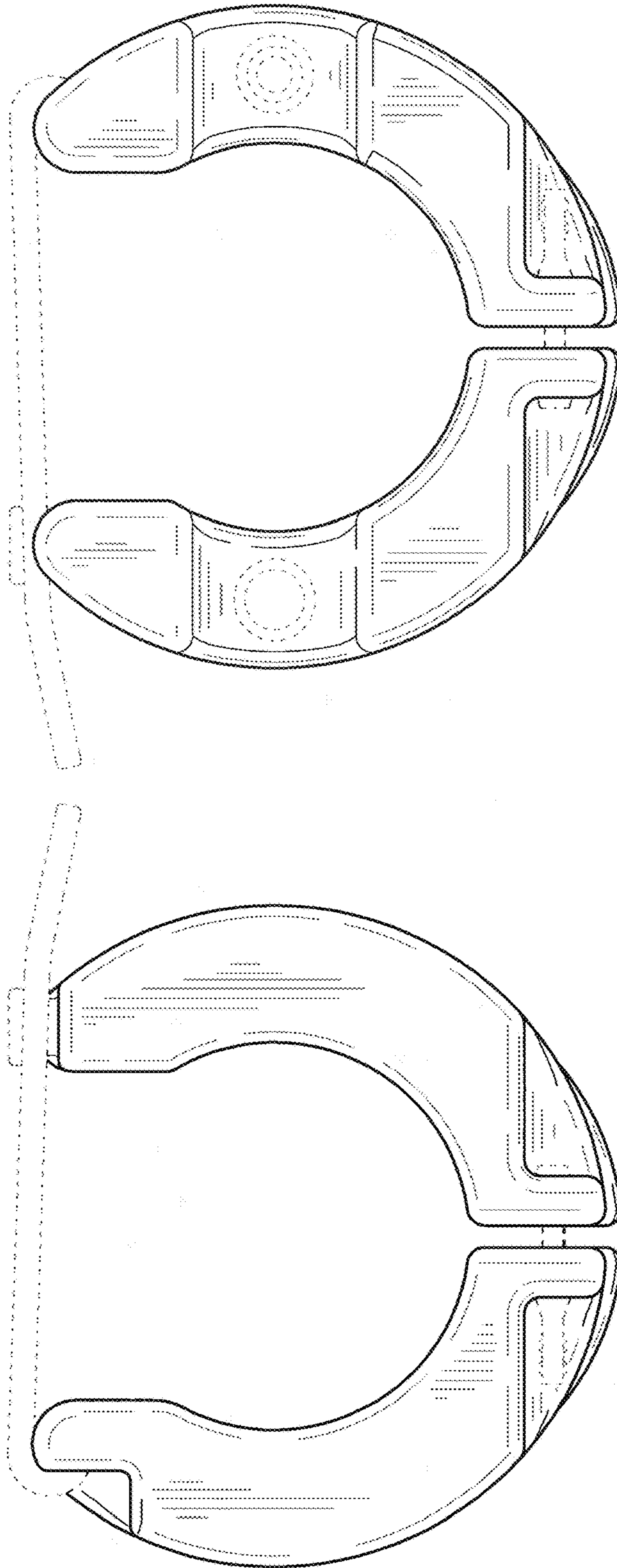


Fig. 5

Fig. 4

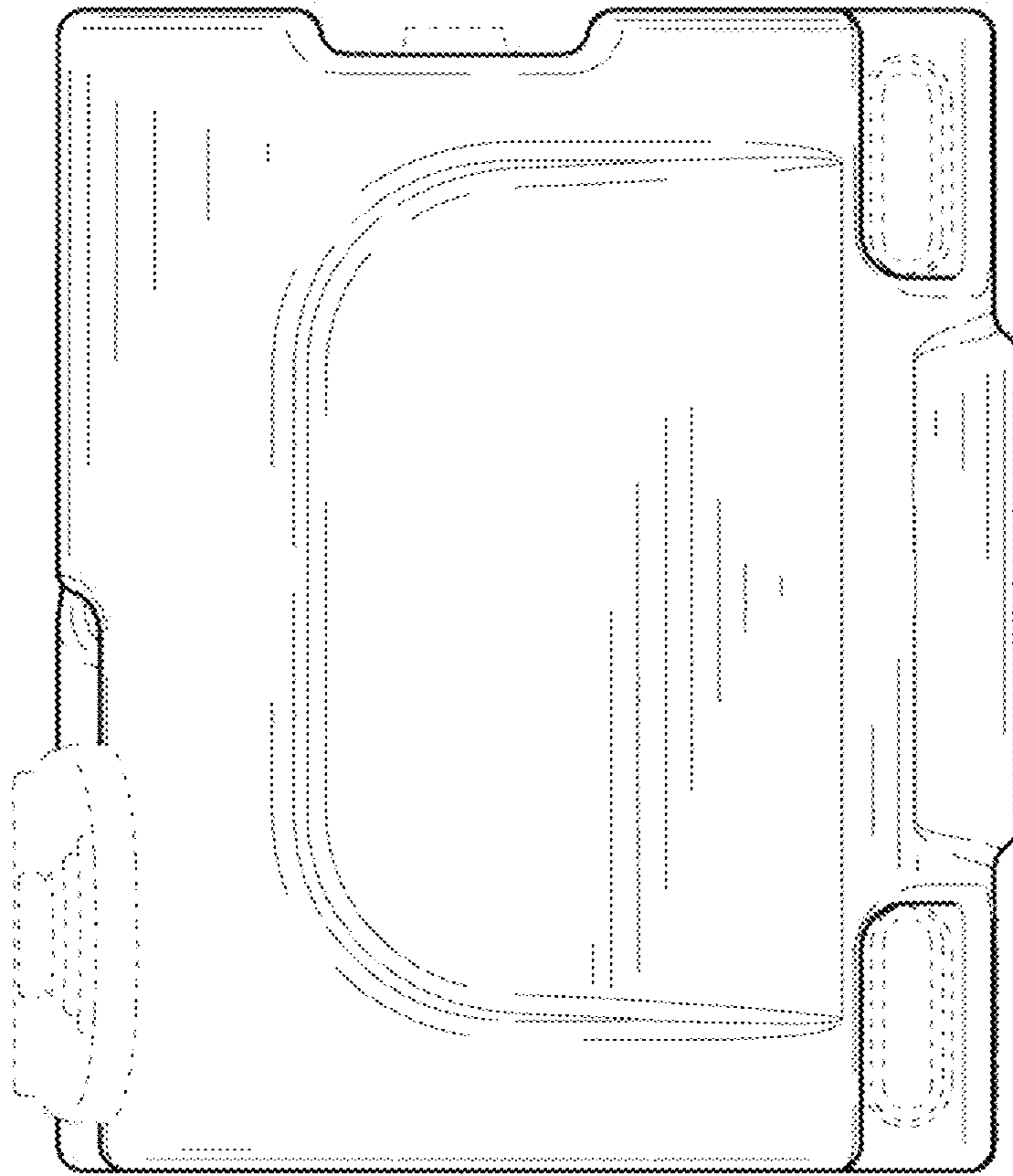


Fig. 7

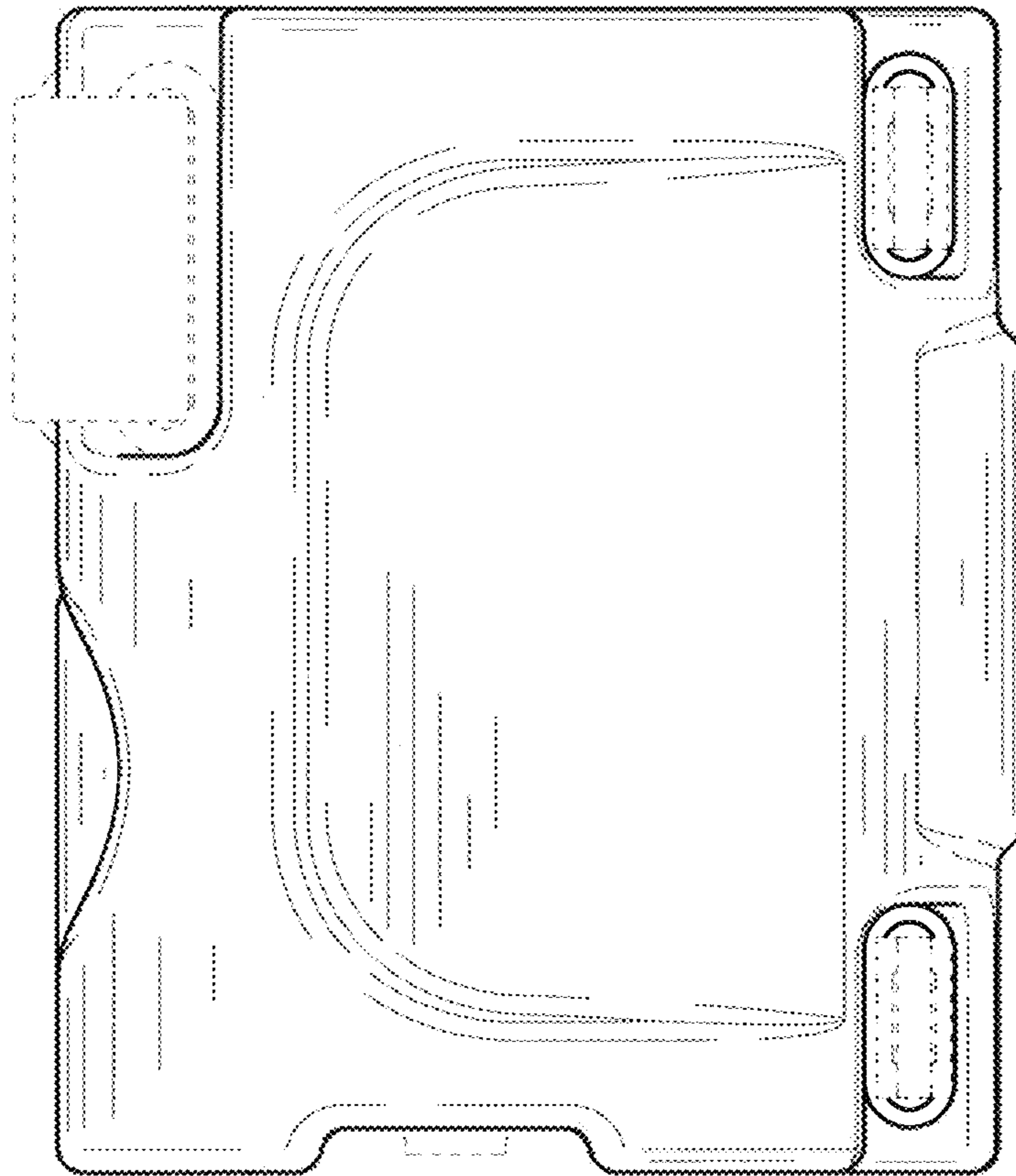


Fig. 6

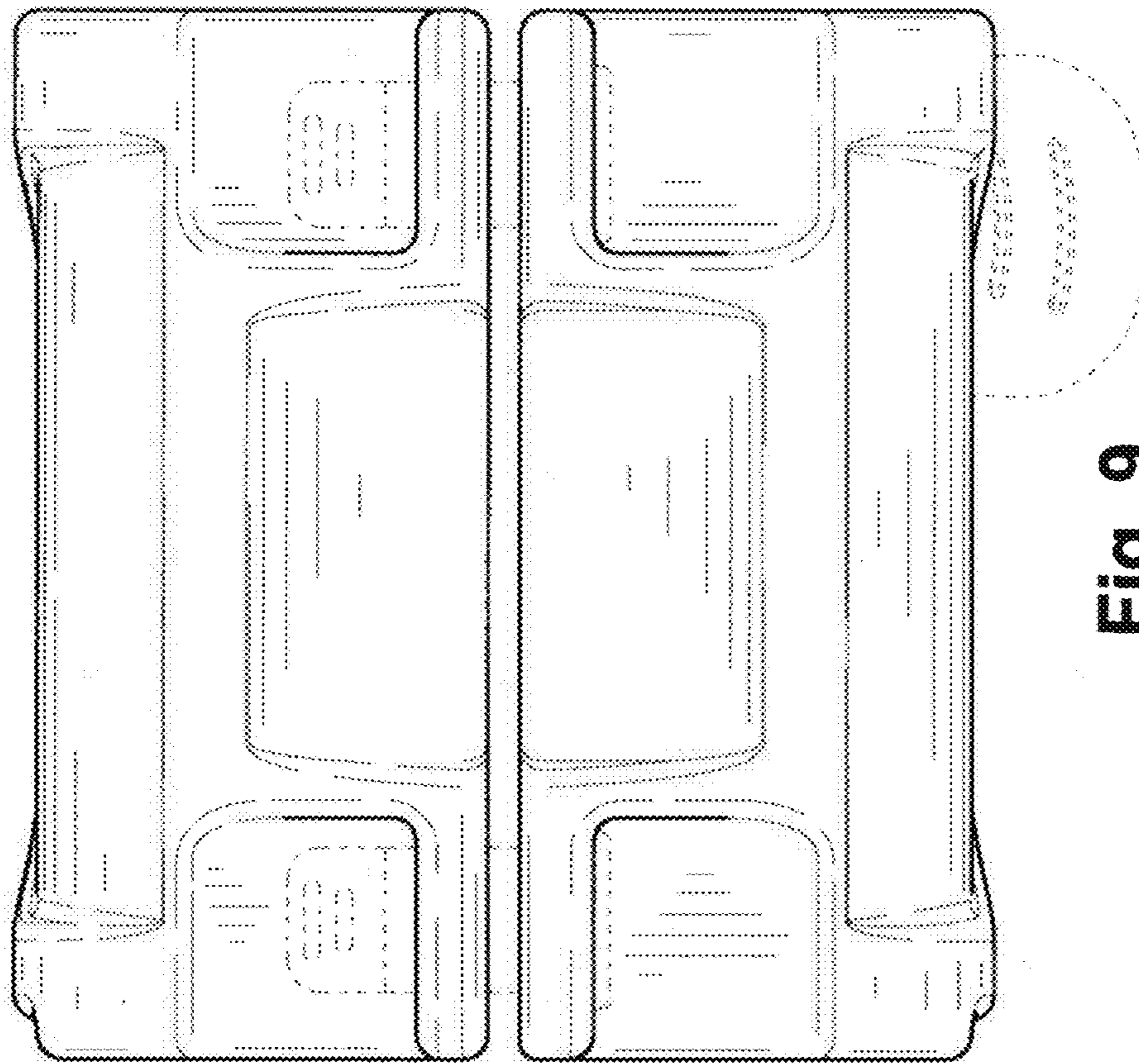


Fig. 9

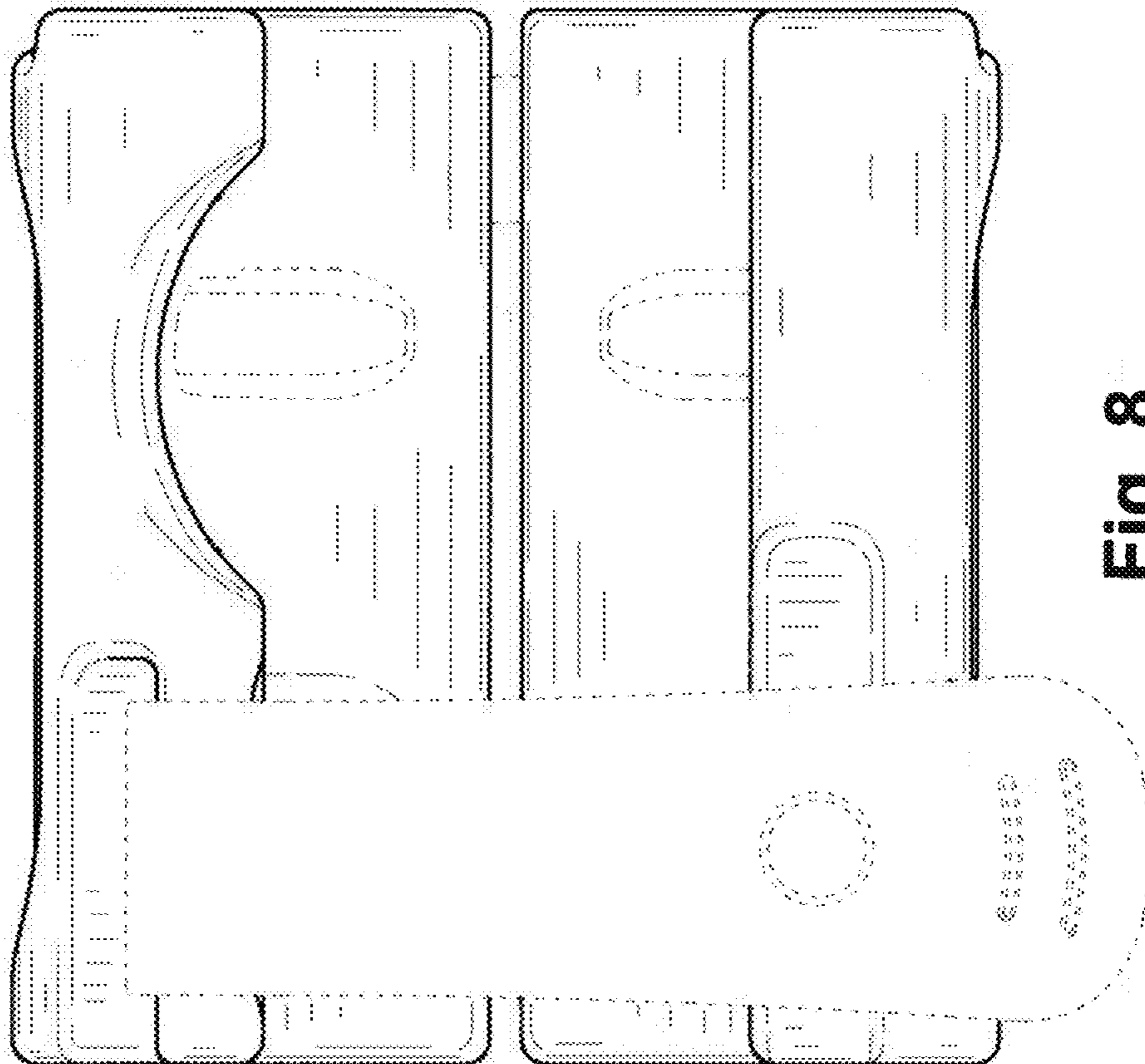


Fig. 8