



US00D901966S

(12) **United States Design Patent**  
**Zhang**

(10) **Patent No.:** **US D901,966 S**

(45) **Date of Patent:** **\*\* Nov. 17, 2020**

(54) **PORTABLE FOOD HEATER**

FOREIGN PATENT DOCUMENTS

(71) Applicant: **Hunan Cipeng E-Commerce Co., Ltd.**, Changsha (CN)

EP 1985566 A2 \* 10/2008 ..... F24C 15/104

(72) Inventor: **Lingjie Zhang**, Changsha (CN)

OTHER PUBLICATIONS

(\*\*) Term: **15 Years**

Techwood Hot Plate Electric Stove Portable Single Burner Countertop Infrared Cooktop, announced © 2020 [online], retrieved Sep. 25, 2020, retrieved from internet, <https://www.sears.com/techwood-twes-3105-techwood-hot-plate-electric-stove/p-A065462423>.  
Bon Chef 12092 Chafer Dish/Heating Plate w/ Fixed Temperature, announced © 2001-2020 [online], retrieved Sep. 25, 2020, retrieved from internet, <https://www.katom.com/017-12092.html>.  
Showfest® Bowls, no announcement date [online], retrieved Sep. 25, 2020, <https://www.cambro.com/Products/display-and-serving/showfest-bowls/>.

(21) Appl. No.: **29/688,235**

(22) Filed: **Apr. 19, 2019**

(51) **LOC (12) Cl.** ..... **07-02**

(52) **U.S. Cl.**

USPC ..... **D7/363**

(58) **Field of Classification Search**

USPC ..... D7/323, 338, 352, 354, 355, 356, 357, D7/358, 359, 360, 361, 362, 363, 364, D7/365, 366, 367, 402, 407, 409; D26/10, 11, 20, 21, 22, 23

CPC .. A21B 3/00; A21B 3/13; A21B 3/131; A21B 3/132; A21B 3/135; A21B 3/136; A21B 3/137; A21B 3/15; A21B 5/00; A21B 5/02; A21B 5/04; A47J 27/00; A47J 36/00; A47J 36/02; A47J 36/06; A47J 36/16; A47J 36/24; A47J 36/022; A47J 36/027; A47J 37/00; A47J 37/01; A47J 37/04; A47J 37/06; A47J 37/10; A47J 37/07; A47J 37/0781; A47J 43/20

See application file for complete search history.

(Continued)

*Primary Examiner* — Dana K Weiland  
*Assistant Examiner* — Messina L Smith

(57)

**CLAIM**

The ornamental design for a portable food heater, as shown and described.

**DESCRIPTION**

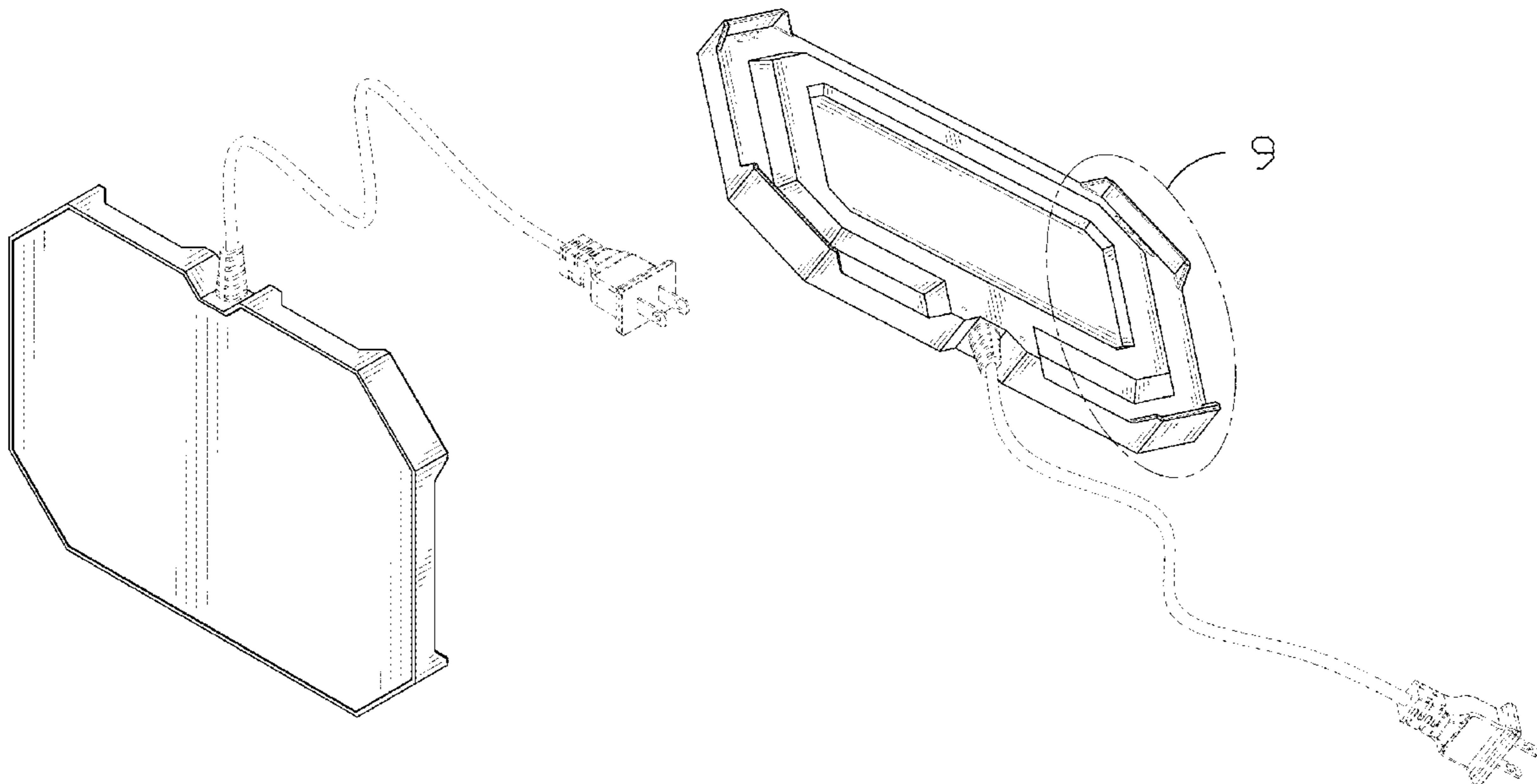
FIG. 1 is a first perspective view of a portable food heater showing my design;  
FIG. 2 is a second perspective view thereof;  
FIG. 3 is a front view thereof;  
FIG. 4 is a back view thereof;  
FIG. 5 is a right side view thereof;  
FIG. 6 is a left side view thereof;  
FIG. 7 is a top view thereof;  
FIG. 8 is a bottom view thereof; and,  
FIG. 9 is an enlarged view of the selected portion in FIG. 2. The broken lines shown in the drawings depict portions of the portable food heater in which the design is embodied that form no part of the claimed design.

**1 Claim, 9 Drawing Sheets**

(56) **References Cited**

U.S. PATENT DOCUMENTS

D434,601 S	*	12/2000	Lewis	.....	D7/407
D469,298 S	*	1/2003	Hinton	.....	D7/332
D643,674 S	*	8/2011	Lee	.....	D7/363
D833,208 S	*	11/2018	Yang	.....	D7/363
D854,370 S	*	7/2019	Xie	.....	D7/360



(56)

**References Cited**

OTHER PUBLICATIONS

FINEX Seasoned Cast Iron Double Burner Griddle, announced © 2020 [online], retrieved Sep. 25, 2020, <https://www.williams-sonoma.com/products/finex-seasoned-cast-iron-double-burner-griddle/>.\*

Carlisle® 608901 Celebration™ Octagonal Tray, announced © 2020 [online], retrieved Sep. 25, 2020, <https://www.wasserstrom.com/restaurant-supplies-equipment/carlisle%C2%AE-608901-celebration%C2%99-octagonal-tray-580959>.\*

\* cited by examiner

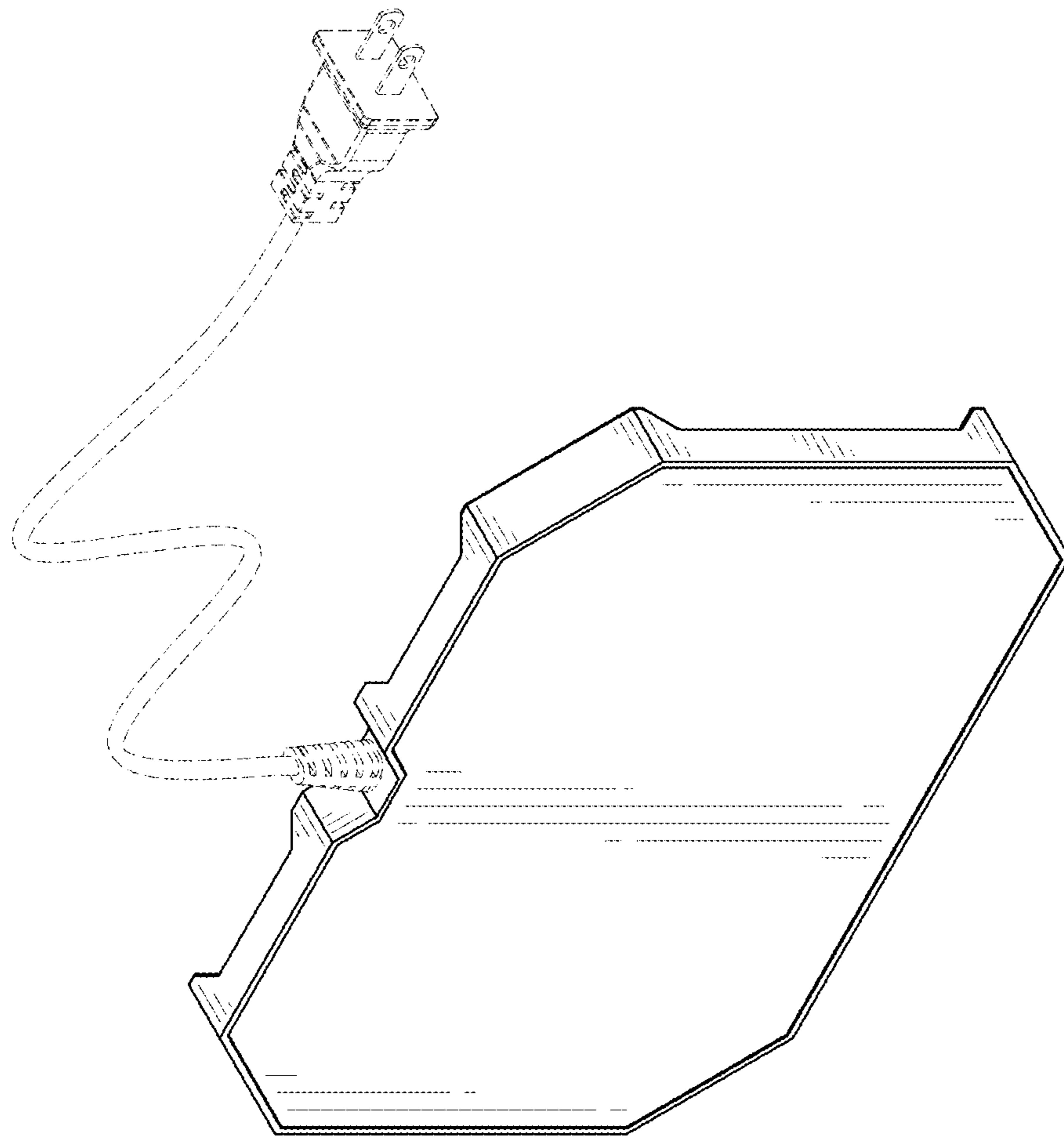


FIG. 1

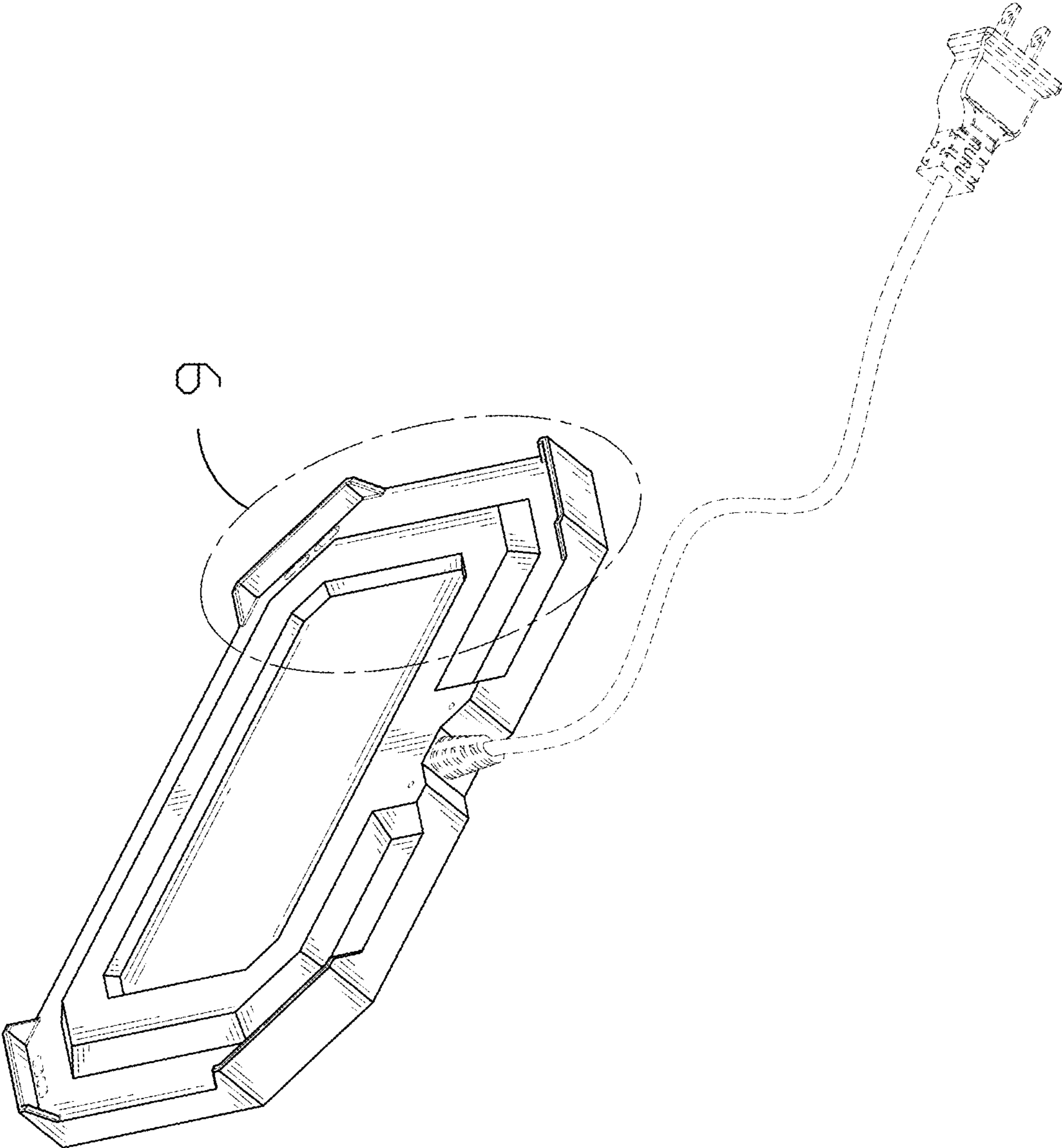


FIG. 2

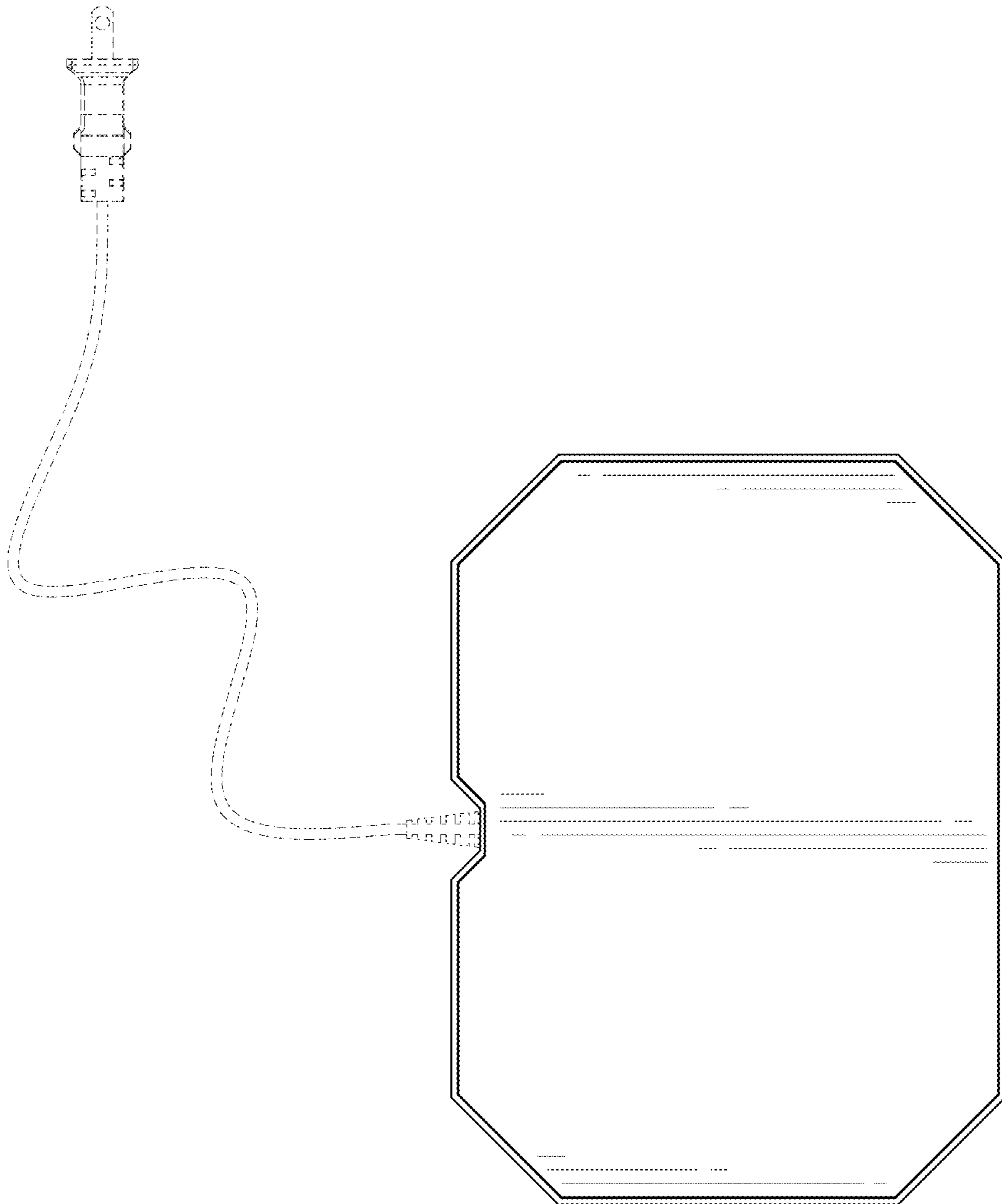


FIG. 3

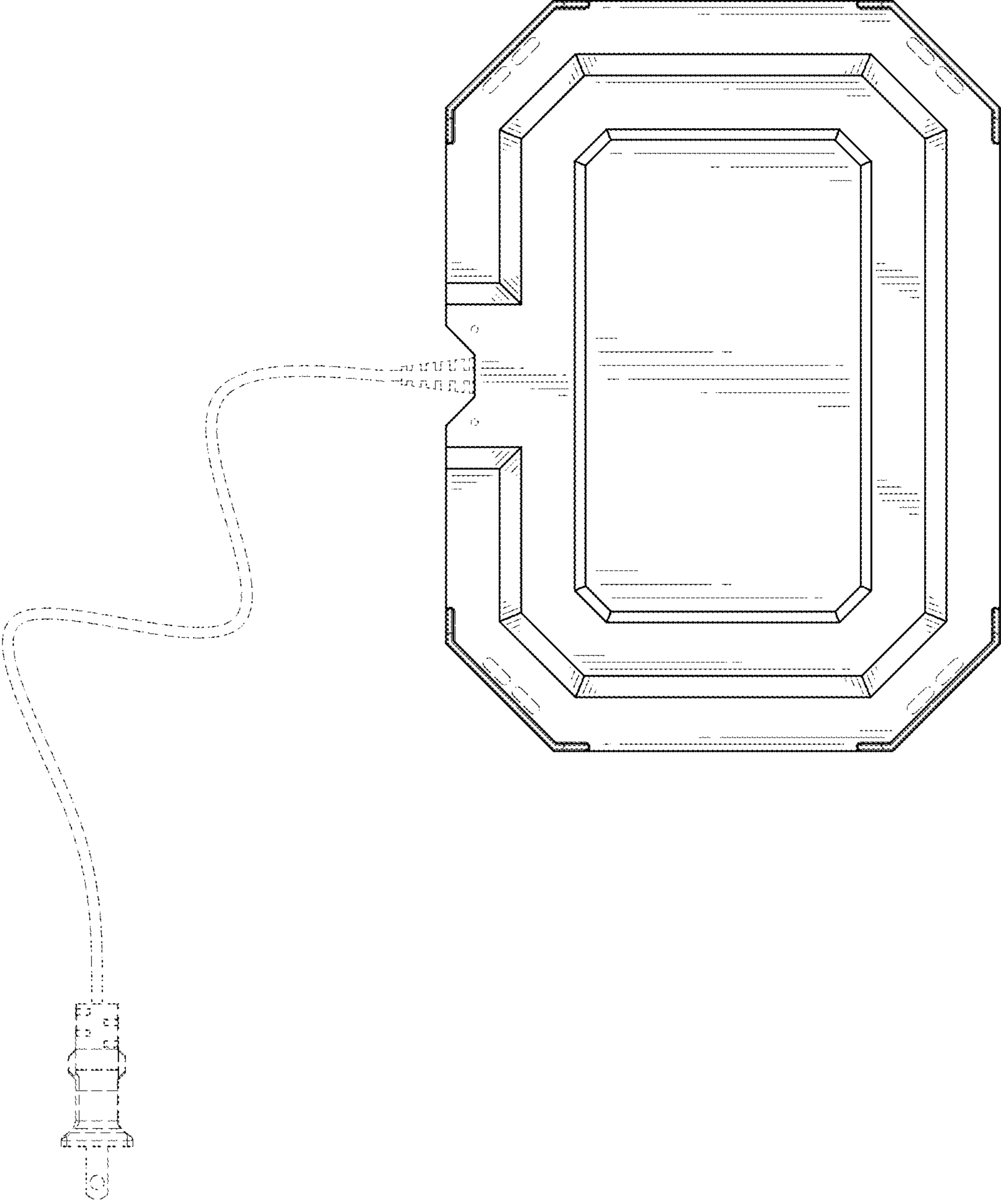


FIG. 4



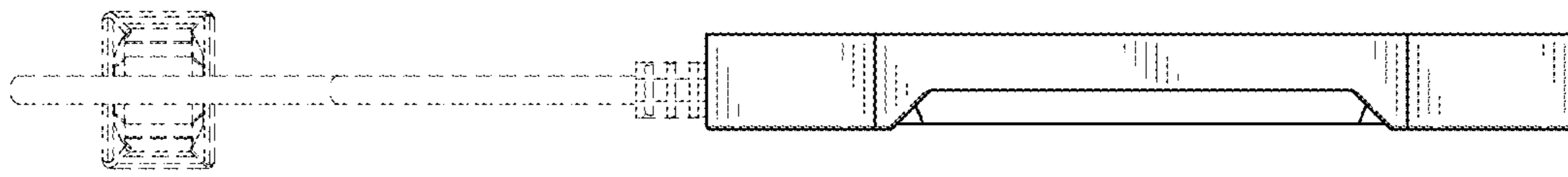


FIG. 5

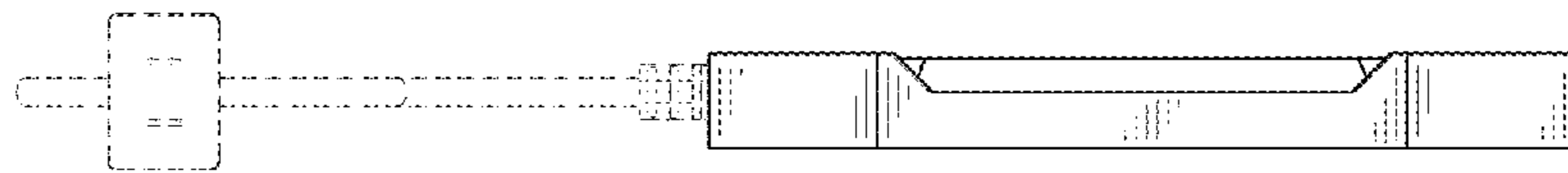


FIG. 6



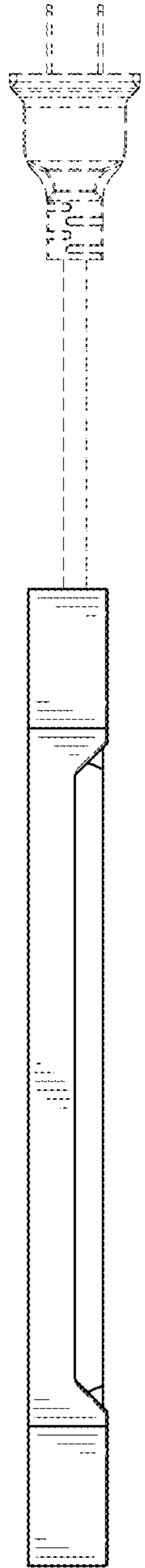


FIG. 7

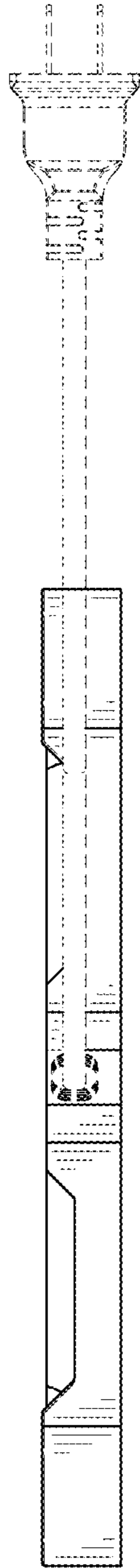


FIG. 8

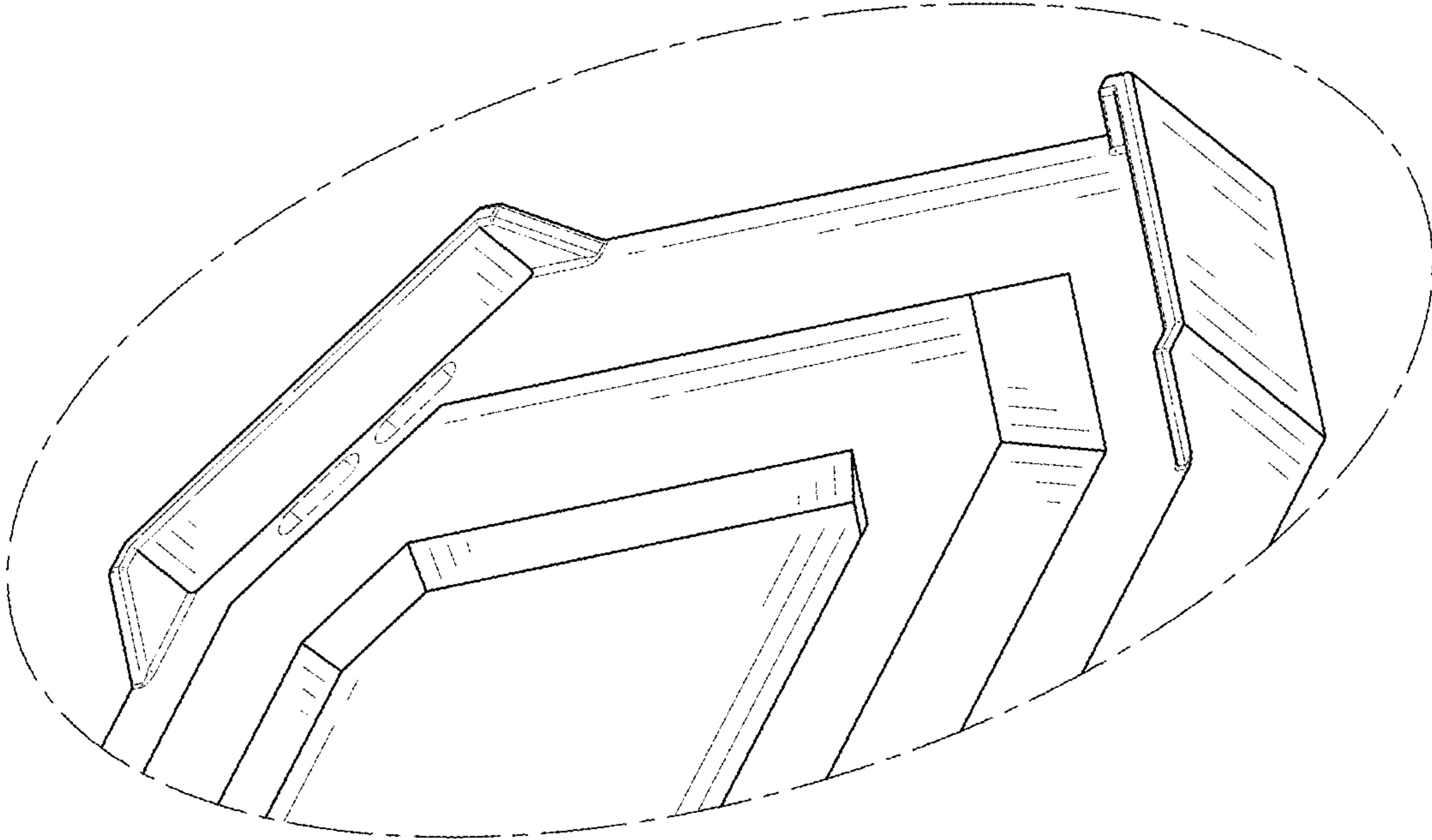


FIG. 9